



US00D919423S

(12) **United States Design Patent**  
**Eldridge**

(10) **Patent No.:** **US D919,423 S**

(45) **Date of Patent:** **\*\* May 18, 2021**

(54) **INCENSE CARTON**

(71) Applicant: **Thomas Stephen Eldridge**, Portland,  
OR (US)

(72) Inventor: **Thomas Stephen Eldridge**, Portland,  
OR (US)

(\*\*) Term: **15 Years**

(21) Appl. No.: **29/664,145**

(22) Filed: **Sep. 21, 2018**

(30) **Foreign Application Priority Data**

Mar. 21, 2018 (EM) ..... 004901510-0001

(51) **LOC (13) Cl.** ..... **09-03**

(52) **U.S. Cl.**

USPC ..... **D9/416**; D9/432; D11/131.1

(58) **Field of Classification Search**

USPC ..... D9/414-434, 456-457, 499, 737,  
D9/748-749, 756, 758-761; D11/131.1

See application file for complete search history.

(56) **References Cited**

U.S. PATENT DOCUMENTS

D34,065 S *	2/1901	Crane	.....	D9/432
3,814,236 A *	6/1974	Keilman	.....	B65D 1/36 206/338
D235,345 S *	6/1975	Fields	.....	D11/131.1
D253,548 S *	11/1979	Gruber	.....	D11/131.1
4,275,746 A *	6/1981	Gruber	.....	A24F 3/00 131/178
D264,869 S *	6/1982	Gordon	.....	B65D 5/42 D11/131.1
5,873,370 A *	2/1999	Towle	.....	A24F 19/10 131/190
D447,685 S *	9/2001	Chagnon	.....	A24F 19/10 D9/416

6,302,270 B1 \* 10/2001 Diaz ..... B65D 5/42  
206/418

D455,958 S \* 4/2002 Burrus ..... A24F 3/00  
D9/433

D479,685 S \* 9/2003 Zanchetta ..... D9/433

D769,115 S \* 10/2016 Shimizu ..... D9/432

D787,324 S \* 5/2017 Sotka ..... B65D 1/36  
D9/433

D788,580 S \* 6/2017 Hainaut ..... D9/432

\* cited by examiner

*Primary Examiner* — Sandra L Morris

(74) *Attorney, Agent, or Firm* — Bryan R. Rosiejka

(57) **CLAIM**

The ornamental design for an incense carton, as shown and described.

**DESCRIPTION**

FIG. 1 is a perspective view showing the incense carton design comprising a lid and two apertures, wherein the inventive incense carton is in a closed (i.e., unopened) configuration;

FIG. 2 is a perspective view showing the incense carton design wherein the lid is in an opened position, with end portions depicted as environmental structure;

FIG. 3 is a side view of FIG. 2;

FIG. 4 is a front view of FIG. 2;

FIG. 5 is a rear view of FIG. 2;

FIG. 6 is a top view of FIG. 2;

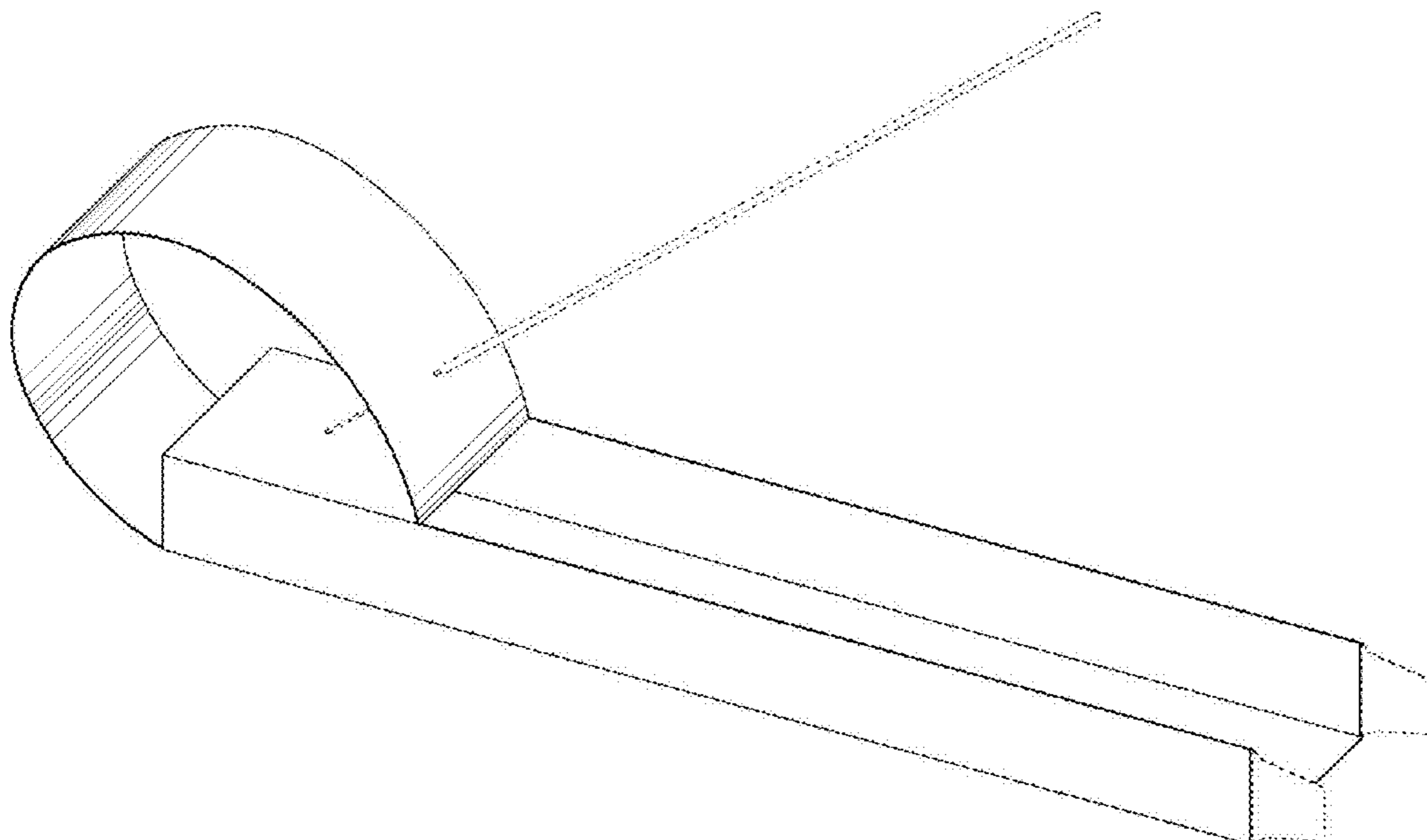
FIG. 7 is a bottom view of FIG. 2;

FIG. 8 is a perspective view of FIG. 2, and optionally having an incense stick depicted as environmental structure disposed within the two apertures; and,

FIG. 9 is a perspective view of FIG. 2 showing optional perforations on the lid.

The portions shown in broken lines are for illustrative purpose only and form no part of the claimed design.

**1 Claim, 5 Drawing Sheets**



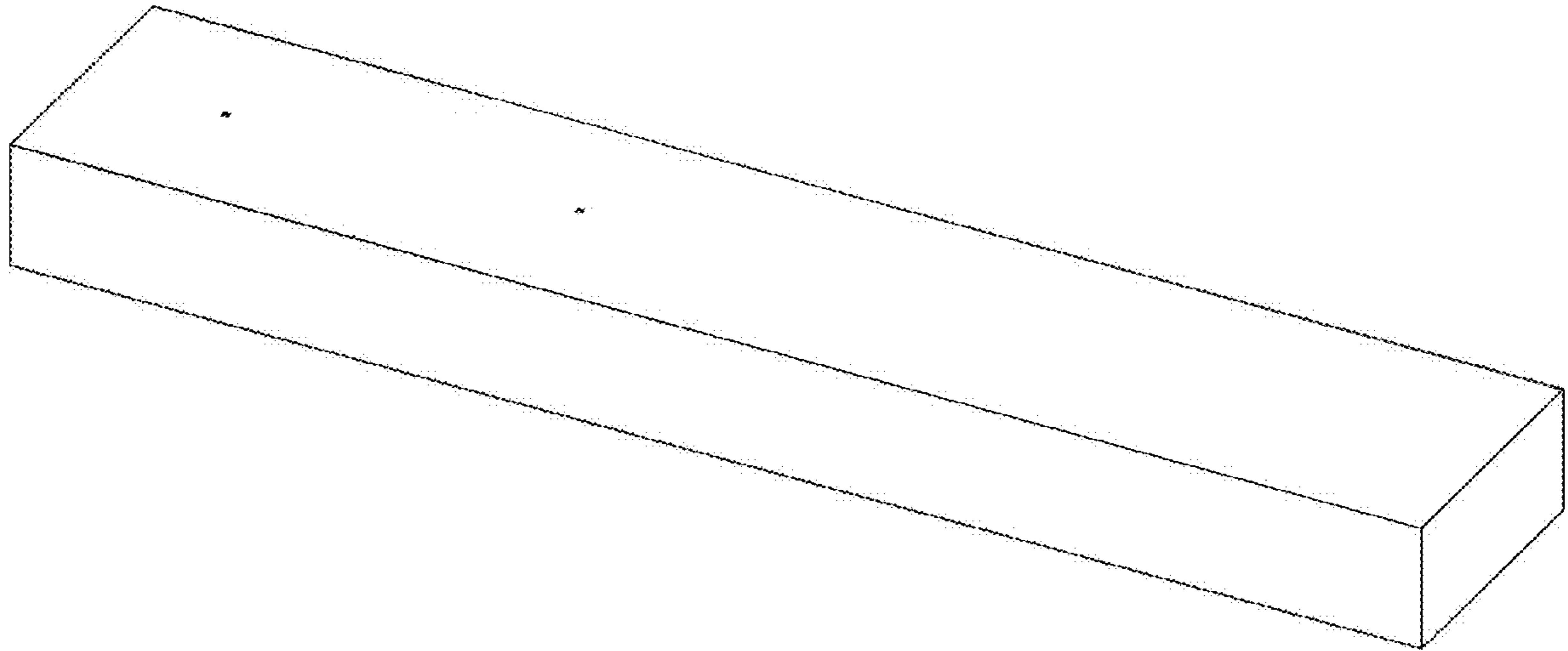


Fig. 1

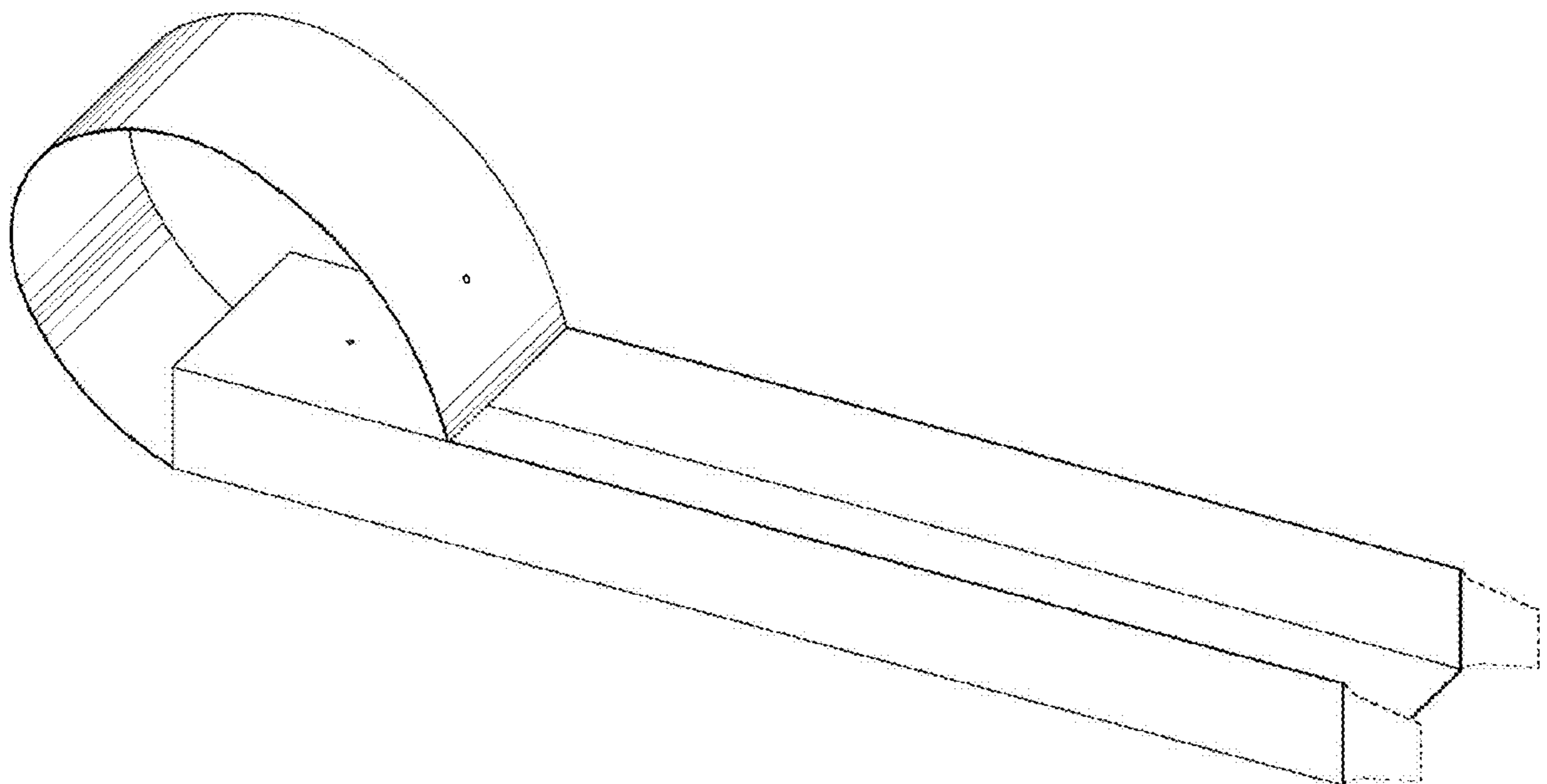


Fig. 2

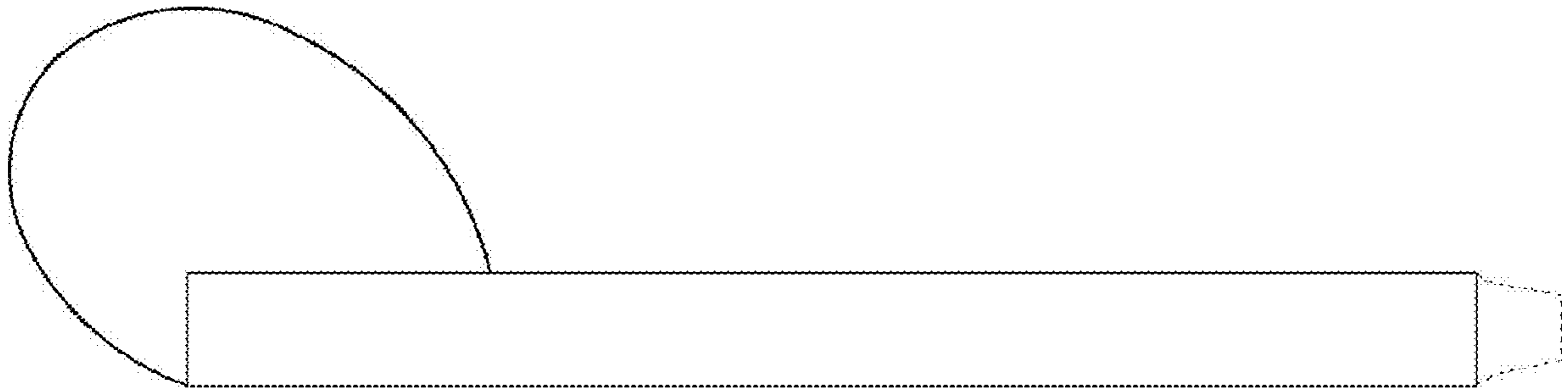


Fig. 3

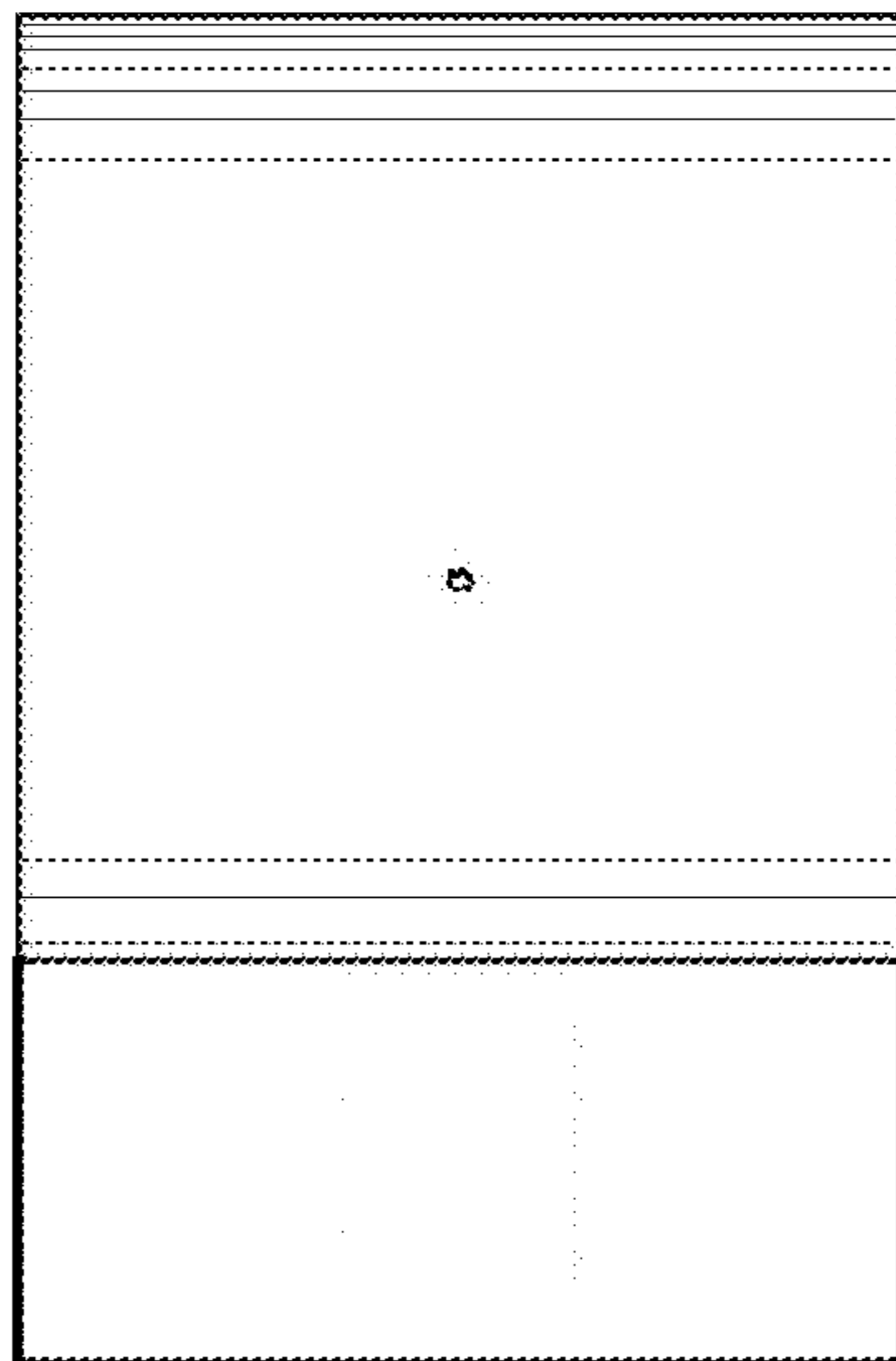


Fig. 4

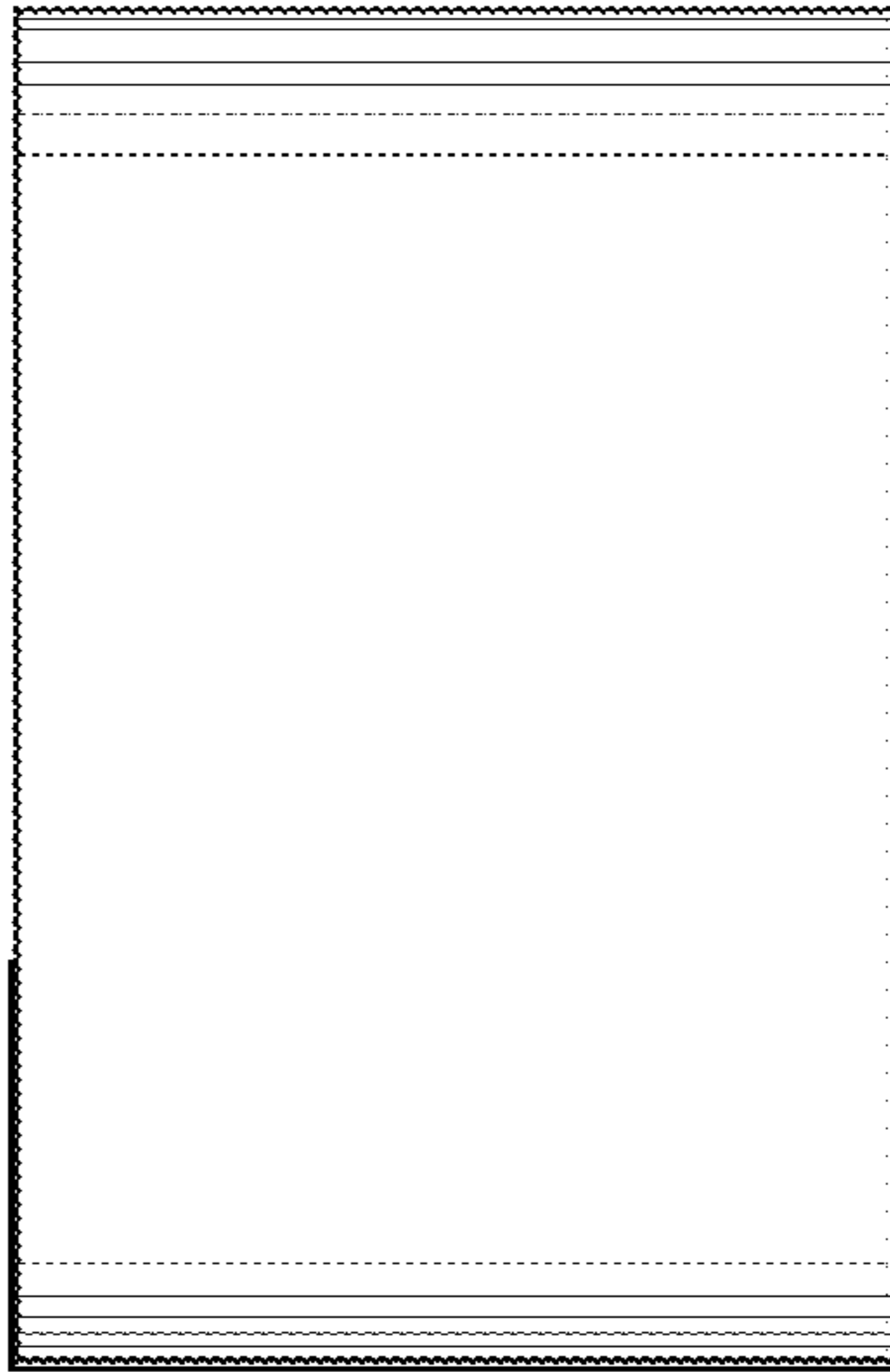


Fig. 5



Fig. 6

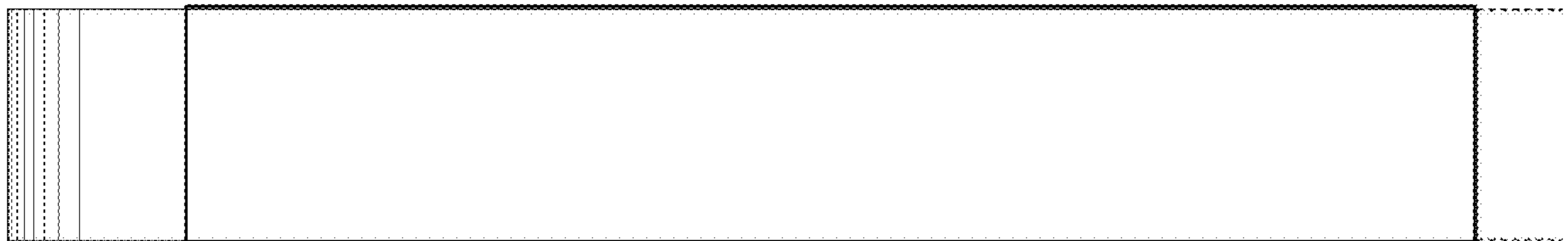


Fig. 7

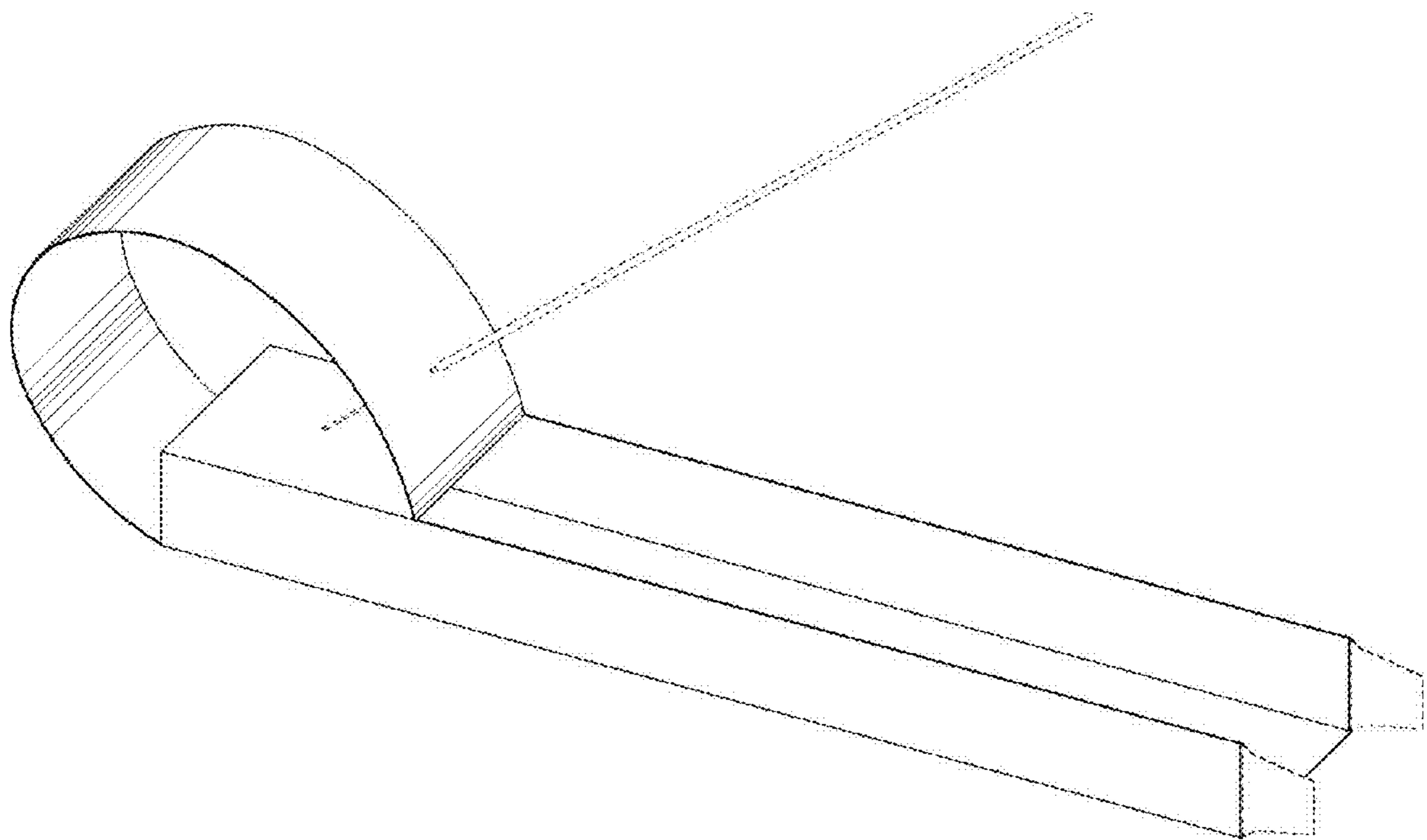


Fig. 8

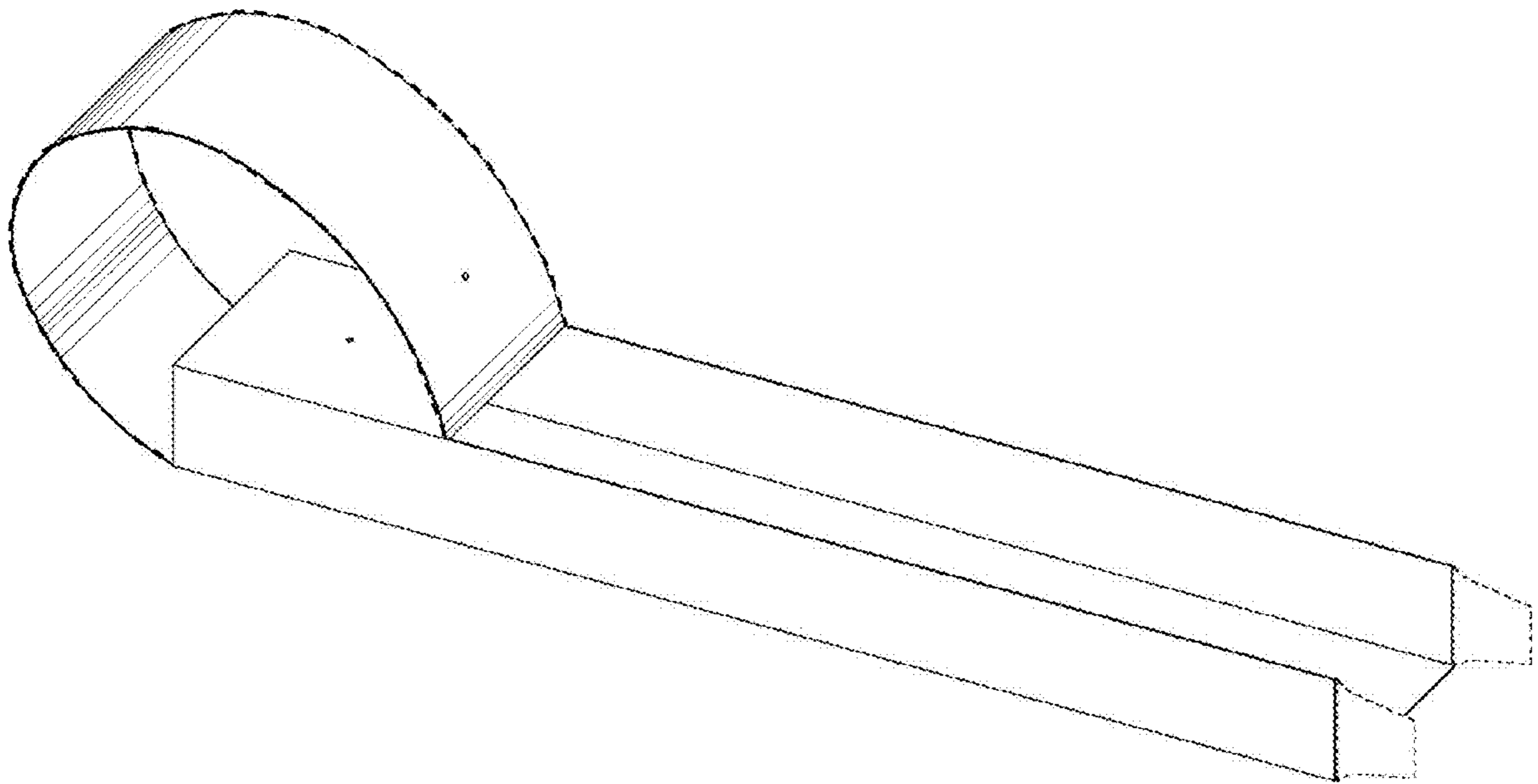


Fig. 9