



US00D919421S

(12) **United States Design Patent** (10) **Patent No.:** **US D919,421 S**
Park et al. (45) **Date of Patent:** **** May 18, 2021**

(54) **LATCH FOR LOCKING QUICK CONNECTOR**

(71) Applicant: **Yushin Precision Industrial Co., Ltd.**, Incheon (KR)

(72) Inventors: **Jin Sung Park**, Bucheon-si (KR); **Si Hyun Cho**, Incheon (KR); **Young Sang Yun**, Incheon (KR); **Jae Hi Kim**, Incheon (KR)

(73) Assignee: **Yushin Precision Industrial Co., Ltd.**

(**) Term: **15 Years**

(21) Appl. No.: **29/699,399**

(22) Filed: **Jul. 25, 2019**

(30) **Foreign Application Priority Data**
 Mar. 8, 2019 (KR) 30-2019-0010399

(51) **LOC (13) Cl.** **08-08**

(52) **U.S. Cl.**
 USPC **D8/394**; D8/382; D8/395

(58) **Field of Classification Search**
 USPC D8/349, 382-399, 72, 347, 343, 331, D8/344, 345, 348, 342, 330, 14, 71, 73, D8/367, 354, 396, 499; 24/710.5, 711, 24/336, 338, 297, 463, 270, 273; 227/67, 227/68; 248/74.2, 74.3, 316.7; 285/364, 285/365, 406, 409; 454/333
 CPC A41H 37/008; A43D 100/08; A44B 1/185; A44B 9/02; Y10T 24/4689; Y10T 24/24; A45D 8/16; A45D 8/22; A45D 8/26; A41D 13/0562; A41D 27/202; A45C 7/0027; B21D 53/52; B21F 45/18; B21F 2405/1414;

(Continued)

(56) **References Cited**
 U.S. PATENT DOCUMENTS
 3,301,514 A * 1/1967 Mas Ao Sugaya F16L 3/127
 248/73
 6,010,162 A * 1/2000 Grau F16L 33/035
 285/257

(Continued)

FOREIGN PATENT DOCUMENTS

CN 303708599 * 6/2016
 CN 305007958 * 9/2018

(Continued)

Primary Examiner — Keli L Hill
Assistant Examiner — Sara S Sahneh
 (74) *Attorney, Agent, or Firm* — Schmeiser, Olsen & Watts LLP

(57) **CLAIM**

An ornamental design for a latch for locking a quick connector, as shown and described.

DESCRIPTION

FIG. 1 is a perspective view of a latch for locking a quick connector, in accordance with an embodiment;
 FIG. 2 is a front view of the latch for locking a quick connector of FIG. 1;
 FIG. 3 is a rear view of the latch for locking a quick connector of FIG. 1;
 FIG. 4 is a left side view of the latch for locking a quick connector of FIG. 1;
 FIG. 5 is a right side view of the latch for locking a quick connector of FIG. 1;
 FIG. 6 is a top view of the latch for locking a quick connector of FIG. 1;
 FIG. 7 is a bottom view of the latch for locking a quick connector of FIG. 1; and,

(Continued)

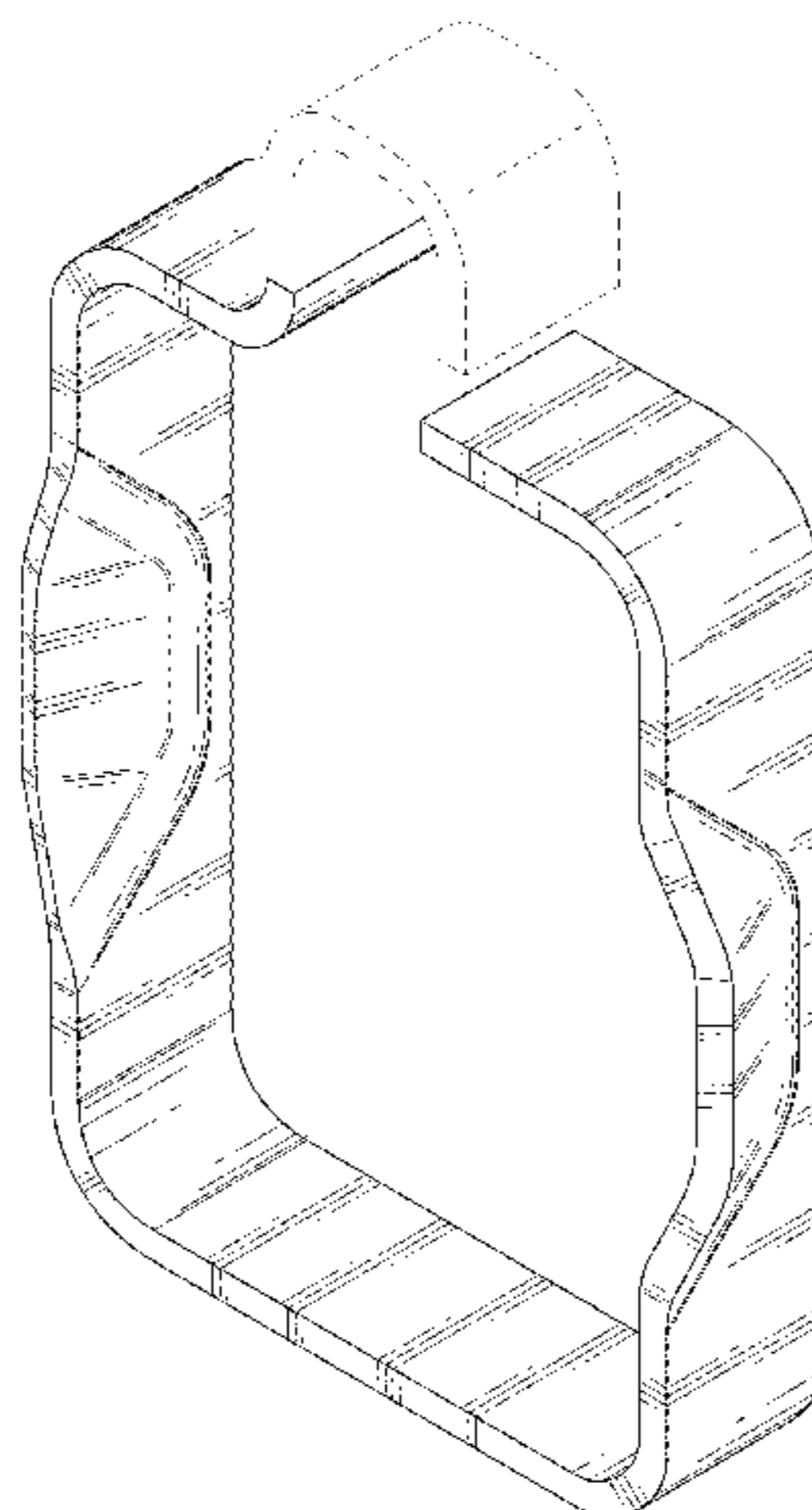


FIG. 8 is a perspective view of the latch for locking a quick connector coupled to a quick connector.

In the drawings, thin lines illustrate surface contours, and broken lines illustrate elements which form no part of the claimed design.

1 Claim, 6 Drawing Sheets

(58) Field of Classification Search

CPC .. B65H 2405/1414; B65H 2402/5153; B65H 2301/51539; B65D 33/2525; B65D 33/25865; A63F 2003/00735; A61M 2005/244; A63H 33/101; A47B 2097/003; E04B 9/205; B01J 2219/30257; F16L 23/036; F16L 23/00; F16L 23/06; F16L 32/18; F16B 2/18; B63H 25/38; B63H 25/382; B25B 5/127

See application file for complete search history.

(56) References Cited

U.S. PATENT DOCUMENTS

D580,748 S * 11/2008 Polak D8/394

D690,583 S * 10/2013 Sendra-Gonzalez F16M 13/02 D8/394
 D736,072 S * 8/2015 Sandman D8/394
 D782,930 S * 4/2017 Takakuwa D10/103
 D851,479 S * 6/2019 Ito D8/349
 D856,790 S * 8/2019 Webb D8/394
 D887,882 S * 6/2020 Machijima D10/103
 D895,775 S * 9/2020 Horning D23/265
 D902,163 S * 11/2020 Ice D13/179
 2004/0200936 A1* 10/2004 Oppertthausen F16L 59/135 248/62
 2018/0283417 A1* 10/2018 Takakuwa F16B 2/08

FOREIGN PATENT DOCUMENTS

EM 000247937-0001 * 10/2004
 JP D1451035 * 4/2012
 KR 300765024.0000 * 10/2013
 KR 300944511.0000 * 4/2017
 MY 10-910-0303-0001 * 7/2015

* cited by examiner

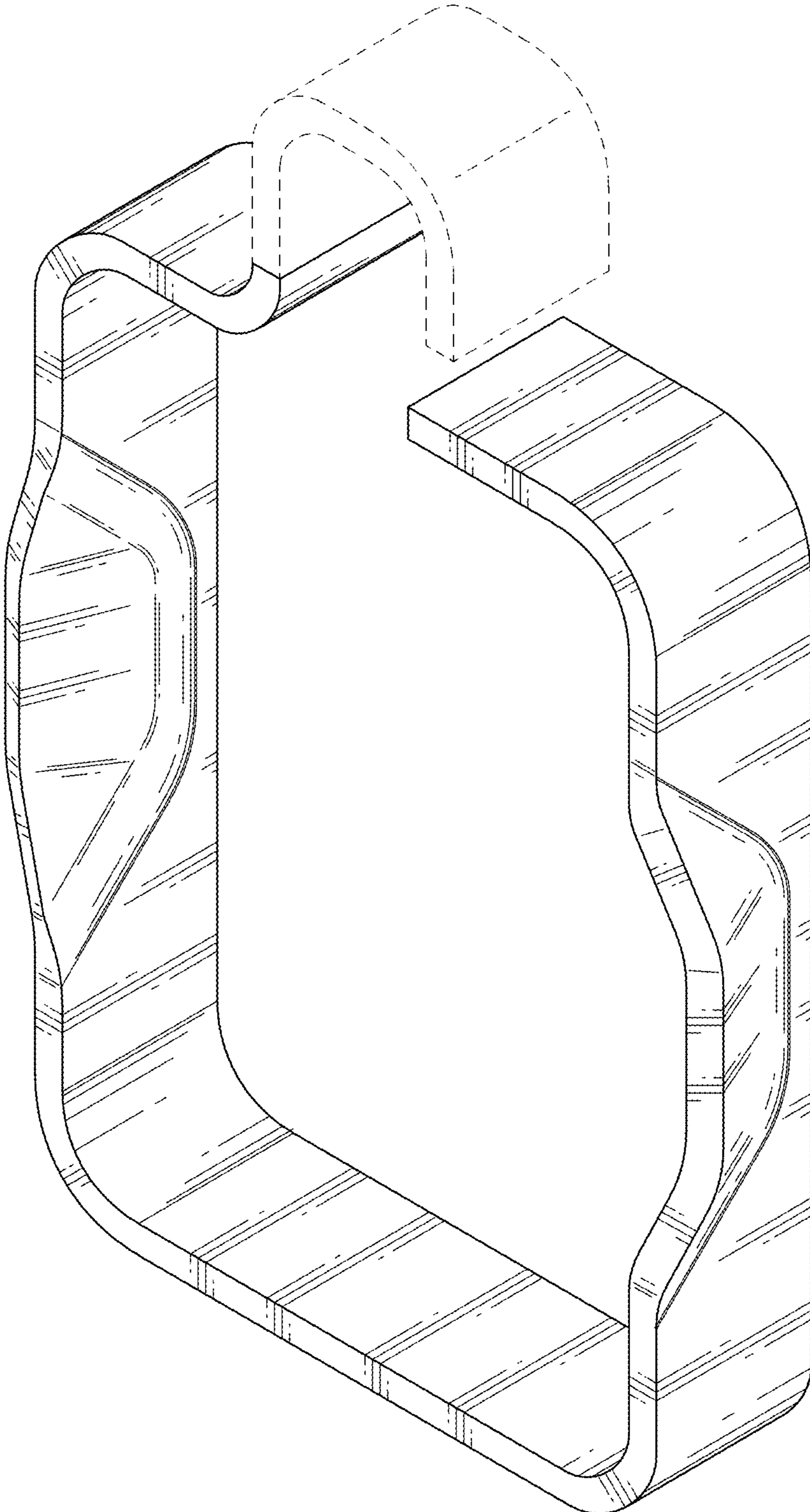


FIG. 1

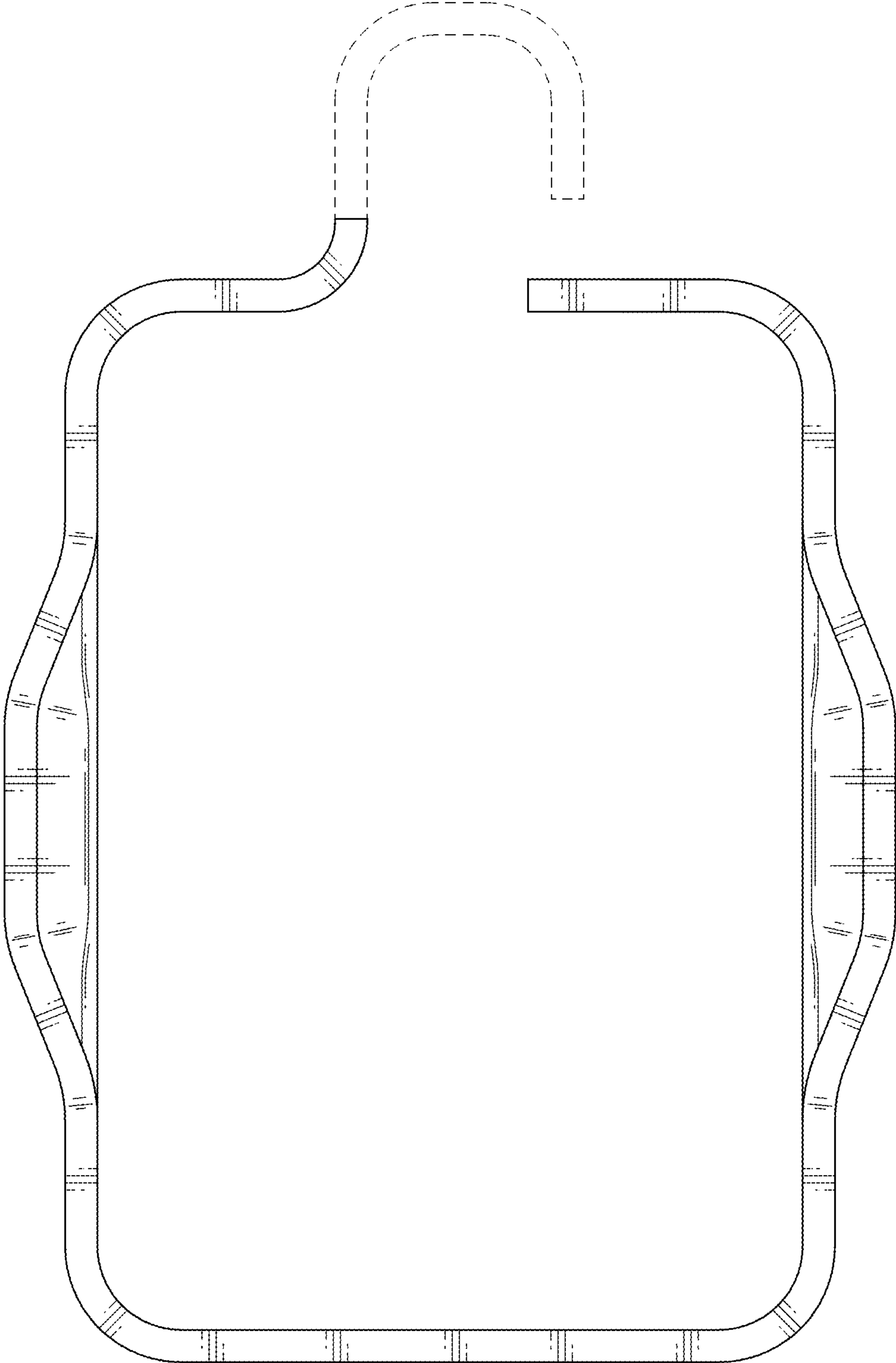


FIG. 2

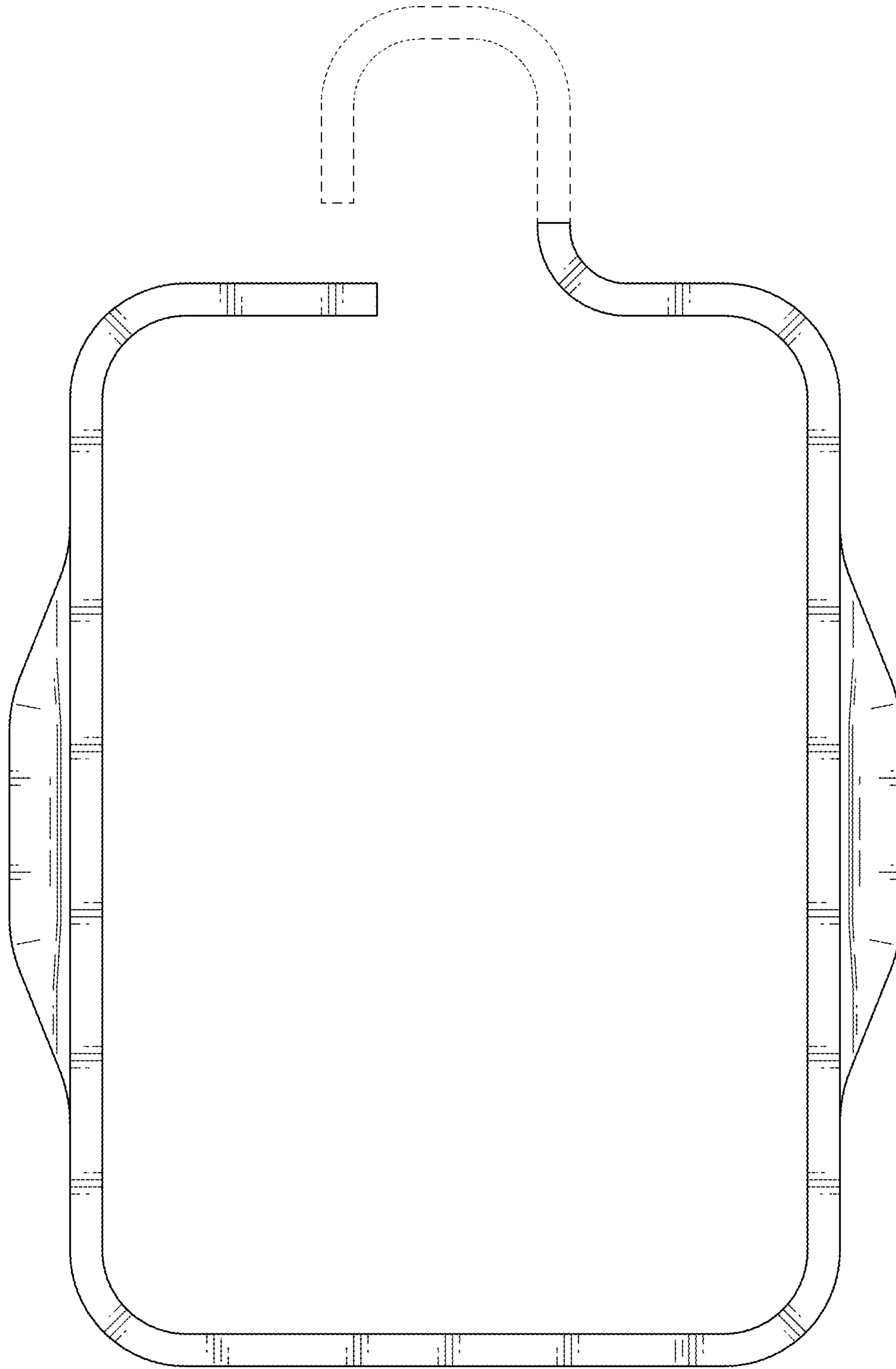


FIG. 3

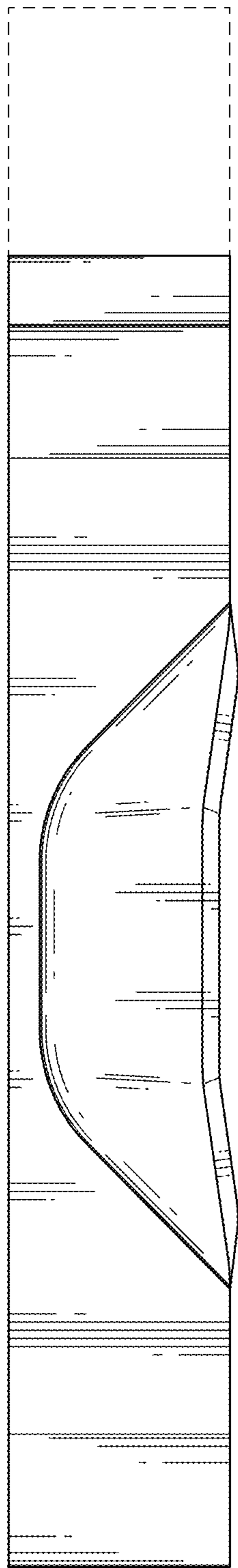


FIG. 4

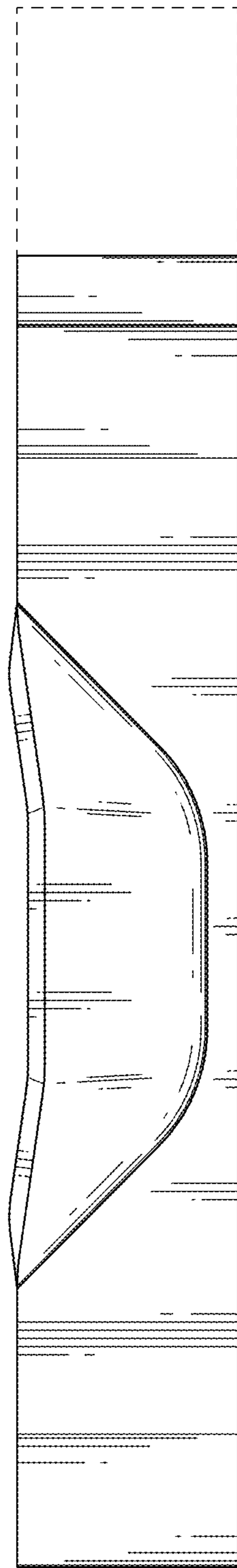


FIG. 5



FIG. 6

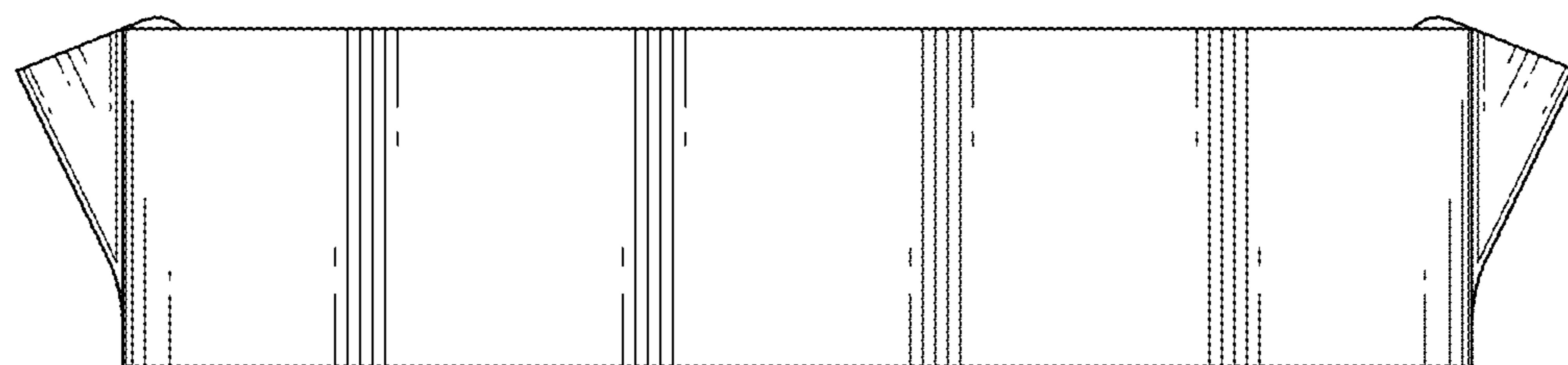


FIG. 7

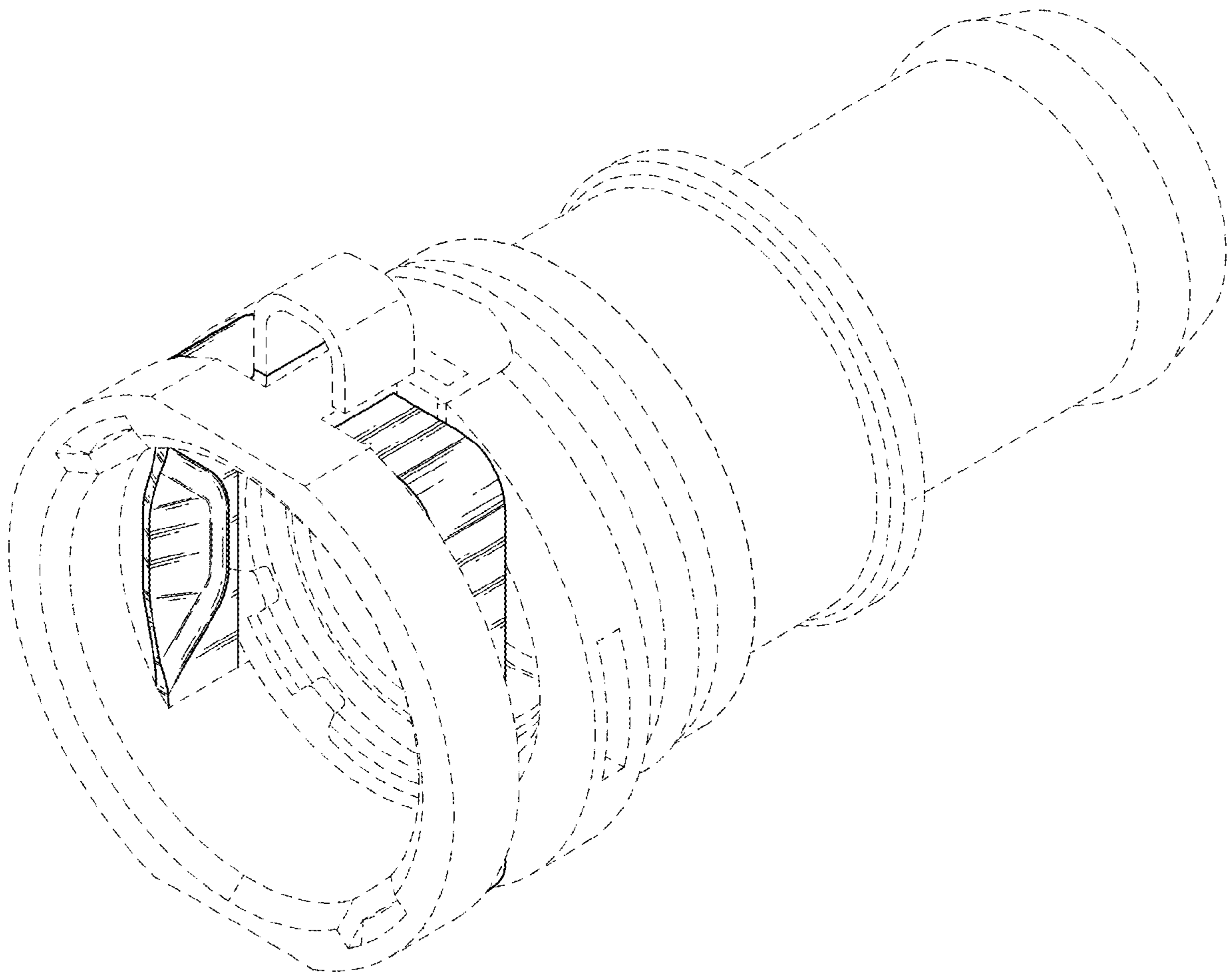


FIG. 8