



US00D919420S

(12) **United States Design Patent** (10) **Patent No.:** **US D919,420 S**
Teffenhart, Jr. (45) **Date of Patent:** **** May 18, 2021**

(54) **CORNER COUPLER**
(71) Applicant: **Thomas Joseph Teffenhart, Jr.**,
Sarasota, FL (US)
(72) Inventor: **Thomas Joseph Teffenhart, Jr.**,
Sarasota, FL (US)
(**) Term: **15 Years**
(21) Appl. No.: **29/654,155**
(22) Filed: **Jun. 21, 2018**
(51) **LOC (13) Cl.** **08-08**
(52) **U.S. Cl.**
USPC **D8/394**
(58) **Field of Classification Search**
USPC D8/354, 382, 394, 395, 396, 499;
D25/119, 121, 126
CPC A23P 10/10; A23G 3/56; A23G 3/343;
A21D 13/24; A21D 13/47
See application file for complete search history.

3,866,364 A 2/1975 Pollard
4,002,000 A 1/1977 Howard et al.
4,027,987 A 6/1977 Berkowitz
4,057,941 A 11/1977 Schwartz
4,112,853 A 9/1978 Tisbo et al.
4,242,969 A 1/1981 Checkwood et al.
D259,083 S * 5/1981 Riegsecker D8/382
4,270,872 A 6/1981 Kiyosawa
4,323,319 A 4/1982 Adams
4,368,998 A 1/1983 Pestoor
4,516,376 A 5/1985 King
4,630,550 A 12/1986 Weitzman
D294,888 S * 3/1988 Kazanowski D6/300
4,774,790 A 10/1988 Hopper
4,987,717 A 1/1991 Dameron, Jr.
(Continued)

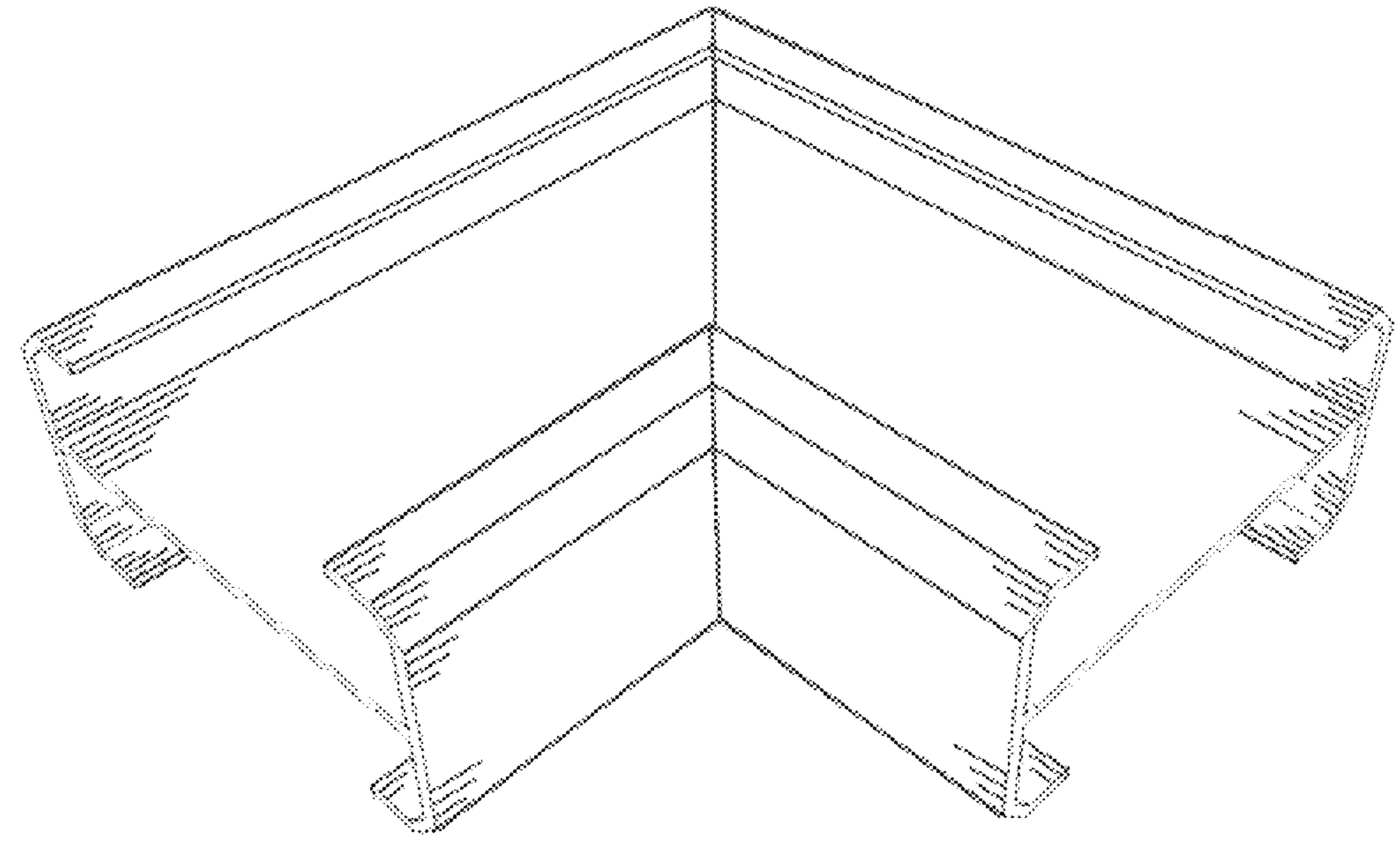
Primary Examiner — John Windmuller
(74) *Attorney, Agent, or Firm* — Jacox, Meckstroth & Jenkins

(57) **CLAIM**
The ornamental design for a corner coupler, as shown and described.

DESCRIPTION
FIG. 1 is a top perspective view of a corner key coupler in accordance with one embodiment of the invention;
FIG. 2 is a bottom perspective view of the corner key coupler of FIG. 1;
FIG. 3 is a front view of the corner key coupler of FIG. 1;
FIG. 4 is a rear or back view of the corner key coupler of FIG. 1;
FIG. 5 is a right side view of the corner key coupler of FIG. 1;
FIG. 6 is a left side view of the corner key coupler of FIG. 1;
FIG. 7 is a top view of the corner key coupler of FIG. 1; and,
FIG. 8 is a bottom view of the corner key coupler of FIG. 1.

1 Claim, 2 Drawing Sheets

(56) **References Cited**
U.S. PATENT DOCUMENTS
1,788,096 A 1/1931 Friedemann
1,997,876 A 4/1935 Sheldon et al.
3,139,960 A 7/1964 Hammitt et al.
3,143,165 A 8/1964 Lewis et al.
3,222,841 A 12/1965 Robert et al.
3,224,154 A 12/1965 Toti et al.
3,332,197 A 7/1967 Hinkle et al.
3,382,639 A 5/1968 Smith et al.
3,413,775 A 12/1968 Katz et al.
3,566,561 A 3/1971 Tozer et al.
3,686,805 A 8/1972 Pofferi
3,711,133 A 1/1973 Werner
3,726,551 A 4/1973 Levenberg
3,830,033 A 8/1974 Gahler
3,831,336 A 8/1974 Diemer



(56)

References Cited

U.S. PATENT DOCUMENTS

| | | | | | | | |
|-----------|-----|---------|-------------------|--------------|------|---------|--|
| 5,031,083 | A | 7/1991 | Claesson | 7,877,962 | B2 | 2/2011 | Teffenhart, Jr. |
| 5,090,164 | A | 2/1992 | Mische | 7,883,288 | B2 | 2/2011 | Jorna |
| D343,309 | S | 2/1994 | Flynn | D636,095 | S | 4/2011 | Teffenhart, Jr. |
| D343,909 | S | 2/1994 | Flynn | D666,743 | S | 9/2012 | Teffenhart, Jr. |
| 5,464,302 | A | 11/1995 | Menchetti | D670,474 | S | 11/2012 | Koch |
| D373,832 | S | 9/1996 | Nomura | 8,443,576 | B2 | 5/2013 | Petta |
| D374,488 | S | 10/1996 | Wang | 8,720,839 | B2 * | 5/2014 | Lijesnic A47B 47/0033 248/300 |
| 5,590,974 | A | 1/1997 | Yang | 8,726,583 | B2 | 5/2014 | Verdecia et al. |
| 5,813,641 | A | 9/1998 | Baldwin | 8,756,900 | B1 | 6/2014 | Hudson et al. |
| 5,881,508 | A | 3/1999 | Irvine et al. | D713,054 | S | 9/2014 | Teffenhart, Jr. |
| D414,881 | S | 10/1999 | Giese | D731,678 | S | 6/2015 | Geldart |
| 5,966,890 | A | 10/1999 | Inman | D733,937 | S | 7/2015 | Hillstrom et al. |
| 5,997,117 | A | 12/1999 | Krietzman | 9,121,222 | B2 * | 9/2015 | Walker E06B 3/9641 |
| 6,082,070 | A | 7/2000 | Jen | D744,317 | S * | 12/2015 | Densberger D8/354 |
| 6,092,348 | A | 7/2000 | Dombchik et al. | 9,458,619 | B2 | 10/2016 | Bowron et al. |
| 6,357,196 | B1 | 3/2002 | McCombs | D791,342 | S | 7/2017 | Teffenhart, Jr. |
| 6,385,941 | B1 | 5/2002 | Power, Jr. et al. | D811,199 | S * | 2/2018 | Bacallao D8/349 |
| 6,405,504 | B1 | 6/2002 | Richardson | 9,920,534 | B2 | 3/2018 | Albert |
| 6,430,888 | B1 | 8/2002 | Dombchik et al. | D860,058 | S * | 9/2019 | Norfleet D12/106 |
| 6,601,362 | B1 | 8/2003 | Prince | D882,386 | S * | 4/2020 | Zeilinger D8/394 |
| 6,647,692 | B1 | 11/2003 | Roder | 2002/0046539 | A1 | 4/2002 | Schulz |
| 6,668,495 | B1 | 12/2003 | Prince | 2002/0121068 | A1 | 9/2002 | Ng |
| 6,755,004 | B1 | 6/2004 | Power, Jr. et al. | 2003/0145555 | A1 | 8/2003 | Raskin et al. |
| D493,235 | S | 7/2004 | Strassle | 2006/0179766 | A1 | 8/2006 | Waggoner |
| 6,826,885 | B2 | 12/2004 | Raskin et al. | 2007/0074480 | A1 | 4/2007 | Kleila et al. |
| D531,324 | S | 10/2006 | Takagi | 2007/0266671 | A1 | 11/2007 | Chromy |
| D584,621 | S * | 1/2009 | Jean D9/456 | 2008/0016816 | A1 | 1/2008 | Kim |
| 7,478,504 | B2 | 1/2009 | Huebner et al. | 2008/0168738 | A1 | 7/2008 | Shelton et al. |
| 7,568,323 | B2 | 8/2009 | Shelton et al. | 2008/0250737 | A1 | 10/2008 | Hall et al. |
| 7,628,563 | B2 | 12/2009 | Winkler | 2011/0036050 | A1 | 2/2011 | Callahan |
| 7,708,317 | B2 | 5/2010 | Leblanc | 2011/0036051 | A1 | 2/2011 | Callahan |
| 7,743,538 | B2 | 6/2010 | Parenti et al. | 2011/0036052 | A1 | 2/2011 | Callahan |
| D620,618 | S | 7/2010 | Teffenhart, Jr. | 2011/0113717 | A1 | 5/2011 | Teffenhart, Jr. |
| D620,619 | S | 7/2010 | Teffenhart, Jr. | 2013/0306808 | A1 | 11/2013 | Huang |
| 7,870,699 | B2 | 1/2011 | Waggoner | 2017/0097030 | A1 | 4/2017 | Keller |
| | | | | 2019/0116861 | A1 * | 4/2019 | Zeilinger A23G 3/56 |

* cited by examiner

FIG. 1

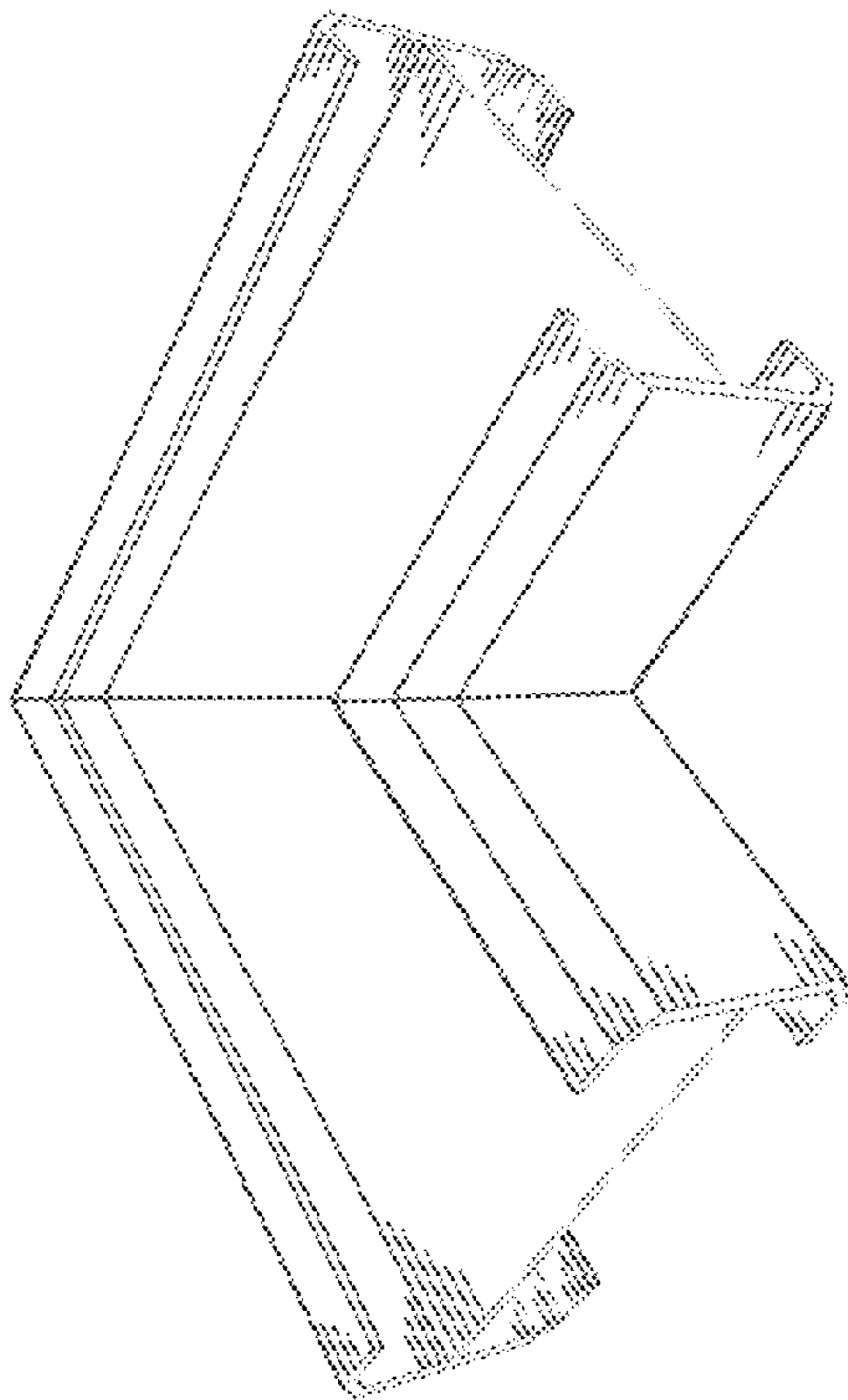


FIG. 2

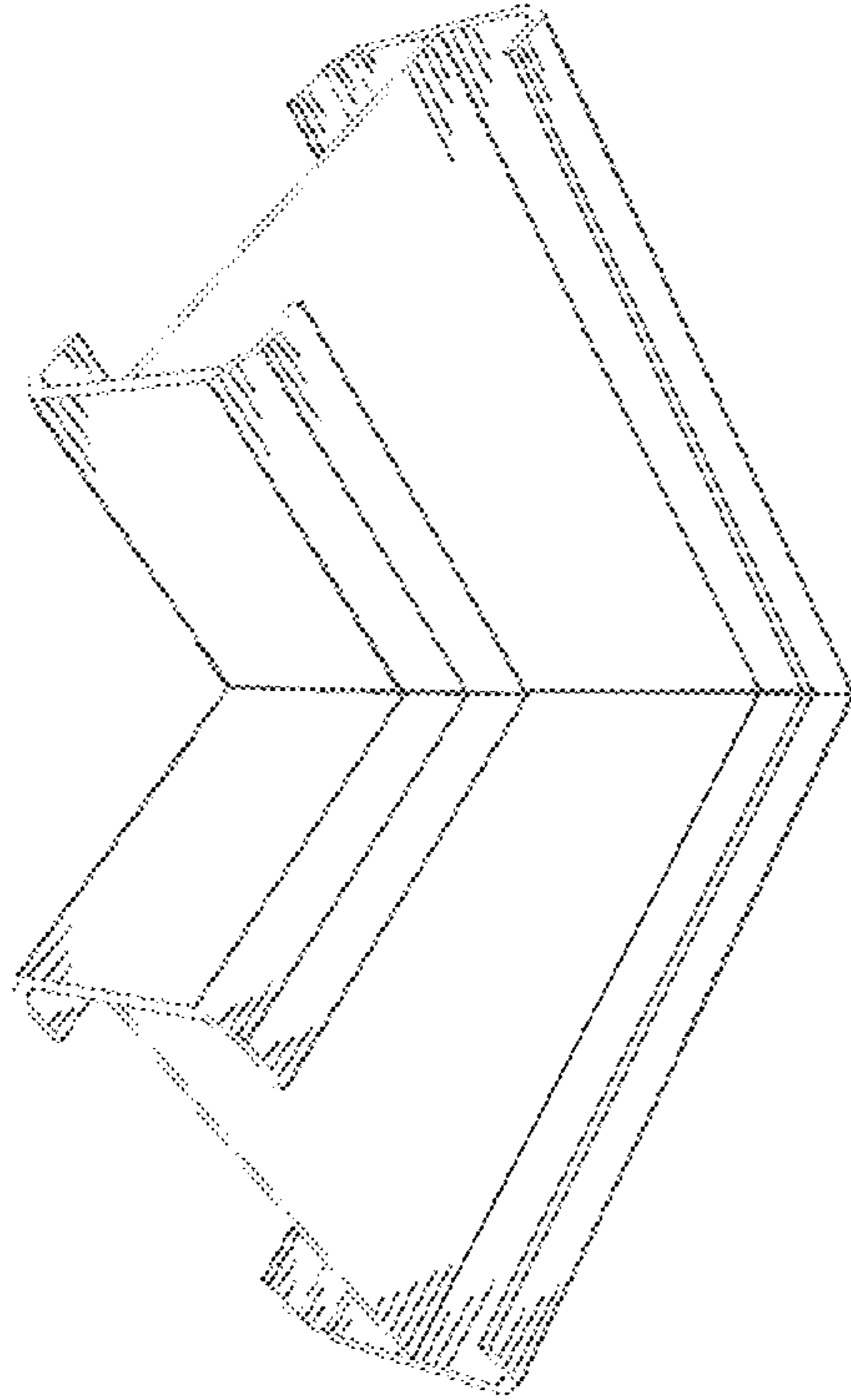


FIG. 3

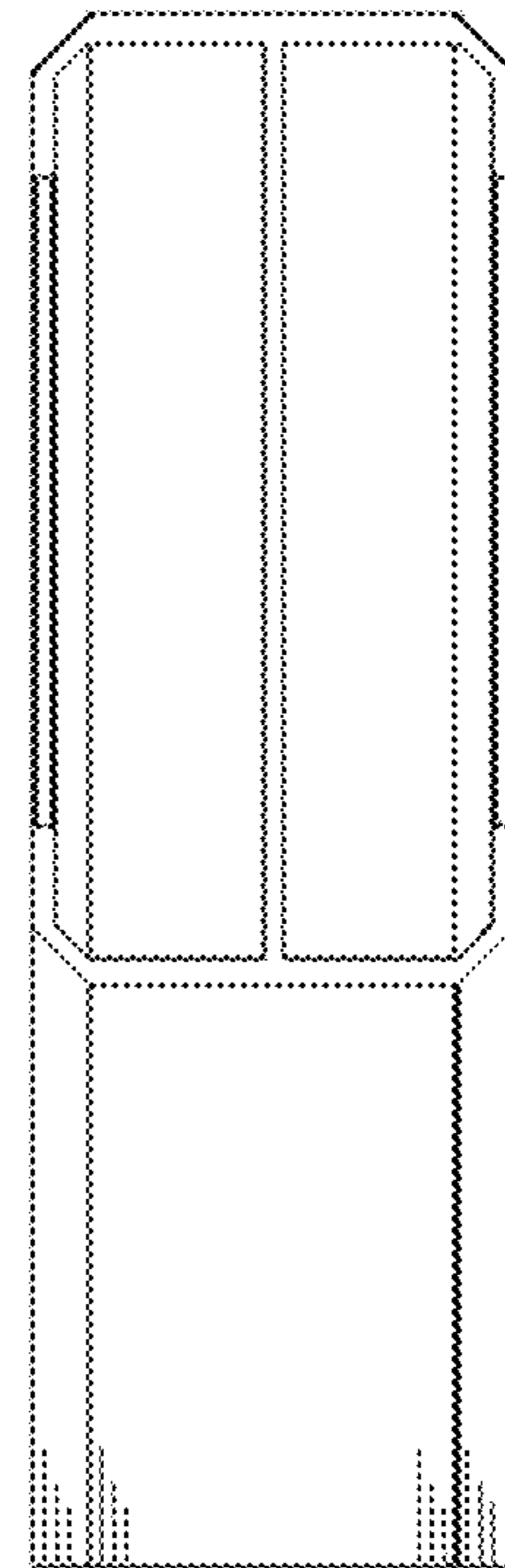


FIG. 4

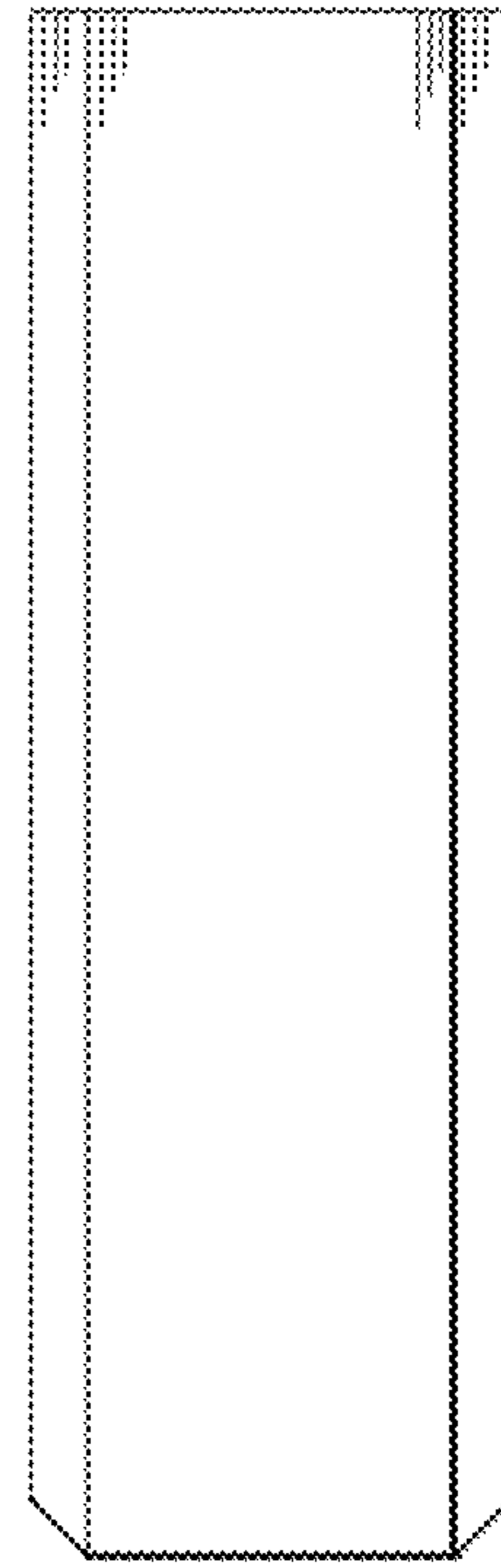


FIG. 5

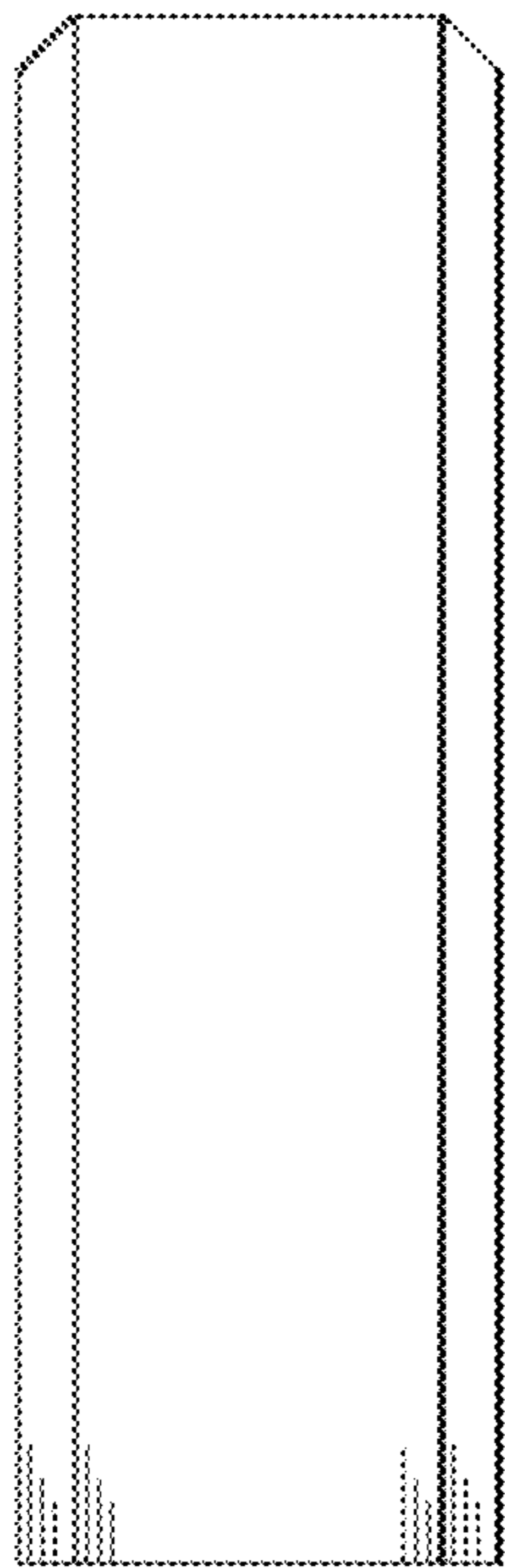


FIG. 6

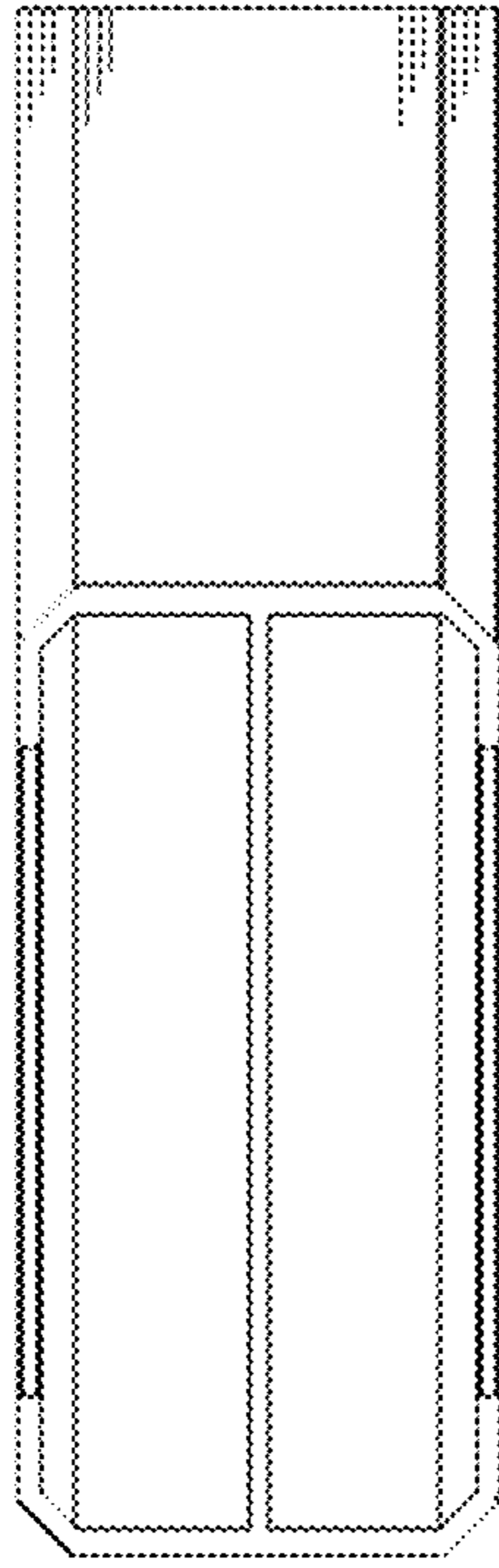


FIG. 7

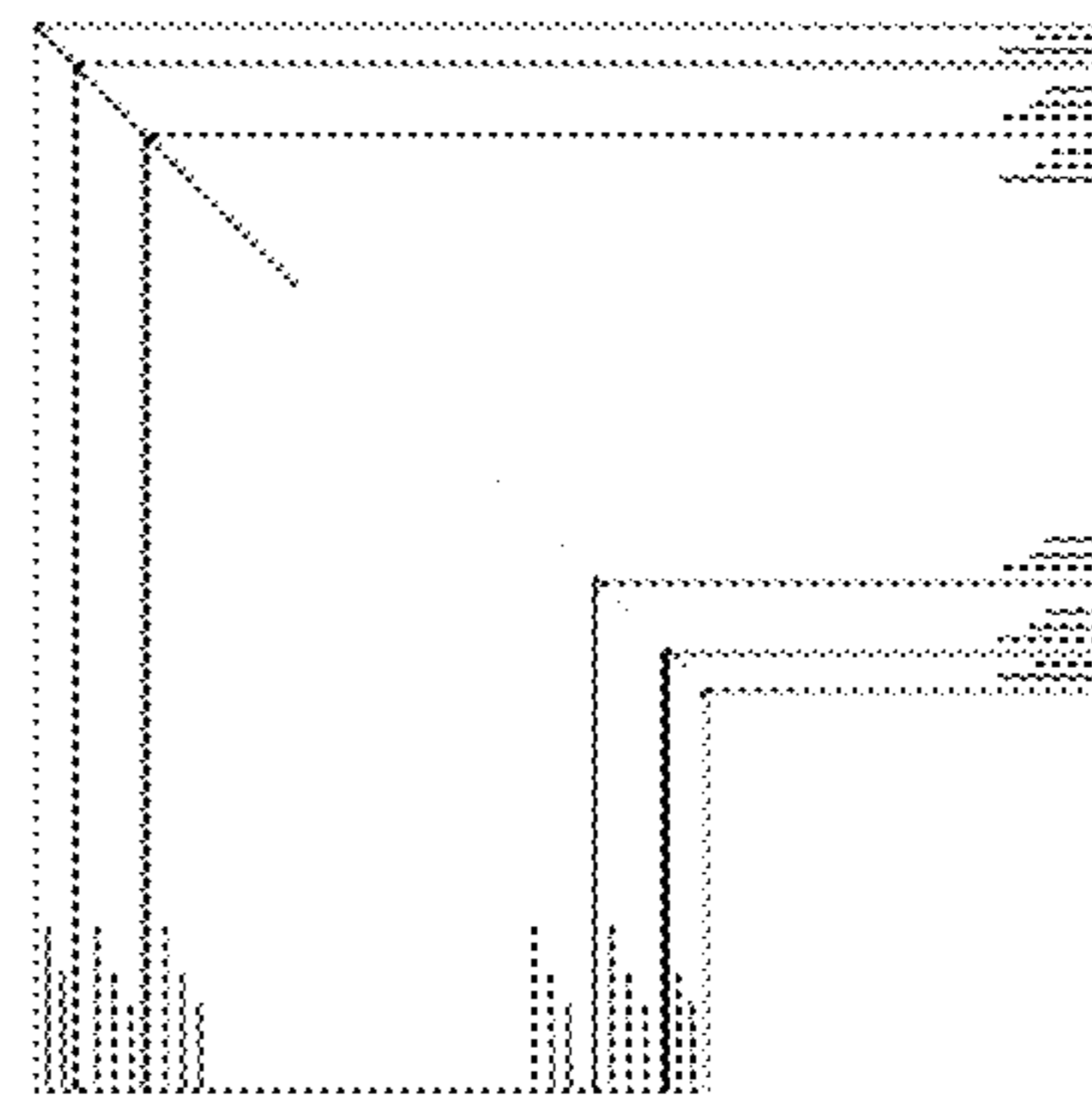


FIG. 8

