



US00D919416S

(12) **United States Design Patent**
Han

(10) **Patent No.:** **US D919,416 S**

(45) **Date of Patent:** **** May 18, 2021**

(54) **ZIP LINE TROLLEY**

(71) Applicant: **Changhua Han**, Shenzhen (CN)

(72) Inventor: **Changhua Han**, Shenzhen (CN)

(**) Term: **15 Years**

(21) Appl. No.: **29/767,400**

(22) Filed: **Jan. 22, 2021**

(51) **LOC (13) Cl.** **08-05**

(52) **U.S. Cl.**
USPC **D8/360**

(58) **Field of Classification Search**
USPC D8/360, 356, 354, 349
CPC A63B 29/00; A63B 27/00
See application file for complete search history.

(56) **References Cited**

U.S. PATENT DOCUMENTS

- D425,682 S * 5/2000 Wang D34/28
- D794,725 S * 8/2017 Lamothe D21/679
- D822,463 S 7/2018 Han
- D834,402 S * 11/2018 Bailey D8/356
- 10,333,378 B2 * 6/2019 Lerner A62B 1/08
- D862,205 S * 10/2019 Bailey D8/356
- 10,471,971 B2 * 11/2019 Richardson A63G 21/20

- D869,937 S * 12/2019 Walker B60R 16/0222
D8/356
- 10,544,822 B2 * 1/2020 Bailey B60C 27/10
- D882,938 S * 5/2020 Luo D2/978

* cited by examiner

Primary Examiner — Cynthia R Underwood

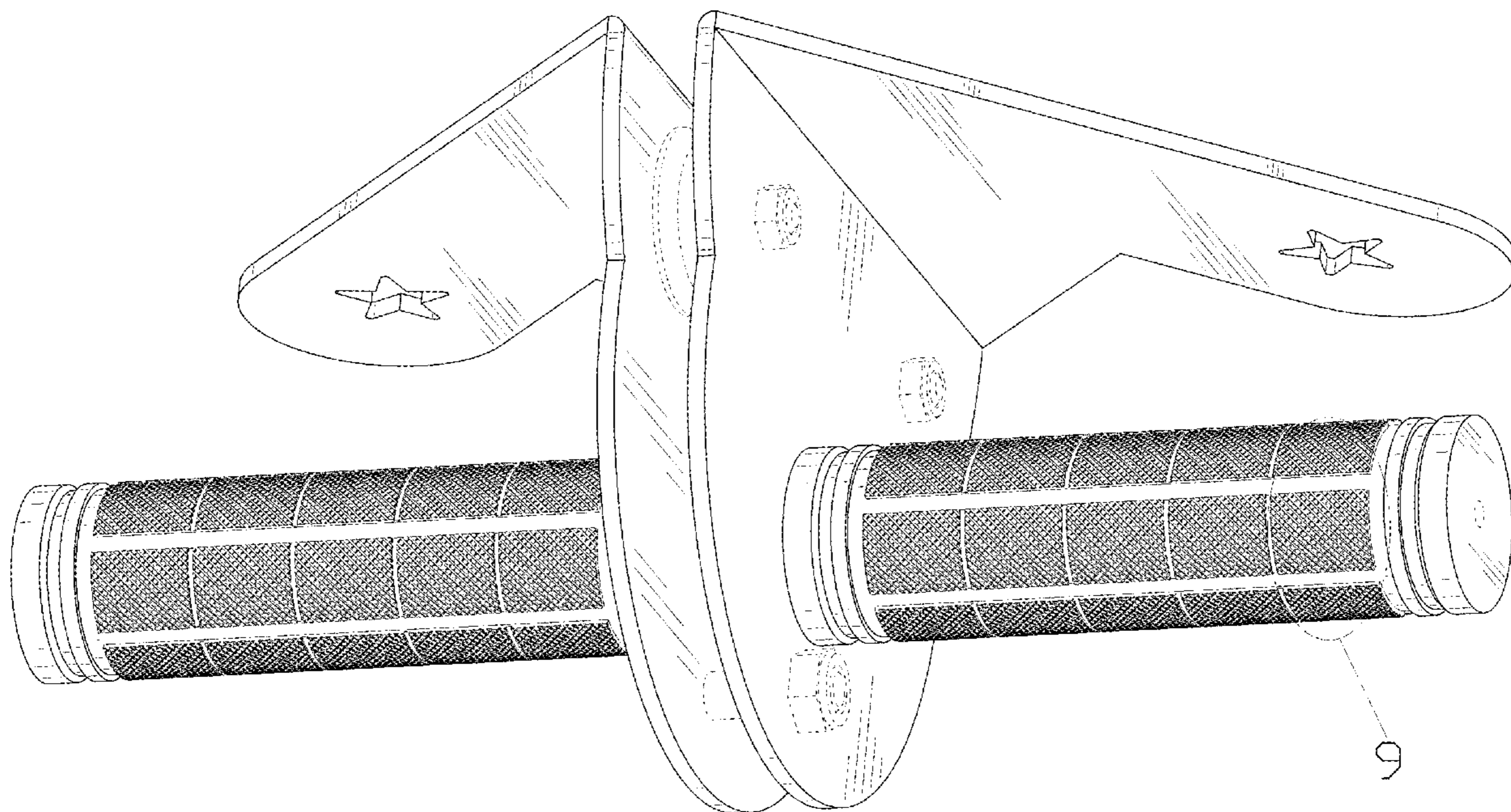
(57) **CLAIM**

The ornamental design for a zip line trolley, as shown and described.

DESCRIPTION

FIG. 1 is a perspective view of a zip line trolley showing my new design;
 FIG. 2 is another perspective view thereof;
 FIG. 3 is a front elevational view thereof;
 FIG. 4 is a rear elevational view thereof;
 FIG. 5 is a left side elevational view thereof;
 FIG. 6 is a right side elevational view thereof;
 FIG. 7 is a top plan view thereof;
 FIG. 8 is a bottom plan view thereof; and,
 FIG. 9 is an enlarged view of portion 9 shown in FIG. 1.
 The broken lines in the drawings depict portions of the zip line trolley that form no part of the claimed design.

1 Claim, 9 Drawing Sheets



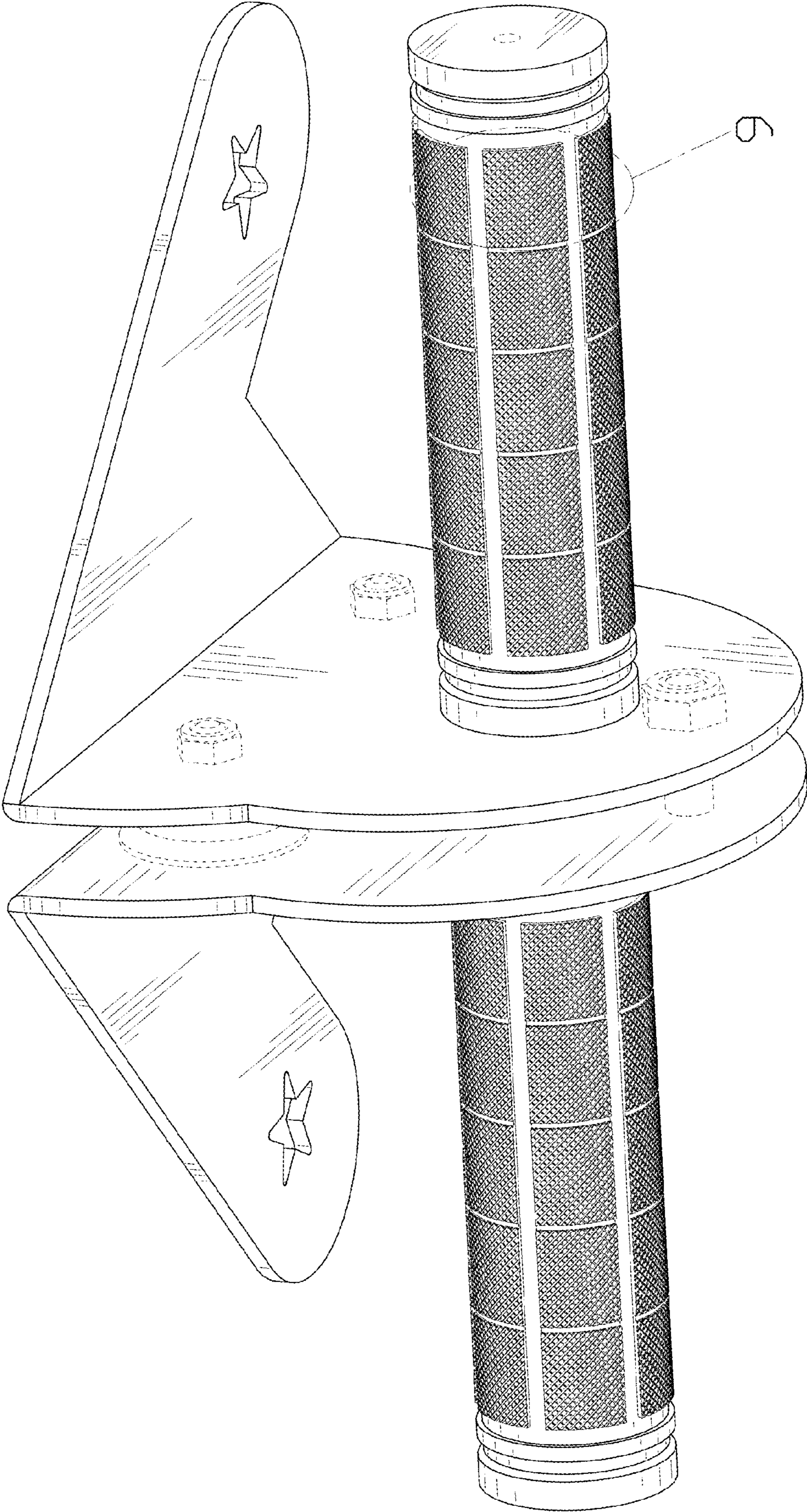


FIG. 1

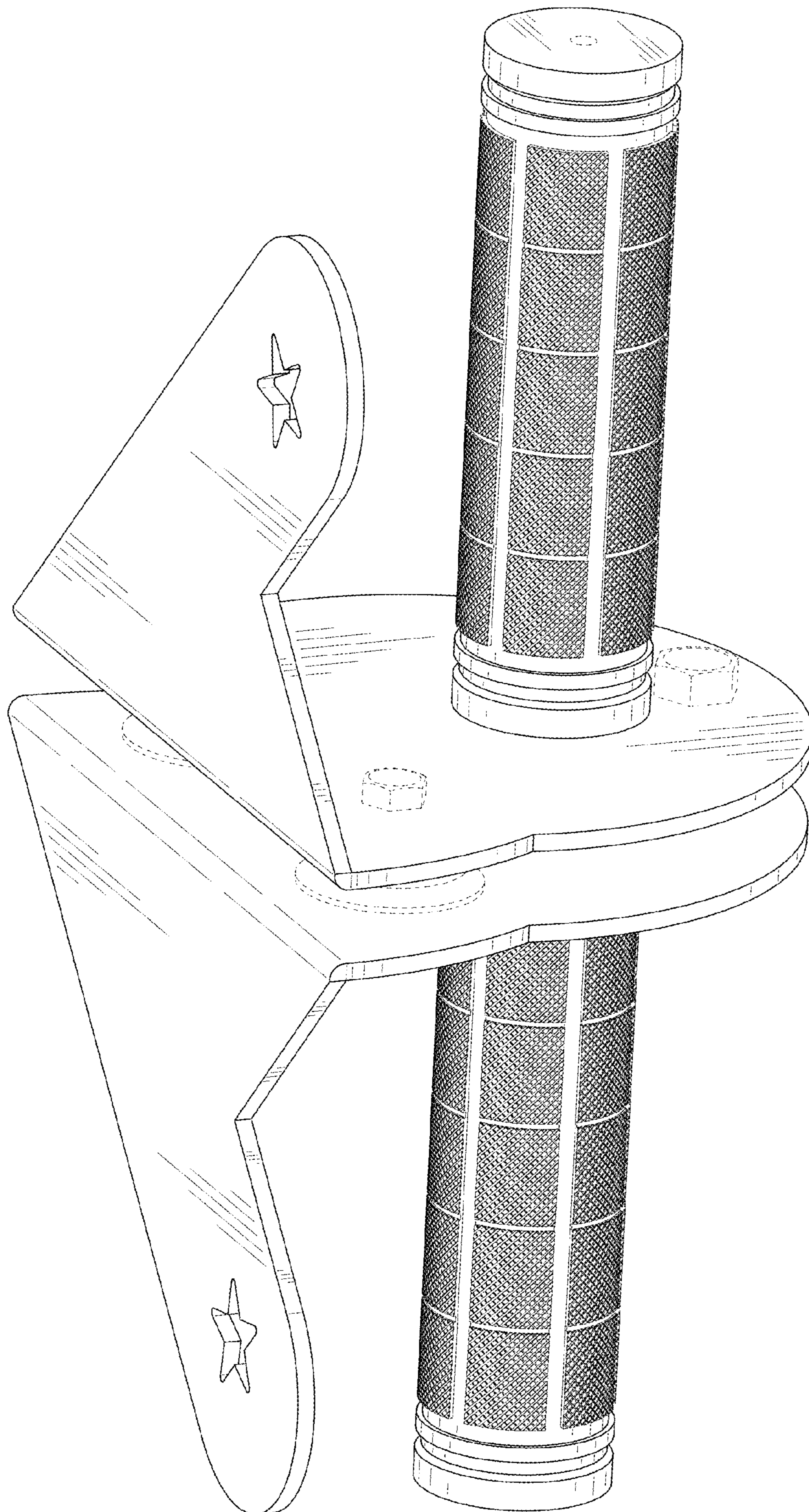


FIG. 2

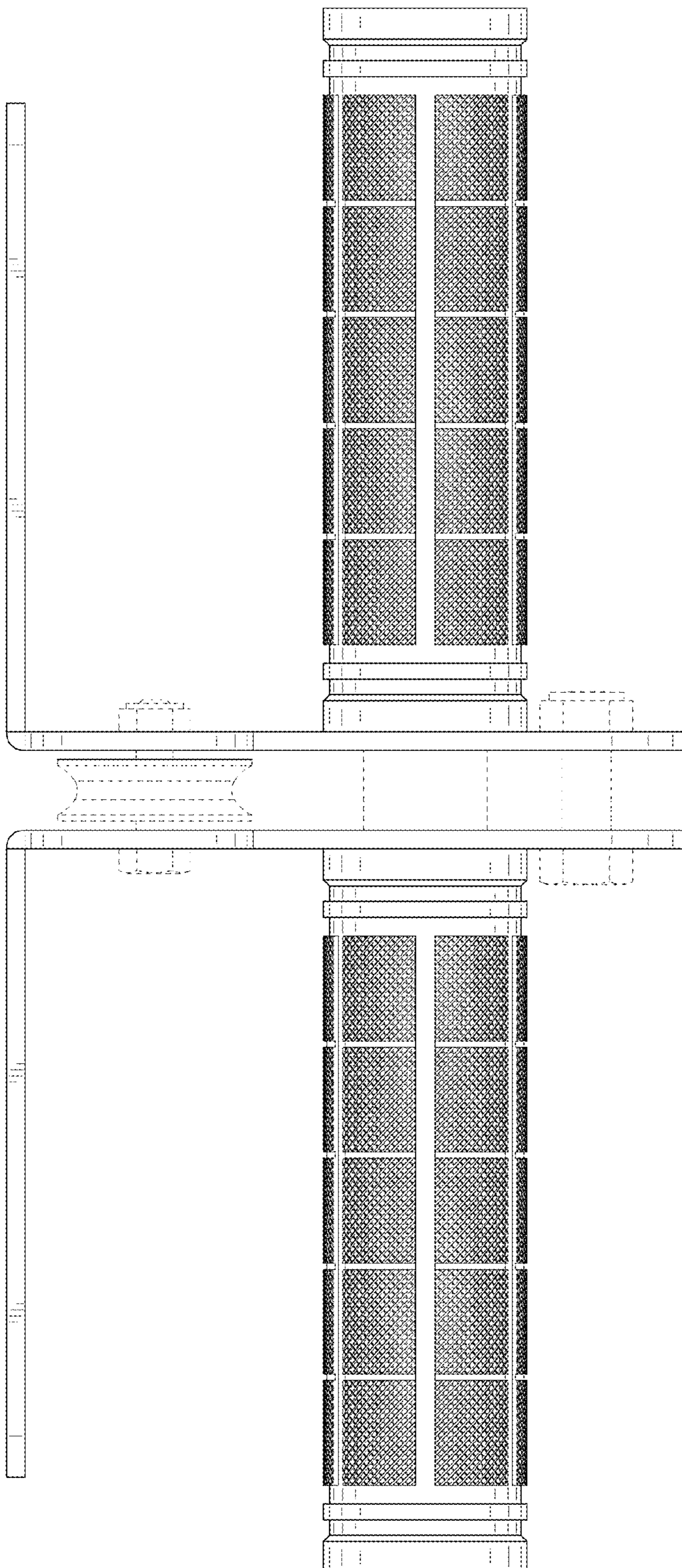


FIG. 3

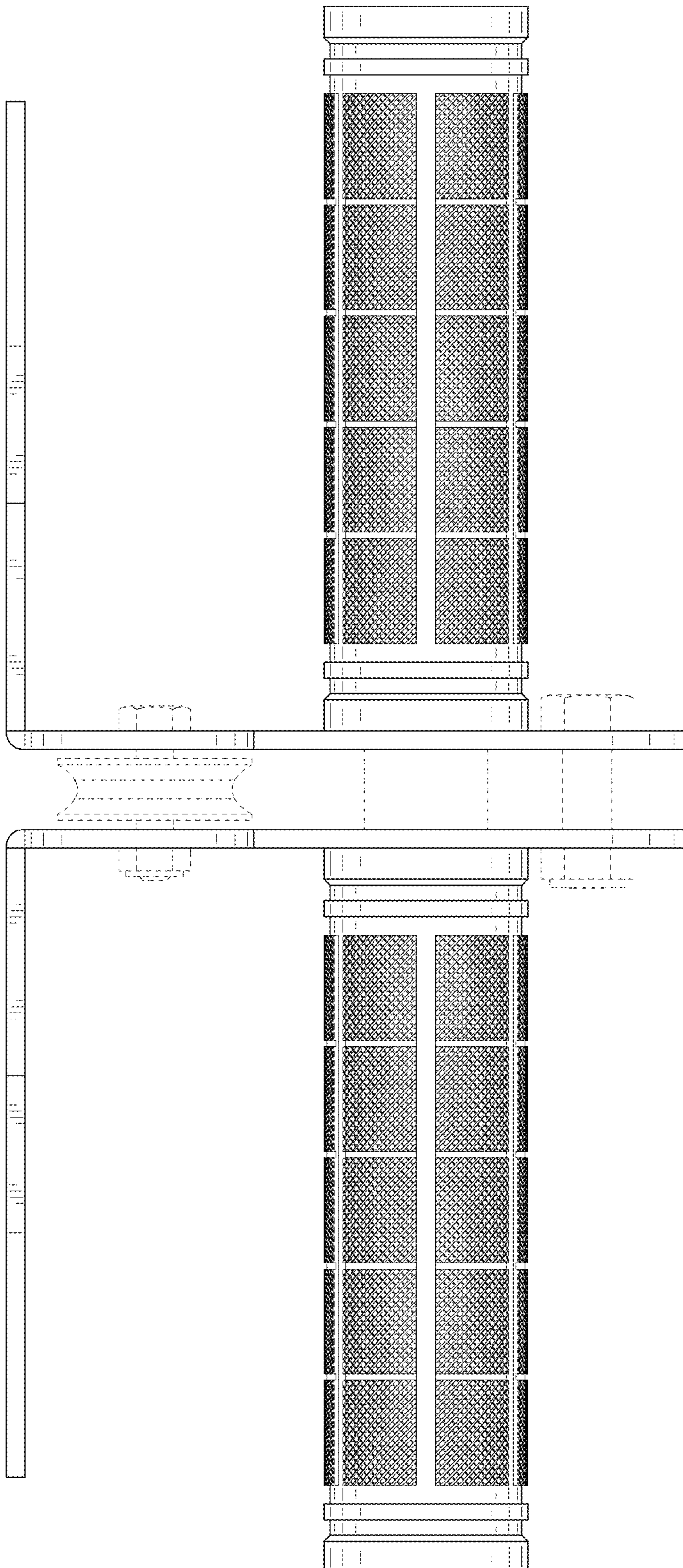


FIG. 4

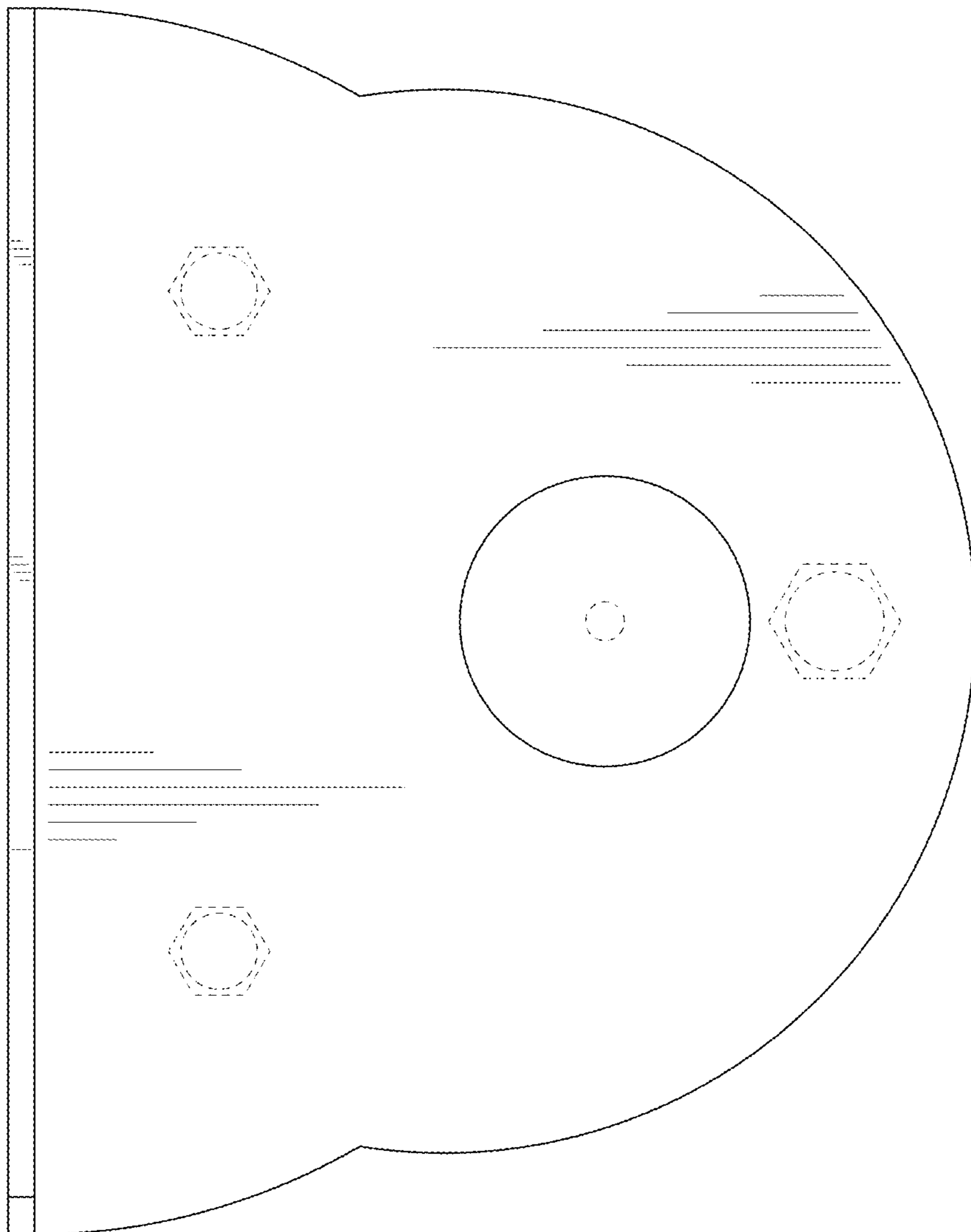


FIG. 5

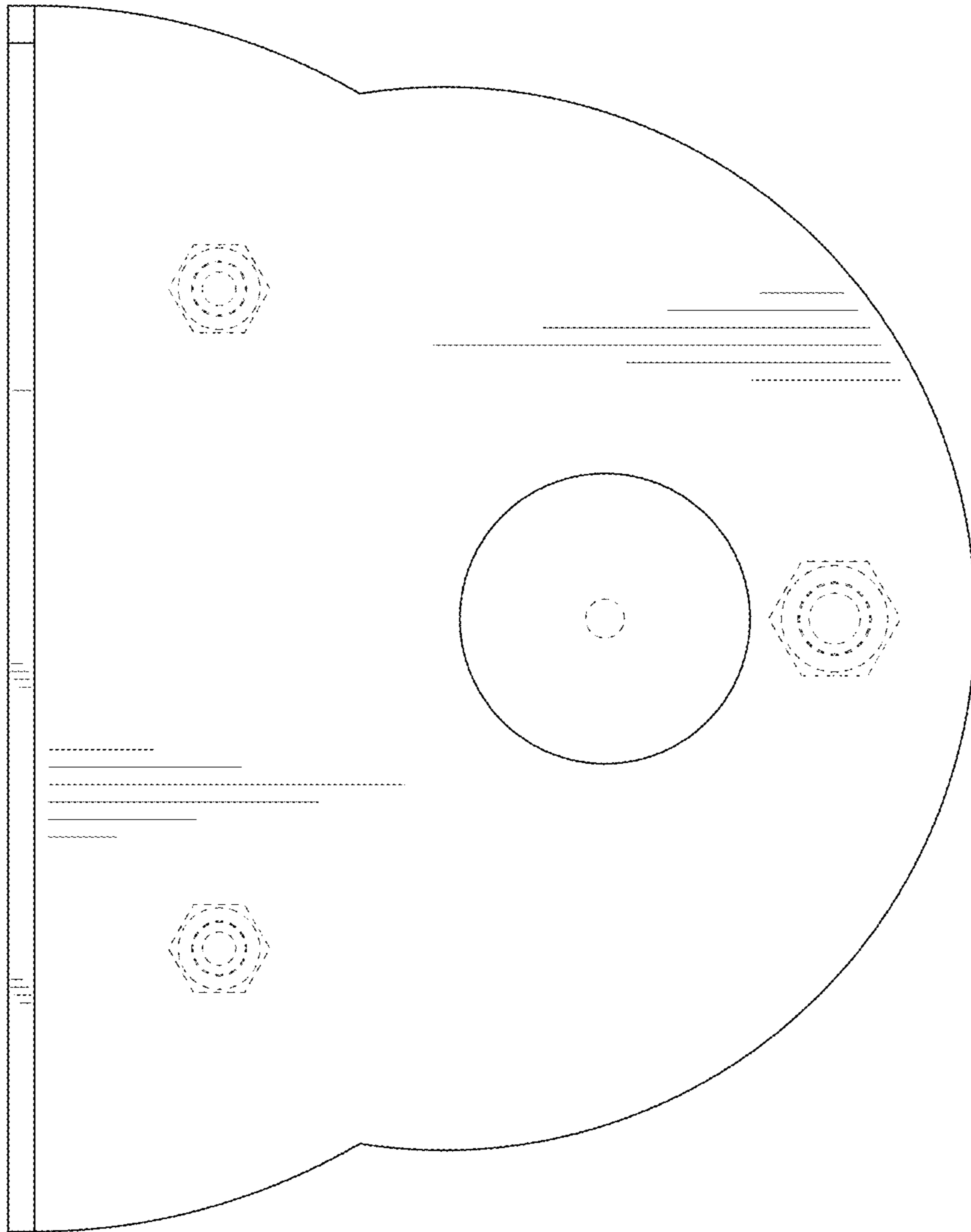


FIG. 6

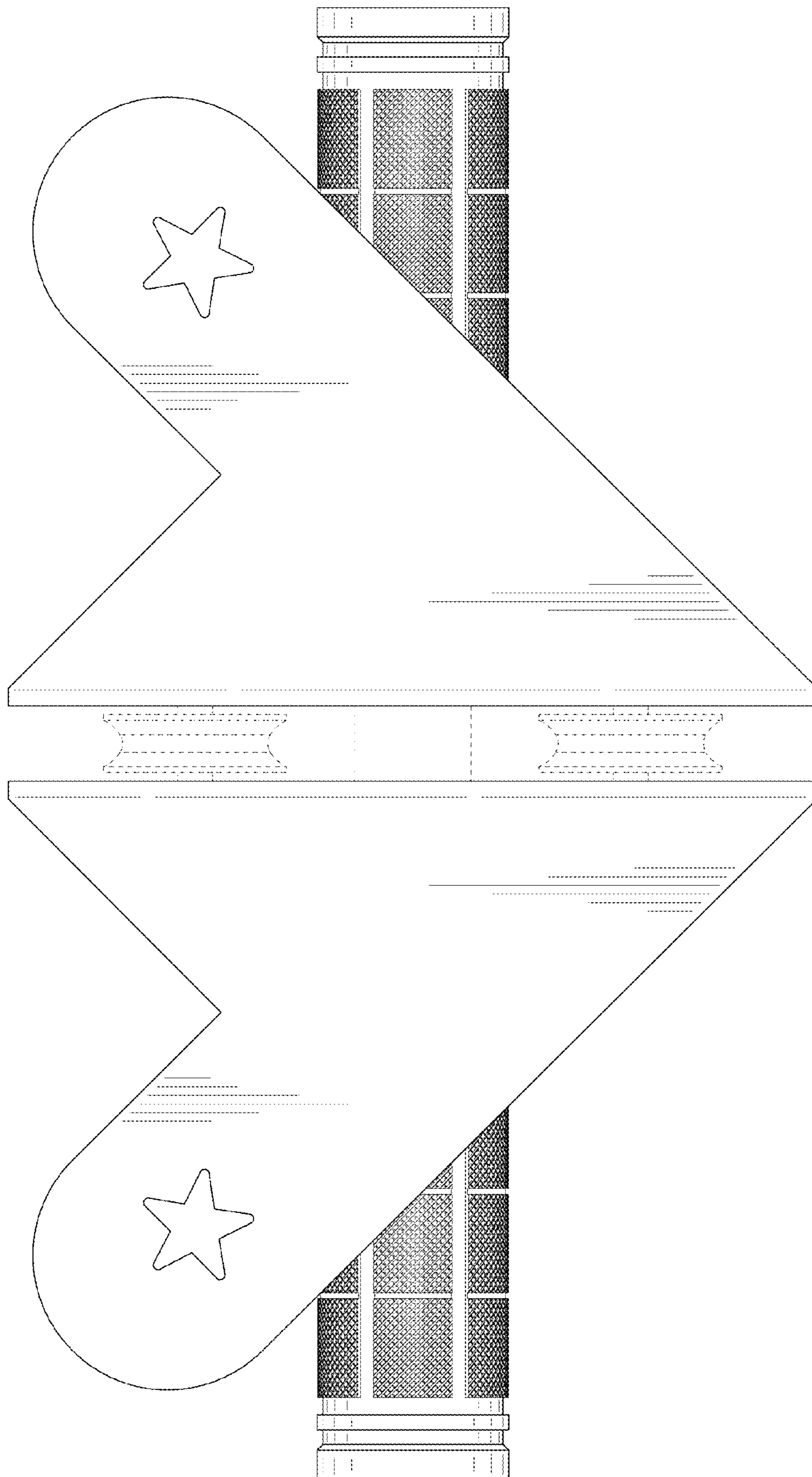


FIG. 7

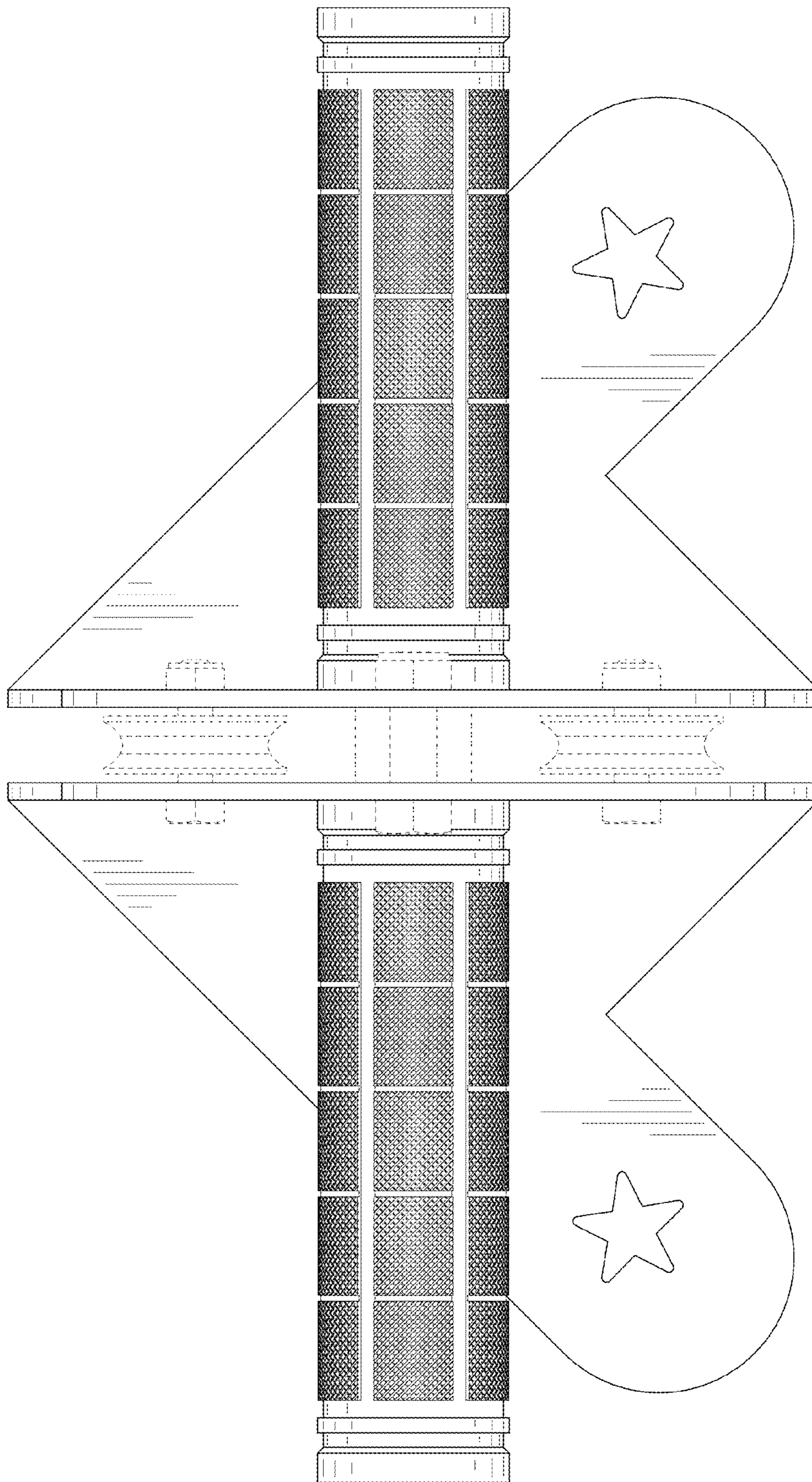


FIG. 8

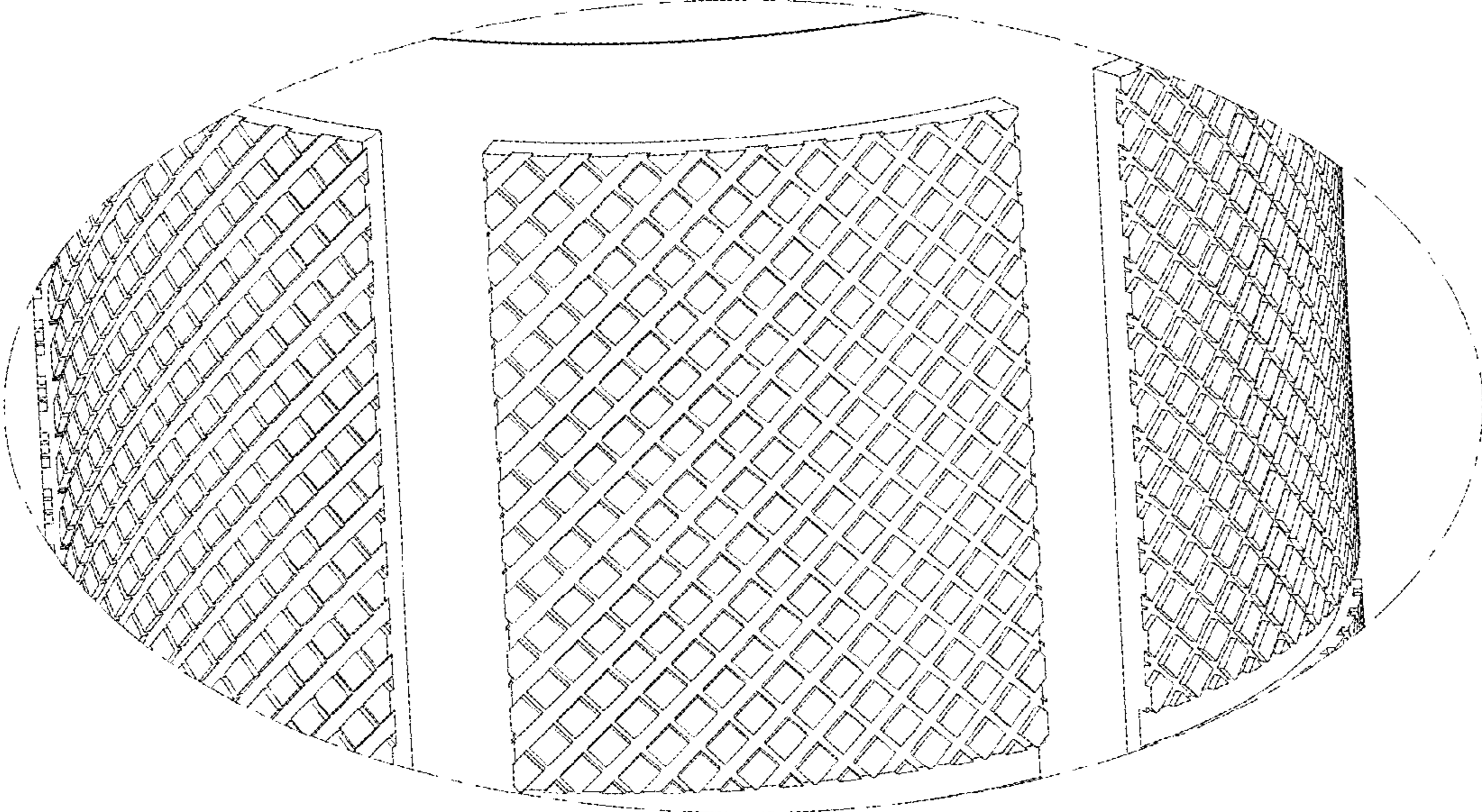


FIG. 9