



US00D919415S

(12) **United States Design Patent** (10) **Patent No.:** **US D919,415 S**
Walker et al. (45) **Date of Patent:** **** May 18, 2021**

(54) **BRACKET**

D590,701 S * 4/2009 Hockman D8/382
D675,239 S * 1/2013 Wunnicke D16/132
D856,124 S * 8/2019 Jefferson B25B 13/481
D8/396

(71) Applicant: **FlowBelow Aero, Inc.**, Austin, TX
(US)

(72) Inventors: **Kyle H. Walker**, Austin, TX (US);
Michael P. O'Connell, Round Rock,
TX (US); **William D. Smith**, Leander,
TX (US); **Christopher R. McKulsky**,
Taylor, TX (US)

(73) Assignee: **FLOWBELOW AERO, INC.**, Austin,
TX (US)

(**) Term: **15 Years**

(21) Appl. No.: **29/684,698**

(22) Filed: **Mar. 22, 2019**

(51) **LOC (13) Cl.** **08-05**

(52) **U.S. Cl.**
USPC **D8/354**

(58) **Field of Classification Search**
USPC D8/354
CPC .. F16B 2/005; F16B 2/10; F16B 2/185; A47B
45/00; A47B 81/00
See application file for complete search history.

(56) **References Cited**

U.S. PATENT DOCUMENTS

D437,294 S * 2/2001 Amin D13/133
D461,448 S * 8/2002 Amin D13/133
D482,709 S * 11/2003 Meinzer D16/132
D490,898 S * 6/2004 Hayamizu D24/129
D511,293 S * 11/2005 Anderson D8/354
D539,130 S * 3/2007 Anderson D8/382

OTHER PUBLICATIONS

Adjustable Fender Bracket, posted at uscargocontrol.com, posting date not given, [online], [site visited Aug. 26, 2020], Available from Internet, URL: <https://www.uscargocontrol.com/4H-Black-Fender-Bracket-Adjustable-from-27L-to-30L> (Year: 2020).*

Stainless Steel Quarter Fender Bracket, posted at 4statetrucks.com, posting date not given, [online], [site visited Aug. 26, 2020], Available from Internet, URL: https://www.4statetrucks.com/fenders/semi-truck-stainless-steel-quarter-fender-bracket_15519.asp (Year: 2020).*

* cited by examiner

Primary Examiner — George D. Kirschbaum
Assistant Examiner — Maria J. Edwards
(74) *Attorney, Agent, or Firm* — Sprinkle IP Law Group

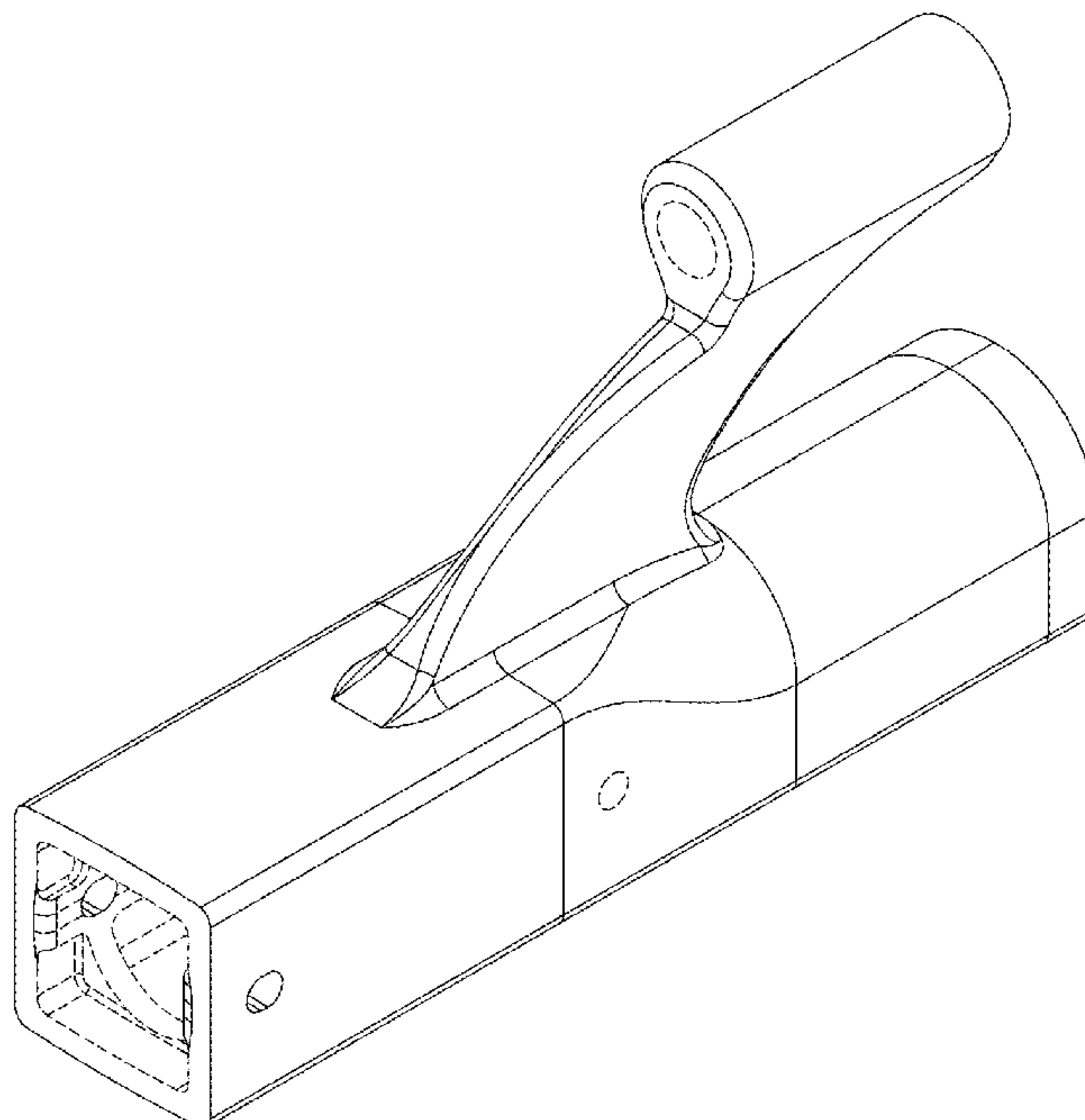
(57) **CLAIM**

The ornamental design for a bracket, as shown and described.

DESCRIPTION

FIG. 1 is a first perspective view of our bracket;
FIG. 2 is a second perspective view of our bracket;
FIG. 3 is a left side view of our bracket, being also the right view of the bracket;
FIG. 4 is a top view of our bracket;
FIG. 5 is a bottom view of our bracket;
FIG. 6 is a front view of our bracket; and,
FIG. 7 is a rear view of our bracket.
Our bracket comprises a bracket for mounting a heavy truck fender or fairing.

1 Claim, 3 Drawing Sheets



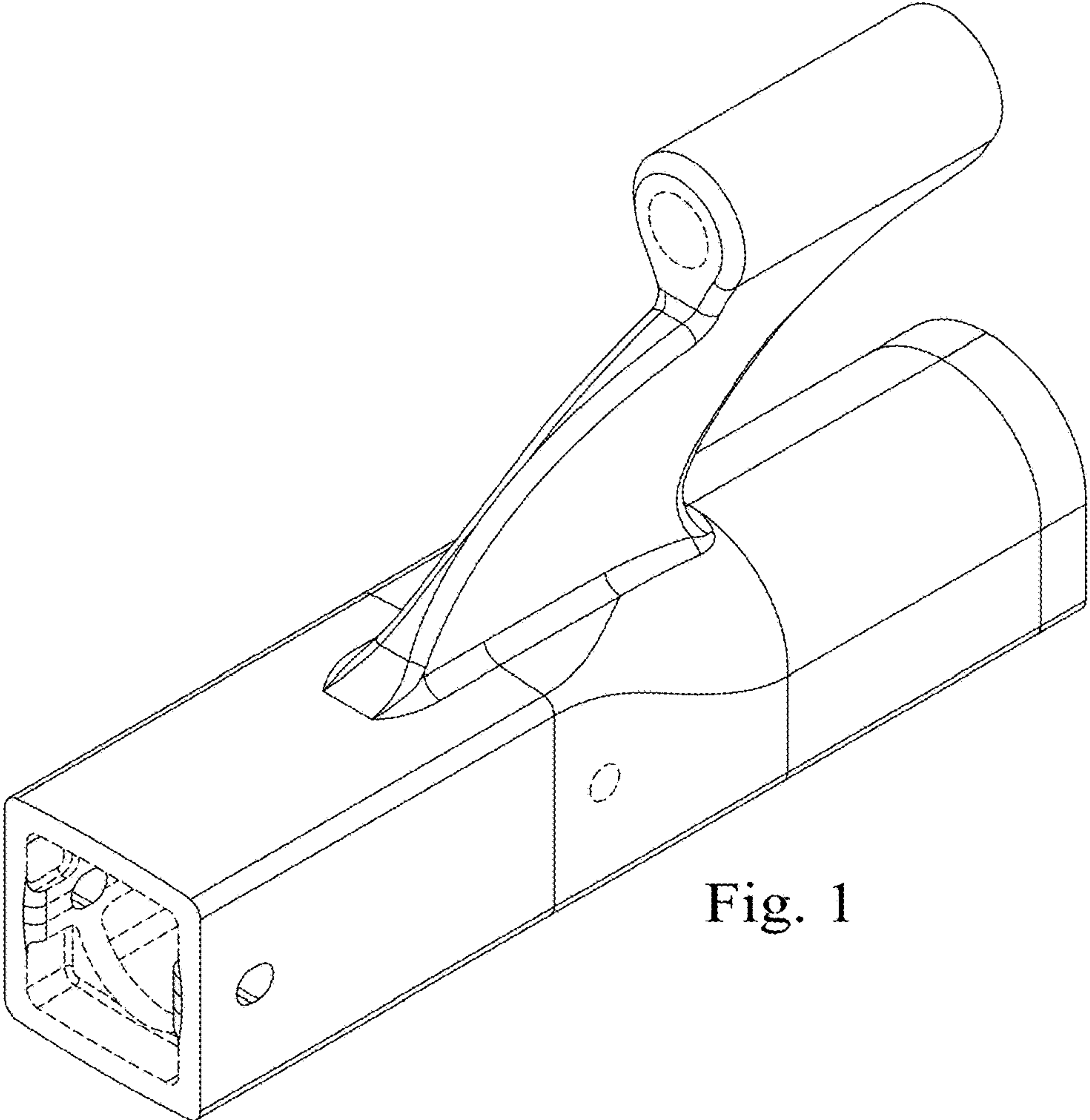


Fig. 1

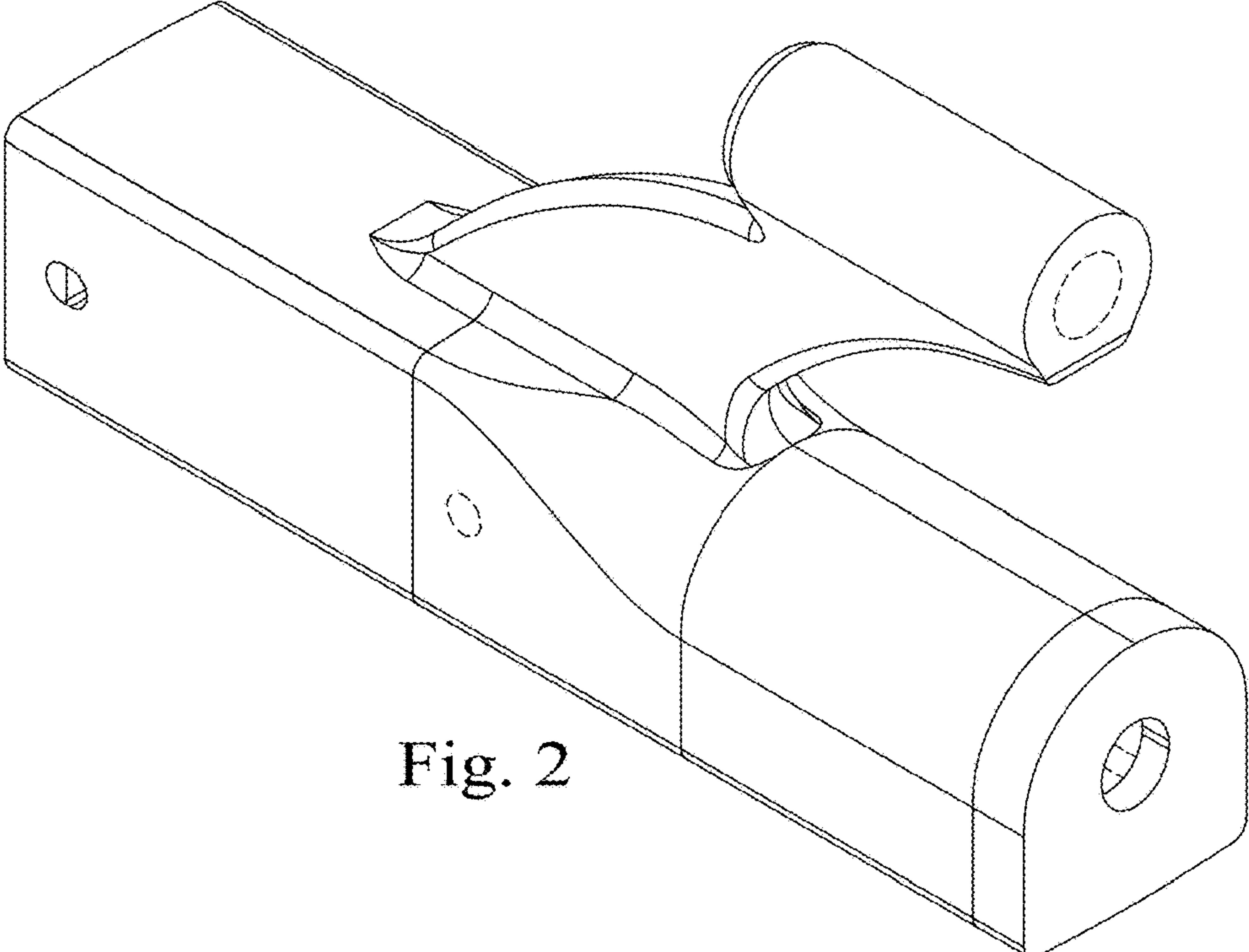
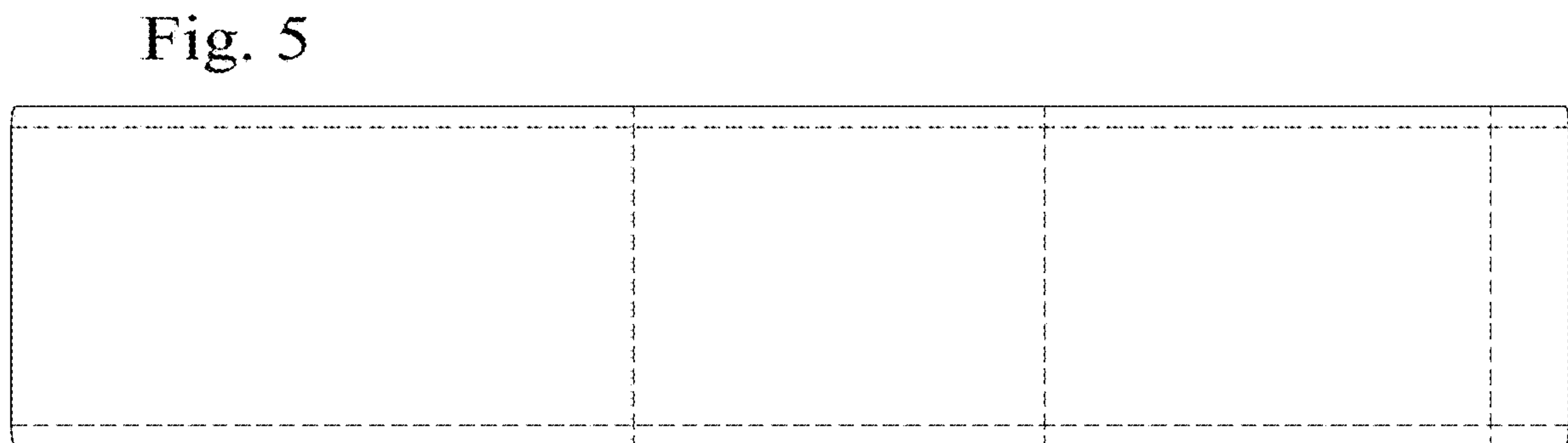
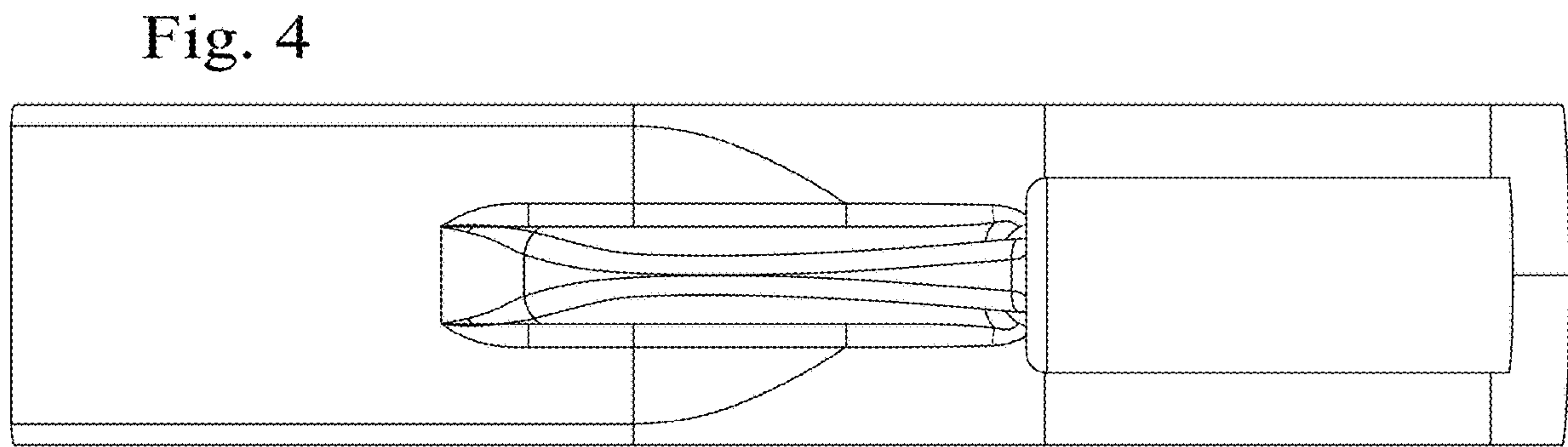
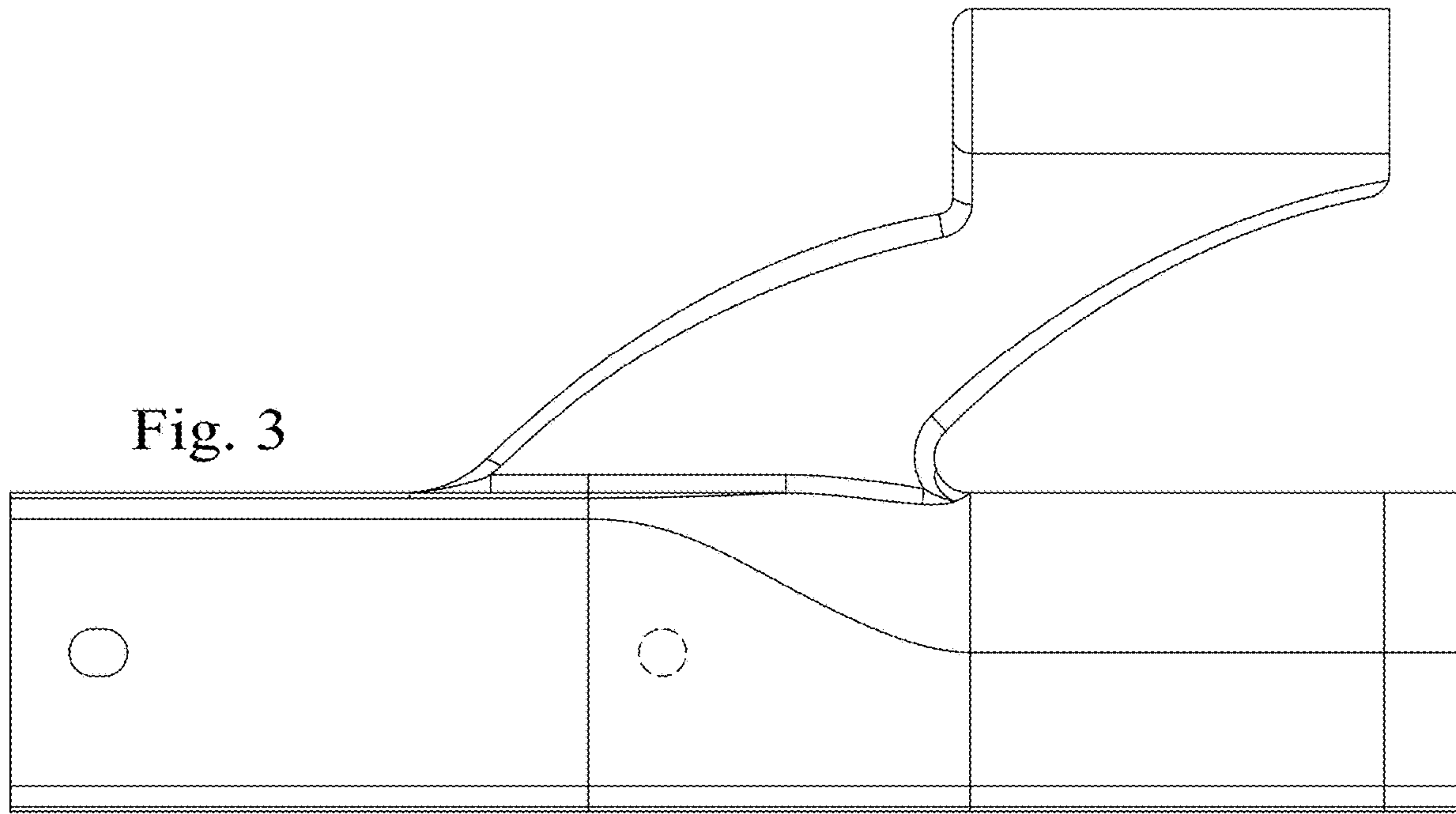


Fig. 2



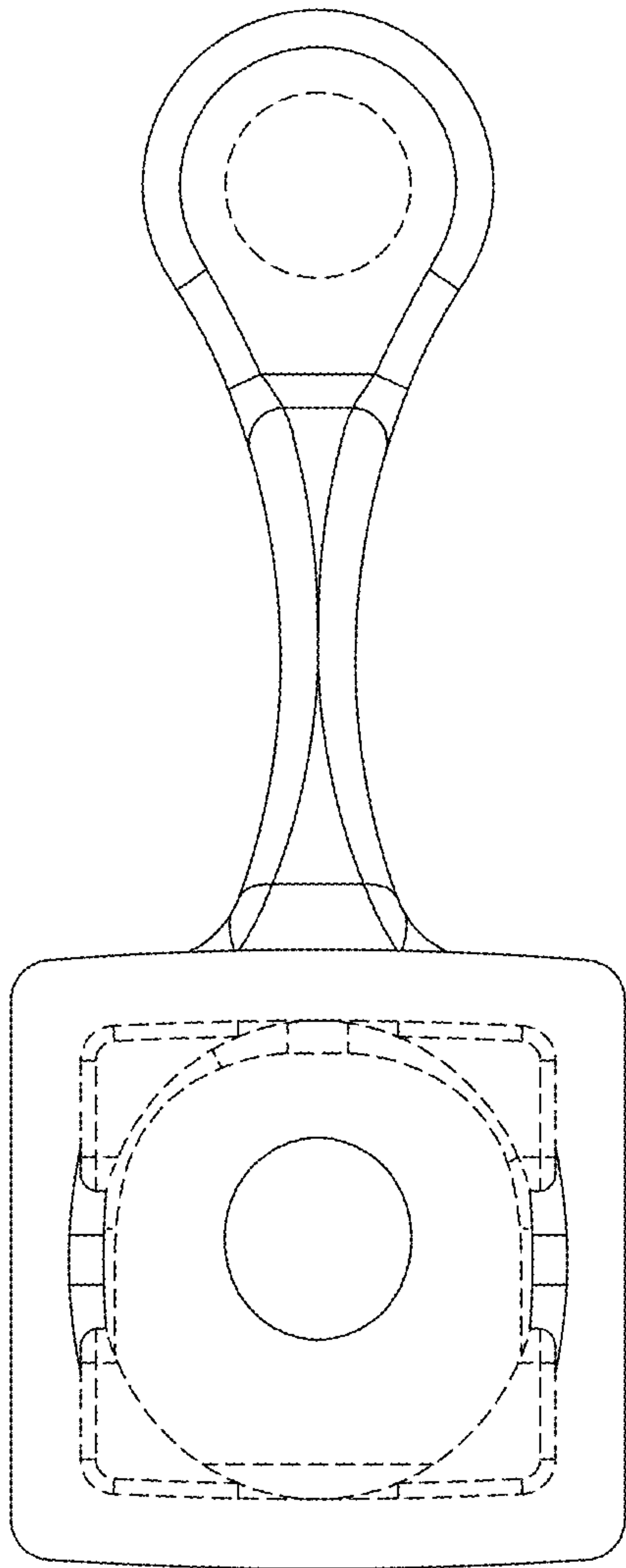


Fig. 6

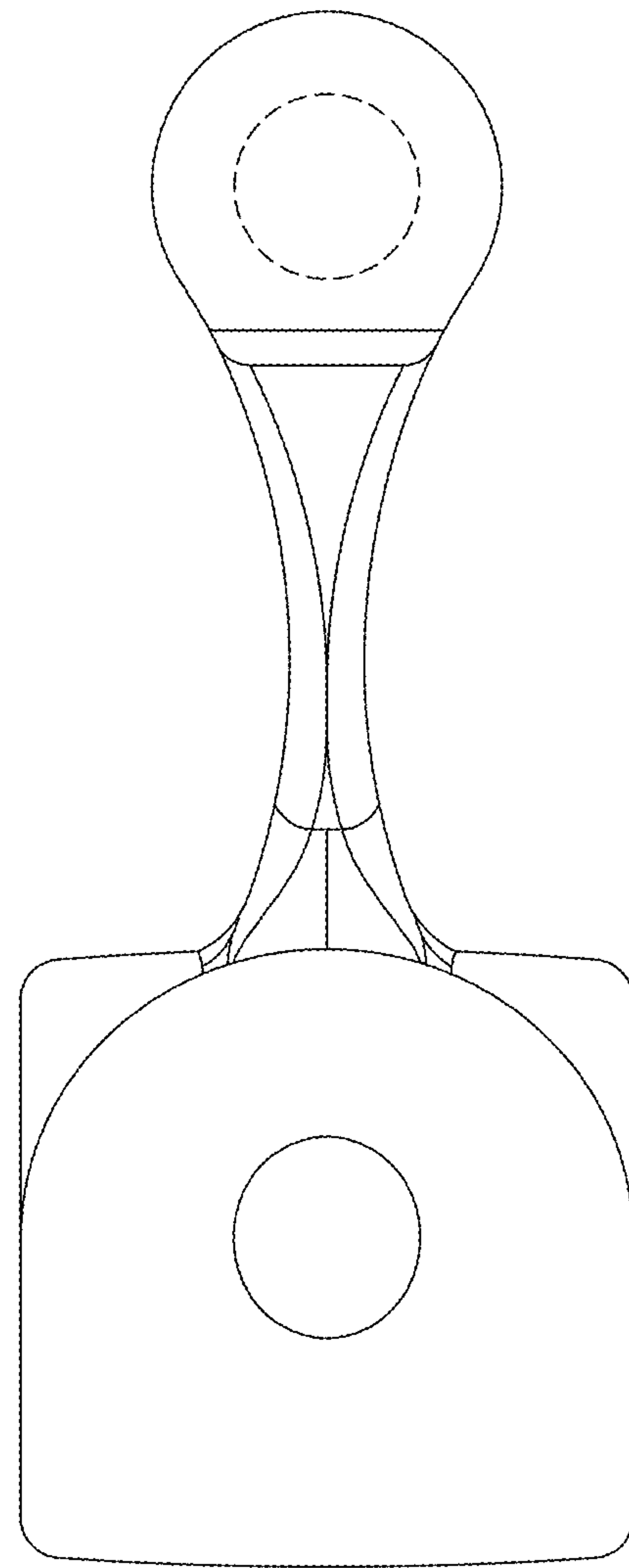


Fig. 7