



US00D919413S

(12) **United States Design Patent** (10) **Patent No.:** **US D919,413 S**
Eveland et al. (45) **Date of Patent:** **** May 18, 2021**

- (54) **BRACKET MOUNT**
- (71) Applicant: **SunWize Power and Battery, LLC**,
Albany, OR (US)
- (72) Inventors: **David Eveland**, Corvallis, OR (US);
Travis Hise, Albany, OR (US); **Kyle Kohl**, Corvallis, OR (US); **Greyson Clum**, Corvallis, OR (US)
- (73) Assignee: **SunWize Power and Battery, LLC**,
Albany, OR (US)
- (**) Term: **15 Years**
- (21) Appl. No.: **29/729,794**
- (22) Filed: **Mar. 30, 2020**
- (51) **LOC (13) Cl.** **08-08**
- (52) **U.S. Cl.**
USPC **D8/349**; D13/102
- (58) **Field of Classification Search**
USPC D8/354, 349, 366, 382; D13/102;
D14/238, 224
CPC H02S 20/30; F24S 25/70; F24S 2025/014
See application file for complete search history.

D869,936 S *	12/2019	Smith	D8/349
D886,569 S *	6/2020	Vlad	D8/354
D891,232 S *	7/2020	Zhang	D8/354
D910,419 S *	2/2021	Cox	D8/349
2013/0125959 A1 *	5/2013	Sagayama	F24S 25/636 136/251

* cited by examiner

Primary Examiner — Mark A Goodwin
Assistant Examiner — Benjamin M Weeks
(74) *Attorney, Agent, or Firm* — SoCal IP Law Group
LLP; Guy Cumberbatch

(57) **CLAIM**

The ornamental design for a bracket mount, as shown and described.

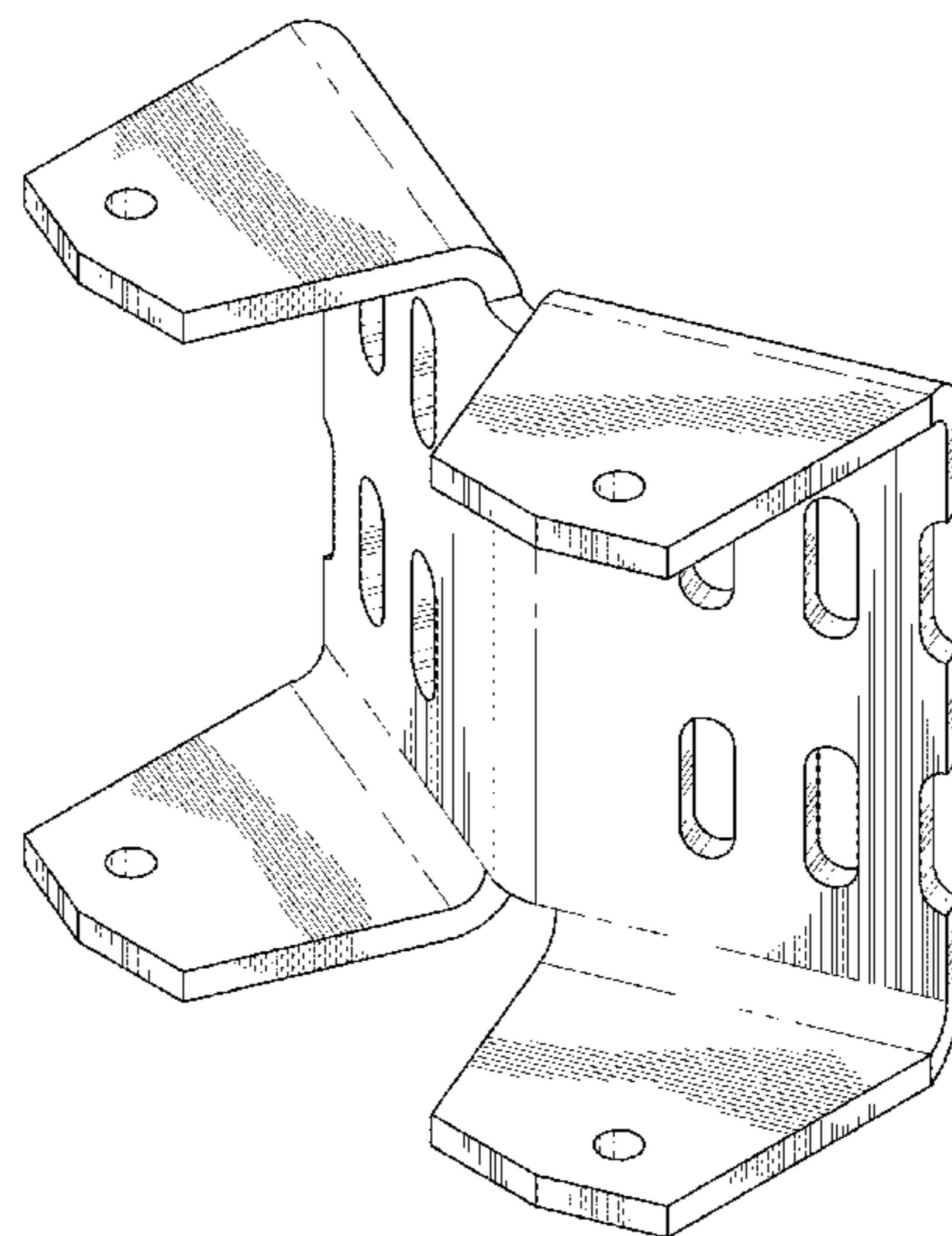
DESCRIPTION

A portion of the disclosure of this patent document contains material which is subject to copyright protection. This patent document may show and/or describe matter which is or may become trade dress of the owner. The copyright and trade dress owner has no objection to the facsimile reproduction by anyone of the patent disclosure as it appears in the Patent and Trademark Office patent files or records, but otherwise reserves all copyright and trade dress rights whatsoever.

FIG. 1 is a downward perspective view of a bracket mount of the present application;
FIG. 2 is a front elevational view;
FIG. 3 is a rear elevational view;
FIG. 4 is a right elevation view;
FIG. 5 is a left elevation view;
FIG. 6 is a top plan view; and,
FIG. 7 is a bottom plan view.

1 Claim, 4 Drawing Sheets

- (56) **References Cited**
- U.S. PATENT DOCUMENTS
- | | | | | |
|--------------|---------|----------------|-------|---------|
| D326,604 S * | 6/1992 | Stubbersfield | | D8/373 |
| D492,187 S * | 6/2004 | Mottini | | D8/354 |
| D579,321 S * | 10/2008 | Townley | | D8/354 |
| D600,535 S * | 9/2009 | Rix | | D8/354 |
| D819,427 S * | 6/2018 | Mercaldi | | D8/354 |
| D822,650 S * | 7/2018 | Kanter | | D14/238 |
| D849,507 S * | 5/2019 | DeDios-Shirley | | D8/349 |
| D855,440 S * | 8/2019 | Schmonsees | | D8/349 |
| D863,040 S * | 10/2019 | DeDios-Shirley | | D8/354 |



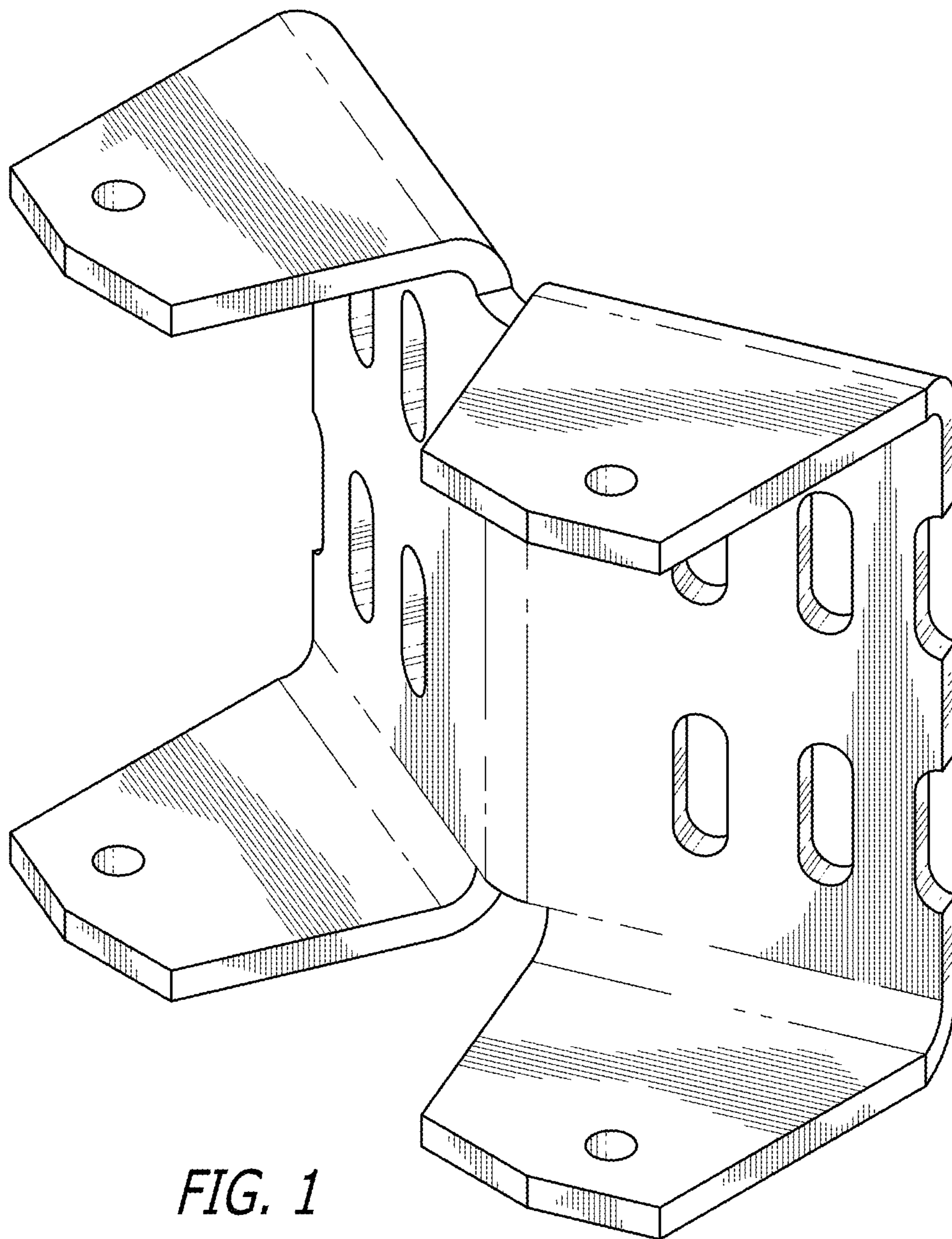


FIG. 1

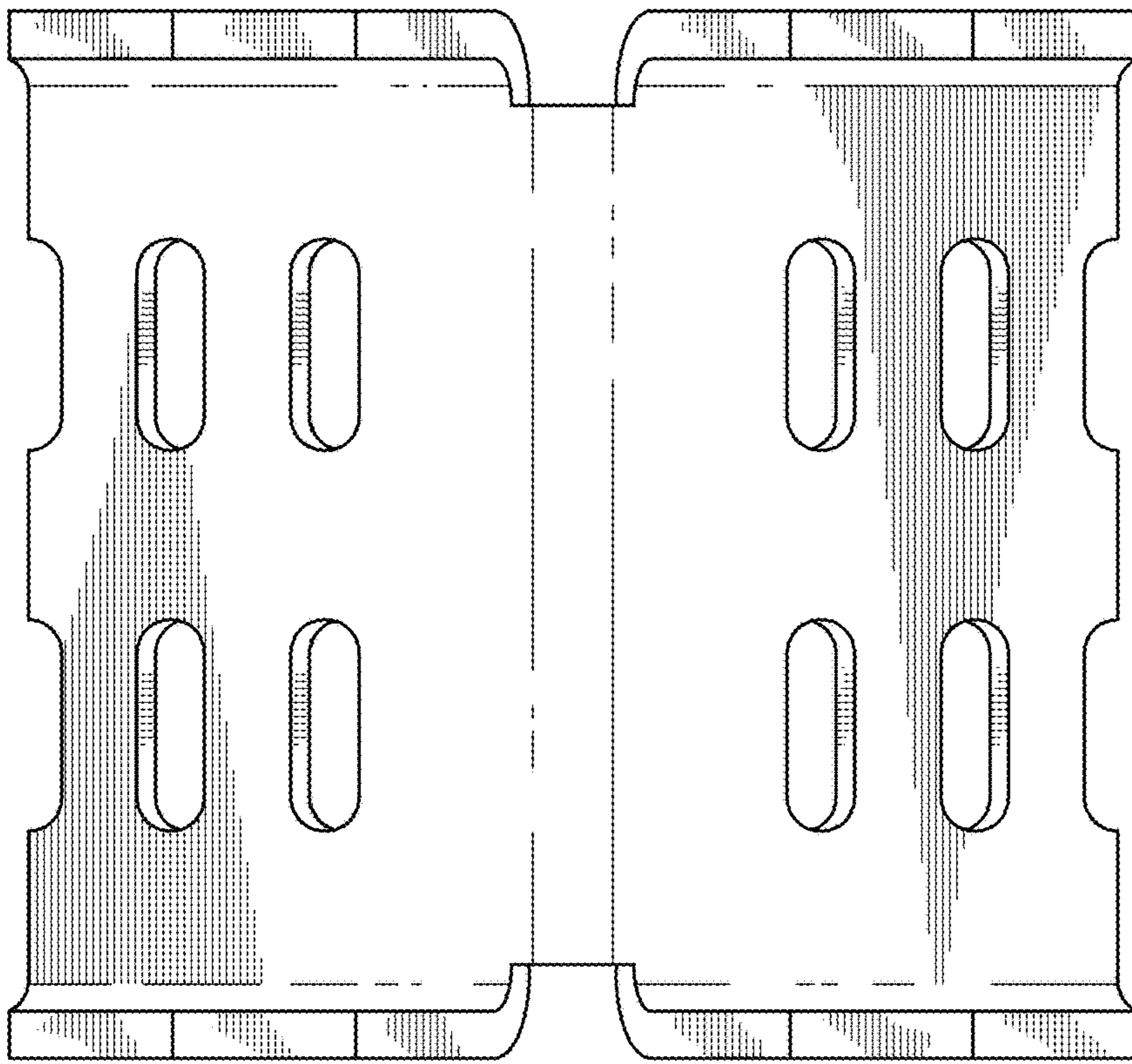


FIG. 2

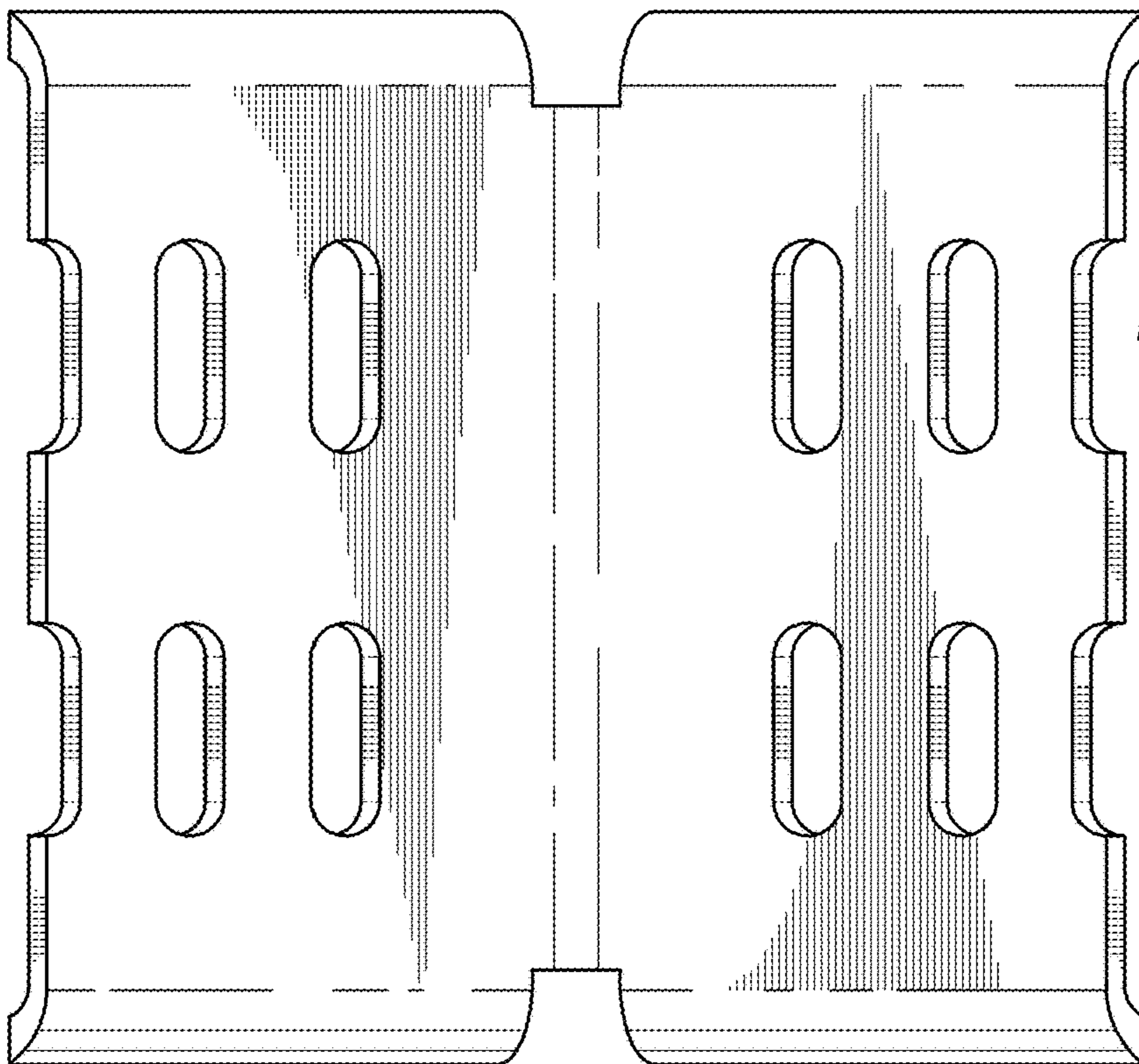


FIG. 3

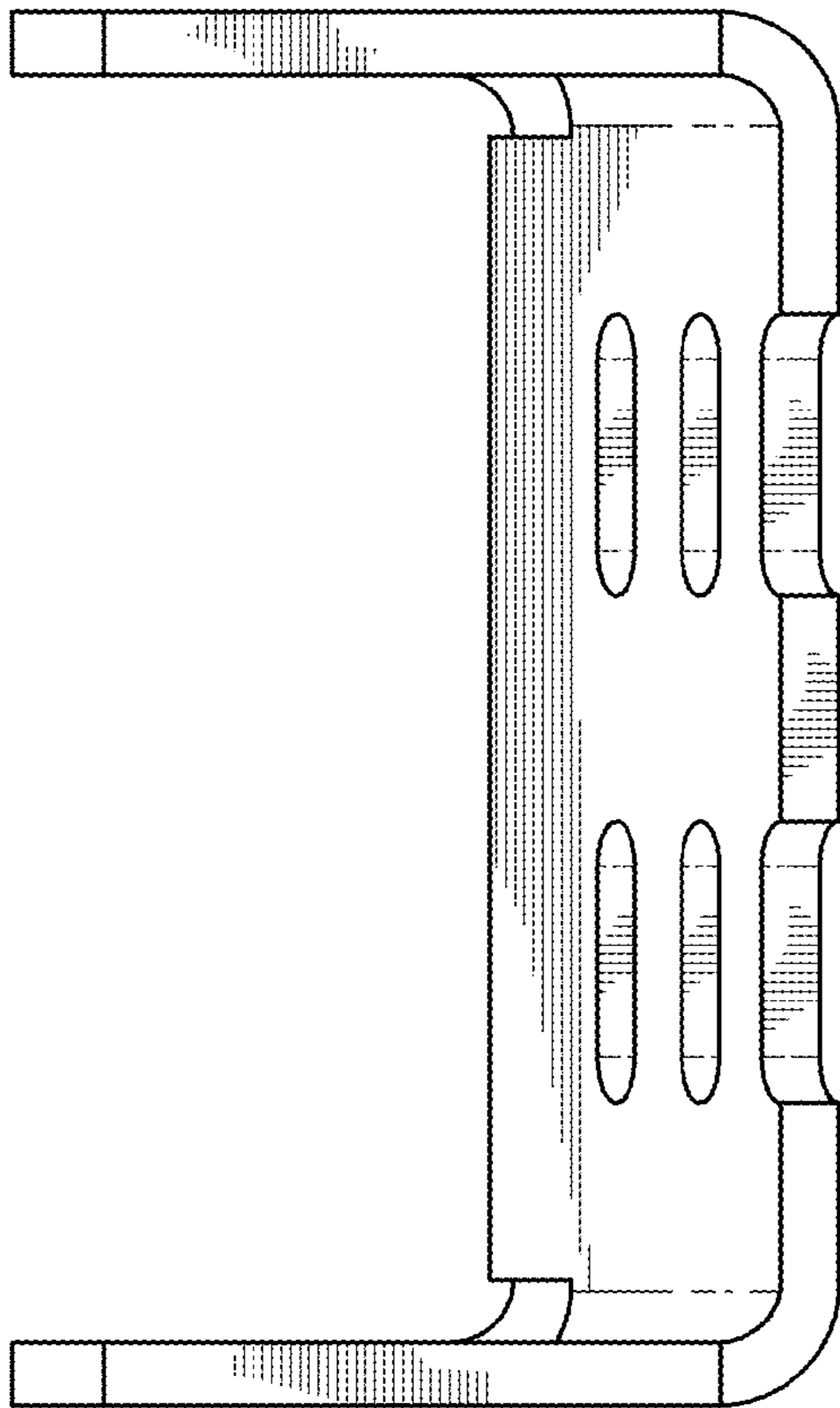


FIG. 4

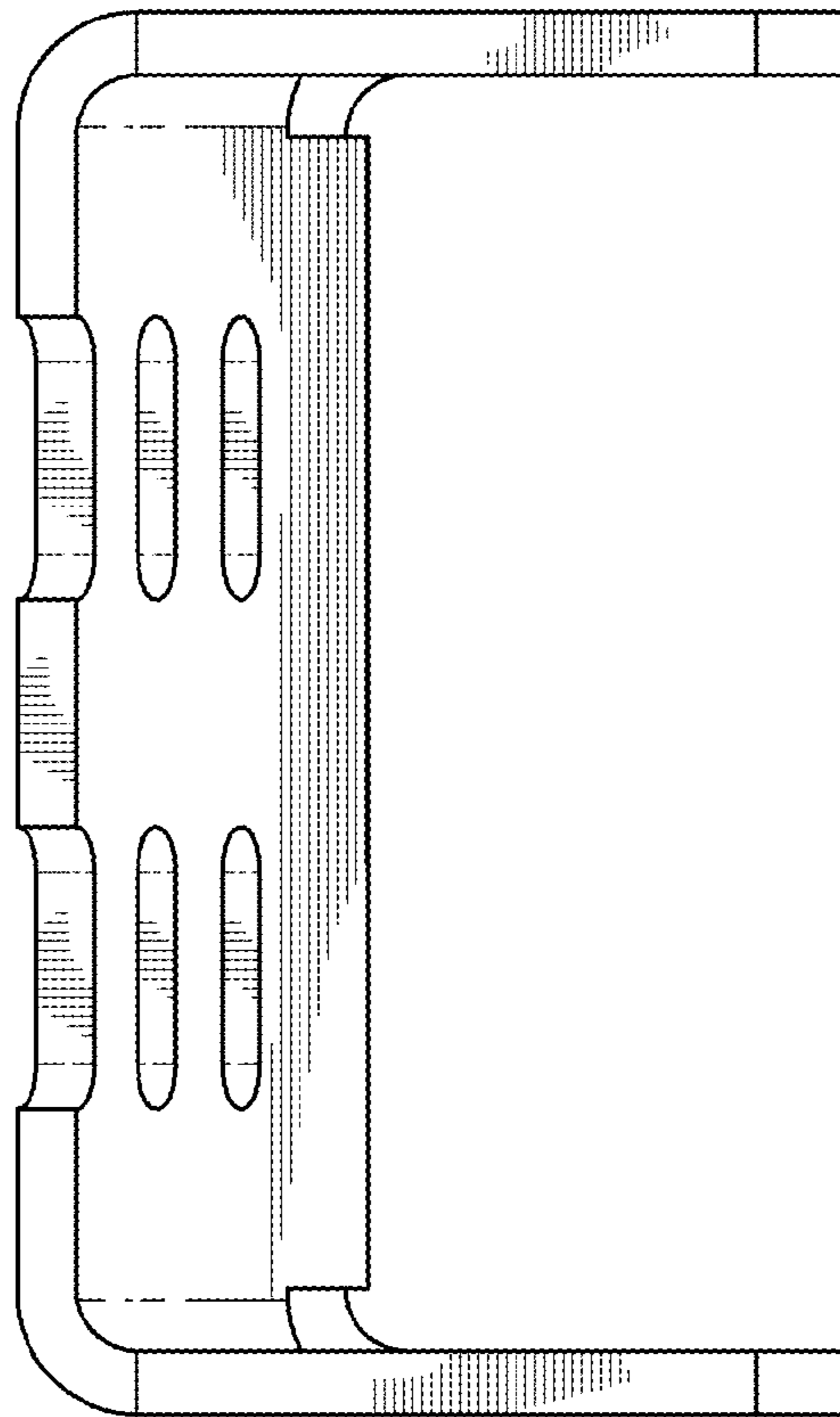


FIG. 5

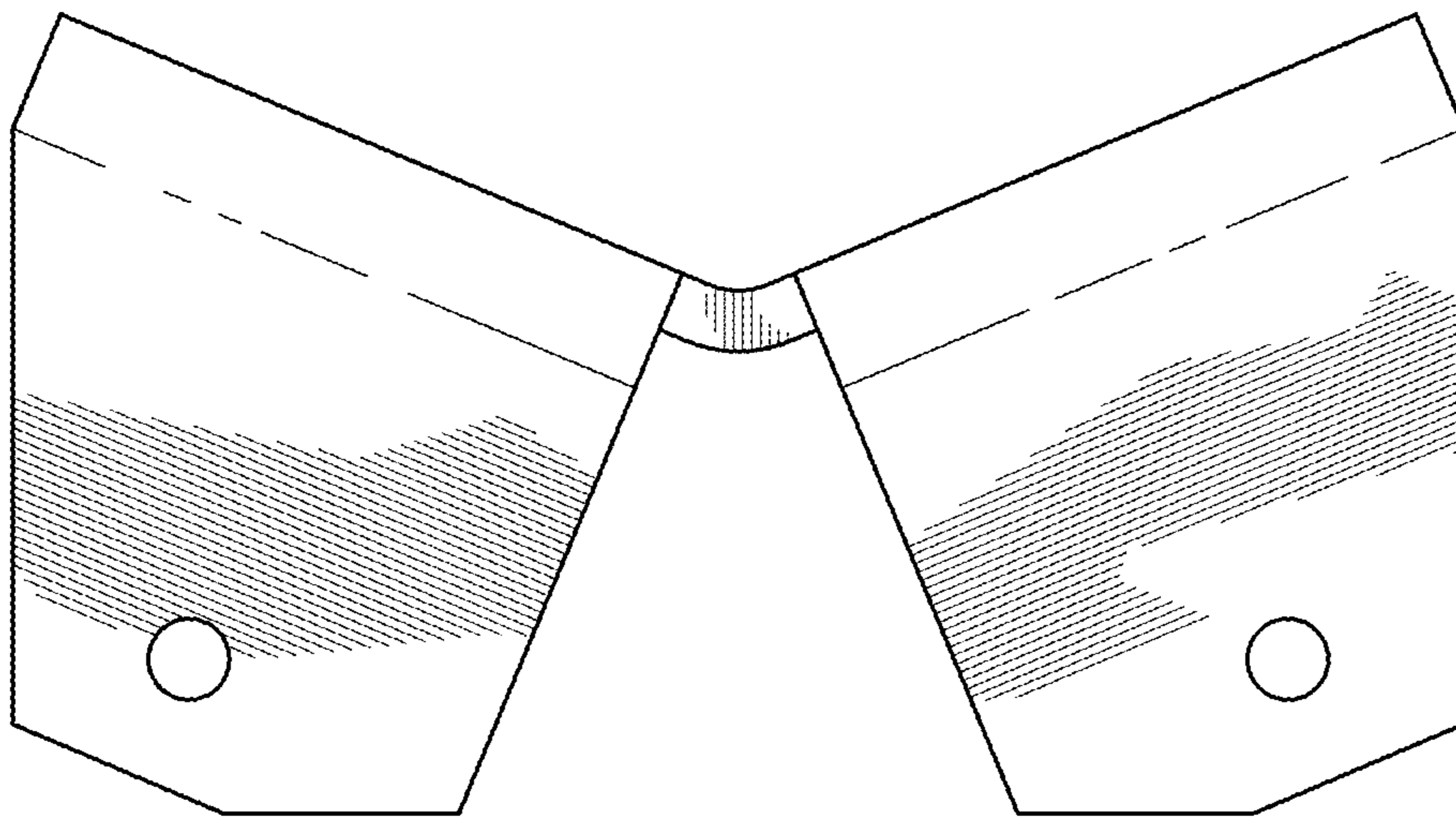


FIG. 6

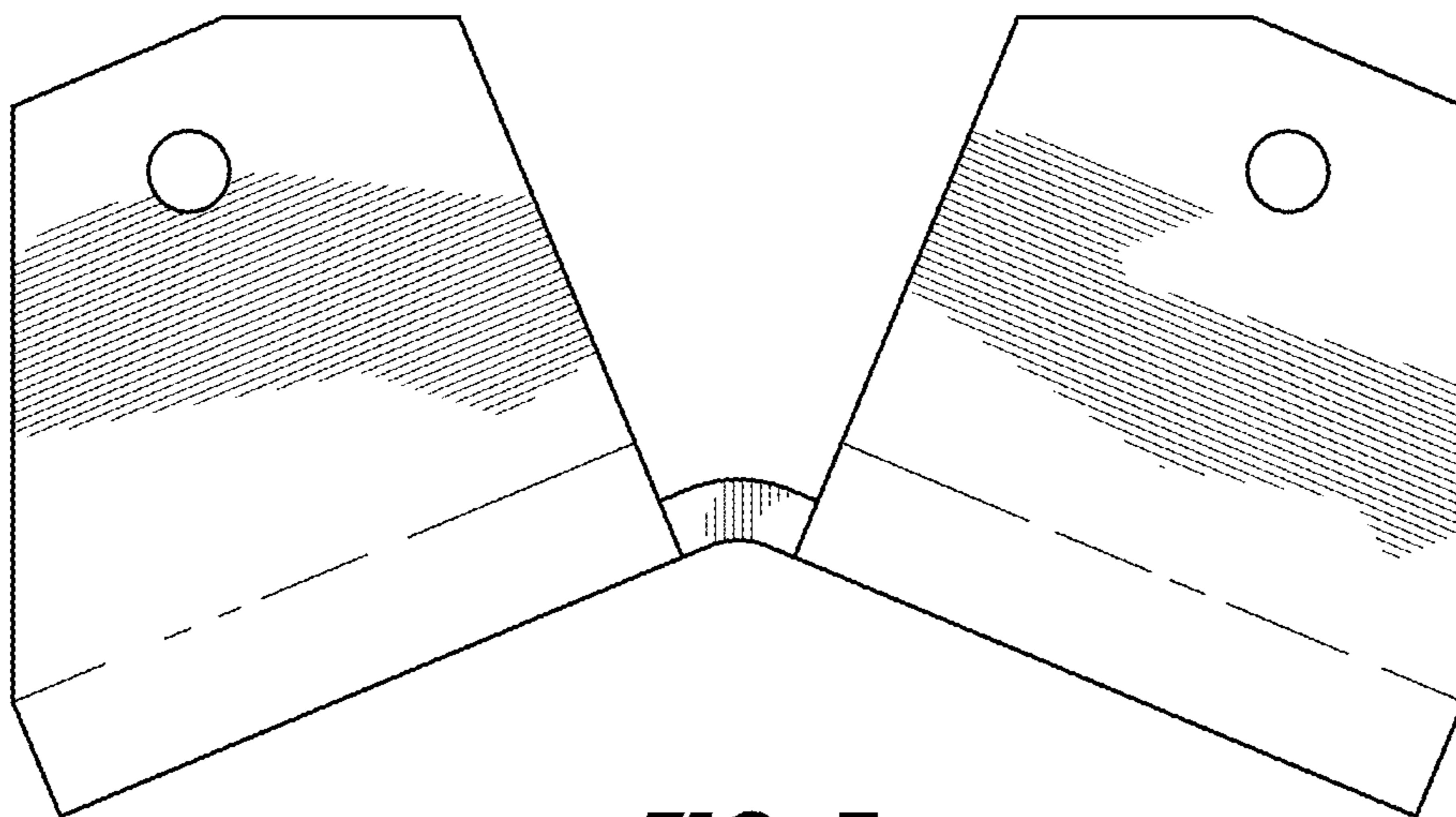


FIG. 7