



US00D919409S

(12) **United States Design Patent** (10) **Patent No.:** **US D919,409 S**
Zhu (45) **Date of Patent:** **** May 18, 2021**

(54) **LOCK STRAP**
(71) Applicant: **Lingling Zhu**, Zhejiang (CN)
(72) Inventor: **Lingling Zhu**, Zhejiang (CN)
(73) Assignee: **Ningbo Beilun Onefeng Sports Products Co., Ltd.**, Ningbo (CN)
(**) Term: **15 Years**
(21) Appl. No.: **29/669,228**
(22) Filed: **Nov. 6, 2018**
(51) **LOC (13) Cl.** **08-07**
(52) **U.S. Cl.**
USPC **D8/343**; D8/330
(58) **Field of Classification Search**
USPC D8/330-349, 382, 383, 394-396;
70/14-28, 57, 57.1, 58, 141-143, 114,
70/158, 224, 226, 431, 465, 30, 303 R,
70/49, 386; 292/299, 307 R
CPC .. E05B 73/0005; E05B 71/00; E05B 15/1614;
E05B 67/003; E05B 37/0031; E05B
37/02; E05B 37/08; E05B 69/00; E05B
67/06; E05B 73/00; E05B 67/36; E05B
37/00; E05B 65/52; E05B 73/0082; A01K
27/003; Y10S 24/35; F16B 45/02; B60P
7/083; B60P 7/0823
See application file for complete search history.

(56) **References Cited**
U.S. PATENT DOCUMENTS
D567,709 S * 4/2008 Cho D11/216
D585,331 S * 1/2009 Kumazaki D11/216
D637,478 S * 5/2011 Kalbach D8/383
D639,642 S * 6/2011 Kalbach D8/383
D651,122 S * 12/2011 Vincent D11/216
D786,659 S * 5/2017 Wien Stringdahl D8/383
D820,064 S * 6/2018 Thompson D8/331

2002/0014096 A1* 2/2002 Kaneko A44B 11/263
70/58
2004/0075088 A1* 4/2004 Rard A44B 11/125
254/199
2008/0016921 A1* 1/2008 Yu E05B 37/0034
70/18

(Continued)

FOREIGN PATENT DOCUMENTS

CN 303499309 * 8/2015
CN 210203581 * 1/2019 A44B 11/25

(Continued)

OTHER PUBLICATIONS

Onefeng Sports Store, Onefeng Sports Lockable Tie Down Strap with 3 Stainless Steel Cables—2 Pack, Date first available Jan. 14, 2019, [online]retrieved Sep. 9, 2020, available from internet, www.amazon.com (Year: 2019).*

(Continued)

Primary Examiner — Keli L Hill
Assistant Examiner — Sara S Sahneh

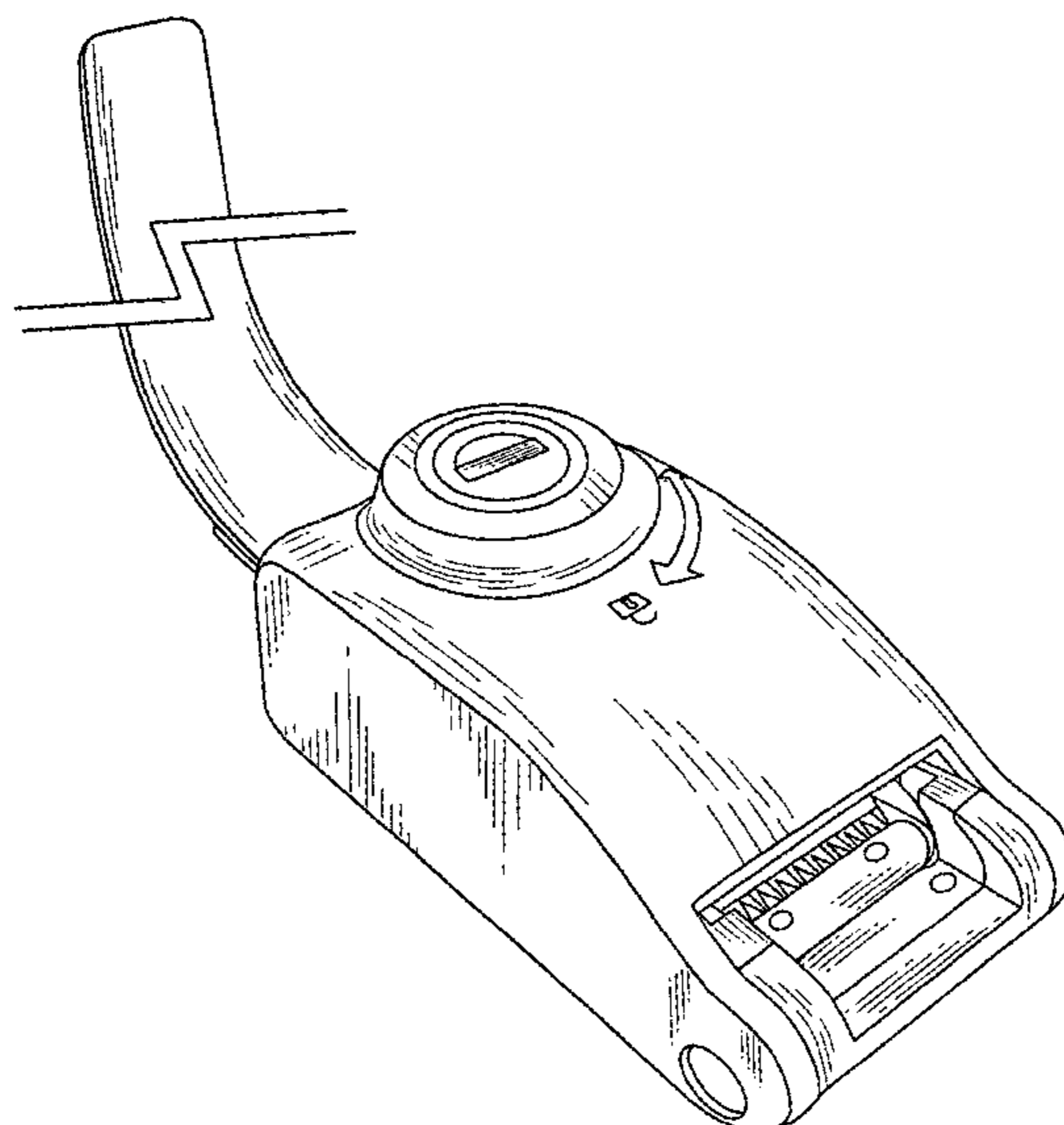
(57) **CLAIM**

I claim the ornamental design for a lock strap, as shown and described.

DESCRIPTION

FIG. 1 is a perspective view of a lock stray showing my new design;
FIG. 2 is a front elevational view thereof;
FIG. 3 is a rear elevational view thereof;
FIG. 4 is a left side elevational view thereof;
FIG. 5 is a right side elevational view thereof;
FIG. 6 is a top plan view thereof;
FIG. 7 is a bottom plan view thereof; and,
FIG. 8 is a perspective view thereof shown the open state.
The broken lines illustrate portions of the lock strap that form no part of the claimed design.

1 Claim, 8 Drawing Sheets



(56)

References Cited

U.S. PATENT DOCUMENTS

2008/0277914 A1* 11/2008 Carine B60R 22/48
280/801.1
2012/0110801 A1* 5/2012 Joubert B60P 7/0846
24/68 CD
2012/0246895 A1* 10/2012 Lee B60P 7/083
24/68 E

FOREIGN PATENT DOCUMENTS

CN 306030153 * 5/2020
KR 300847817.0000 * 3/2016
KR 301059315.0000 * 1/2020

OTHER PUBLICATIONS

Onefeng Sports Store, Onefeng Sports Tie Down Strap 13' Heavy Duty Cargo Strap for Kayak Canoe SUP, Date first available Sep. 20, 2018, [online]retrieved Sep. 9, 2020, available from internet, www.amazon.com (Year: 2018).*

Thule Store, Thule Lockable Strap, One Color, One Size, Date first available Oct. 3, 2012, [online]retrieved Sep. 9, 2020, available from internet, www.amazon.com (Year: 2012).*

Keenso, 8ft 1 inch Tie Down Cargo Straps, Keenso Car Motorcycle Tie Down Straps Lockable Reinforced Cargo Strap Luggage Lashing Ratchet Belt Buckle, Date first available Nov. 14, 2018, [online]retrieved Sep. 9, 2020, available from internet, www.amazon.com (Year: 2018).*

* cited by examiner

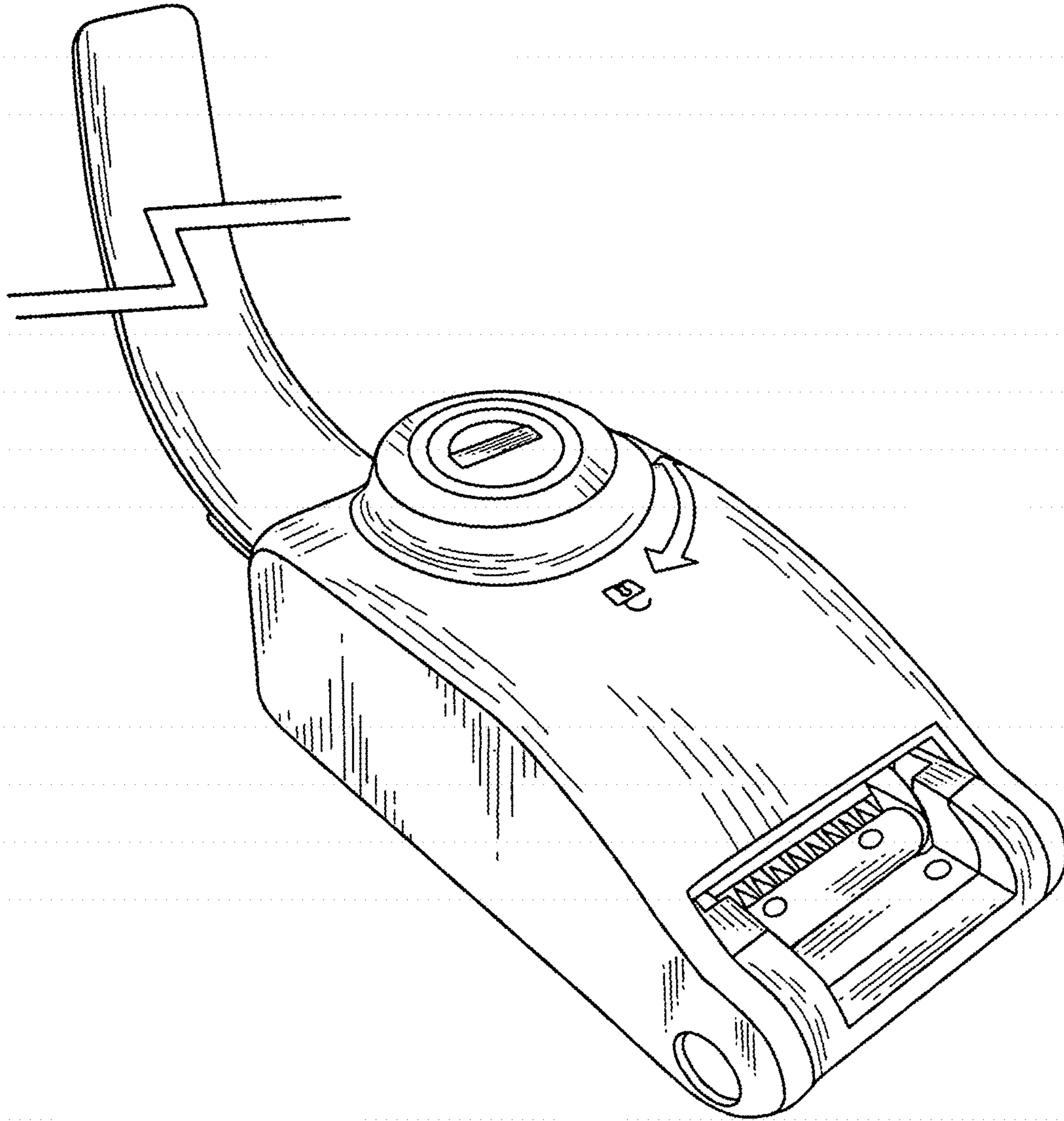


FIG. 1

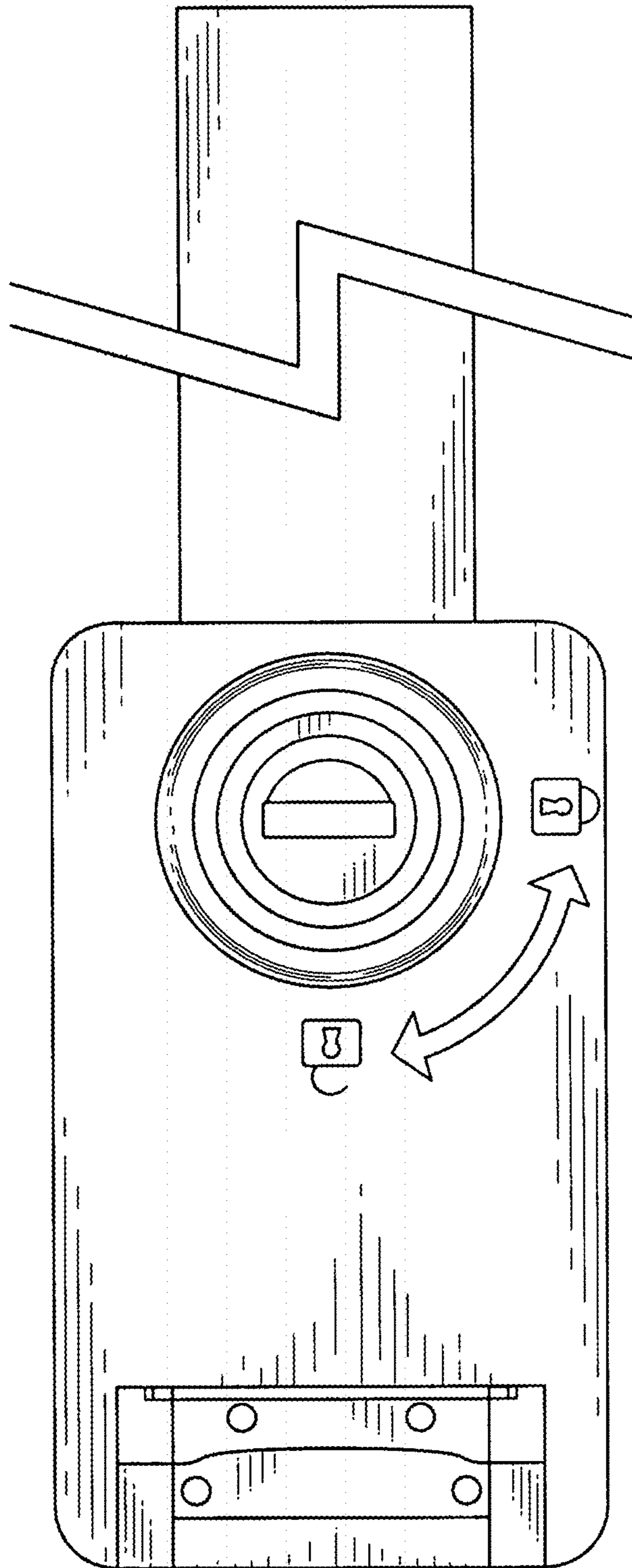


FIG. 2

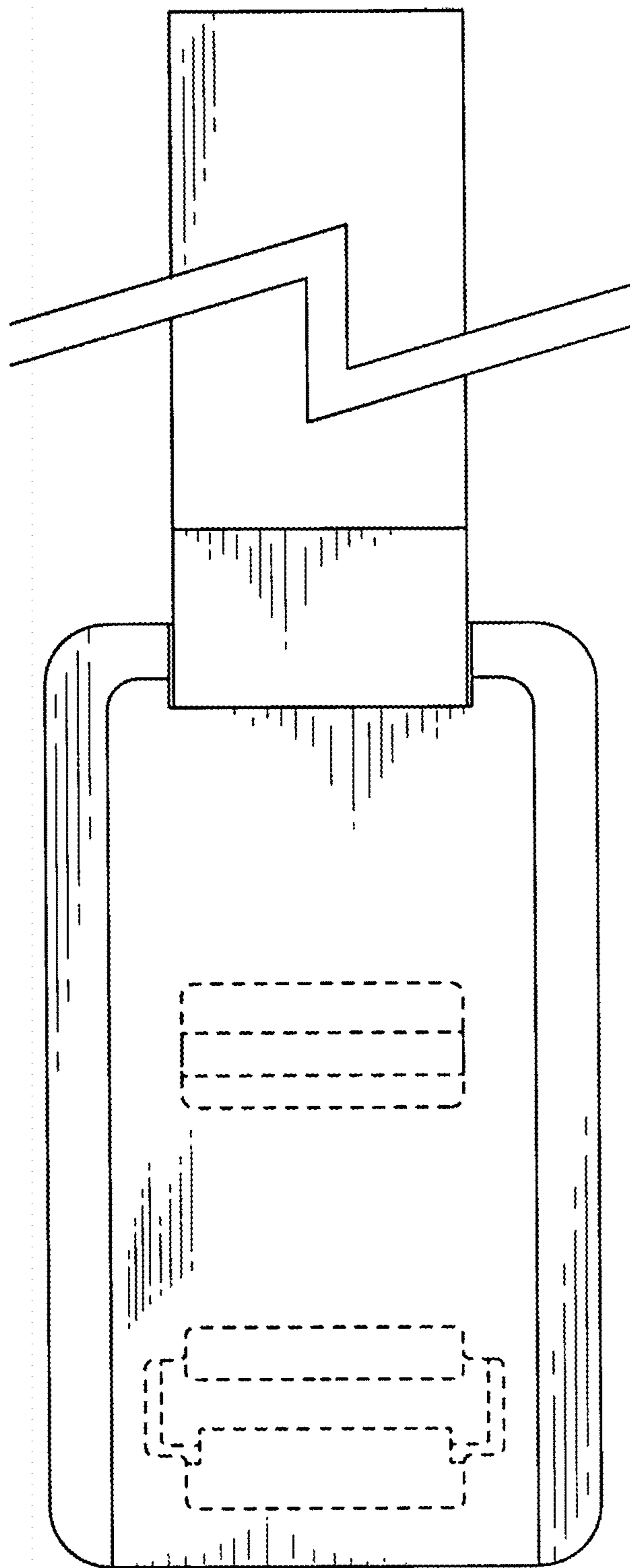


FIG. 3

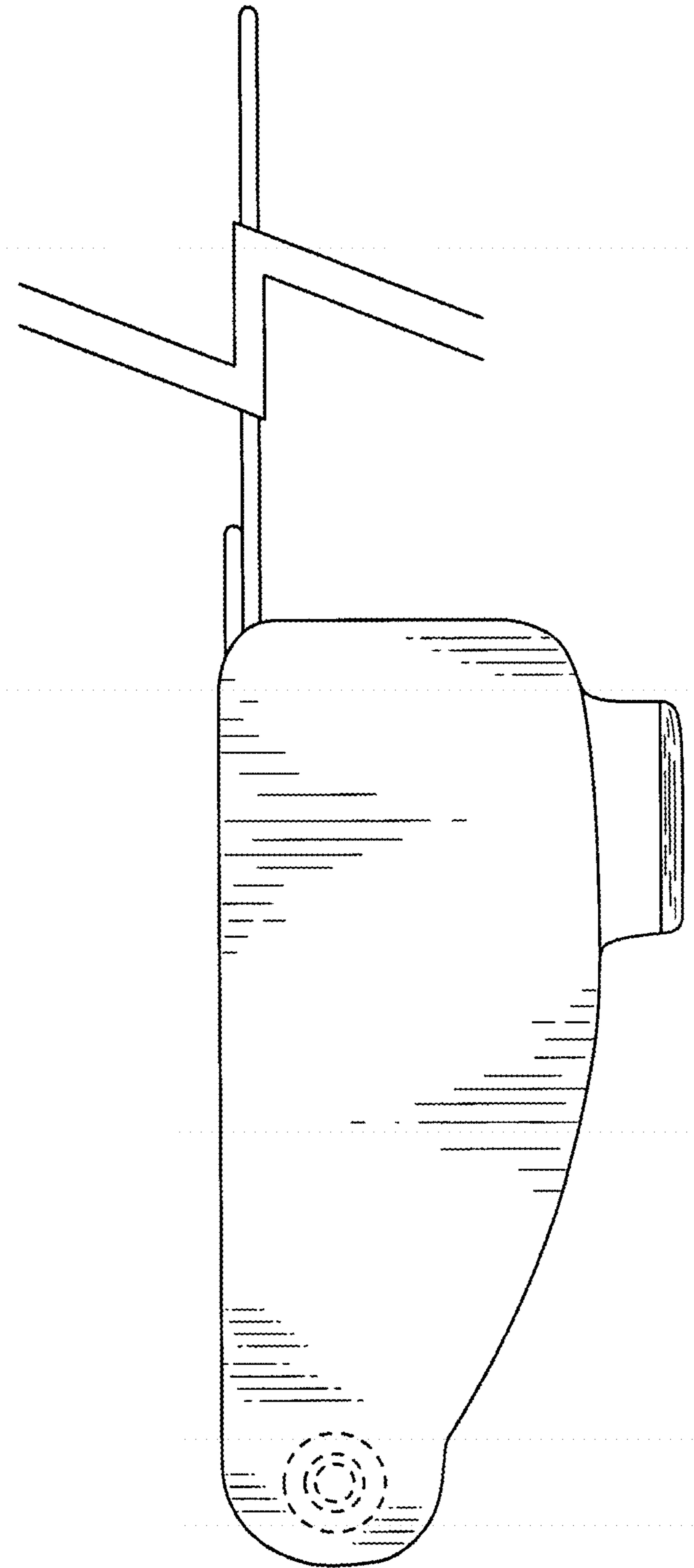


FIG. 4

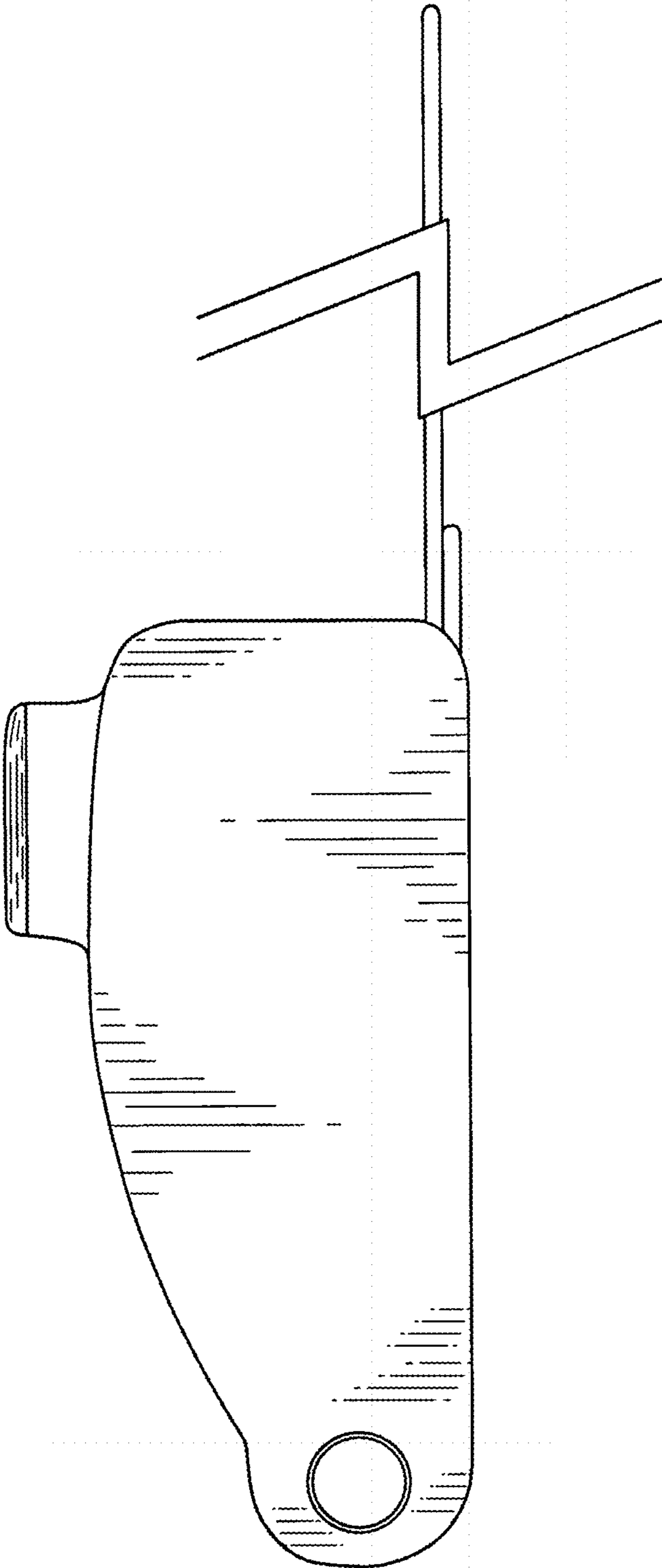


FIG. 5

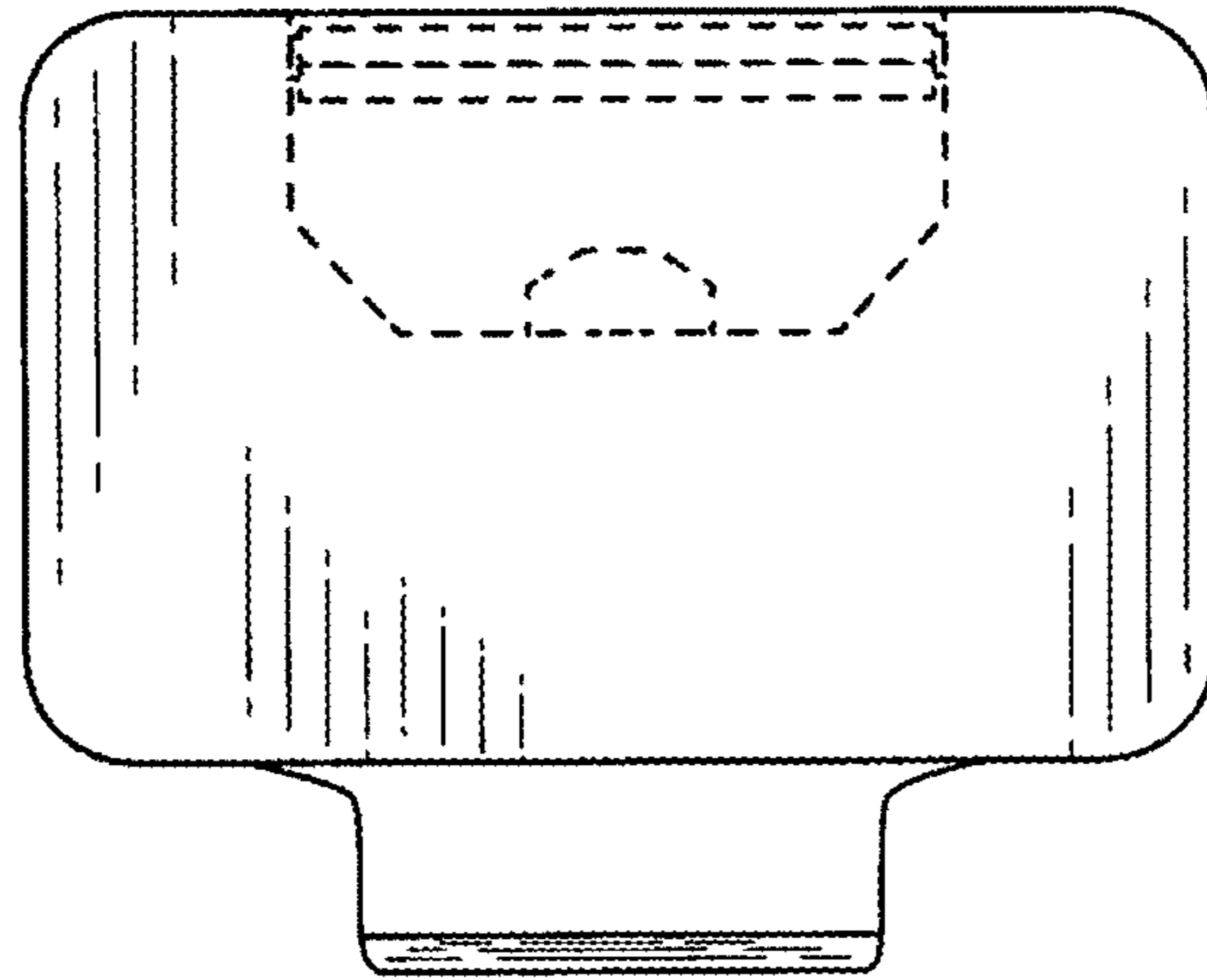


FIG. 6

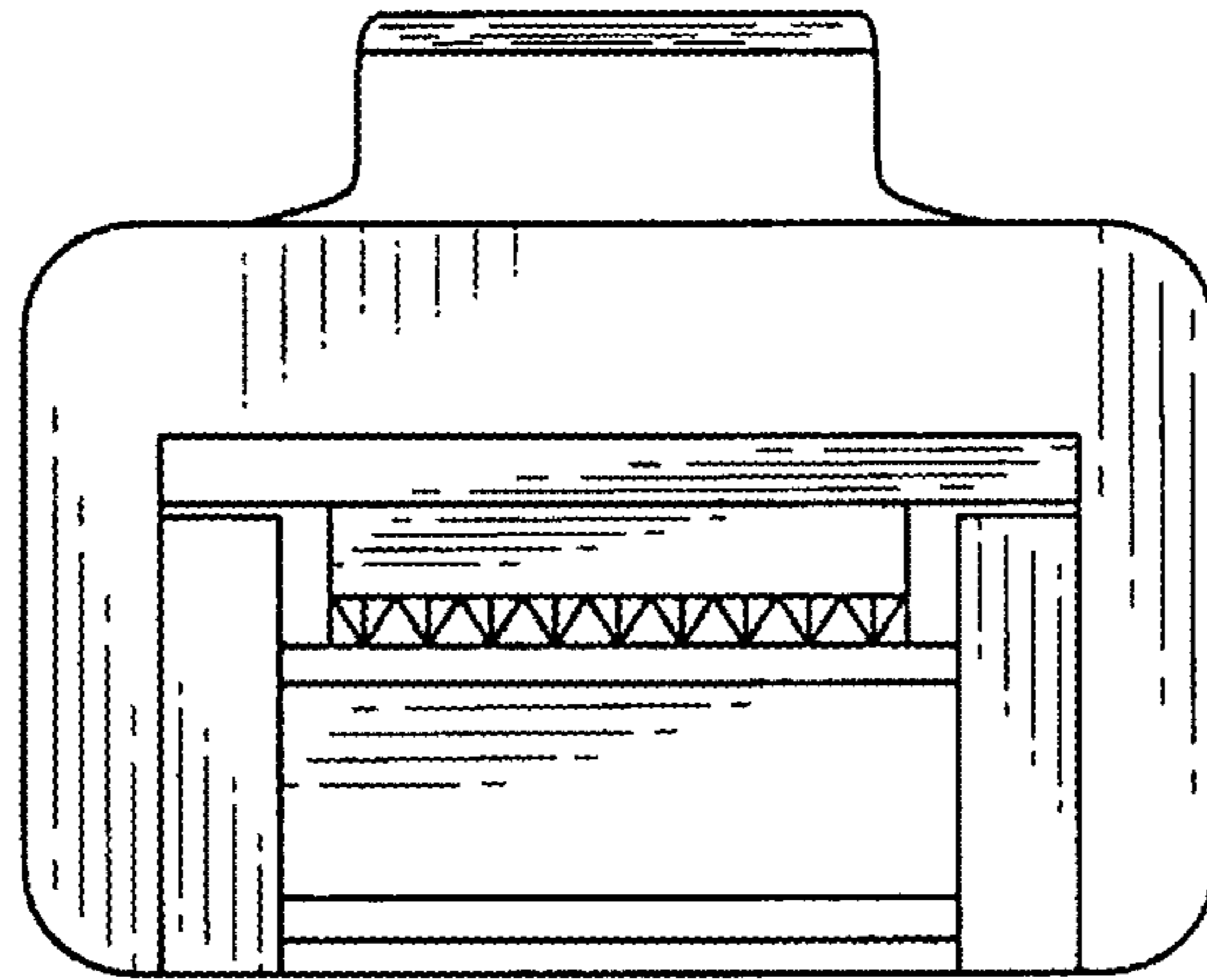


FIG. 7

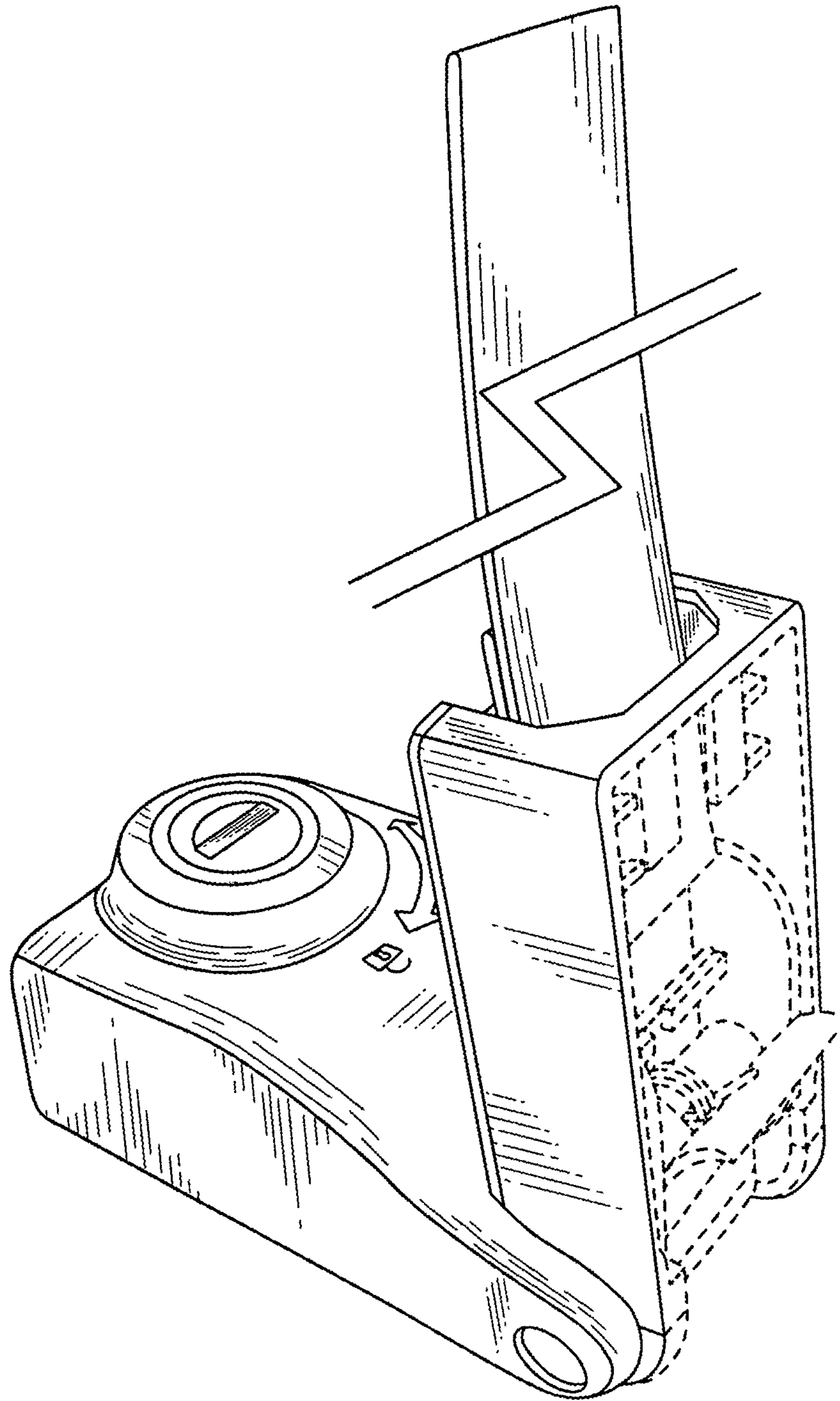


FIG. 8