



US00D919408S

(12) **United States Design Patent**
King, Jr.

(10) **Patent No.:** **US D919,408 S**
(45) **Date of Patent:** **** May 18, 2021**

- (54) **CHIPPING HAMMER ADAPTER HANDLE**
- (71) Applicant: **Skitter & Squirt Adventures, LLC**,
Missoula, MT (US)
- (72) Inventor: **Jack M. King, Jr.**, Phoenix, AZ (US)
- (73) Assignee: **Skitter & Squirt Adventures, LLC**,
Missoula, MT (US)
- (**) Term: **15 Years**

D279,378 S *	6/1985	Larsson	D15/138
D342,882 S *	1/1994	Mann	D8/72
D365,263 S *	12/1995	Sorensen	D8/22
5,538,210 A *	7/1996	Ohmori	F16L 3/04
				248/222.12
D401,941 S *	12/1998	Slappey	D14/253
D417,377 S *	12/1999	Blank	D8/72
D417,378 S *	12/1999	Smith	D8/72
D418,033 S *	12/1999	Svedberg	D34/31
6,021,854 A *	2/2000	Scarola	B25F 5/021
				173/141

(Continued)

(21) Appl. No.: **29/688,208**

(22) Filed: **Apr. 18, 2019**

Related U.S. Application Data

(63) Continuation-in-part of application No. 16/216,024, filed on Dec. 11, 2018, now Pat. No. 10,668,610, which is a continuation-in-part of application No. 15/961,286, filed on Apr. 24, 2018, now abandoned, and a continuation-in-part of application No. 29/645,213, filed on Apr. 24, 2018, now Pat. No. Des. 917,262.

(51) **LOC (13) Cl.** **08-07**

(52) **U.S. Cl.**
USPC **D8/339**

(58) **Field of Classification Search**
USPC D8/70, 71, 72, 105, 330, 331, 339, 344,
D8/394; D15/28, 138, 141, 147
CPC B25D 17/32; B25D 17/043; B25D 17/20;
B25D 17/04; B25D 2222/69; B25D
2222/57; B25D 2222/03; B25D
2217/0057; B25D 2217/0073; E04G
23/006

See application file for complete search history.

(56) **References Cited**

U.S. PATENT DOCUMENTS

2,465,192 A *	3/1949	Booth	E04G 23/006
				299/37.4
4,009,908 A *	3/1977	Alinder	E04G 23/006
				299/37.1

OTHER PUBLICATIONS

ExoRam, dustram.com, <https://www.dustram.com/products/exoram-standing-tile-removal-tool-for-bosch-11264evs-hammer/> (Year: 2020).*

(Continued)

Primary Examiner — Steven J Czyz

(74) *Attorney, Agent, or Firm* — Lisa Foundation Patent Law Clinic at Arizona State University

(57) **CLAIM**

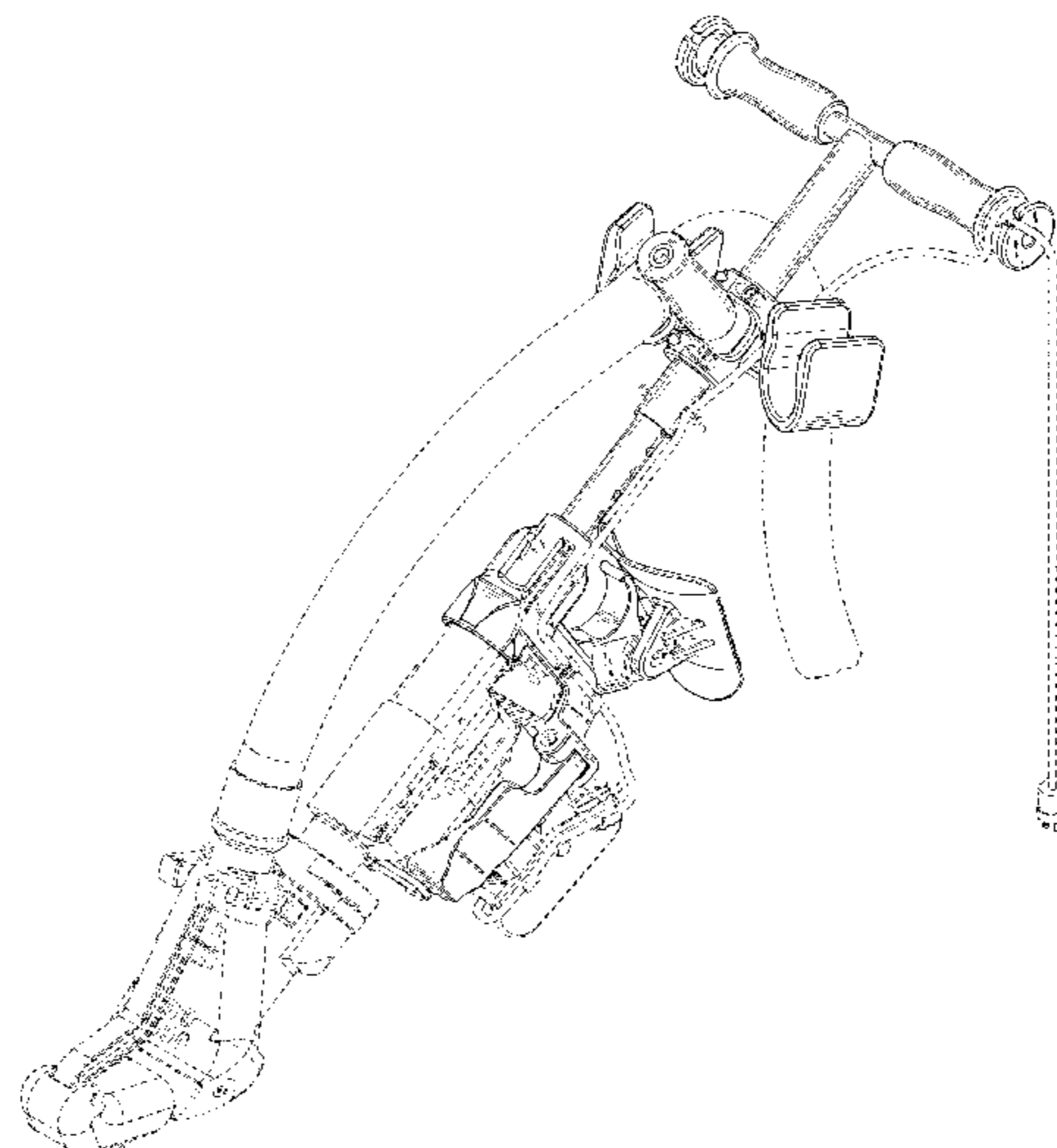
The ornamental design for a chipping hammer adapter handle, as shown and described.

DESCRIPTION

FIG. 1 is a front view of a chipping hammer adapter handle; FIG. 2 is a top view thereof; FIG. 3 is a right side view thereof; FIG. 4 is a left side view thereof; FIG. 5 is a bottom view thereof; FIG. 6 is a rear view thereof; and, FIG. 7 is an isometric view thereof.

The broken lines depict portions of the article and environment that form no part of the claimed design.

1 Claim, 7 Drawing Sheets



(56)

References Cited

U.S. PATENT DOCUMENTS

D421,564 S * 3/2000 Fortune D8/394
 D429,984 S * 8/2000 Cummings D8/72
 D439,820 S * 4/2001 Yang D8/71
 D489,597 S * 5/2004 Fulcher D8/330
 6,786,556 B2 * 9/2004 Due B24B 7/186
 299/36.1
 D503,941 S * 4/2005 Andersen D15/131
 D522,338 S * 6/2006 Heun D8/70
 D567,618 S * 4/2008 Agronin D8/71
 D643,272 S * 8/2011 Casteel D8/72
 D677,545 S * 3/2013 Sell D8/70
 D698,223 S * 1/2014 Moreau D8/330
 D709,753 S * 7/2014 Guala D8/330
 8,991,779 B2 * 3/2015 McGougan B25D 17/28
 248/548
 D730,141 S * 5/2015 Moss D8/70
 D736,073 S * 8/2015 Eriksson D8/394
 D777,020 S * 1/2017 Zlatic D8/394
 D786,660 S * 5/2017 Cacciabeve D8/394
 D795,684 S * 8/2017 Cacciabeve B60Q 3/35
 D8/394
 D797,549 S * 9/2017 Dew D8/394
 9,791,101 B1 * 10/2017 Frankel A47C 7/58
 9,844,868 B1 * 12/2017 Abbey B25D 17/24
 D824,239 S * 7/2018 Anwar D8/339
 D849,497 S * 5/2019 Wang D8/71
 D880,802 S * 4/2020 Schenone D34/27
 D887,235 S * 6/2020 King, Jr. D8/47
 D887,260 S * 6/2020 Russell D8/394
 D888,522 S * 6/2020 Howseman, Jr. D8/71
 10,668,610 B2 * 6/2020 King, Jr. B25F 5/006

2004/0135044 A1 * 7/2004 Radermacher F16M 11/242
 248/170
 2007/0228805 A1 * 10/2007 Due E01C 23/124
 299/37.1
 2008/0202264 A1 * 8/2008 Howland B25F 5/00
 74/156
 2009/0101378 A1 * 4/2009 Barrows B25D 9/145
 173/135
 2010/0059949 A1 * 3/2010 Kennard B25D 17/043
 280/47.21
 2010/0233938 A1 * 9/2010 Brunner B24B 55/10
 451/28
 2012/0260456 A1 * 10/2012 King, Jr. B23Q 11/0046
 15/362
 2012/0260458 A1 * 10/2012 King, Jr. A47L 9/02
 15/415.1
 2016/0136799 A1 * 5/2016 Morissette B25D 17/32
 173/1
 2016/0288478 A1 * 10/2016 Rodriguez B32B 43/006
 2017/0138072 A1 * 5/2017 Taily B28D 1/28
 2018/0085907 A1 * 3/2018 Wilson B62B 3/022
 2018/0111203 A1 * 4/2018 Moore B23B 45/003
 2019/0061131 A1 * 2/2019 Bindhammer B25D 16/006
 2019/0283228 A1 * 9/2019 Jing B25D 17/043
 2019/0321959 A1 * 10/2019 King, Jr. E01C 23/124
 2020/0189058 A1 * 6/2020 King, Jr. B23Q 11/0071

OTHER PUBLICATIONS

ExoRam Image, dustram.com, https://www.dustram.com/wp-content/uploads/2019/07/IMG_2515trans.png (Year: 2020).*
 ExoRam Assembly, youtube.com, <https://www.youtube.com/watch?v=onRSnZRuUoY&t=3s> (Year: 2018).*

* cited by examiner

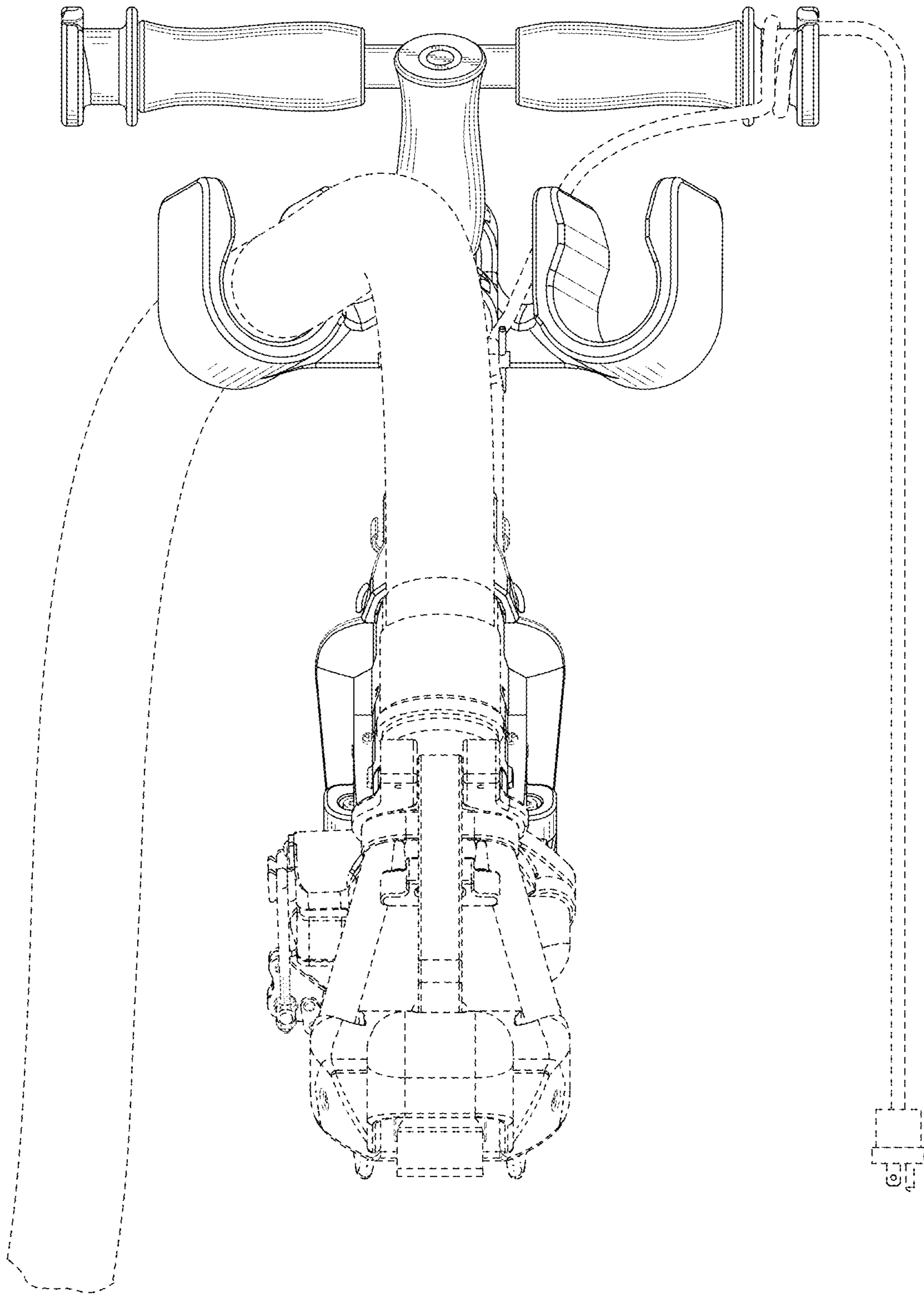


FIG. 1

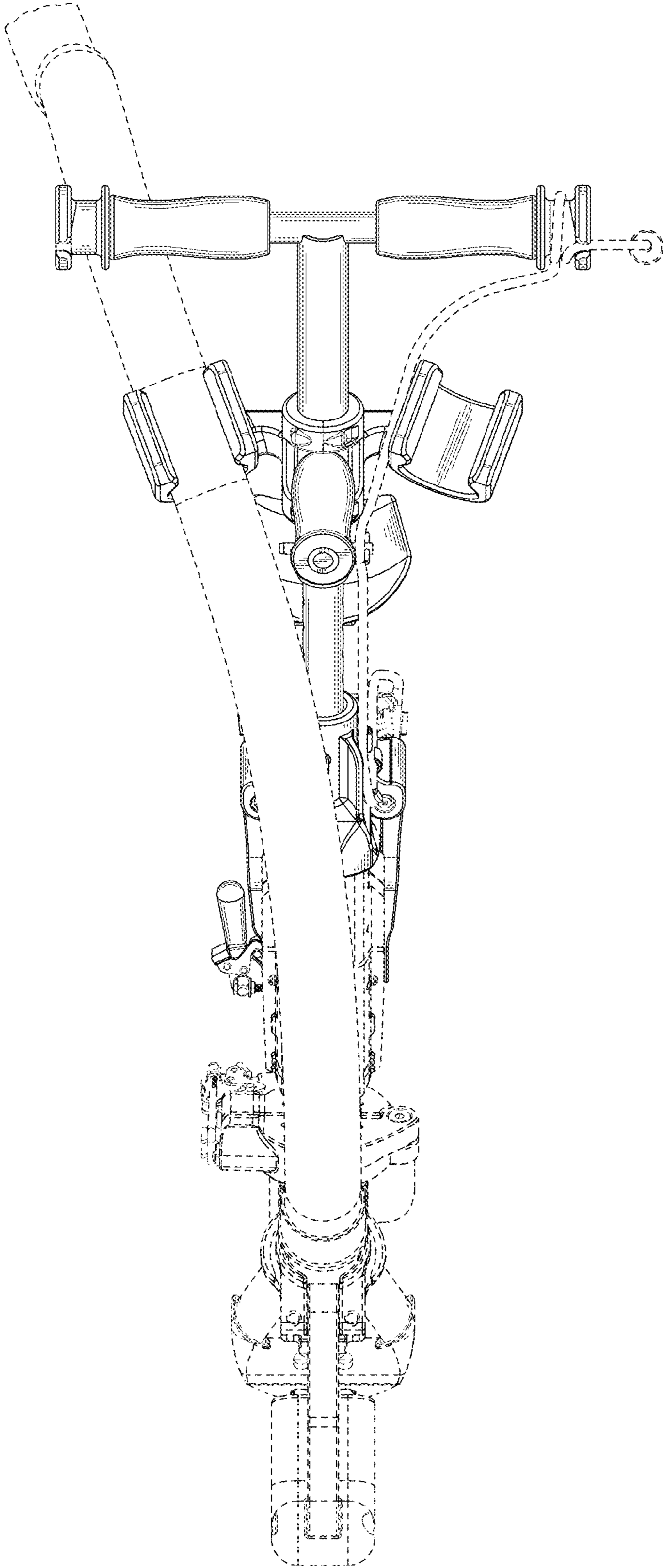


FIG. 2

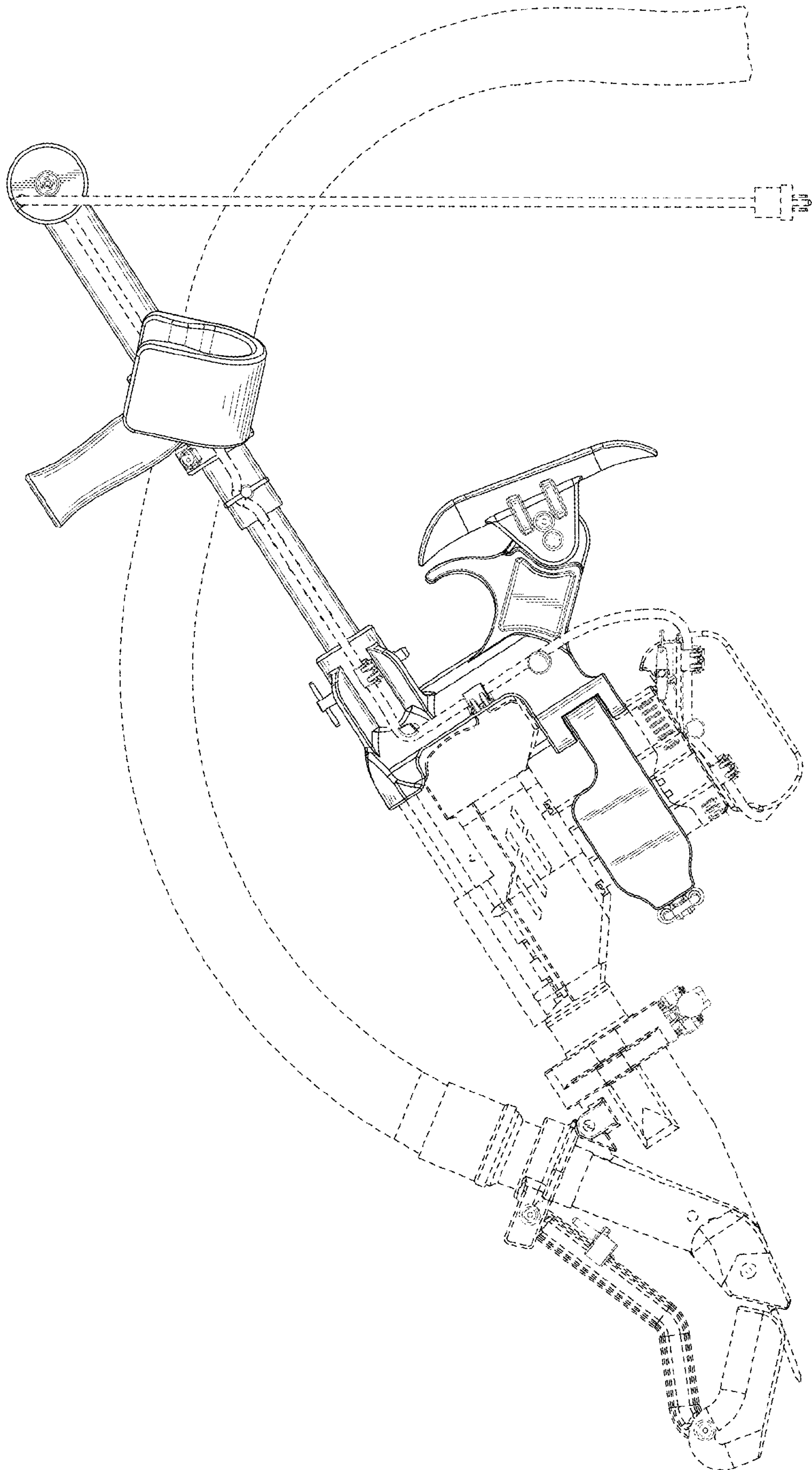


FIG. 3

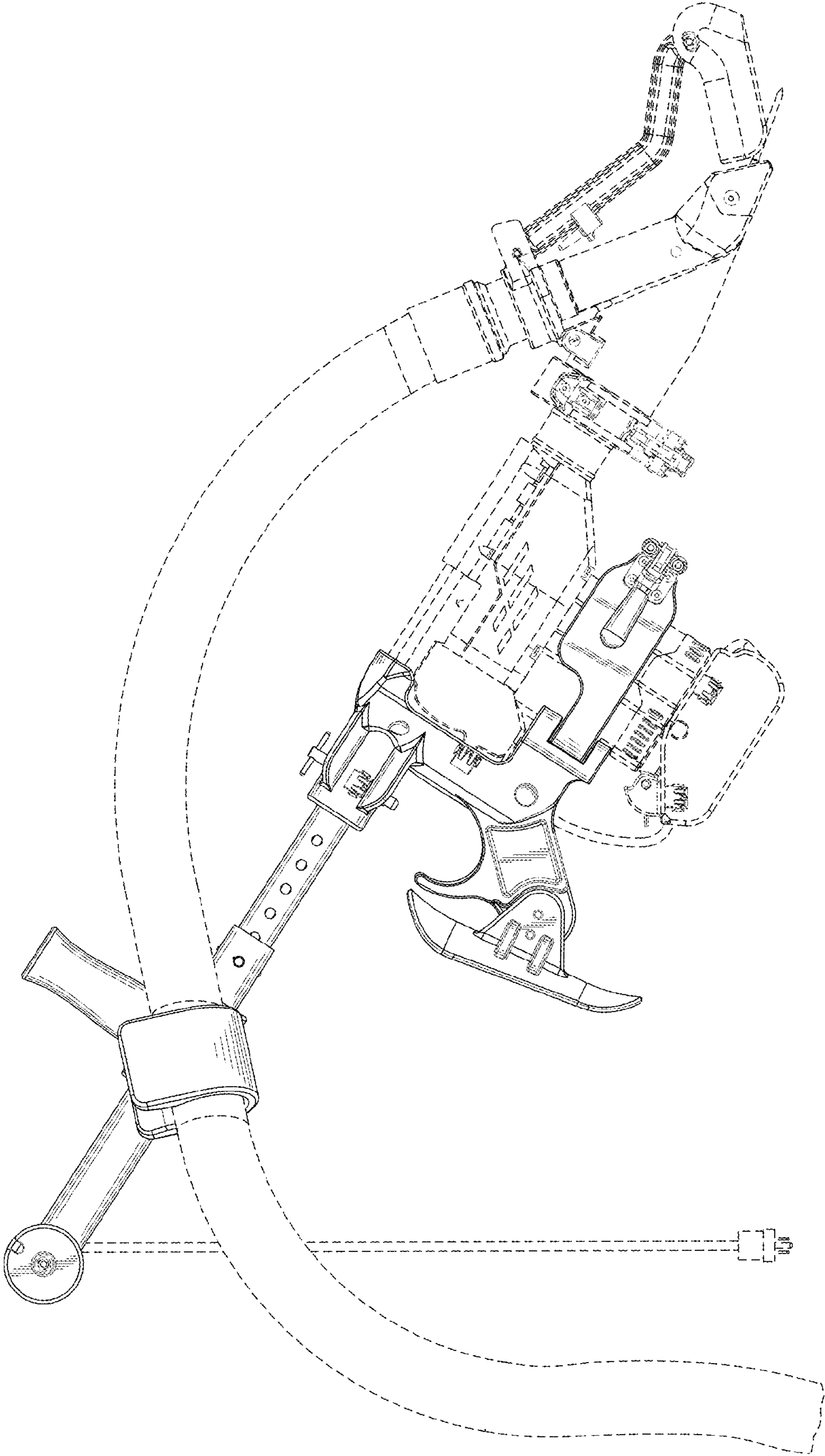


FIG. 4

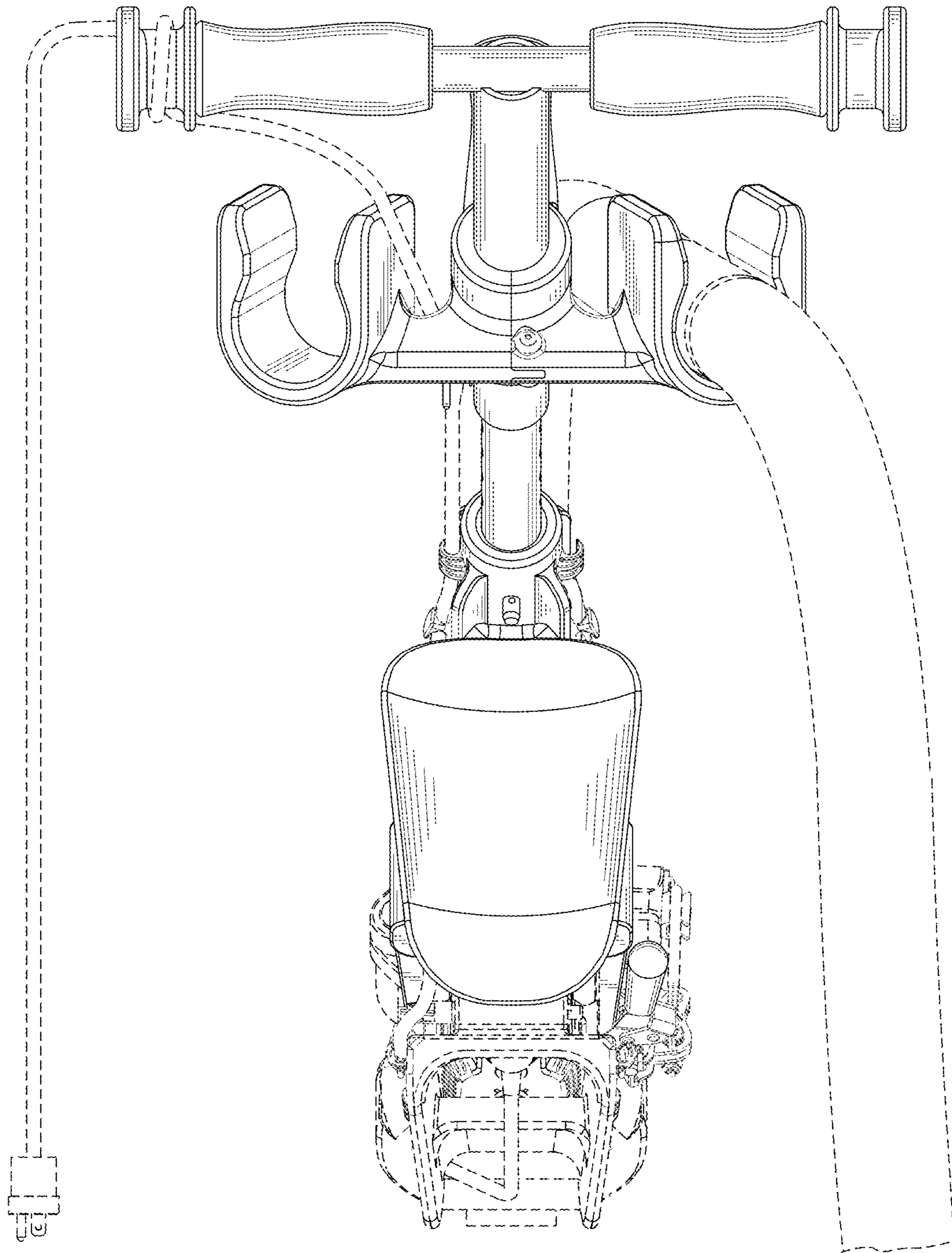


FIG. 5

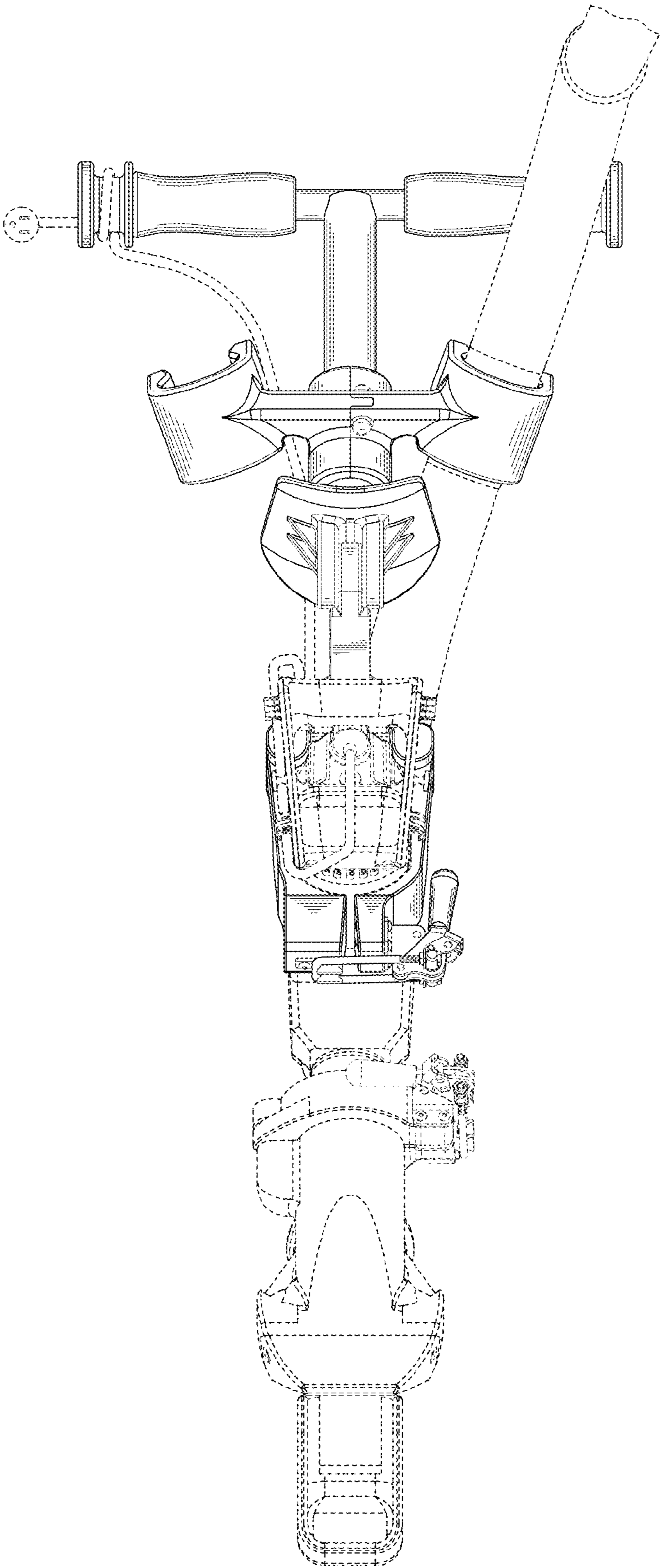


FIG. 6

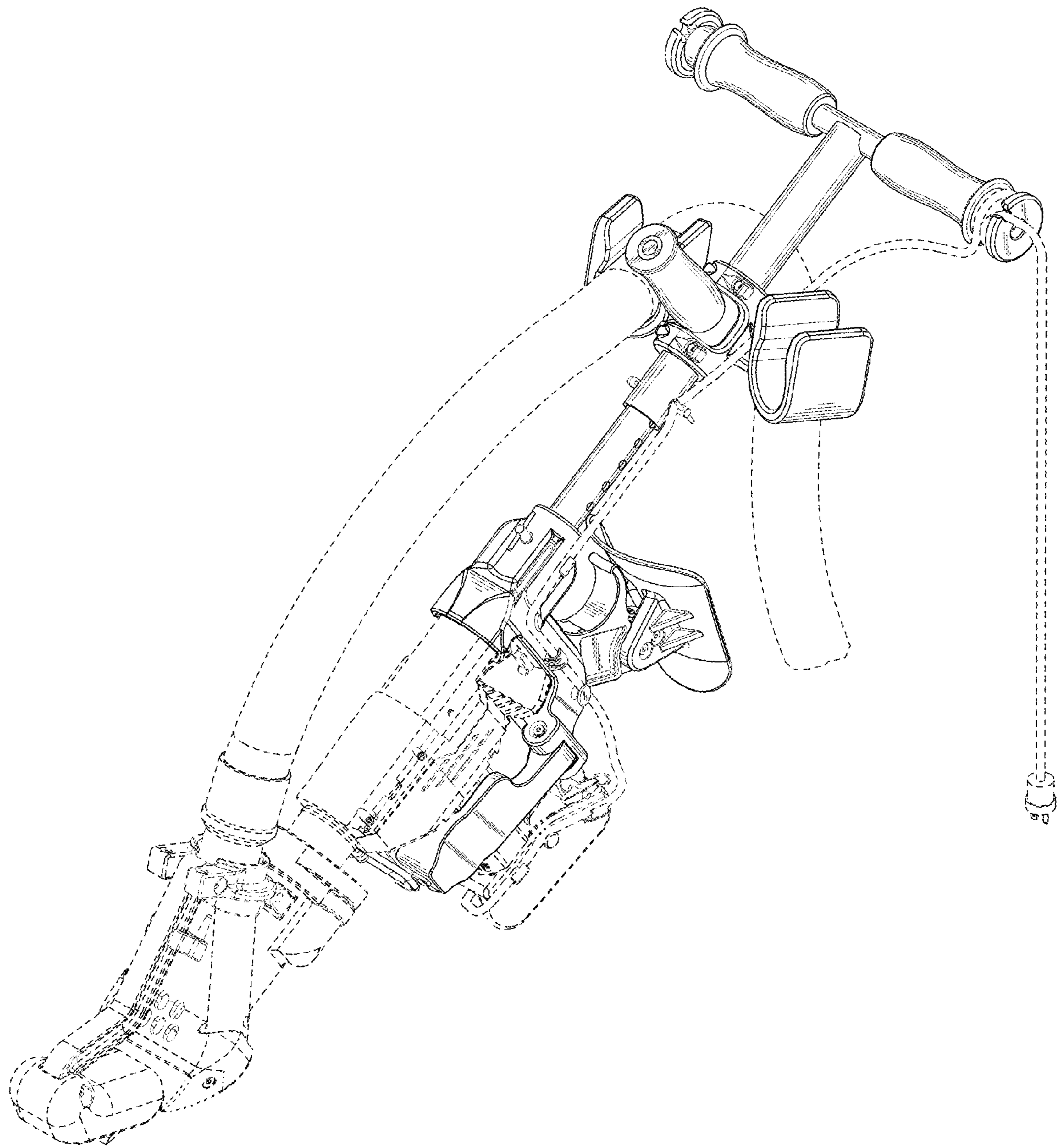


FIG. 7