



US00D919407S

(12) **United States Design Patent**  
**Lindo et al.**

(10) **Patent No.:** **US D919,407 S**

(45) **Date of Patent:** **\*\* May 18, 2021**

(54) **HINGE**

(71) Applicant: **Southco, Inc.**, Concordville, PA (US)

(72) Inventors: **Benjamin Gerald Lindo**, Concordville, PA (US); **Glenn Eric Anderson**, Concordville, PA (US)

(73) Assignee: **Southco, Inc.**, Concordville, PA (US)

(\*\*) Term: **15 Years**

(21) Appl. No.: **29/722,698**

(22) Filed: **Jan. 31, 2020**

(51) **LOC (13) Cl.** ..... **08-06**

(52) **U.S. Cl.**  
USPC ..... **D8/323**

(58) **Field of Classification Search**  
USPC ..... D8/323, 327, 328, 329; 16/250, 251  
CPC .. E05D 1/00; E05D 11/06; E05D 5/11; E05D 3/02; E05D 1/02; E05D 11/082; E05D 5/12; A47K 13/12

See application file for complete search history.

(56) **References Cited**

**U.S. PATENT DOCUMENTS**

4,163,303	A *	8/1979	Hanna	.....	E05D 1/02
					16/227
4,630,333	A *	12/1986	Vickers	.....	E05D 11/082
					16/338
5,412,842	A *	5/1995	Riblett	.....	E05D 5/12
					16/250
5,765,263	A *	6/1998	Bolinas	.....	E05D 7/0423
					16/342
D436,515	S *	1/2001	Sonntag	.....	D8/328
					(Continued)

**OTHER PUBLICATIONS**

APS Arosio Systems for Air Handling Units, downloaded from <http://www.apsarosio.com/schedaprodotto.php?idp=246>, 2015, 1 page.

*Primary Examiner* — Cynthia R Underwood  
(74) *Attorney, Agent, or Firm* — RatnerPrestia

(57) **CLAIM**

The ornamental design for a hinge, as shown and described.

**DESCRIPTION**

FIG. 1 is an isometric view of a hinge, as viewed from the top, front and right sides, and according to a first embodiment;

FIG. 2 is a top plan view thereof;

FIG. 3 is a bottom plan view thereof;

FIG. 4 is a left side elevation view thereof;

FIG. 5 is a right side elevation view thereof;

FIG. 6 is a front elevation view thereof;

FIG. 7 is a rear elevation view thereof;

FIG. 8 is an isometric view thereof as viewed from the bottom, front and left sides; and

FIG. 9 is an isometric view thereof as viewed from the top, front and right sides, wherein the hinge is shown in a rotated state.

FIG. 10 is an isometric view of a hinge, as viewed from the top, front and right sides, and according to a second embodiment;

FIG. 11 is a top plan view thereof;

FIG. 12 is a bottom plan view thereof;

FIG. 13 is a left side elevation view thereof;

FIG. 14 is a right side elevation view thereof;

FIG. 15 is a front elevation view thereof;

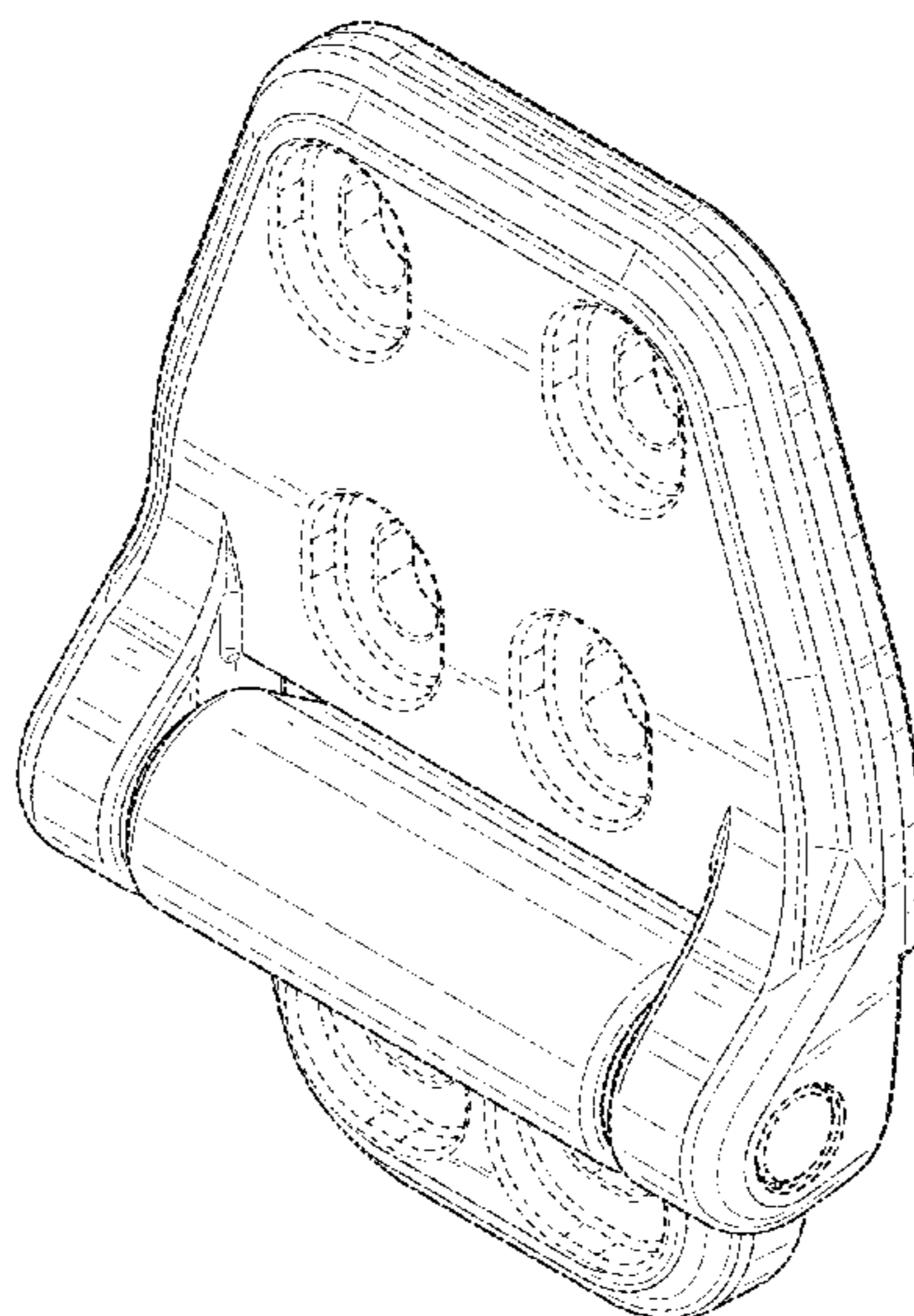
FIG. 16 is a rear elevation view thereof;

FIG. 17 is an isometric view thereof as viewed from the bottom, front and left sides; and,

FIG. 18 is an isometric view thereof as viewed from the top, front and right sides, wherein the hinge is shown in a rotated state.

The broken line showing of the hinge is for the purpose of illustrating portions of the hinge and forms no part of the claimed design.

**1 Claim, 14 Drawing Sheets**



(56)

**References Cited**

U.S. PATENT DOCUMENTS

6,721,992 B2 \* 4/2004 Cotton ..... E05D 11/0054  
16/250  
D584,130 S \* 1/2009 Bertani ..... D8/328  
D635,433 S \* 4/2011 Le ..... D8/327  
D649,009 S \* 11/2011 Caffin ..... D8/323  
8,151,414 B2 \* 4/2012 Baudasse ..... B64G 1/222  
16/227  
D661,173 S \* 6/2012 Caffin ..... D8/323  
D673,024 S \* 12/2012 Caffin ..... D8/323  
D719,009 S \* 12/2014 Russo ..... D8/323  
D719,011 S \* 12/2014 Russo ..... D8/323  
D747,949 S \* 1/2016 Lindo ..... D8/323  
D842,679 S \* 3/2019 Todd, Jr. .... D8/323  
D859,127 S \* 9/2019 Todd, Jr. .... D8/323  
2018/0371813 A1 \* 12/2018 Cherry ..... E05D 11/1071

\* cited by examiner

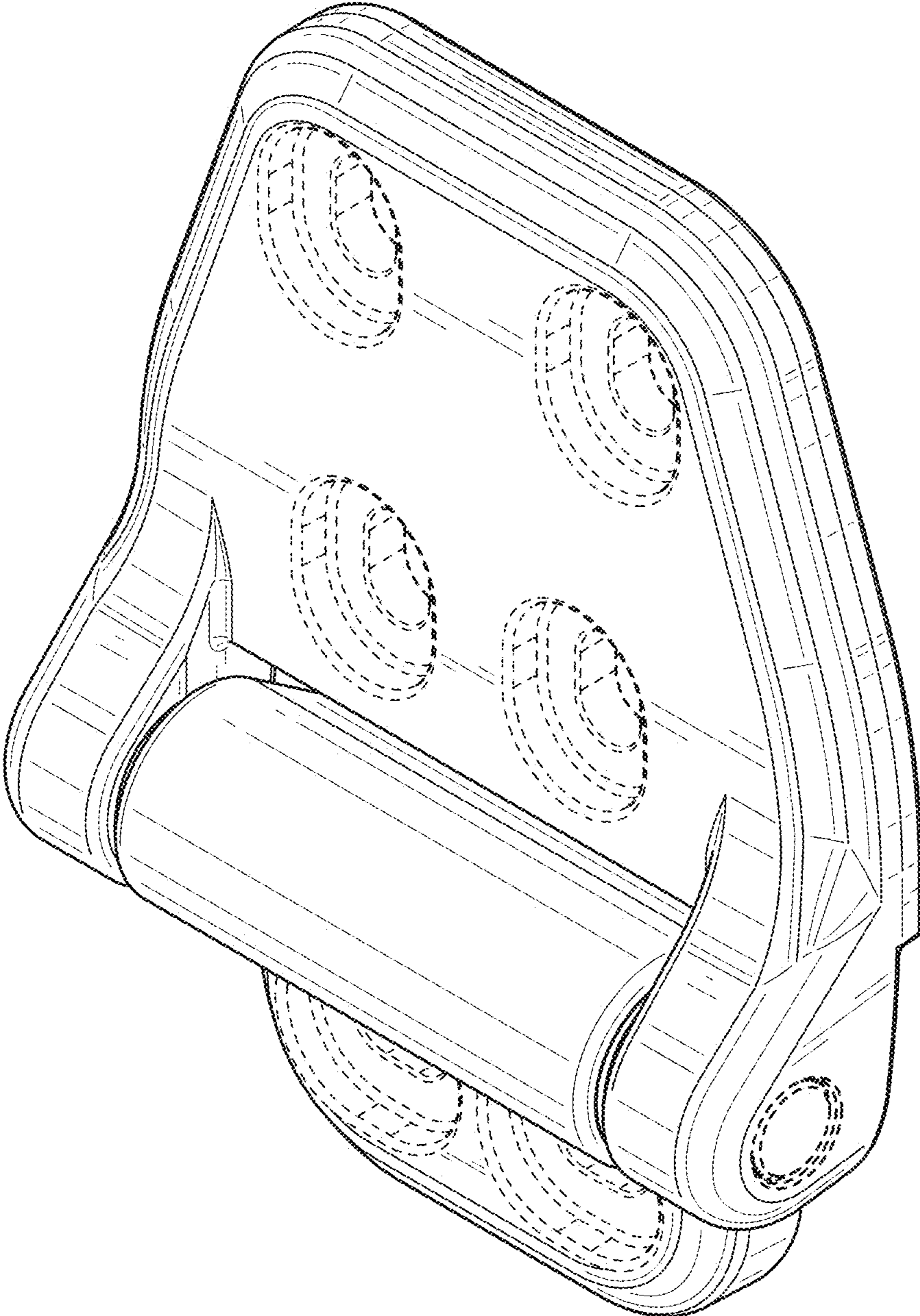


FIG. 1



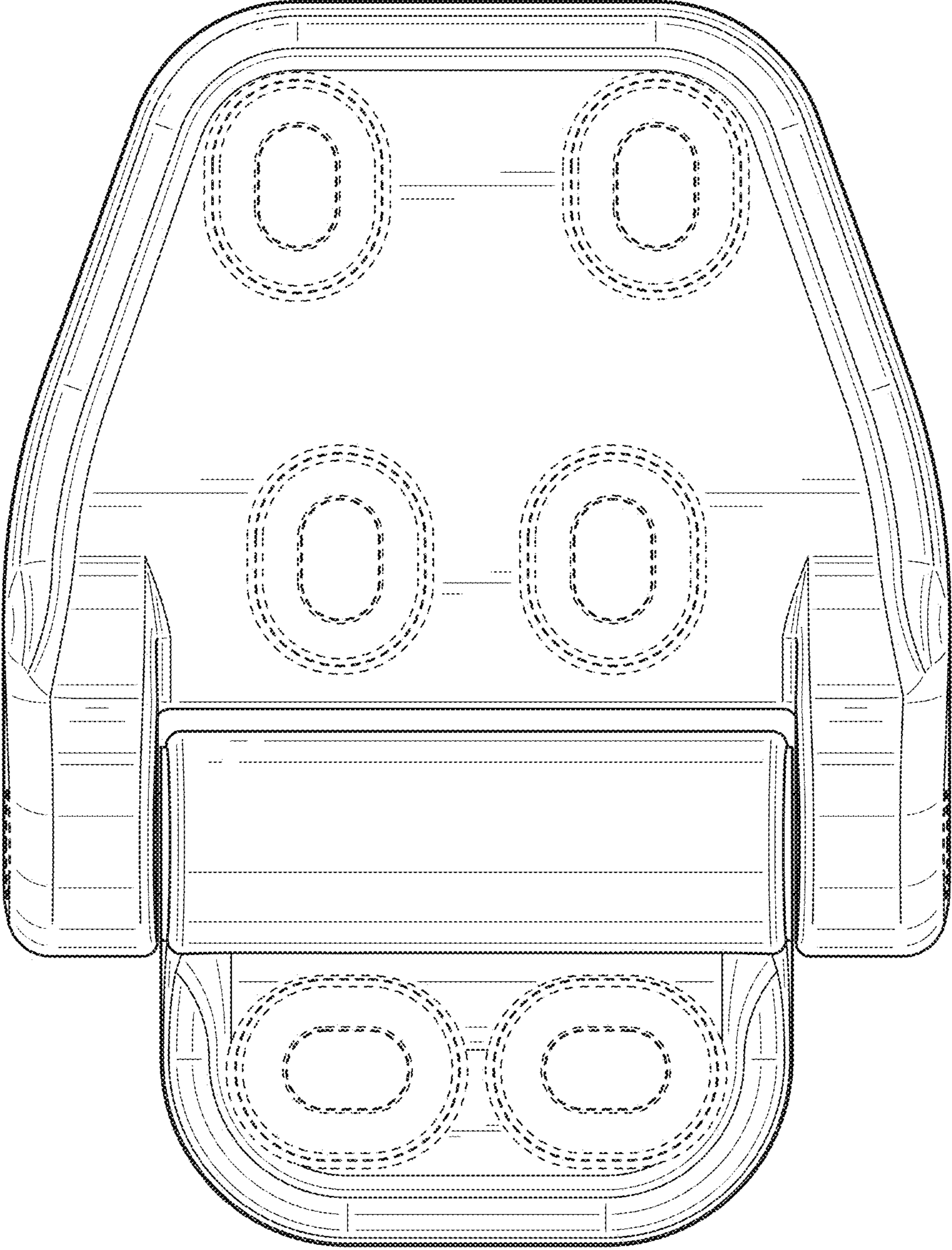


FIG. 2

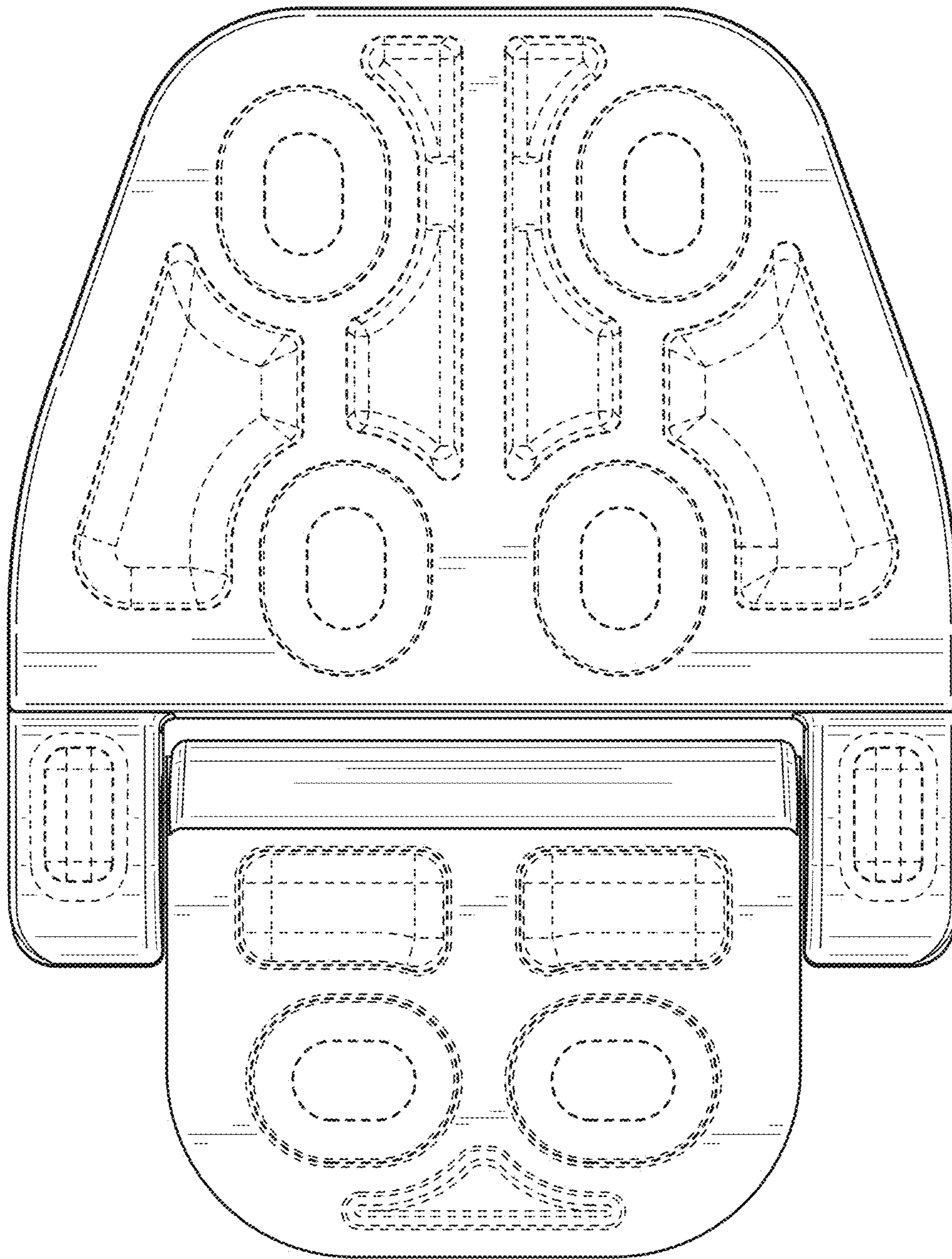


FIG. 3

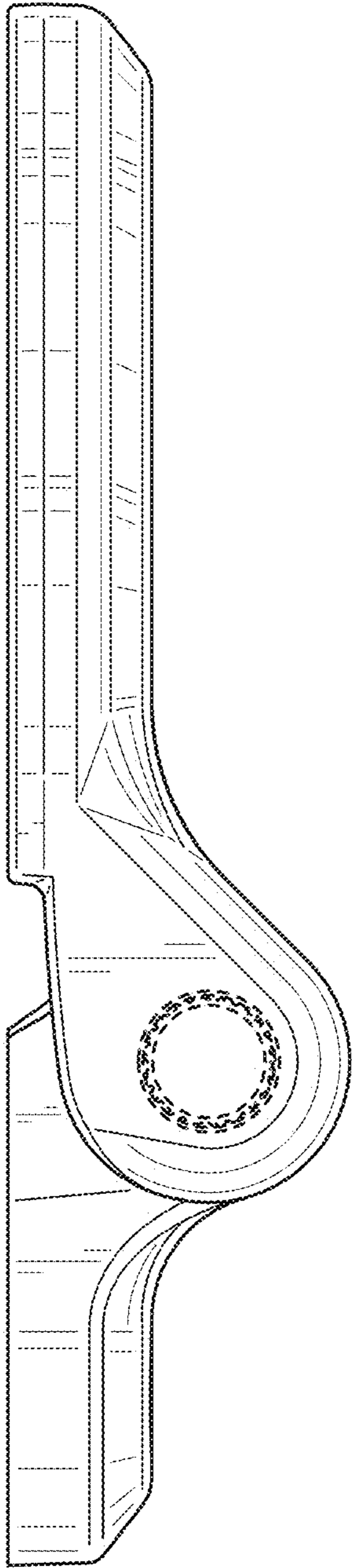


FIG. 4

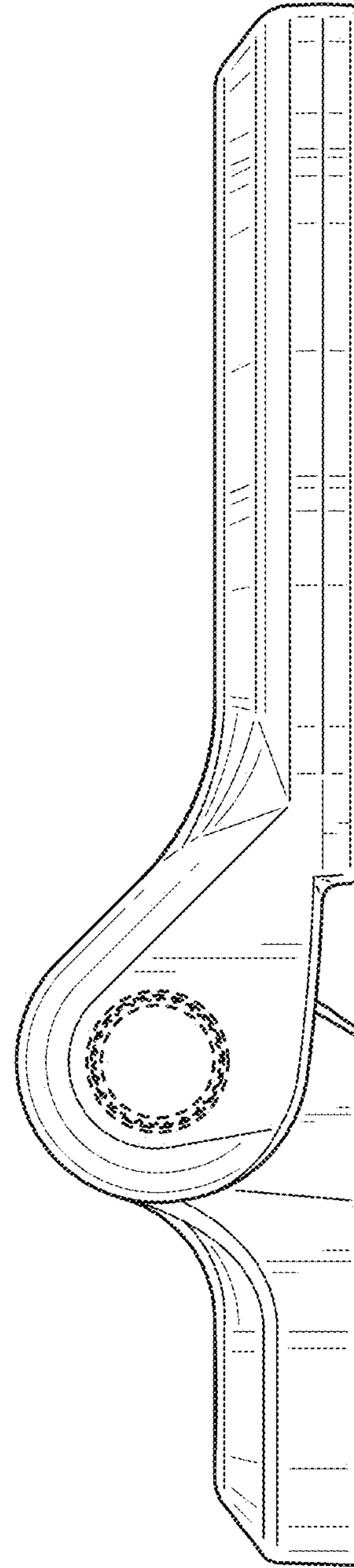


FIG. 5

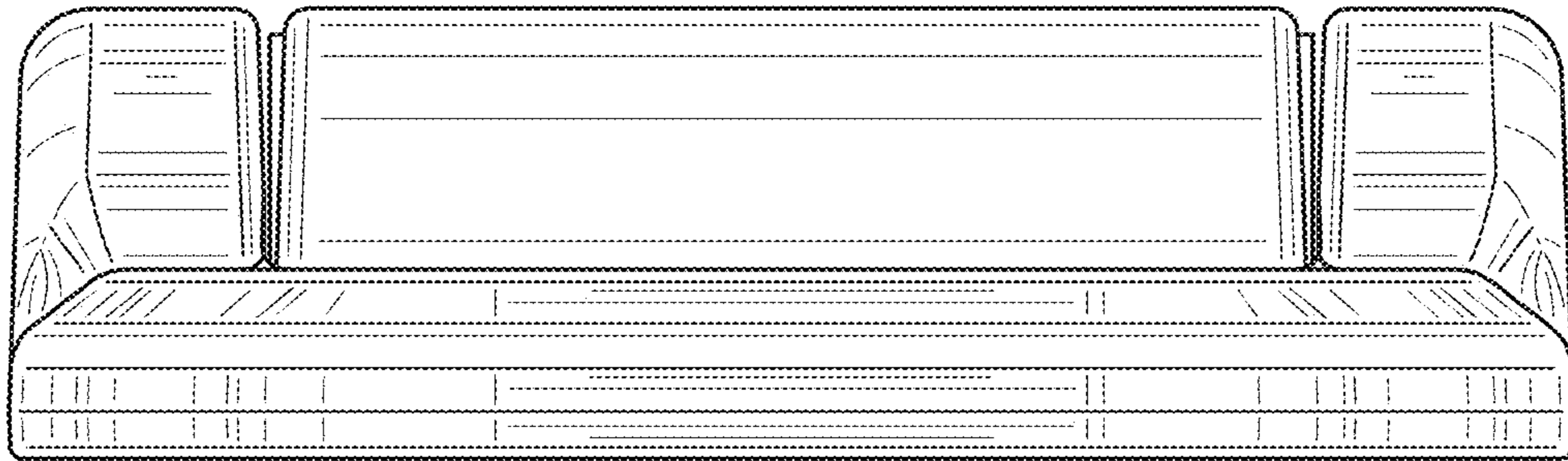


FIG. 6

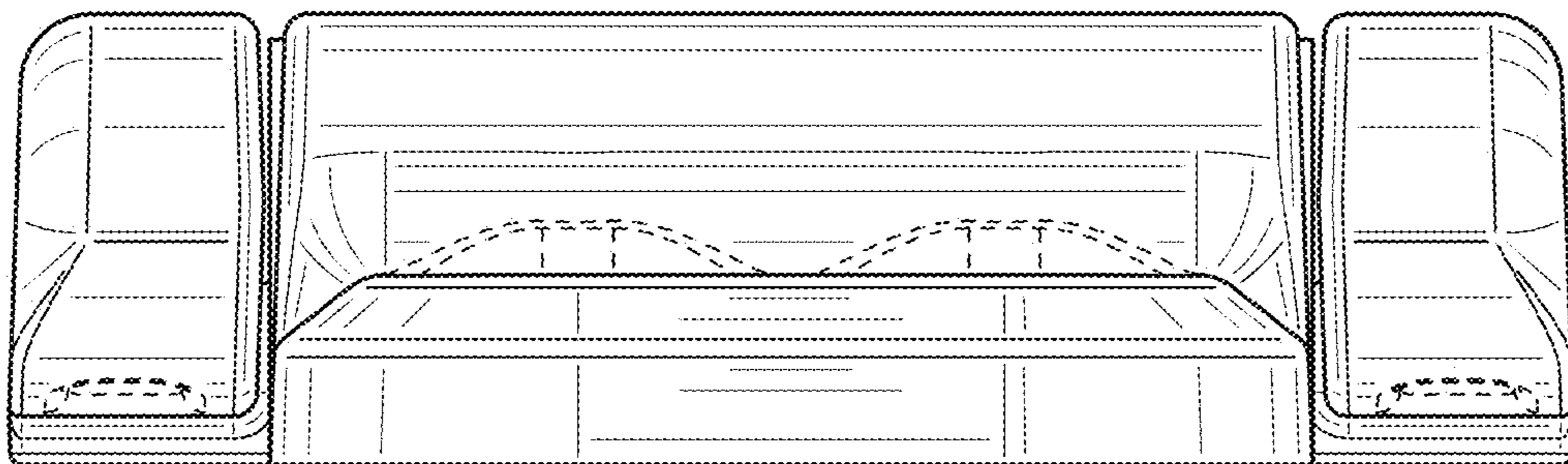


FIG. 7



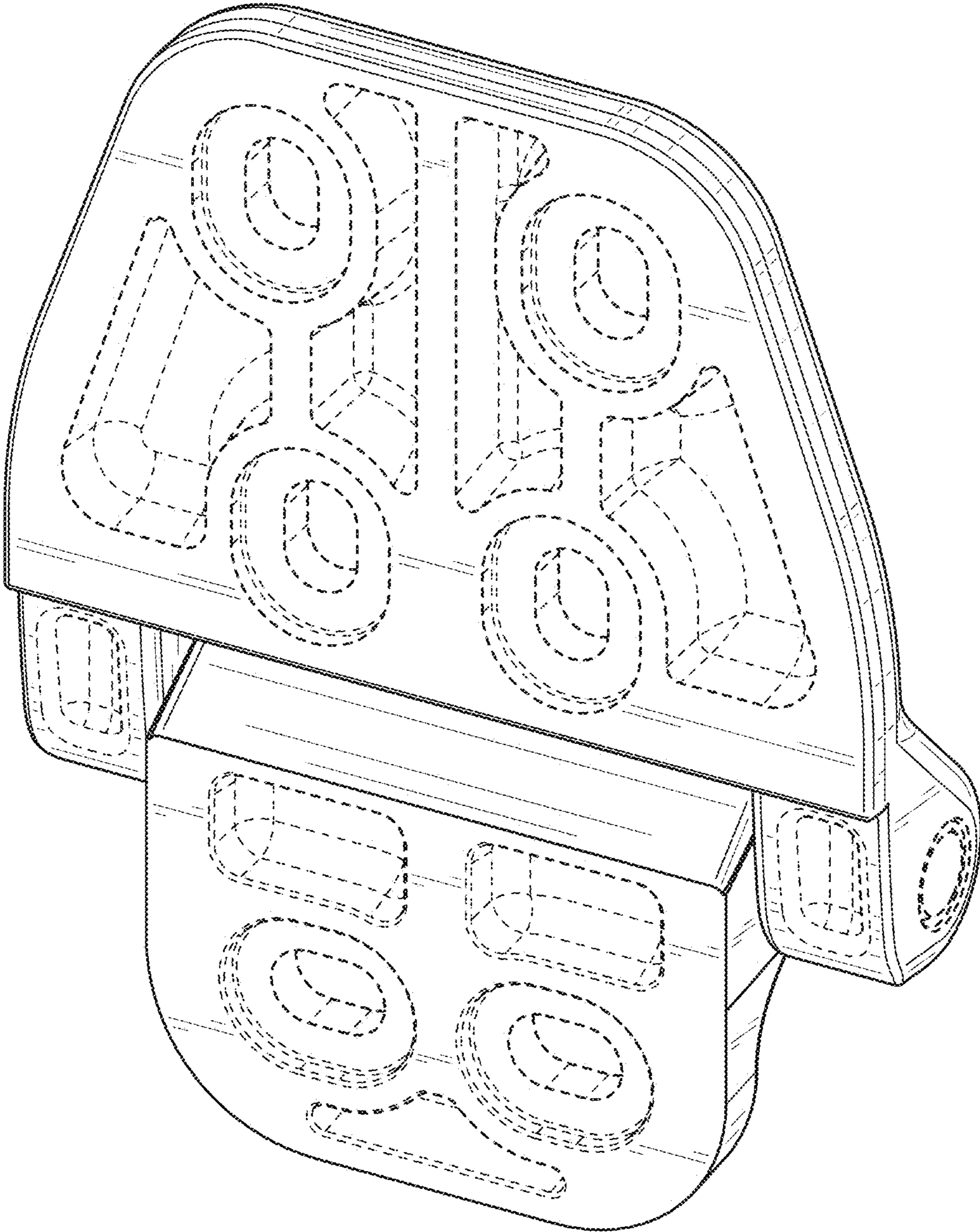


FIG. 8



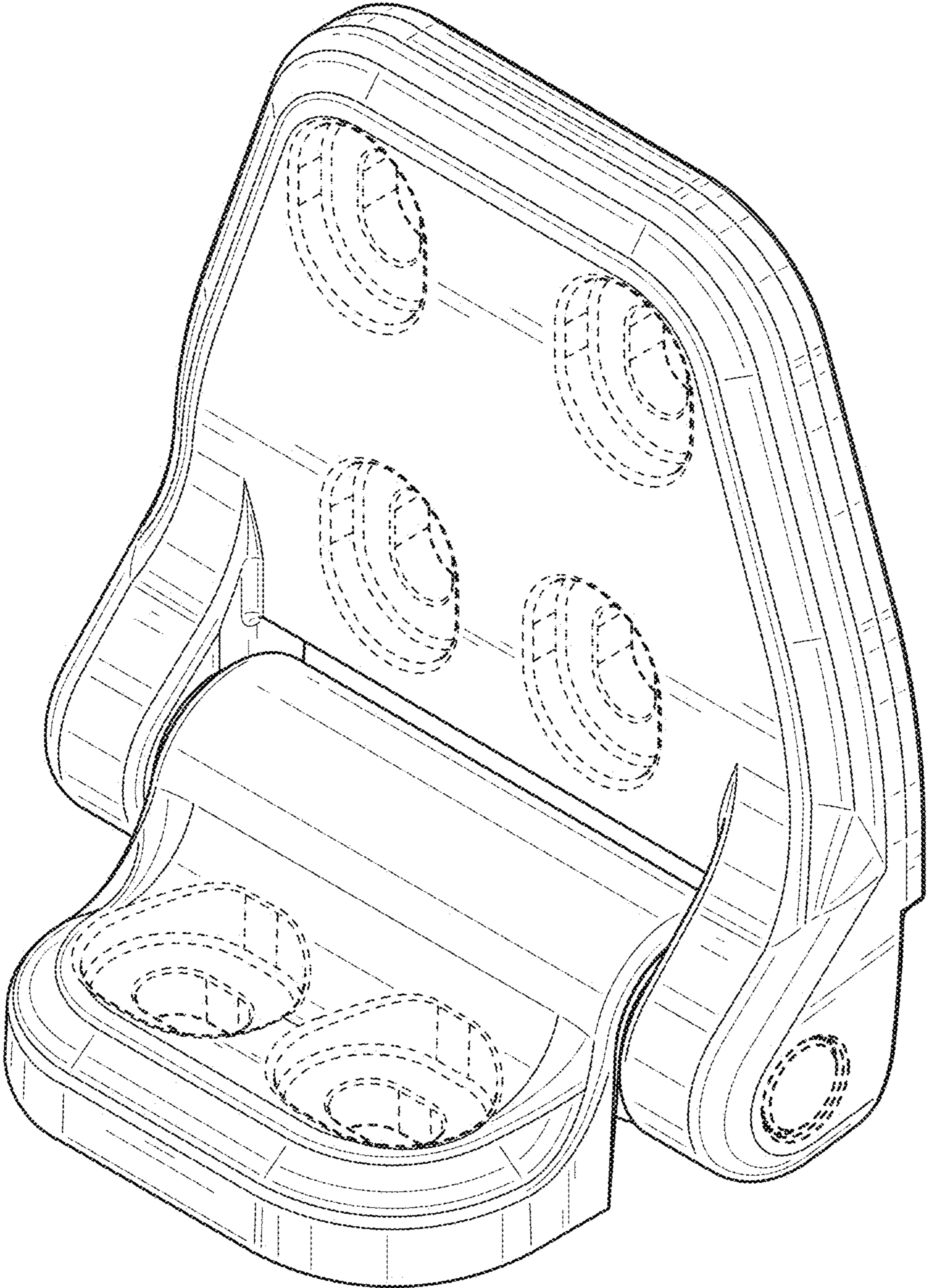


FIG. 9

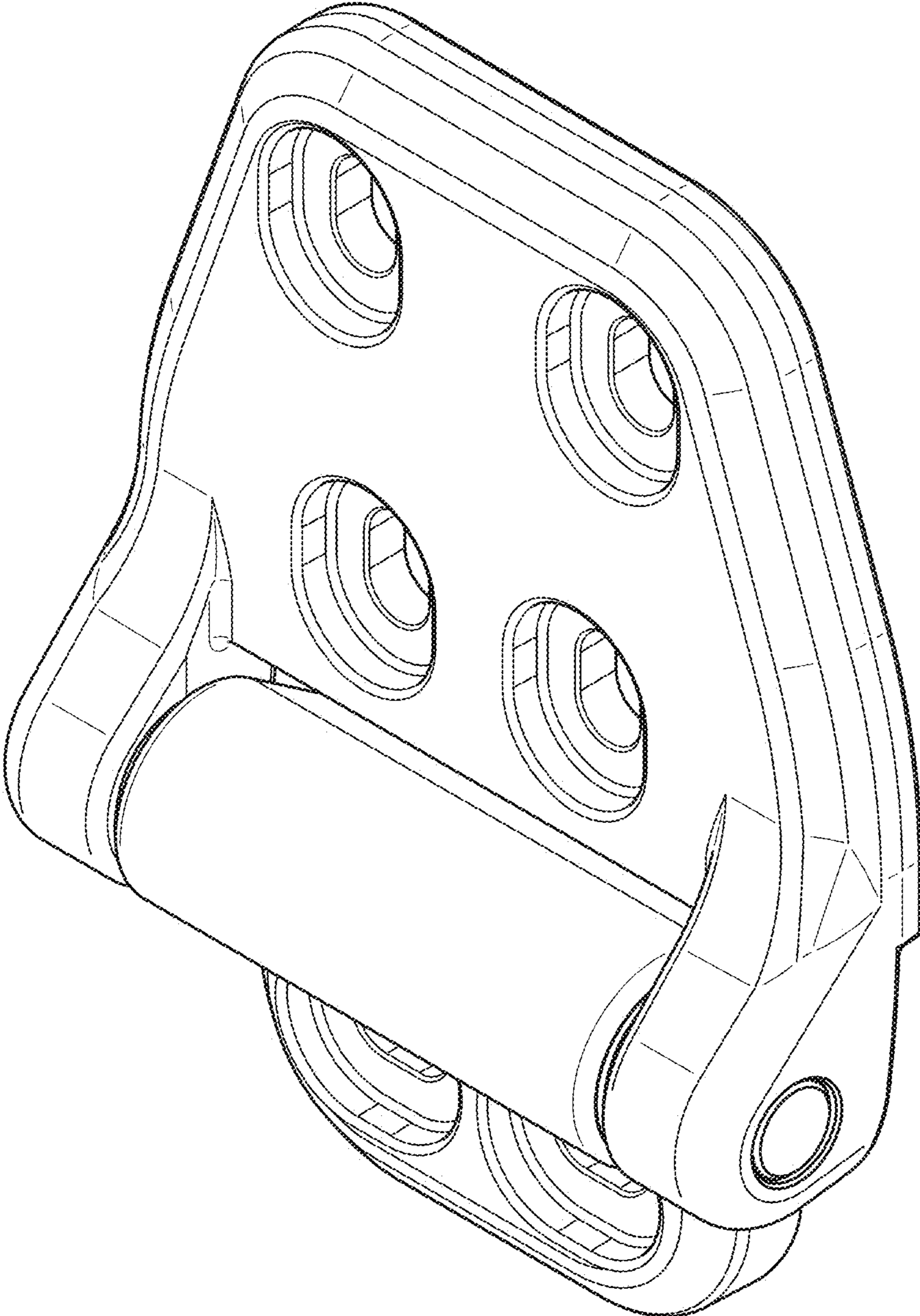


FIG. 10

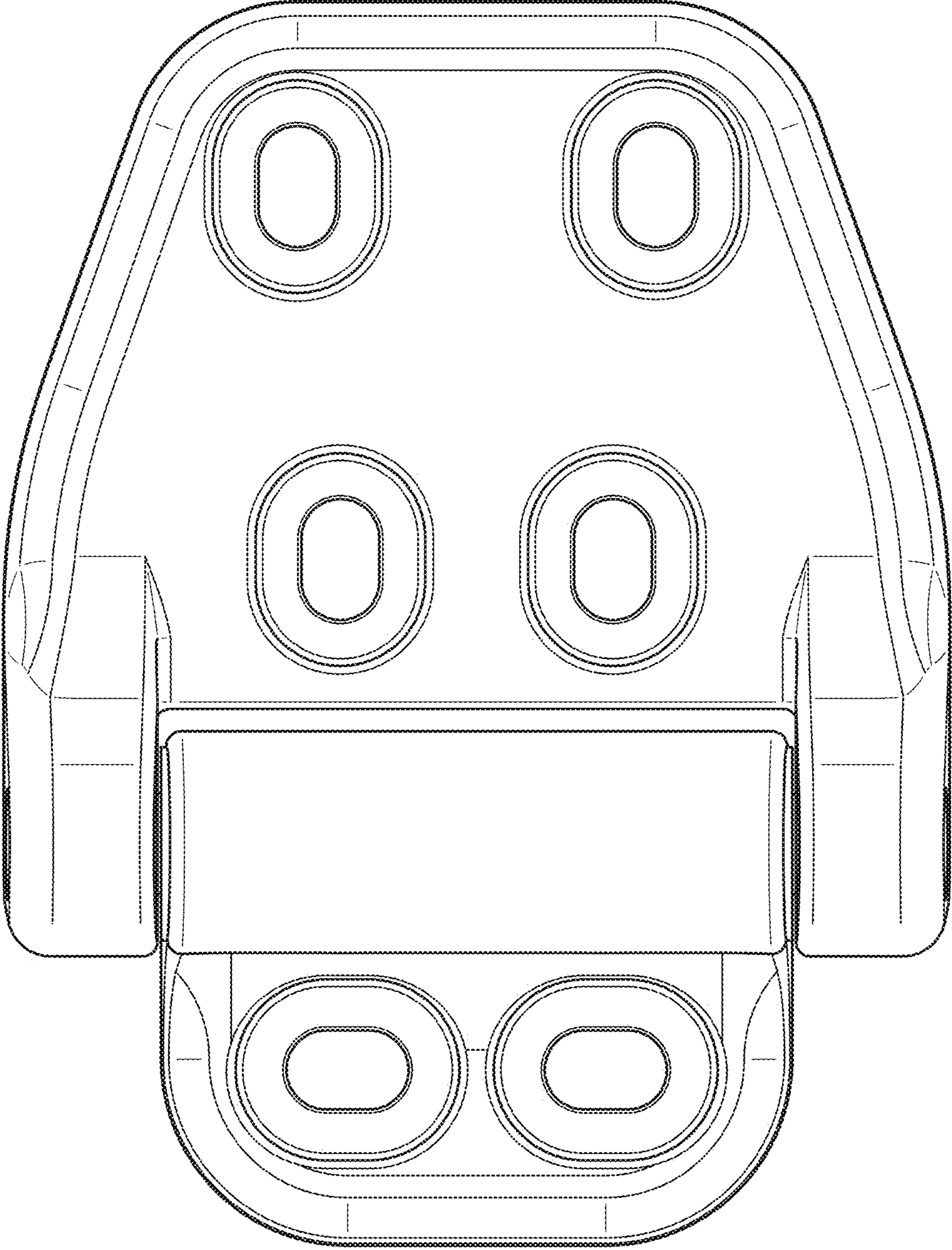


FIG. 11



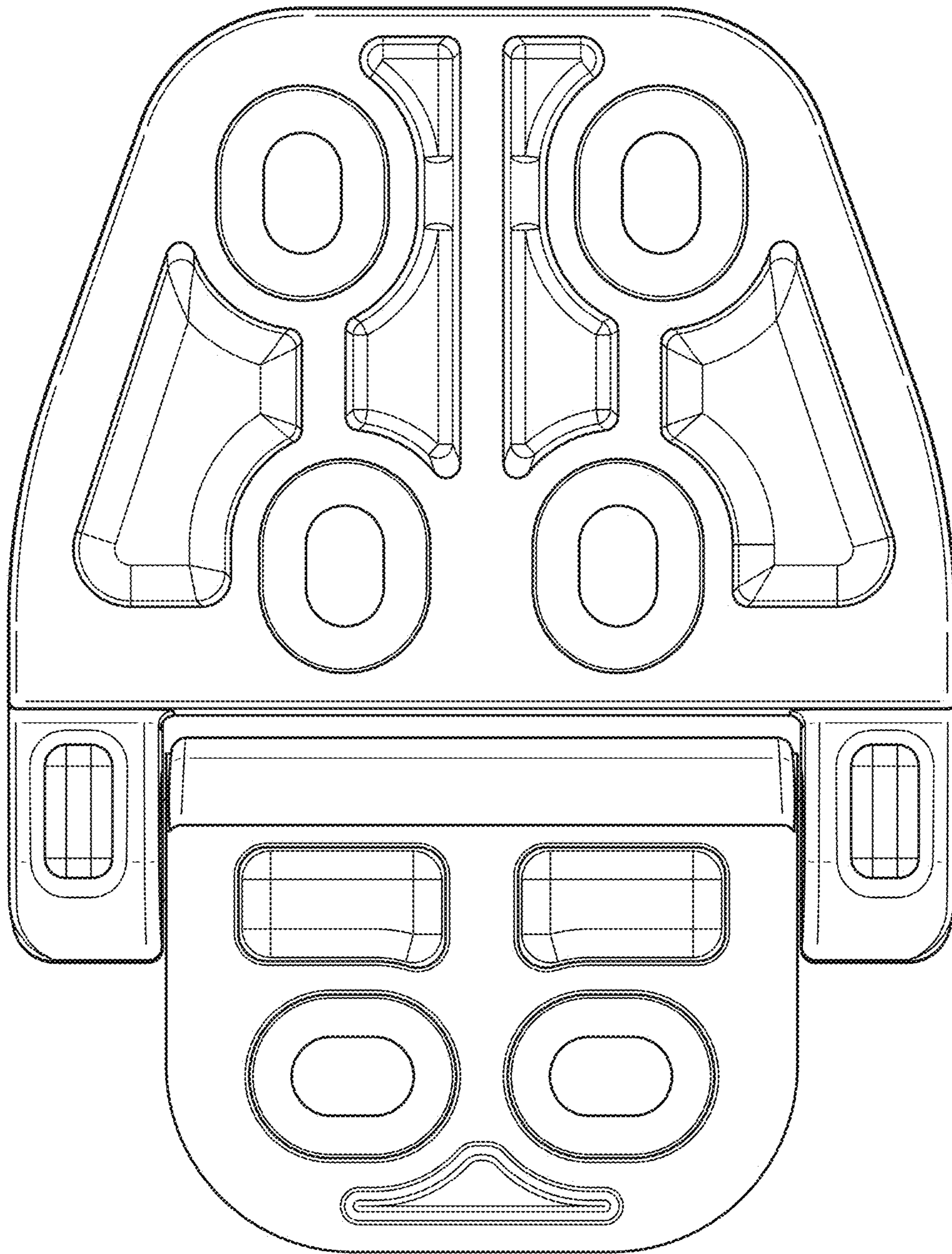


FIG. 12

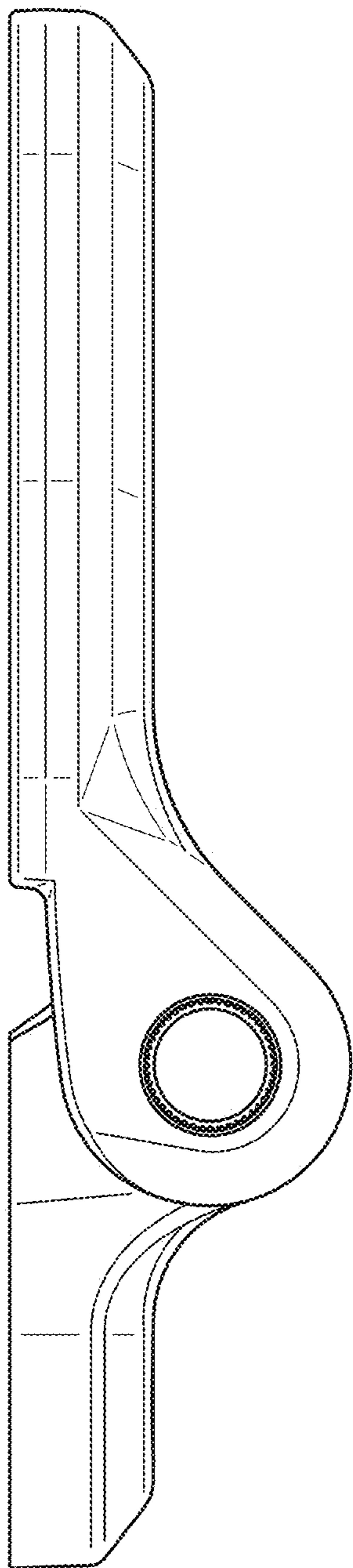


FIG. 13

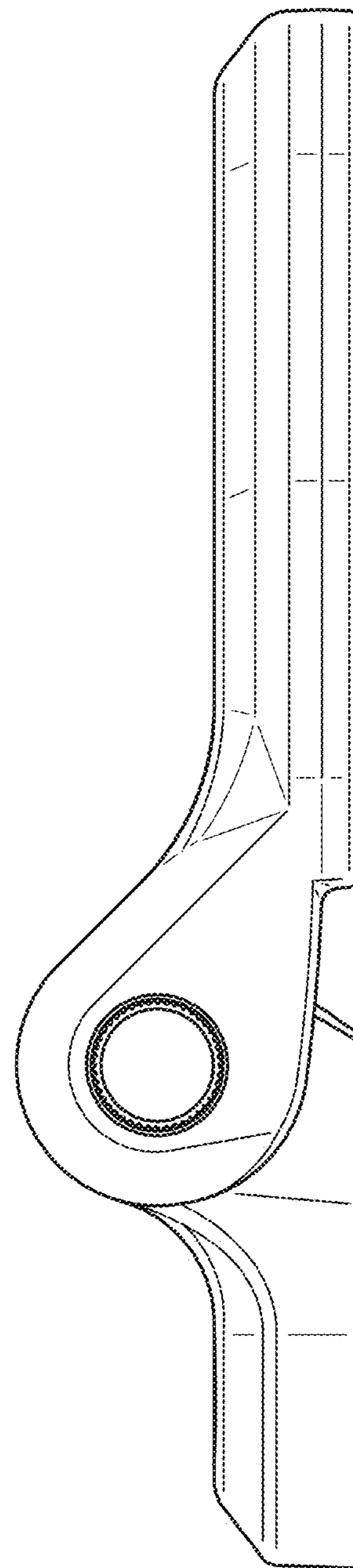


FIG. 14

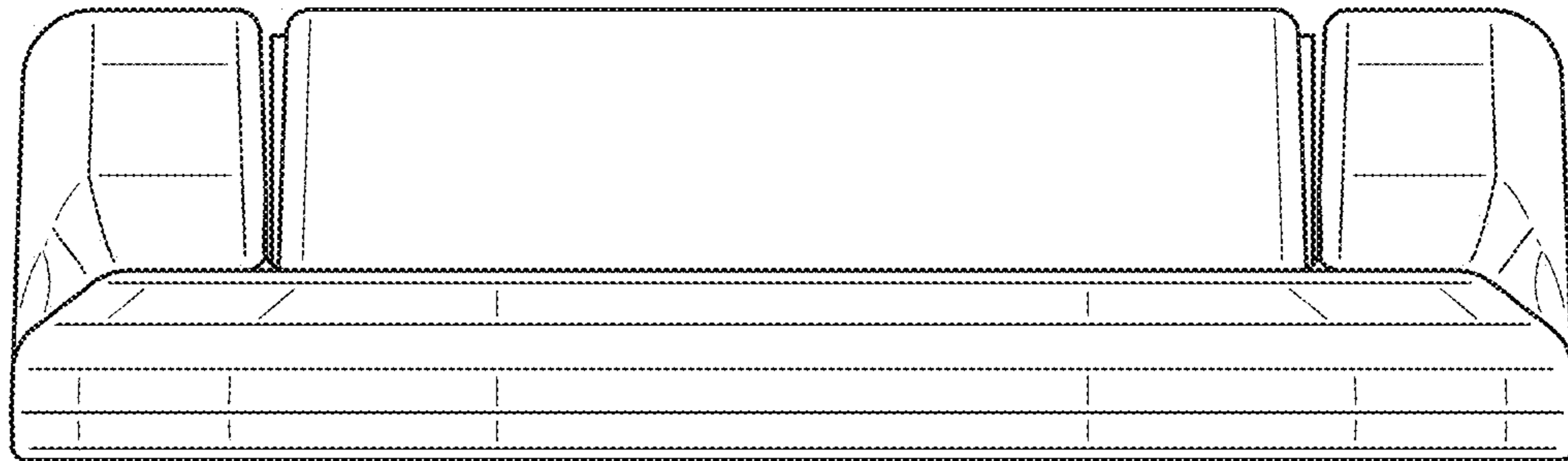


FIG. 15

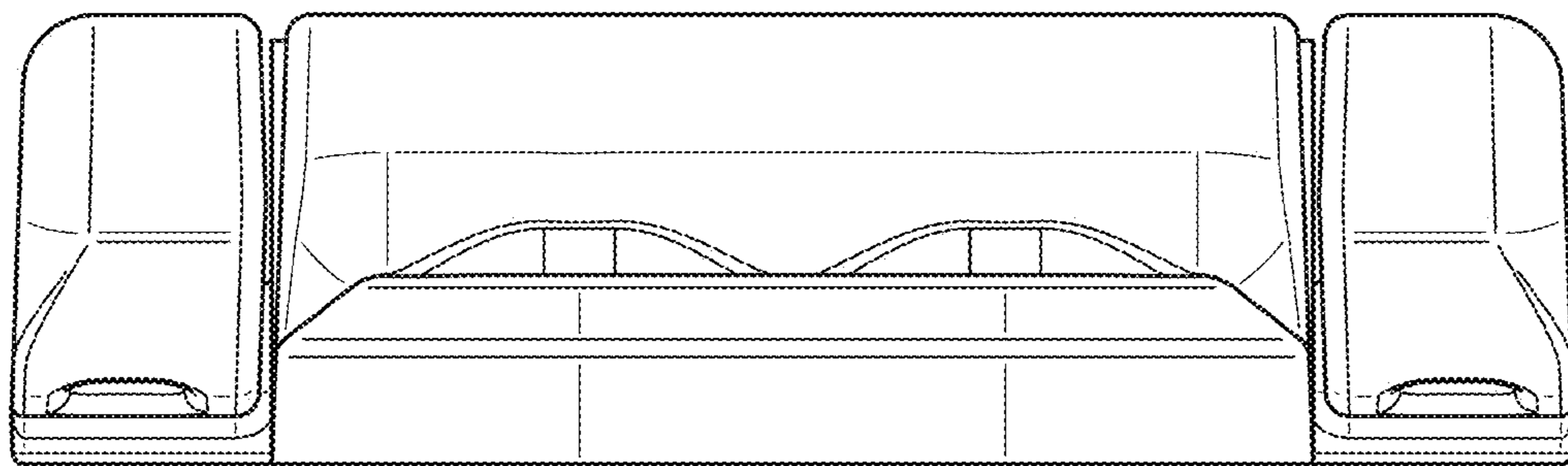


FIG. 16



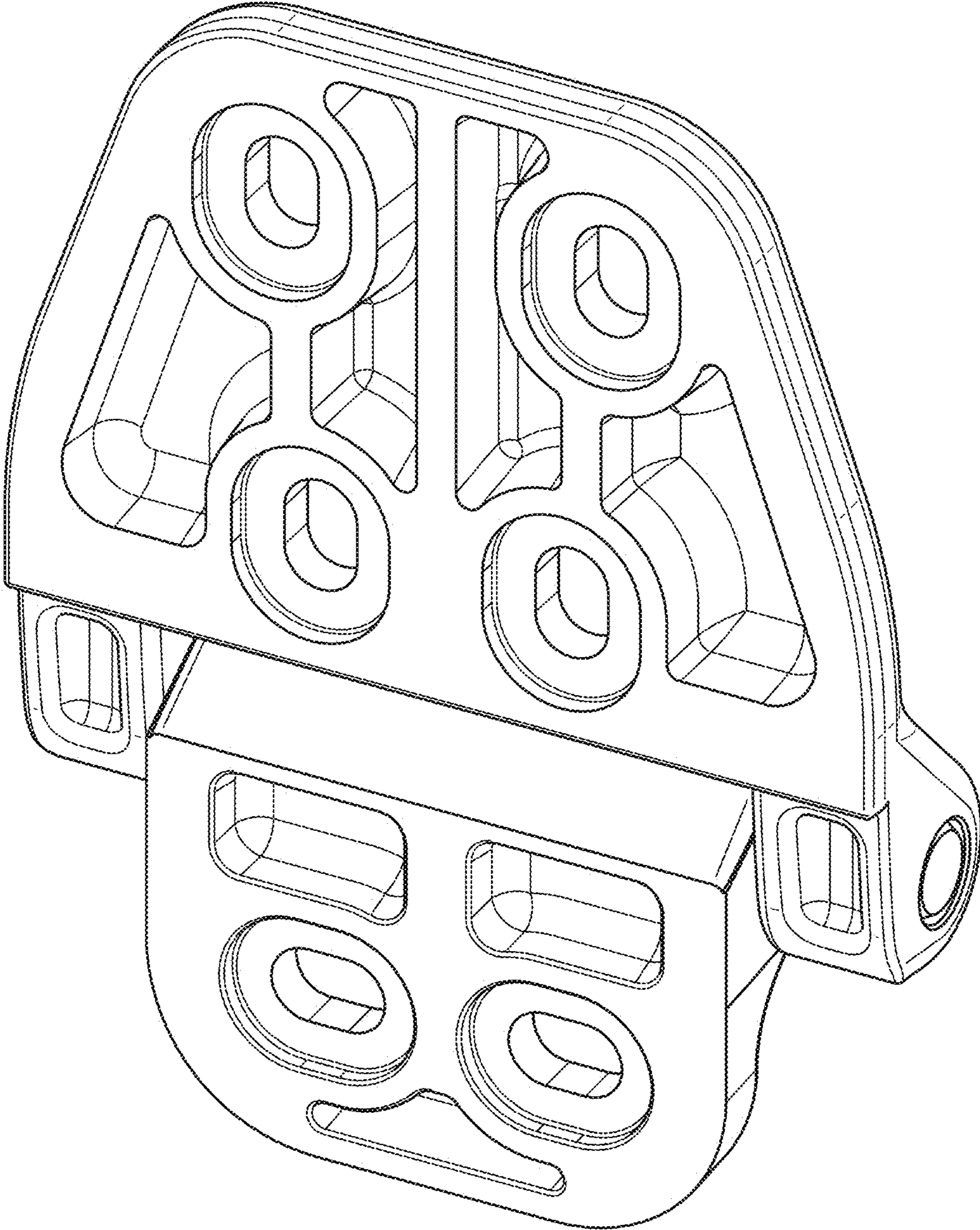


FIG. 17

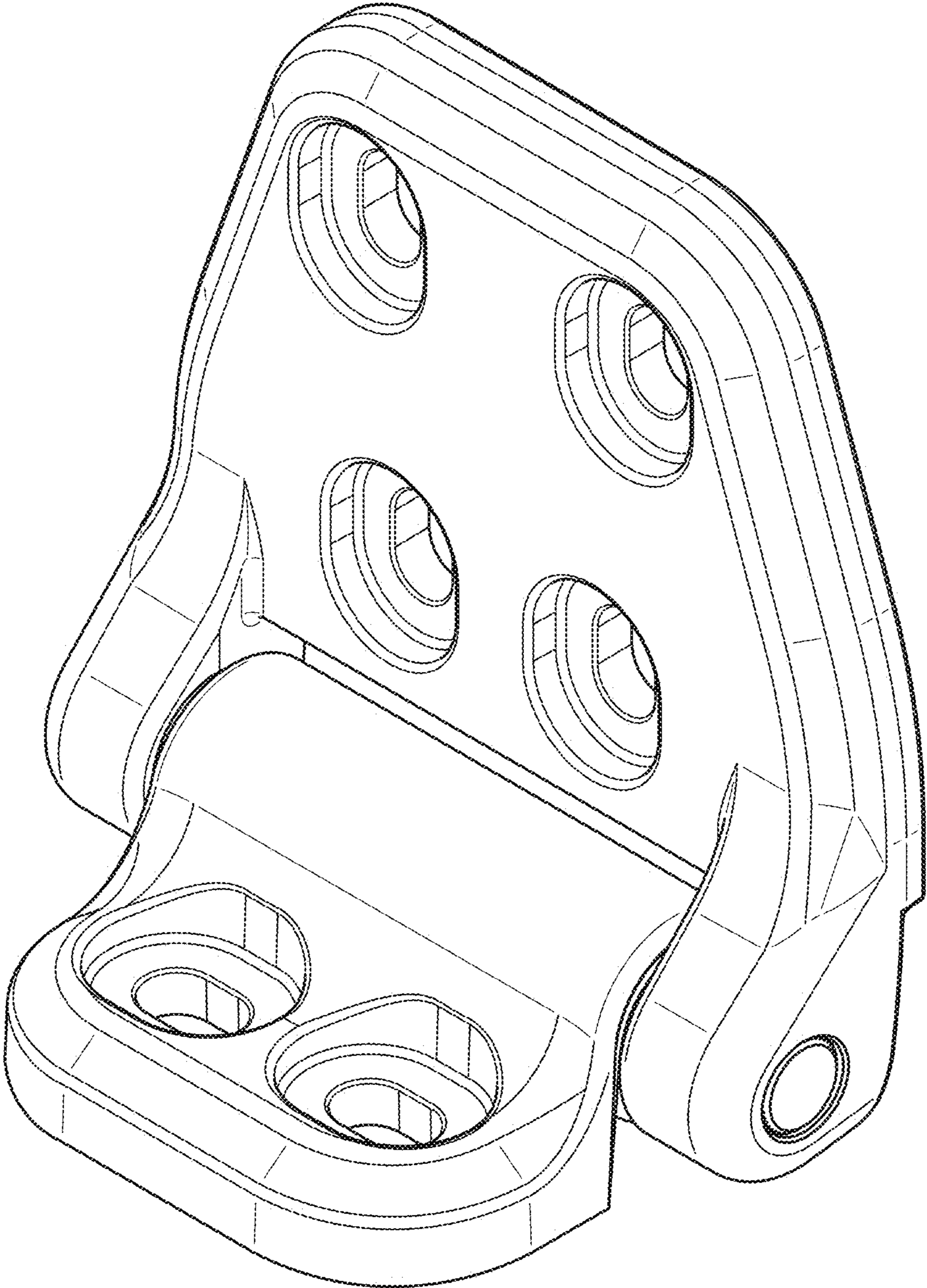


FIG. 18