



US00D919405S

(12) **United States Design Patent** (10) **Patent No.:** **US D919,405 S**  
**Lu** (45) **Date of Patent:** **\*\* May 18, 2021**

(54) **HINGE**  
(71) Applicant: **Dongguan Weihong Smart Home Technology Co., Ltd., Dongguan (CN)**  
(72) Inventor: **Wei Lu, Dongguan (CN)**  
(73) Assignee: **DONGGUAN WEIHONG SMART HOME TECHNOLOGY CO., LTD., Dongguan (CN)**  
(\*\*) Term: **15 Years**  
(21) Appl. No.: **29/716,224**  
(22) Filed: **Dec. 7, 2019**

(30) **Foreign Application Priority Data**  
Sep. 26, 2019 (CN) ..... 201930530175.7  
(51) **LOC (13) Cl.** ..... **08-06**  
(52) **U.S. Cl.**  
USPC ..... **D8/323**  
(58) **Field of Classification Search**  
USPC ..... D8/323; 292/264; 16/250, 251;  
248/213  
CPC ..... B64G 1/222; E05D 1/02; E05D 11/082;  
E05D 5/12  
See application file for complete search history.

(56) **References Cited**  
U.S. PATENT DOCUMENTS  
D140,298 S \* 2/1945 Wilson ..... D8/323  
D222,234 S \* 10/1971 Imber ..... D8/323  
4,382,312 A \* 5/1983 Liggett ..... E05D 3/06  
16/288  
D335,622 S \* 5/1993 Millsap ..... D8/323  
6,134,751 A \* 10/2000 Carrier ..... E05D 15/44  
16/235  
D458,626 S \* 6/2002 Desbierz-Piat ..... D16/334

D500,660 S \* 1/2005 Larner ..... D8/323  
7,100,245 B2 \* 9/2006 Wohlfarth ..... E05D 3/10  
16/367  
8,225,460 B2 \* 7/2012 Hooton ..... E05D 3/10  
16/309  
D683,609 S \* 6/2013 Frank ..... D8/323  
D715,620 S \* 10/2014 Tung ..... D8/323  
D717,633 S \* 11/2014 Lu ..... D8/323  
D717,634 S \* 11/2014 Lu ..... D8/323  
D719,434 S \* 12/2014 Lu ..... D8/323  
D719,810 S \* 12/2014 Lu ..... D8/323  
D744,313 S \* 12/2015 Lu ..... D8/323  
D744,808 S \* 12/2015 Lu ..... D8/323  
D744,809 S \* 12/2015 Lu ..... D8/323  
D758,164 S \* 6/2016 Lu ..... D8/323  
D784,795 S \* 4/2017 Ravaioli ..... D8/355  
D804,276 S \* 12/2017 Lu ..... D8/323  
D804,277 S \* 12/2017 Lu ..... D8/323  
2016/0040463 A1 \* 2/2016 Gramstad ..... E05D 5/128  
16/382  
2016/0040464 A1 \* 2/2016 Lu ..... A47C 7/402  
16/250

\* cited by examiner

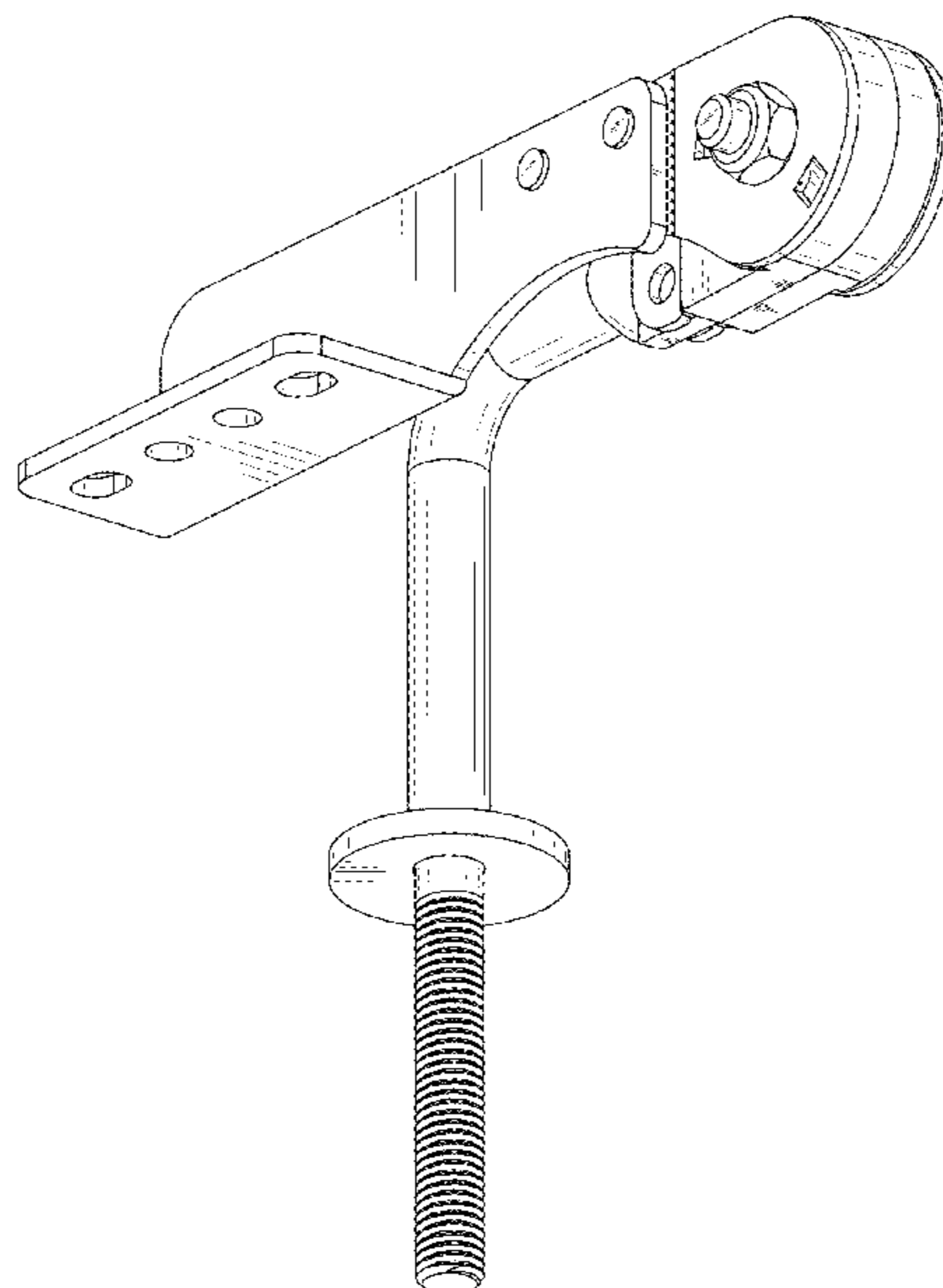
*Primary Examiner* — Cynthia R Underwood  
(74) *Attorney, Agent, or Firm* — Shimokaji IP

(57) **CLAIM**  
The ornamental design for a hinge, as shown and described.

**DESCRIPTION**

FIG. 1 is a front elevation view of a hinge showing my design;  
FIG. 2 is a rear elevational view thereof;  
FIG. 3 is a left side elevational view thereof;  
FIG. 4 is a right side elevational view thereof;  
FIG. 5 is a top plan view thereof;  
FIG. 6 is a bottom plan view thereof;  
FIG. 7 is a first perspective view thereof; and,  
FIG. 8 is a second perspective view thereof.

**1 Claim, 6 Drawing Sheets**



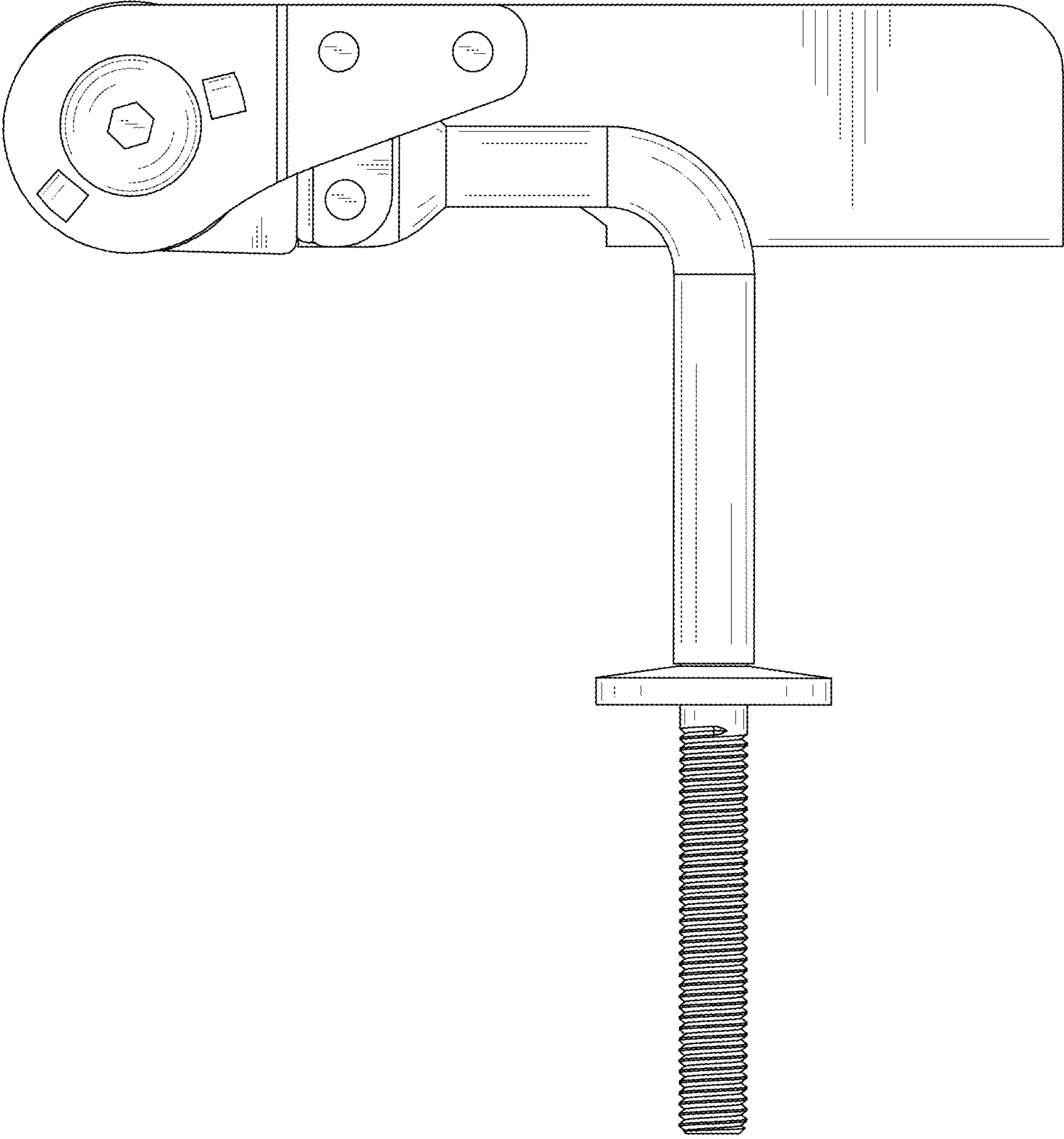


FIG.1

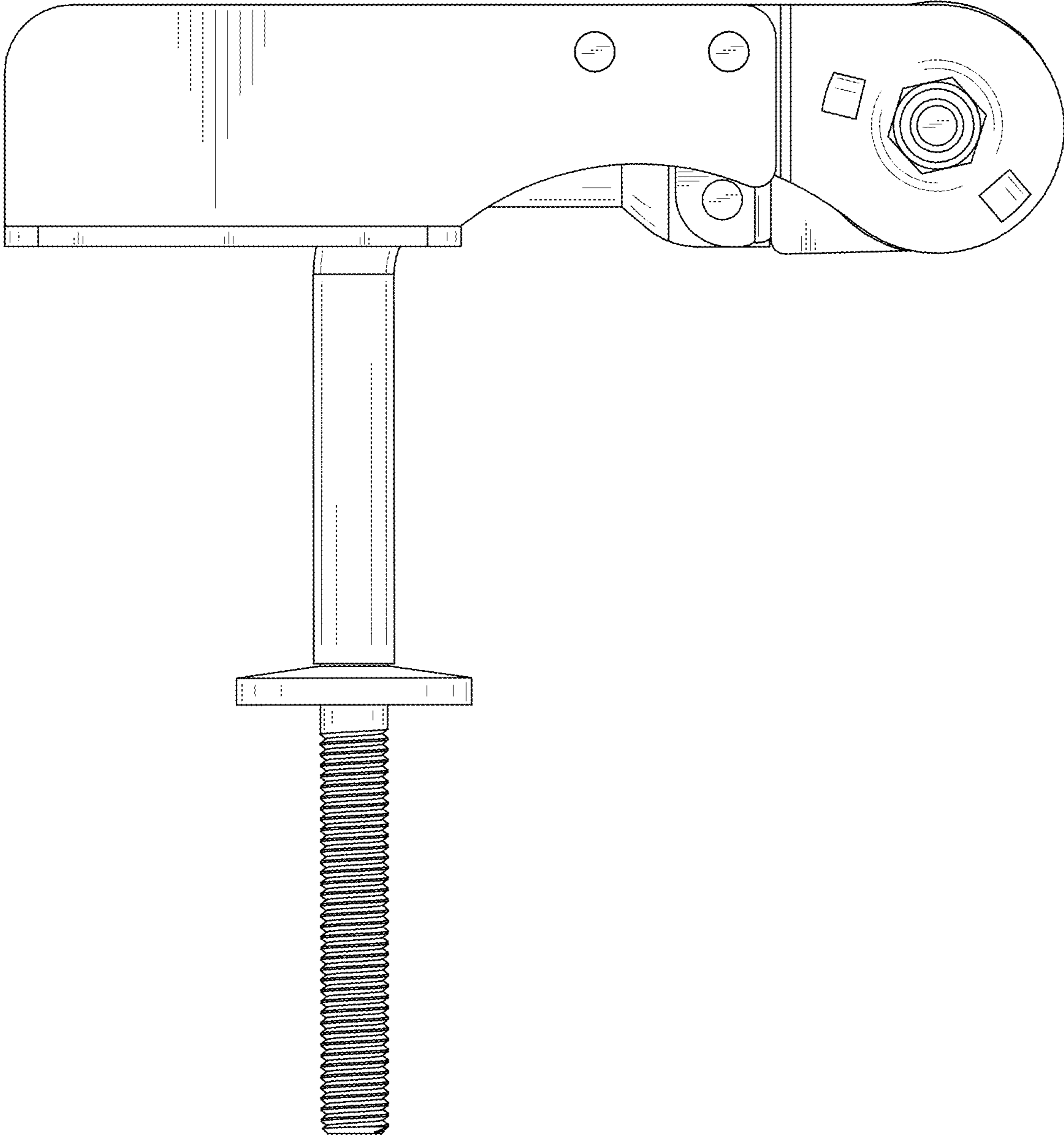


FIG.2

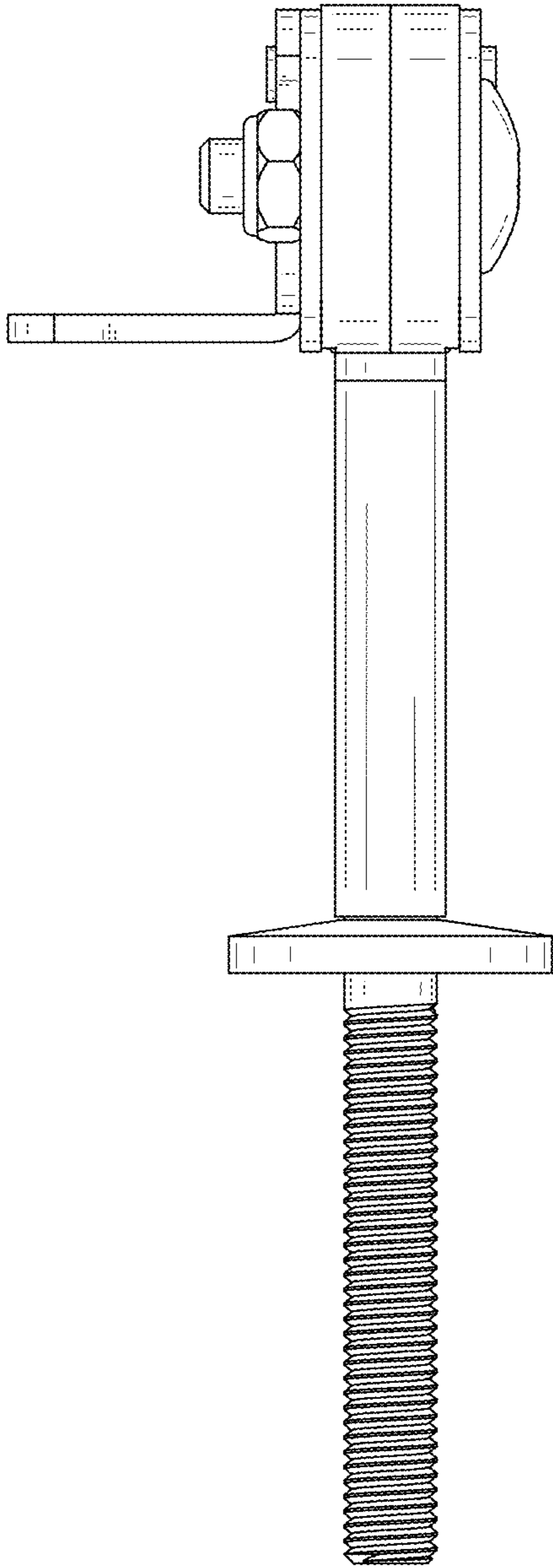


FIG.3

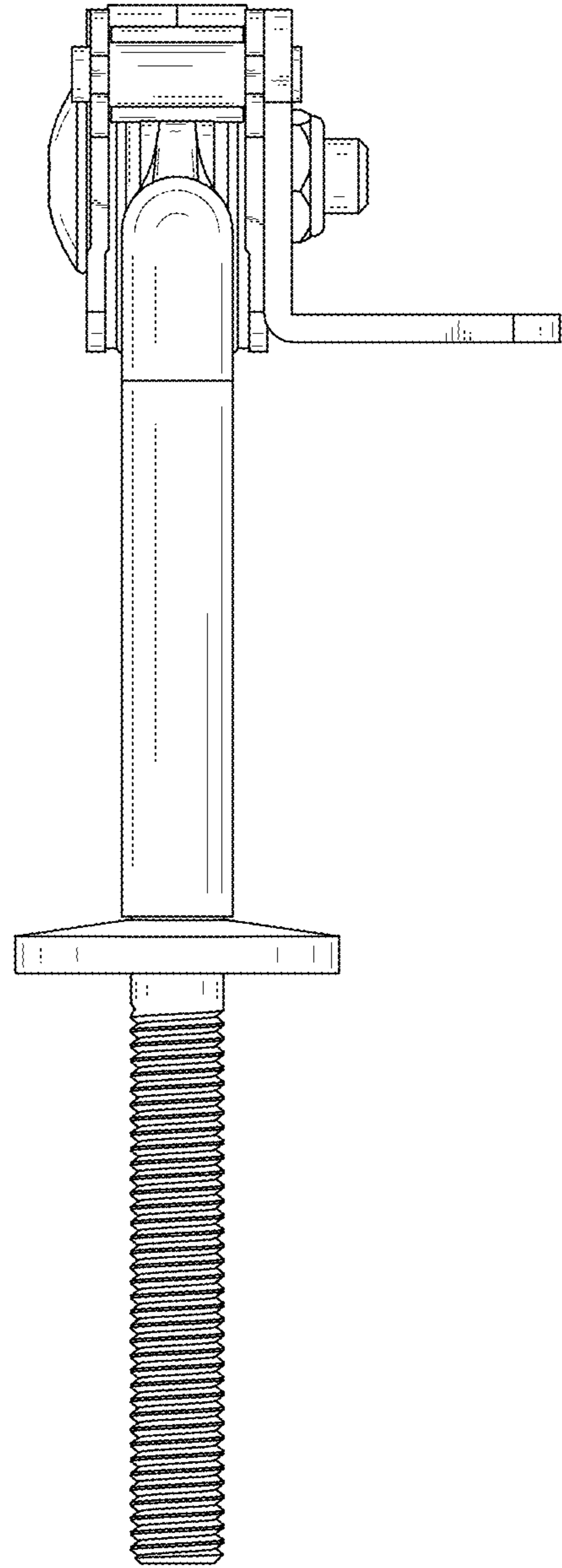


FIG.4

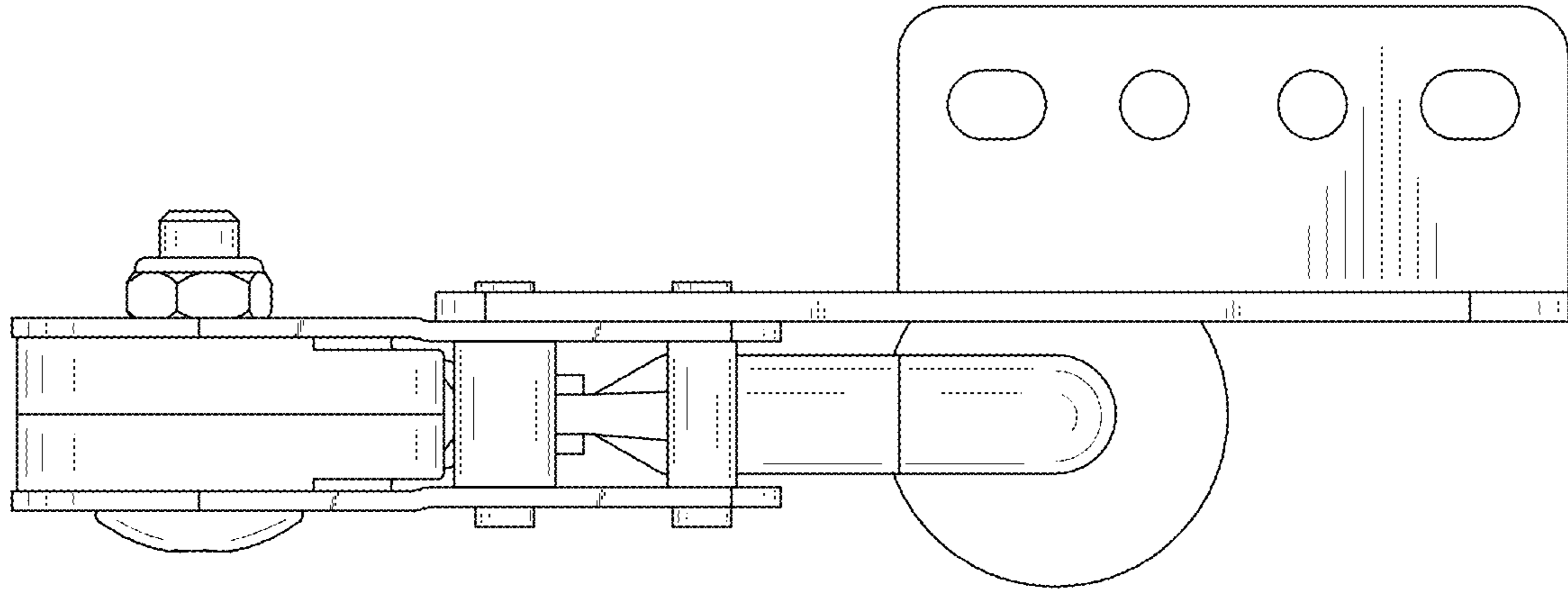


FIG.5

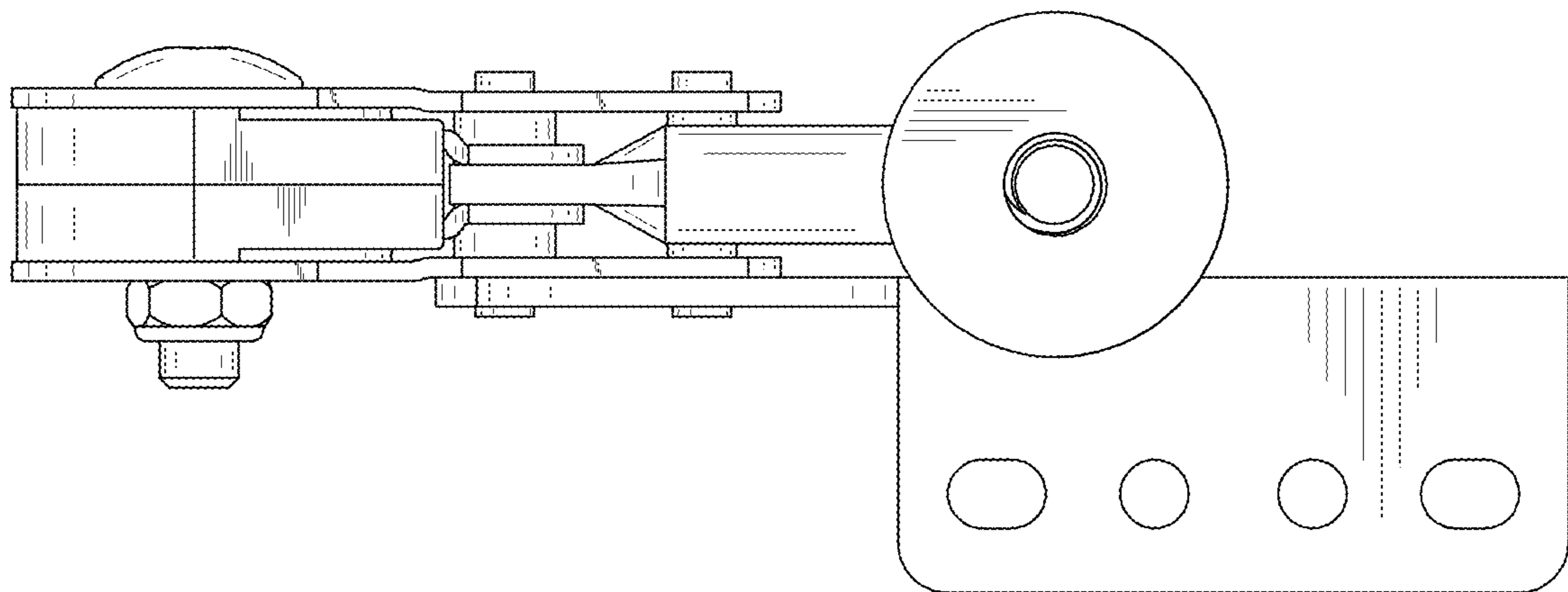


FIG.6

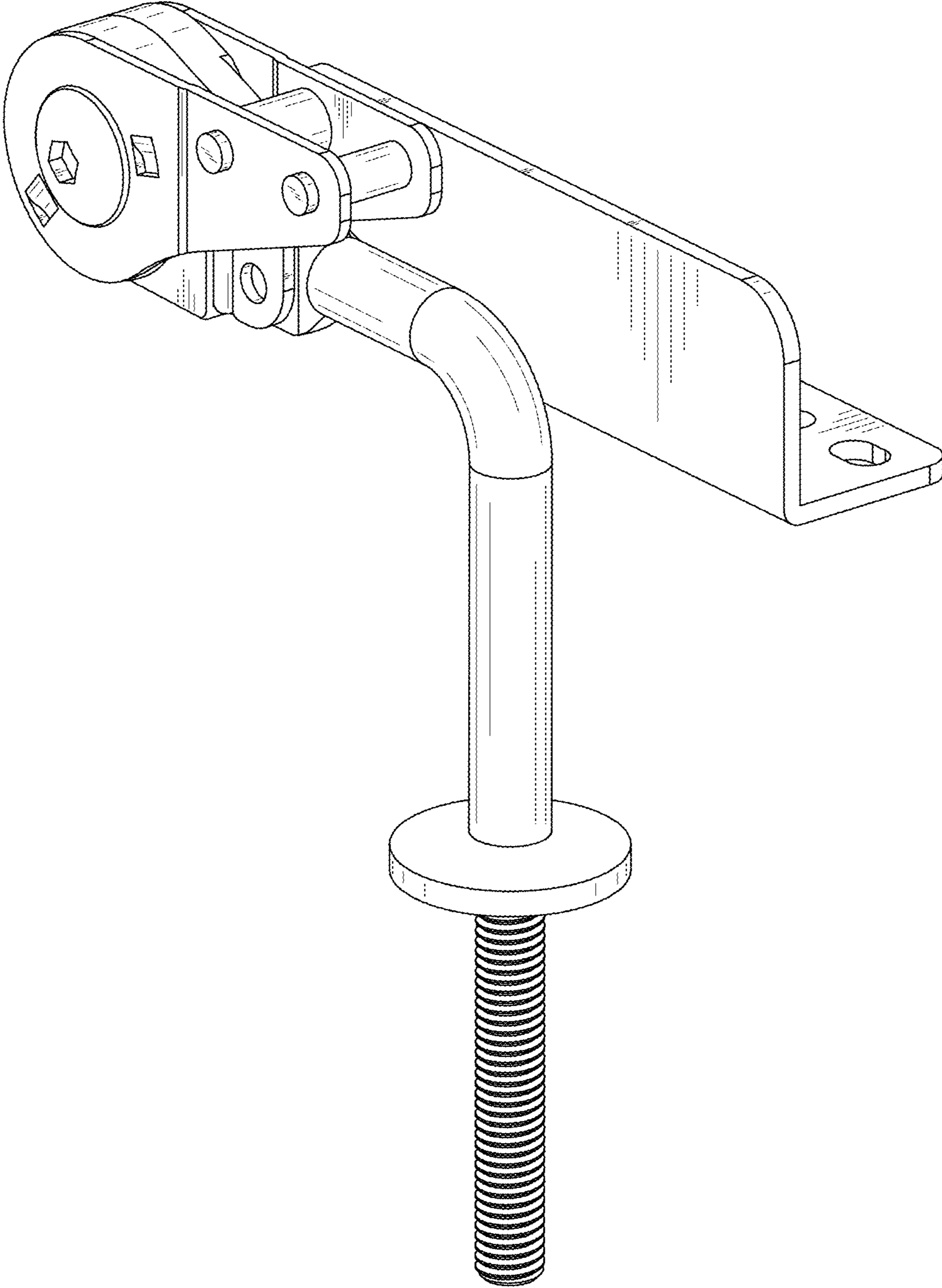


FIG. 7

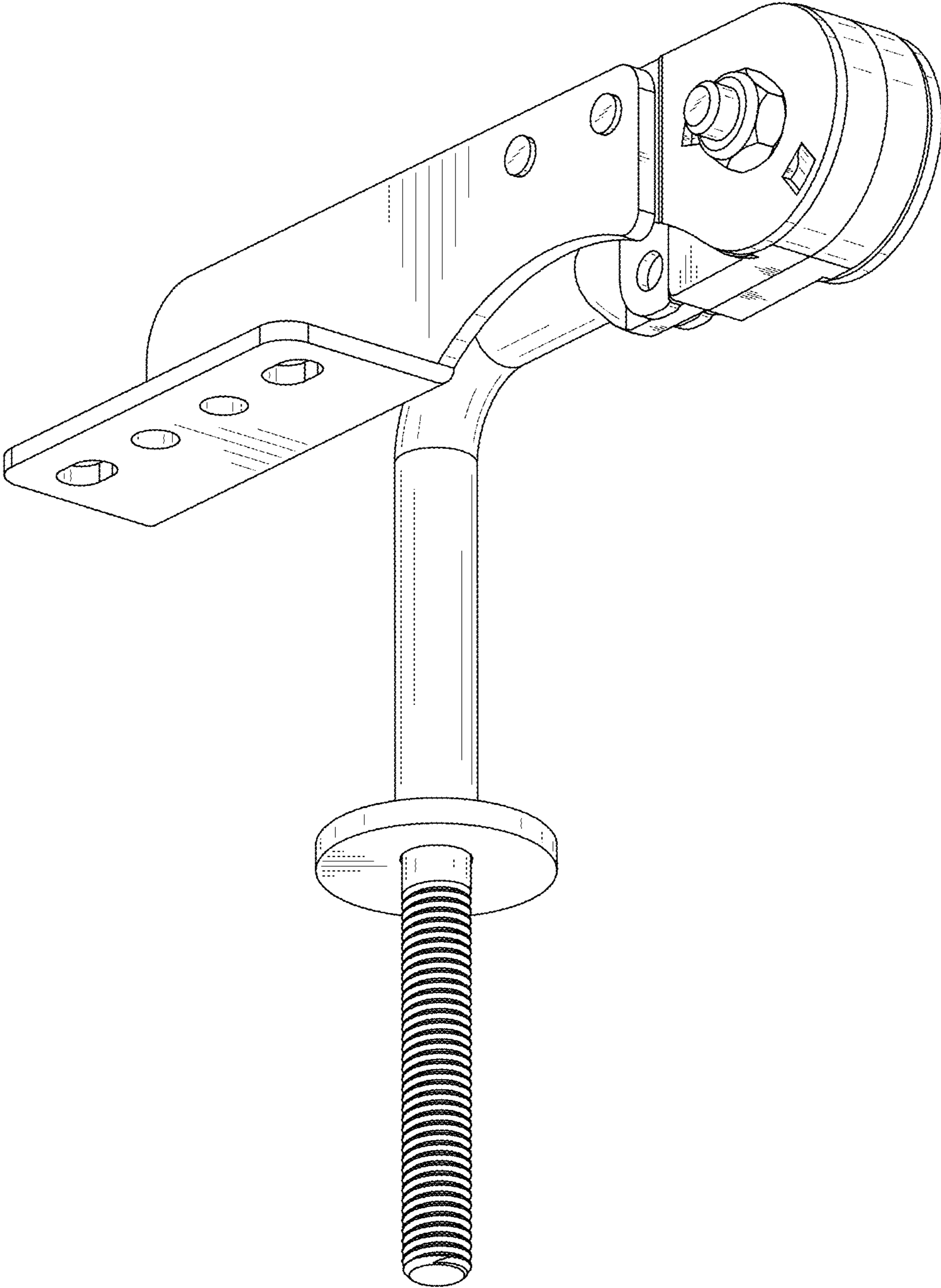


FIG.8