



US00D919403S

(12) **United States Design Patent** (10) **Patent No.:** **US D919,403 S**
Lin (45) **Date of Patent:** **** May 18, 2021**

(54) **TOOL HANDLE**
(71) Applicant: **Chih-Hung Lin**, Taichung (TW)
(72) Inventor: **Chih-Hung Lin**, Taichung (TW)
(**) Term: **15 Years**
(21) Appl. No.: **29/715,575**
(22) Filed: **Dec. 3, 2019**
(51) **LOC (13) Cl.** **08-05**
(52) **U.S. Cl.**
USPC **D8/107**; D8/22
(58) **Field of Classification Search**
USPC D8/14, 21, 22, 51, 70, 82, 83, 84, 85,
D8/107, 300; D7/395; D32/46, 49;
D24/133
CPC B25B 13/00; B25B 13/10; B25B 13/12;
B25B 13/14; B25B 13/44; B25G 1/002;
B25G 1/005; B25G 1/02; B25G 1/025;
B25G 1/043; B25G 1/063
See application file for complete search history.

D620,338 S * 7/2010 Huang D8/83
D642,887 S * 8/2011 Good D8/83
D645,717 S * 9/2011 Ou D8/83
D743,770 S * 11/2015 Hsieh D8/107
D757,511 S * 5/2016 Caglar D8/22
D778,703 S * 2/2017 Nelson D8/83
D860,750 S * 9/2019 Beh D8/83
2010/0050829 A1 * 3/2010 Chen B25B 23/0042
81/489
2010/0095812 A1 * 4/2010 Lai B25B 23/0042
81/438
2017/0197299 A1 * 7/2017 Sun B25B 23/16

* cited by examiner

Primary Examiner — Philip S Hyder

(74) *Attorney, Agent, or Firm* — Muncy, Geissler, Olds & Lowe, P.C.

(57) **CLAIM**

I claim the ornamental design for a tool handle, as shown and described.

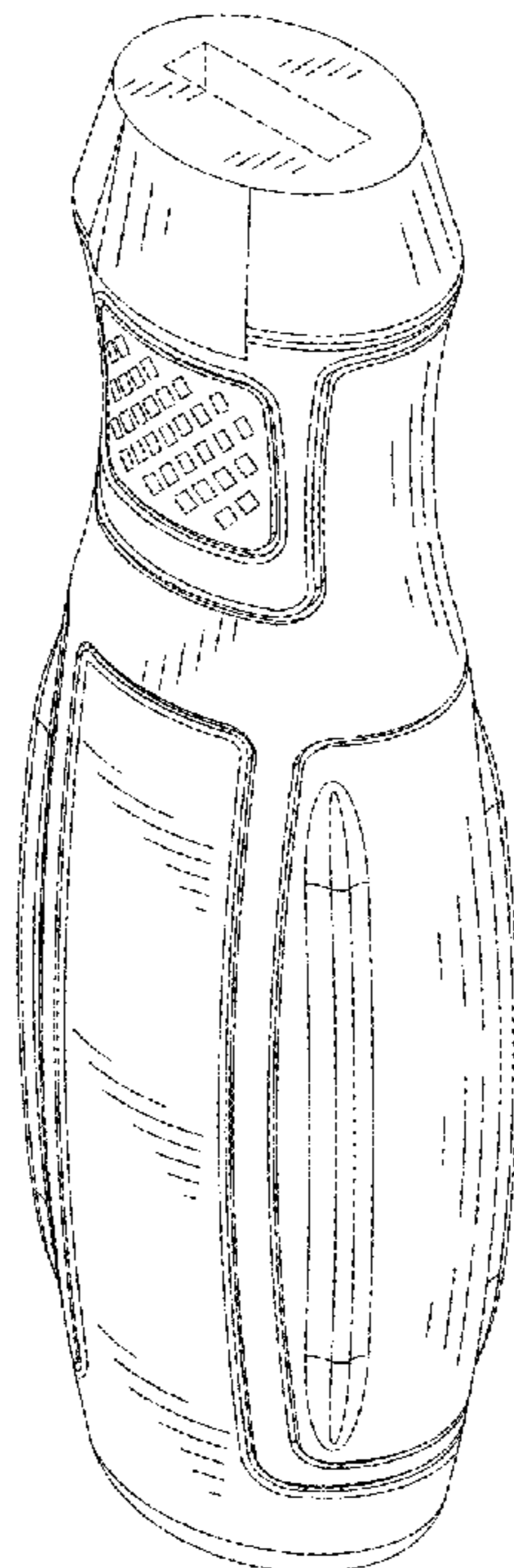
DESCRIPTION

FIG. 1 is a top, front, right perspective view of a tool handle showing my new design;
FIG. 2 is a front elevational view thereof;
FIG. 3 is a rear elevational view thereof;
FIG. 4 is a left side view thereof;
FIG. 5 is a right side view thereof;
FIG. 6 is a top plan view thereof;
FIG. 7 is a bottom plan view thereof; and,
FIG. 8 is a top, front, right perspective view showing the tool handle in use.
The broken lines in the drawings illustrate portions of the tool handle which form no part of the claimed design.

1 Claim, 5 Drawing Sheets

(56) **References Cited**
U.S. PATENT DOCUMENTS

D445,656 S * 7/2001 Ranieri D8/22
D468,182 S * 1/2003 Thompson D8/107
D468,617 S * 1/2003 Wang D8/107
6,772,994 B1 * 8/2004 Lawless B25B 33/00
254/25
D516,893 S * 3/2006 Kuo D8/83
D517,394 S * 3/2006 Chen D8/107
D525,850 S * 8/2006 Huang D8/83
D585,261 S * 1/2009 Shih D8/83
D616,277 S * 5/2010 Molina D8/82
D618,076 S * 6/2010 Garcia D8/22



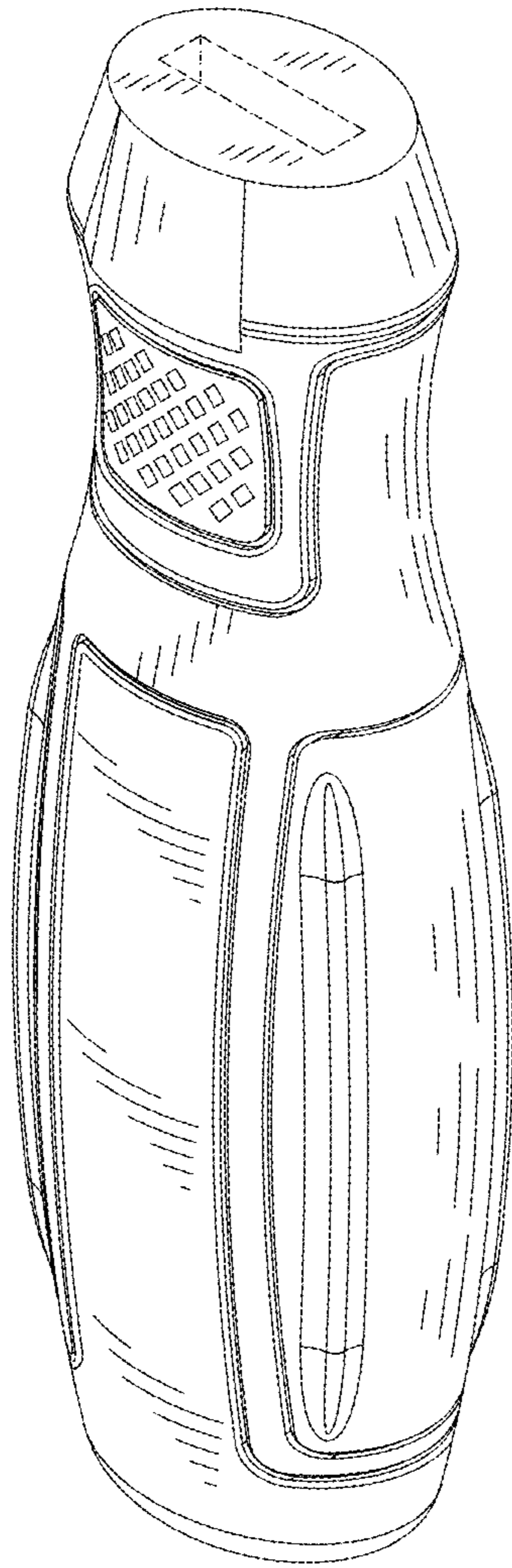


FIG. 1

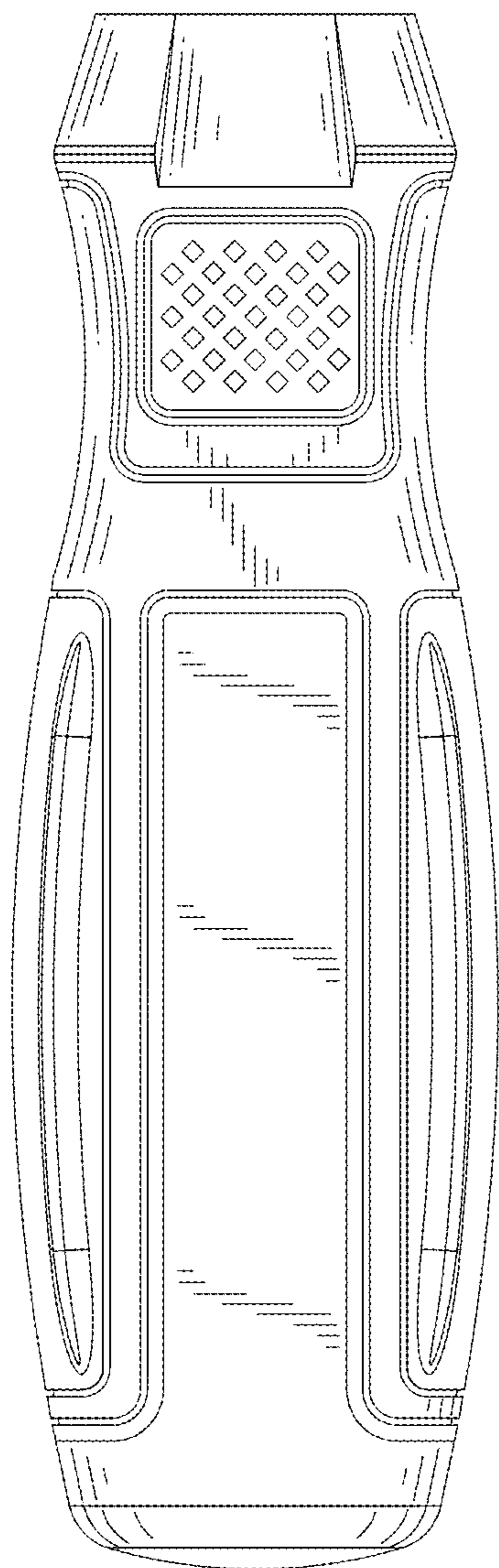


FIG. 2

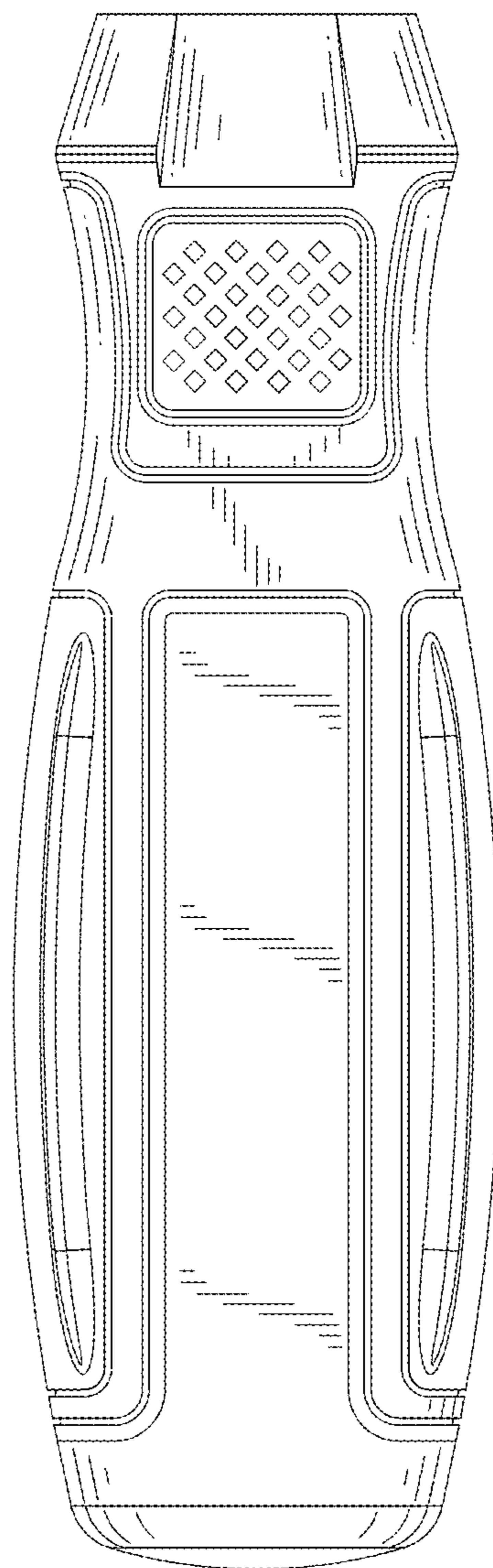


FIG. 3

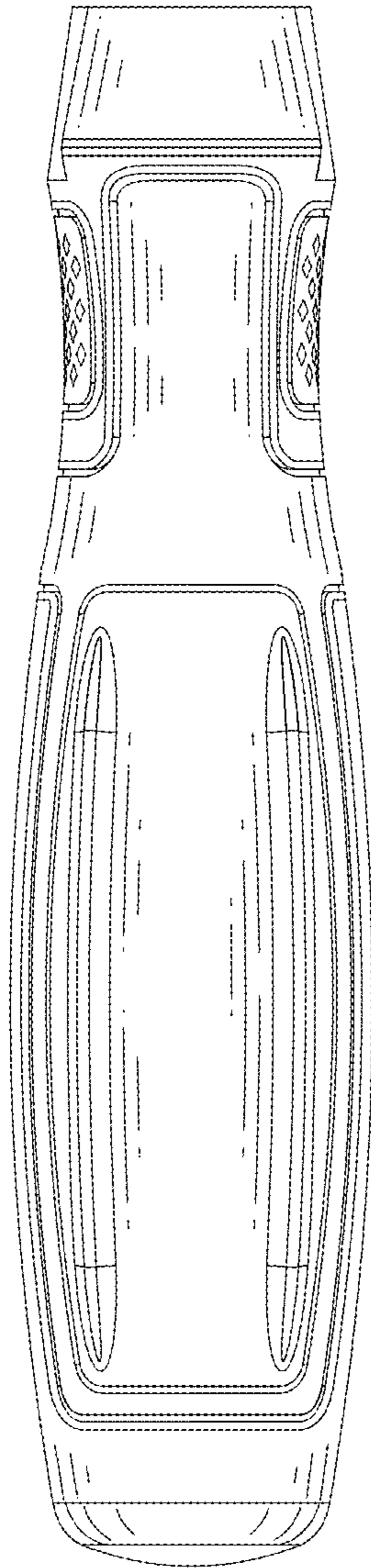


FIG. 4

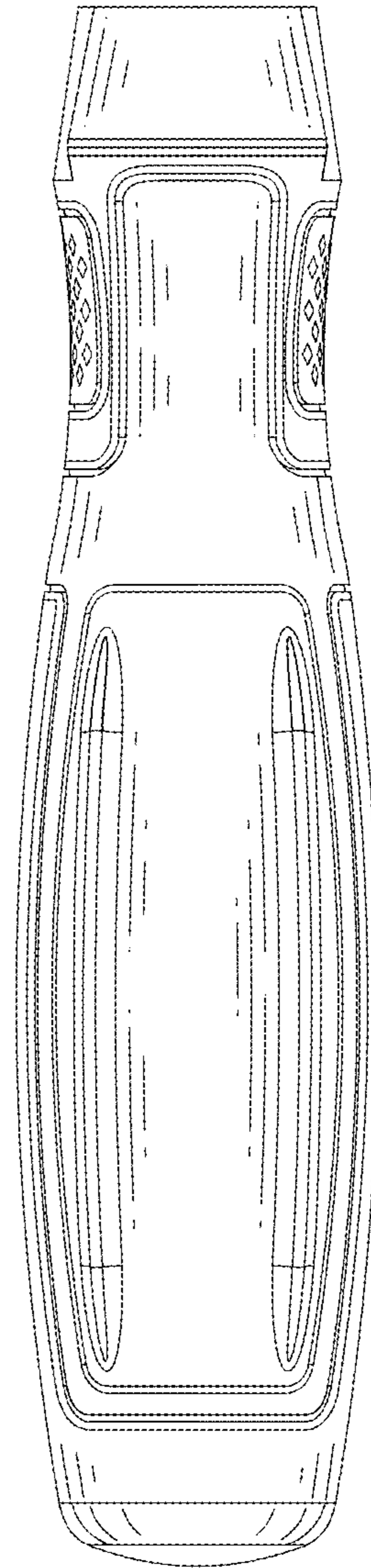


FIG. 5

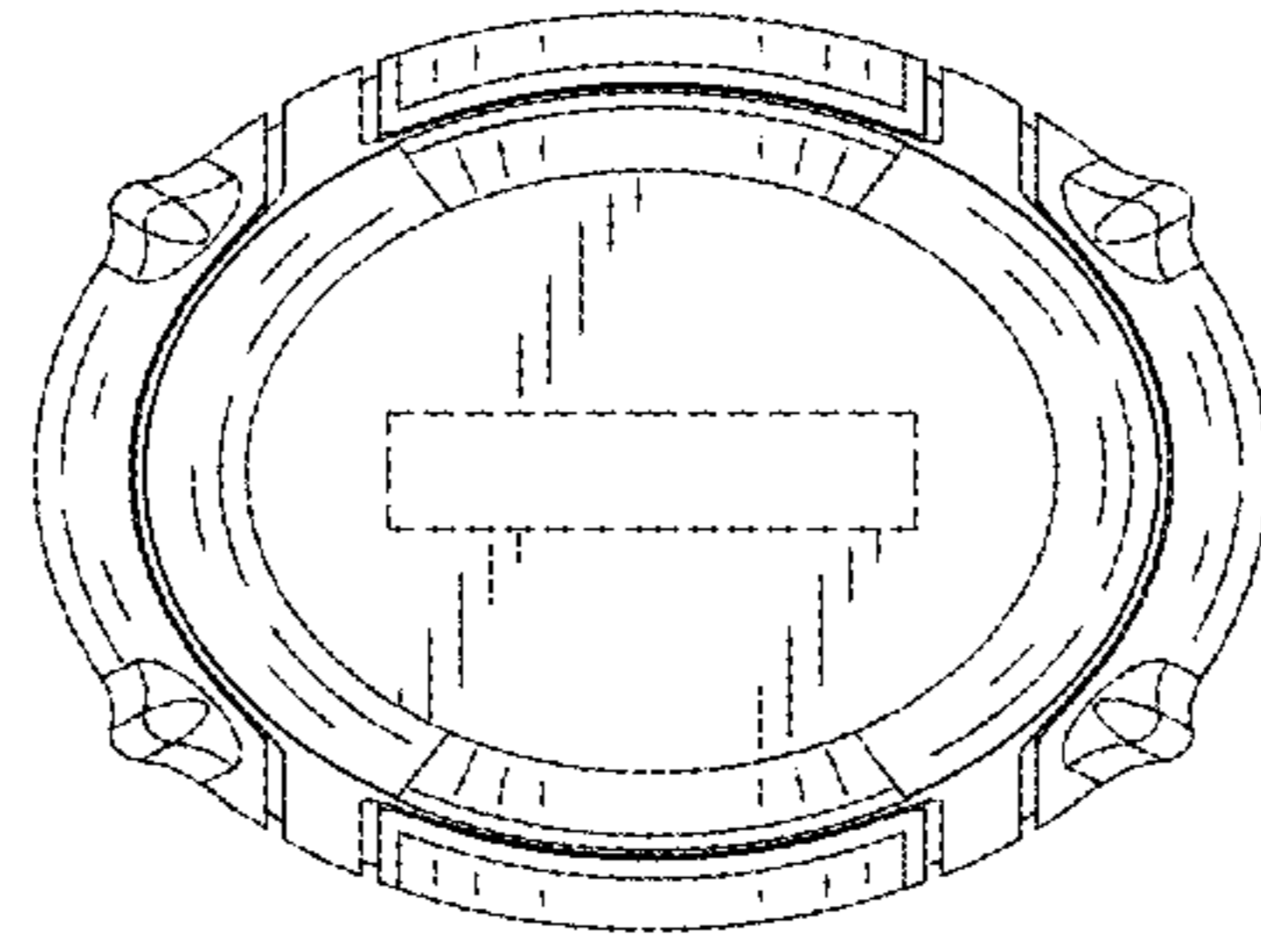


FIG. 6

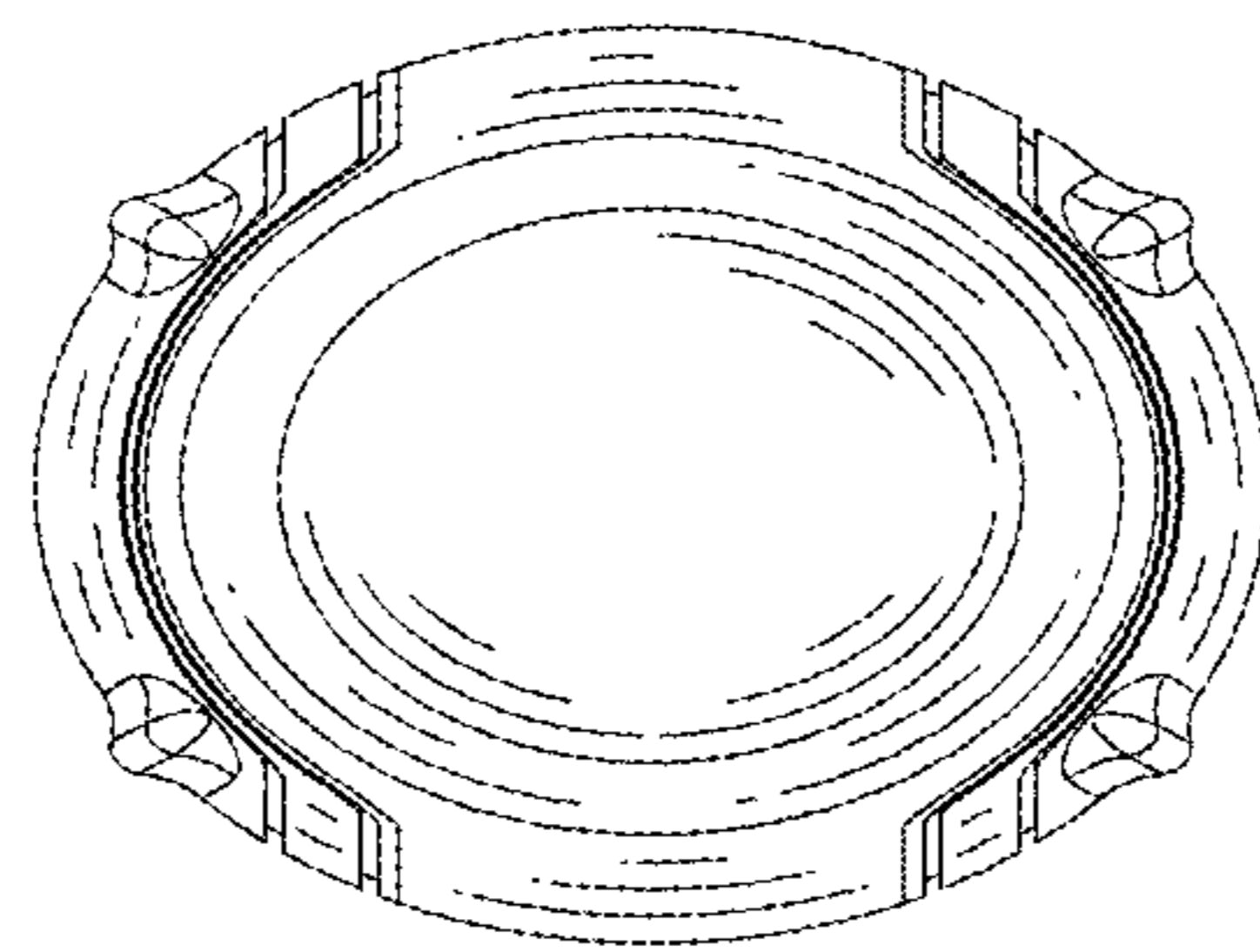


FIG. 7

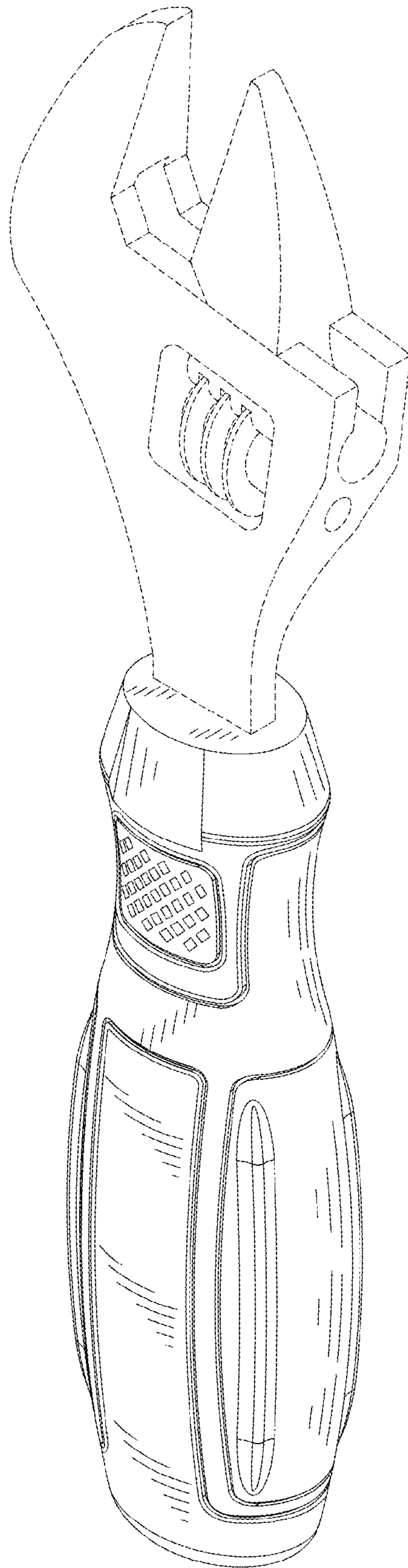


FIG. 8