



US00D919394S

(12) **United States Design Patent** (10) **Patent No.:** **US D919,394 S**  
**Zhong et al.** (45) **Date of Patent:** **\*\* May 18, 2021**

(54) **ELECTRIC GRINDING MACHINE**

(71) Applicant: **Shenzhen Aukeyhi Technology Co., Ltd.**, Shenzhen (CN)

(72) Inventors: **Xiaomin Zhong**, Shenzhen (CN);  
**Huiyue Ze**, Shenzhen (CN)

(73) Assignee: **Shenzhen Aukeyhi Technology Co., Ltd.**, Shenzhen (CN)

(\*\*) Term: **15 Years**

(21) Appl. No.: **29/716,273**

(22) Filed: **Dec. 9, 2019**

(30) **Foreign Application Priority Data**

Aug. 27, 2019 (EM) ..... 006777629

(51) **LOC (13) Cl.** ..... **08-01**

(52) **U.S. Cl.**  
USPC ..... **D8/61**

(58) **Field of Classification Search**  
USPC ..... D8/61, 62, 69  
CPC ..... B25B 21/02; B25B 21/008; B25B 23/16;  
B25B 23/1405; A61B 17/1615; B25F  
5/02

See application file for complete search history.

(56) **References Cited**

**U.S. PATENT DOCUMENTS**

D310,160 S *	8/1990	Patel	.....	D8/61
D427,040 S *	6/2000	Heun	.....	D8/61
D427,870 S *	7/2000	Heun	.....	D8/61
D433,905 S *	11/2000	Cooper	.....	D8/61
D459,176 S *	6/2002	Duennes	.....	D8/61
D469,671 S *	2/2003	Prell	.....	D8/61
D477,202 S *	7/2003	Duennes	.....	D8/61
D507,730 S *	7/2005	Oles	.....	D8/61

D510,848 S *	10/2005	Singh	.....	D8/61
D556,000 S *	11/2007	Singh	.....	D8/61
D618,079 S *	6/2010	Blythe	.....	D8/61
D634,998 S *	3/2011	Garfield	.....	D8/61
D663,180 S *	7/2012	Jerome	.....	D8/61
D677,540 S *	3/2013	Meyers	.....	D8/61
D715,615 S *	10/2014	Nagy	.....	D8/61
D720,196 S *	12/2014	Hsiao	.....	D8/61
D794,407 S *	8/2017	Markwald	.....	D8/61
D873,104 S *	1/2020	Chen	.....	D8/61
D880,265 S *	4/2020	Ruivivar	.....	D8/61
D889,227 S *	7/2020	Chen	.....	D8/61
D889,228 S *	7/2020	Chen	.....	D8/61
2005/0152759 A1 *	7/2005	Allemann	.....	B24B 23/02 409/181
2005/0200087 A1 *	9/2005	Vasudeva	.....	B25F 3/00 279/143
2013/0062838 A1 *	3/2013	Bernardi	.....	B23B 45/006 279/150

\* cited by examiner

*Primary Examiner* — Philip S Hyder

(74) *Attorney, Agent, or Firm* — Westbridge IP LLC

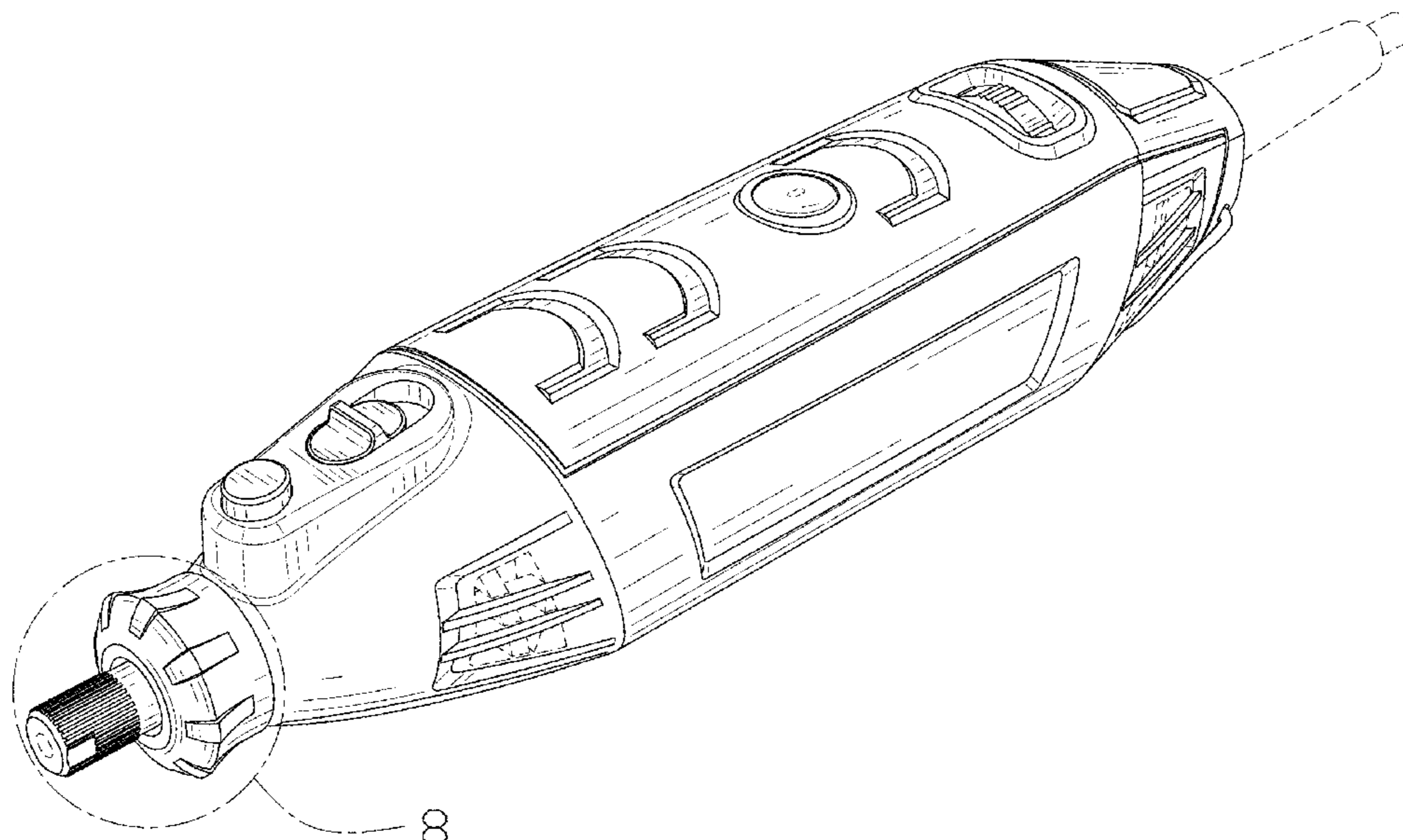
(57) **CLAIM**

The ornamental design for an electric grinding machine, as shown and described.

**DESCRIPTION**

FIG. 1 is a front perspective view of an electric grinding machine showing our new design; FIG. 2 is a front elevational view thereof; FIG. 3 is a rear elevational view thereof; FIG. 4 is a left side view thereof; FIG. 5 is a right side view thereof; FIG. 6 is a top plan view thereof; FIG. 7 is a bottom plan view thereof; and, FIG. 8 is an enlarged view of portion 8 of FIG. 1. The evenly broken lines in the drawings illustrate portions of the electric grinding machine that form no part of the claim.

**1 Claim, 8 Drawing Sheets**



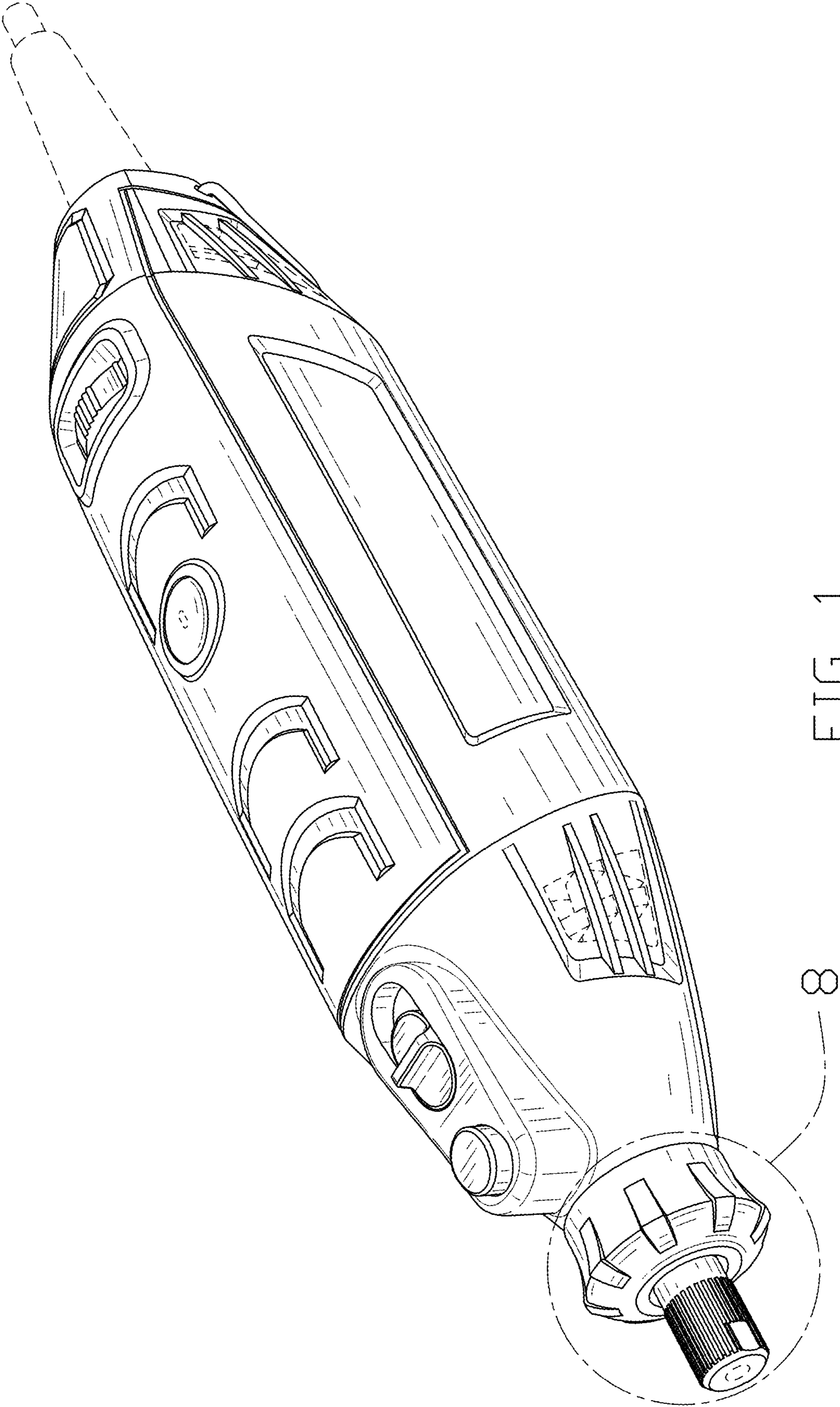


FIG. 1

8

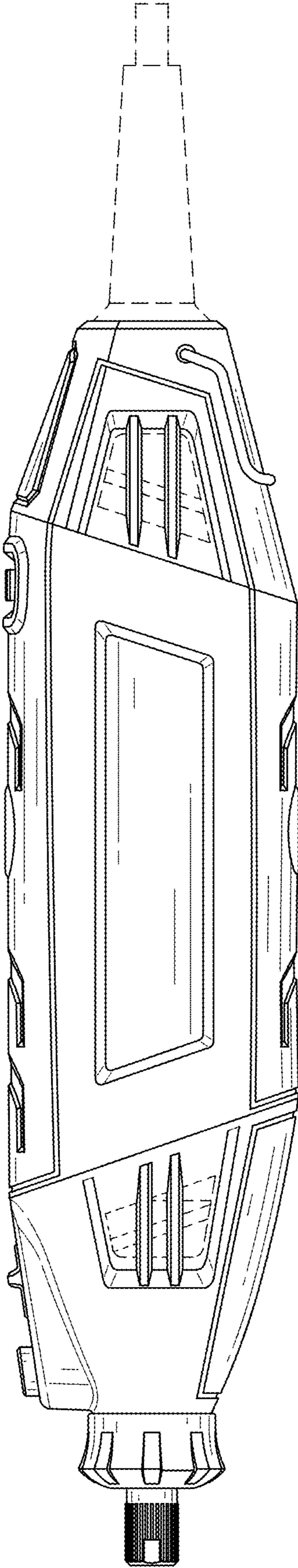


FIG. 2

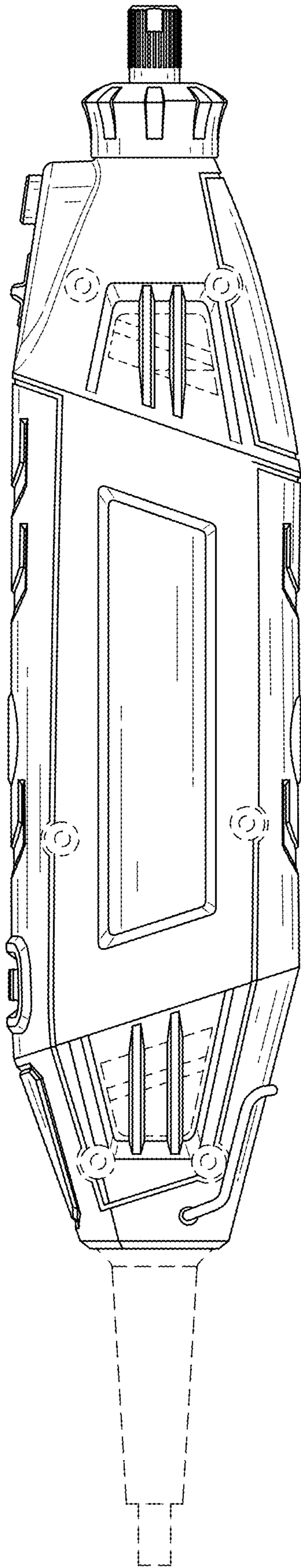


FIG. 3

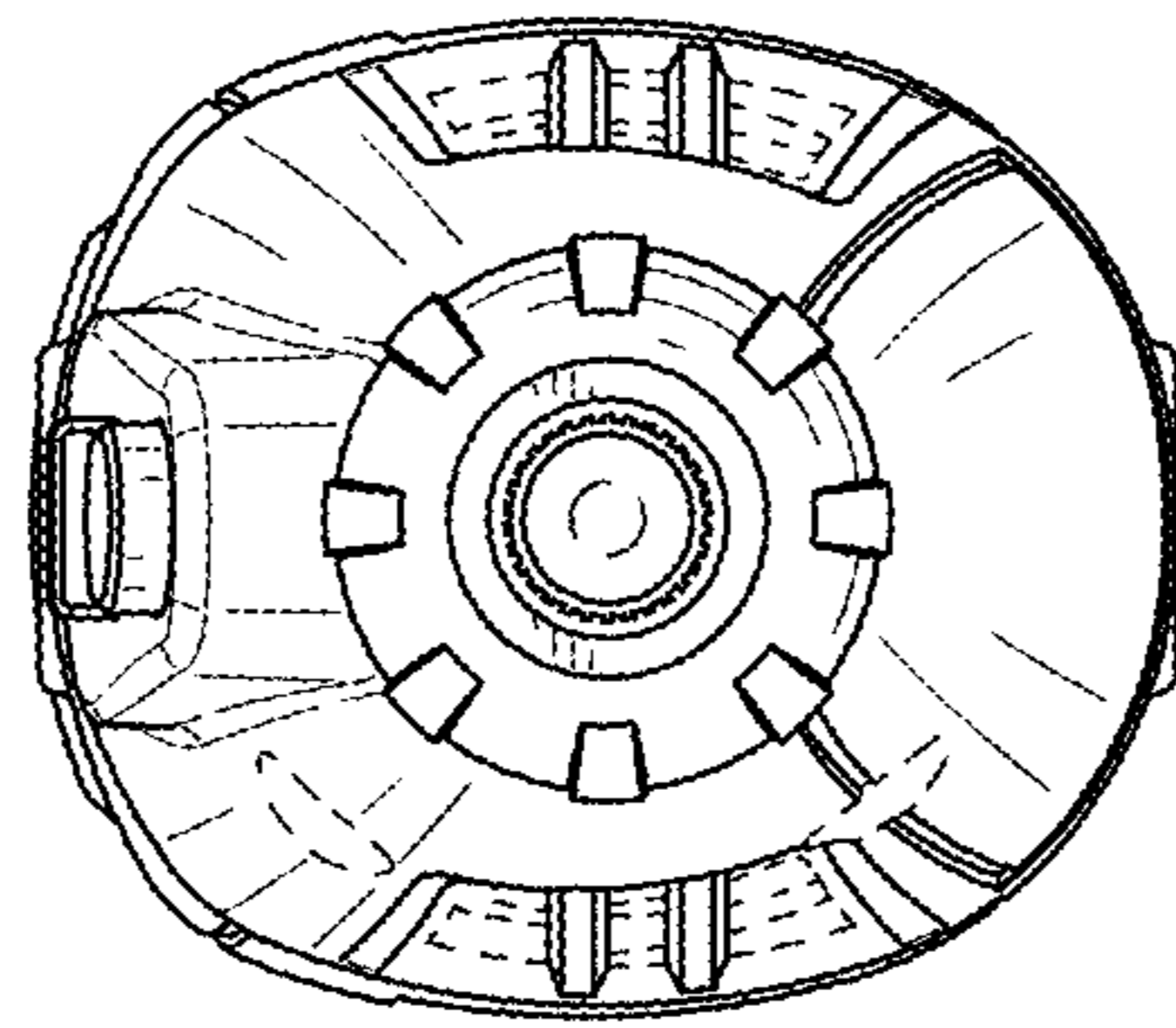


FIG. 4

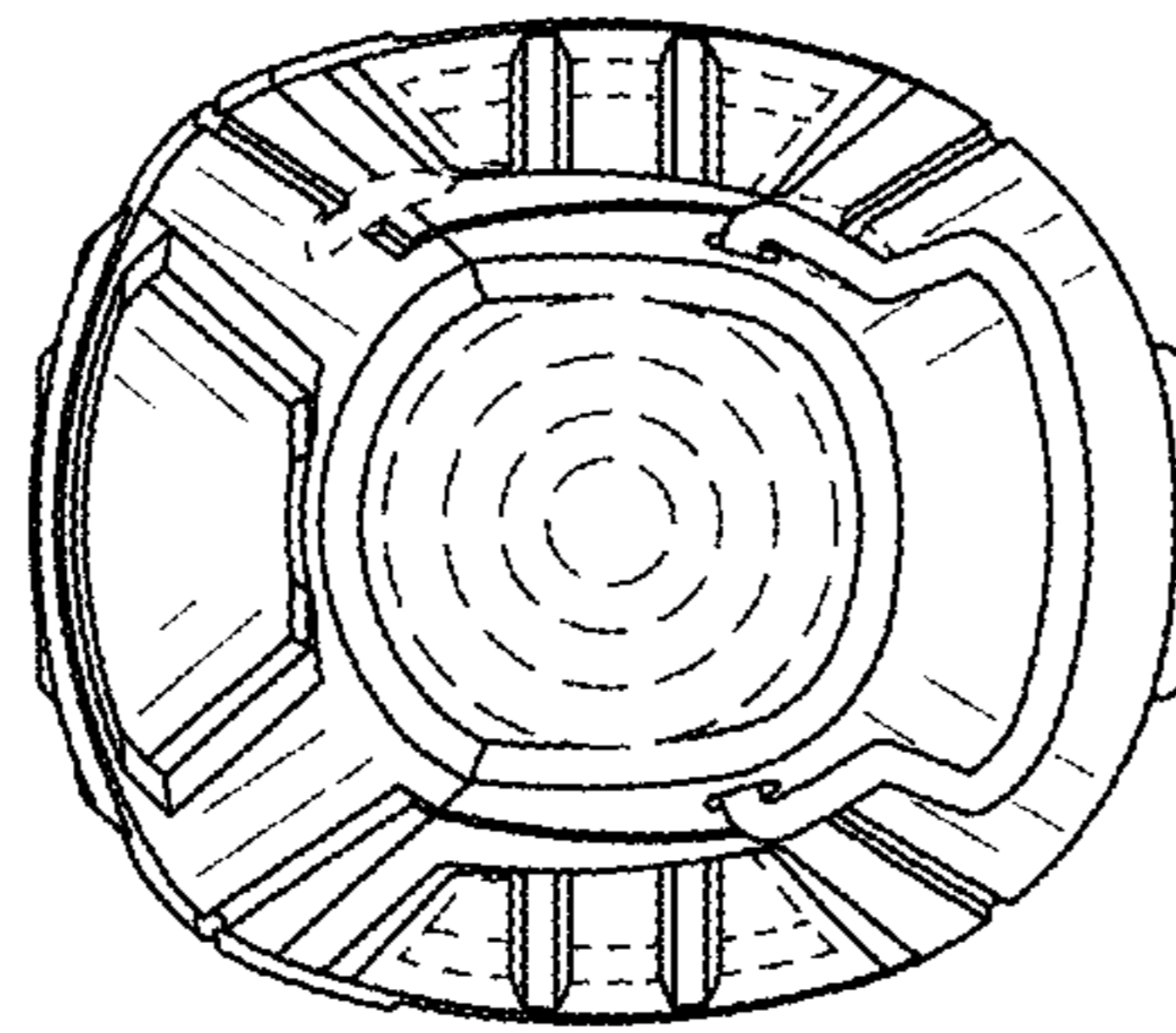


FIG. 5

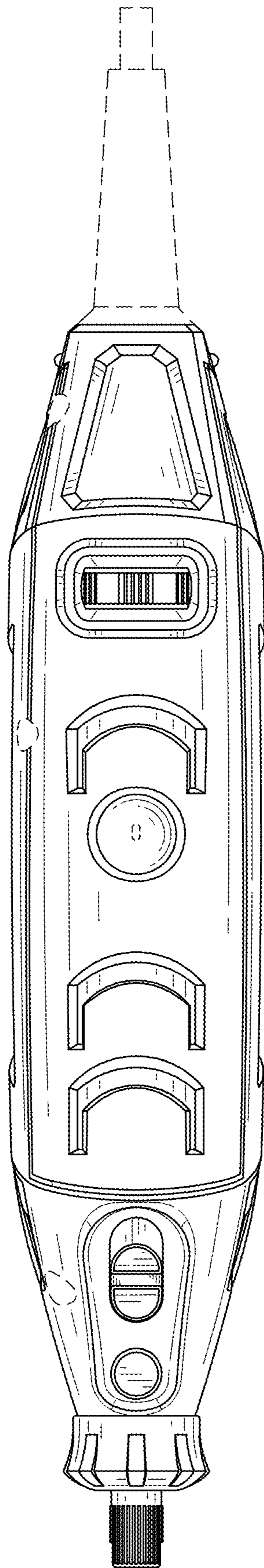


FIG. 6

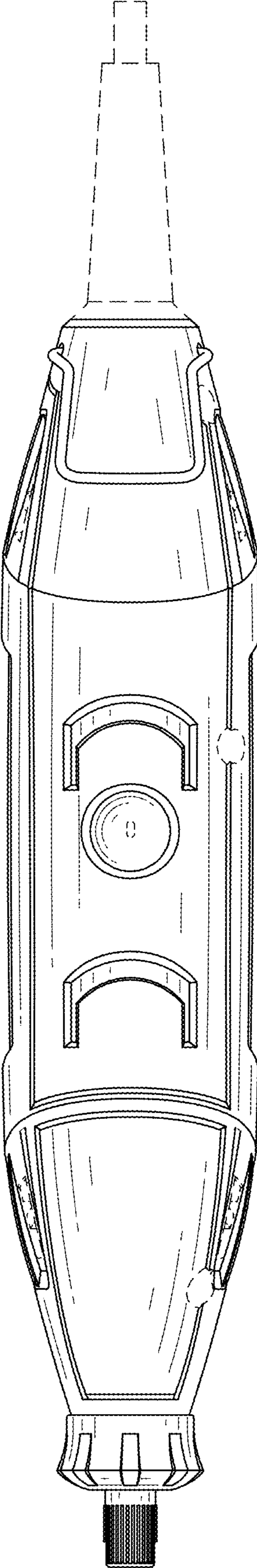


FIG. 7



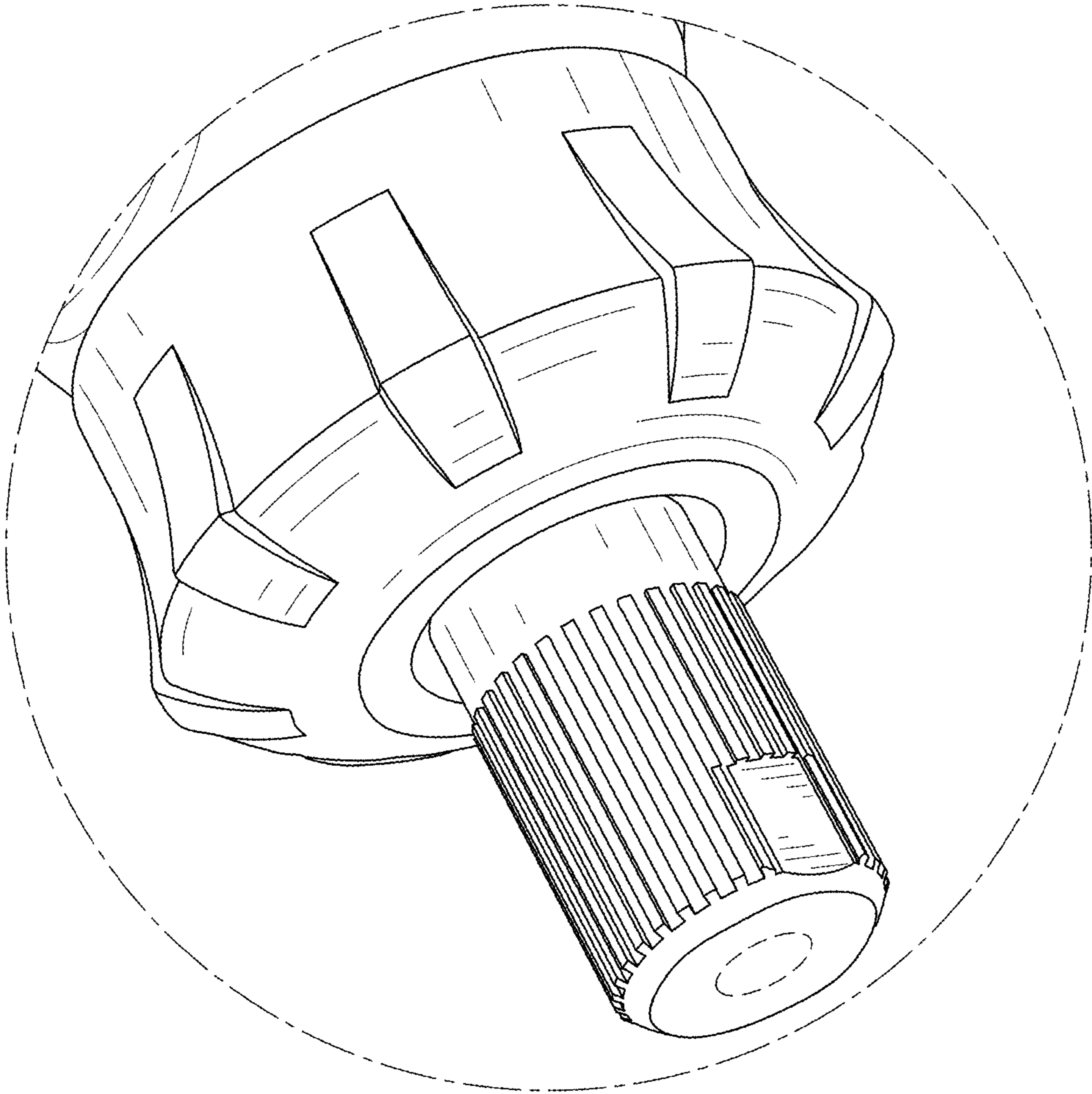


FIG. 8