



US00D919393S

(12) **United States Design Patent**  
**Yin et al.**

(10) **Patent No.:** **US D919,393 S**

(45) **Date of Patent:** **\*\* May 18, 2021**

(54) **HEAT GUN**

(71) Applicant: **Shenzhen Aukeyhi Technology Co., Ltd.**, Shenzhen (CN)

(72) Inventors: **Xiaowei Yin**, Shenzhen (CN); **Huiyue Ze**, Shenzhen (CN)

(73) Assignee: **Shenzhen Aukeyhi Technology Co., Ltd.**, Shenzhen (CN)

(\*\*) Term: **15 Years**

(21) Appl. No.: **29/716,270**

(22) Filed: **Dec. 9, 2019**

(30) **Foreign Application Priority Data**

Aug. 27, 2019 (EM) ..... 006776712

(51) **LOC (13) Cl.** ..... **08-05**

(52) **U.S. Cl.**  
USPC ..... **D8/29.1**

(58) **Field of Classification Search**  
USPC ..... D8/29.1, 29.2, 30, 61, 67, 68; D28/13  
CPC ..... A45D 20/08; A45D 20/10; F24H 3/00;  
F24H 3/0423

See application file for complete search history.

(56) **References Cited**

**U.S. PATENT DOCUMENTS**

D388,297 S \* 12/1997 Bittenbender ..... D8/29.1  
D481,277 S \* 10/2003 Waldron ..... D8/29.1  
D516,883 S \* 3/2006 Popov ..... D8/29.1  
D552,443 S \* 10/2007 Aglassinger ..... D8/29.1  
D615,834 S \* 5/2010 Netzler ..... D8/29.1

D615,835 S \* 5/2010 Netzler ..... D8/29.1  
D639,129 S \* 6/2011 Van Wambeke ..... D8/29.1  
D641,220 S \* 7/2011 Shi ..... D8/29.1  
D664,820 S \* 8/2012 Furling ..... D8/29.1  
D740,629 S \* 10/2015 Furling ..... D8/29.1  
D742,708 S \* 11/2015 Howell ..... D8/29.1  
D803,649 S \* 11/2017 van der Rest ..... D8/68  
D829,519 S \* 10/2018 Teraoka ..... D8/29.1  
D846,963 S \* 4/2019 van der Rest ..... D8/68  
D867,842 S \* 11/2019 Shimazu ..... D8/29.1  
D871,871 S \* 1/2020 Yang ..... D8/29.1  
2010/0212095 A1 \* 8/2010 Suen ..... B44D 3/164  
15/105

\* cited by examiner

*Primary Examiner* — Philip S Hyder

(74) *Attorney, Agent, or Firm* — Westbridge IP LLC

(57) **CLAIM**

The ornamental design for a heat gun, as shown and described.

**DESCRIPTION**

FIG. 1 is a front perspective view of a heat gun showing our new design;

FIG. 2 is a rear perspective view thereof;

FIG. 3 is a front elevational view thereof;

FIG. 4 is a rear elevational view thereof;

FIG. 5 is a left side view thereof;

FIG. 6 is a right side view thereof;

FIG. 7 is a top plan view thereof;

FIG. 8 is a bottom plan view thereof; and,

FIG. 9 is an enlarged view of portion 9 of FIG. 8.

The broken lines in the drawings illustrate the portions of the heat gun which form no part of the claimed design.

**1 Claim, 9 Drawing Sheets**

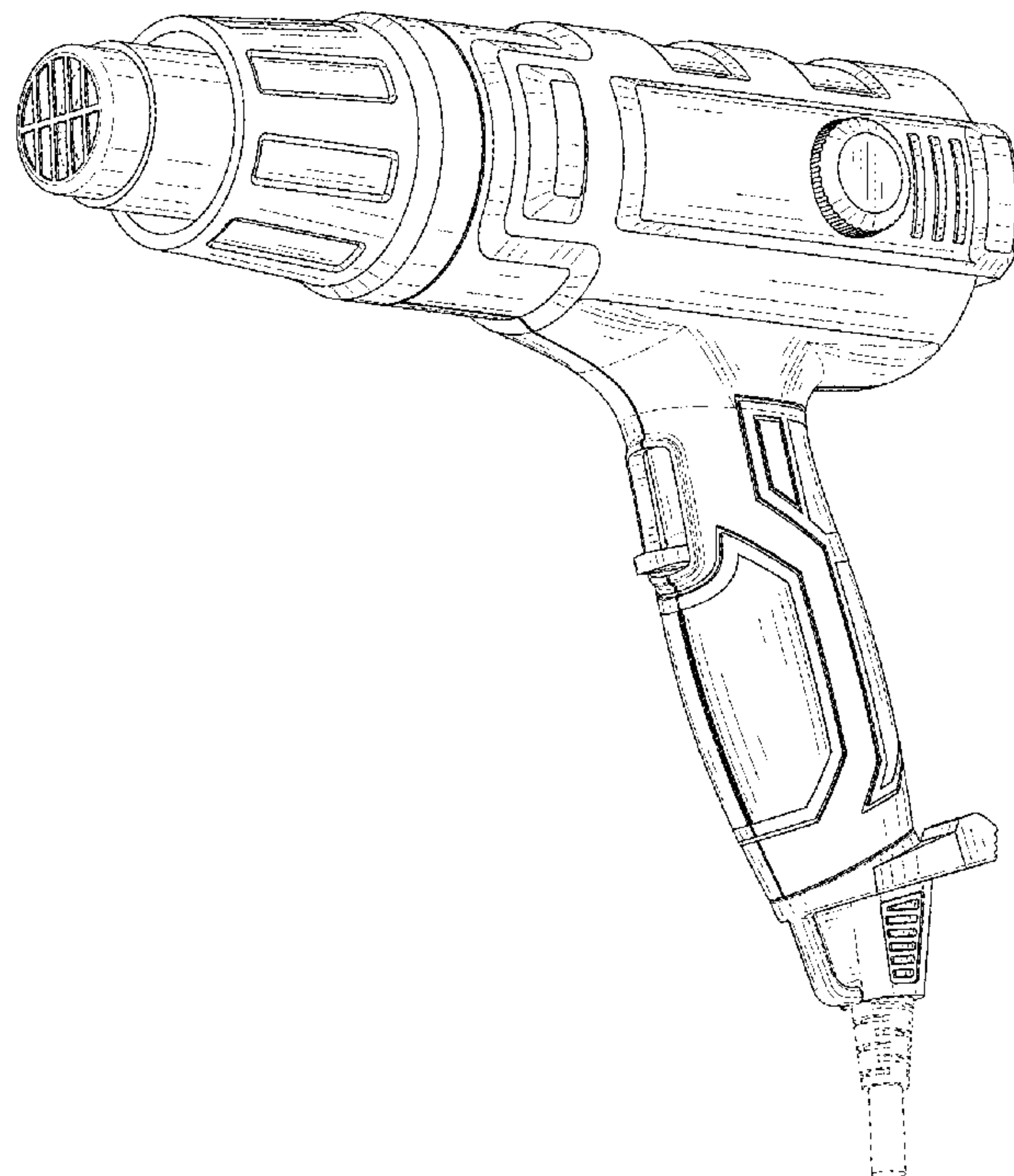




FIG. 1

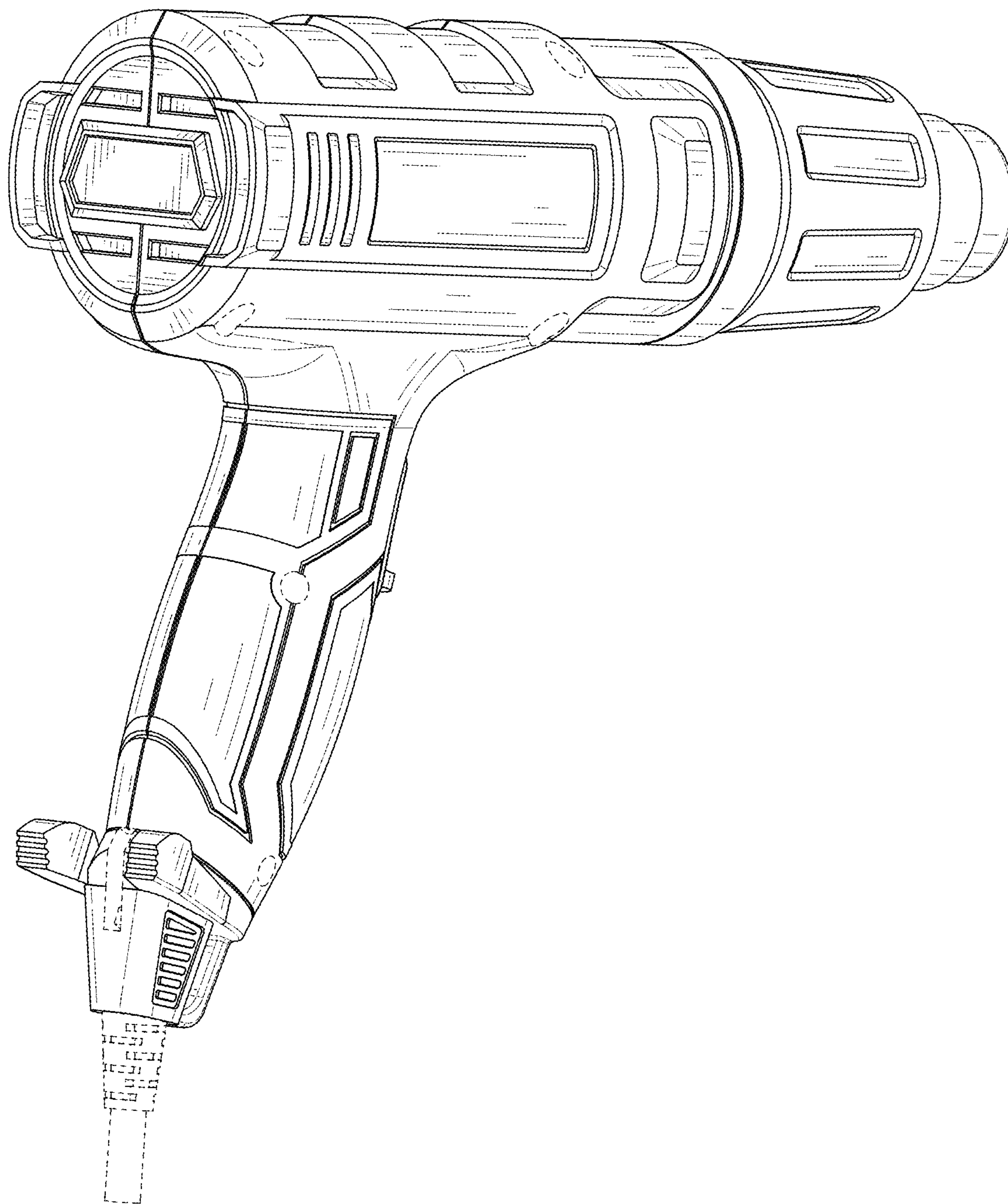


FIG. 2



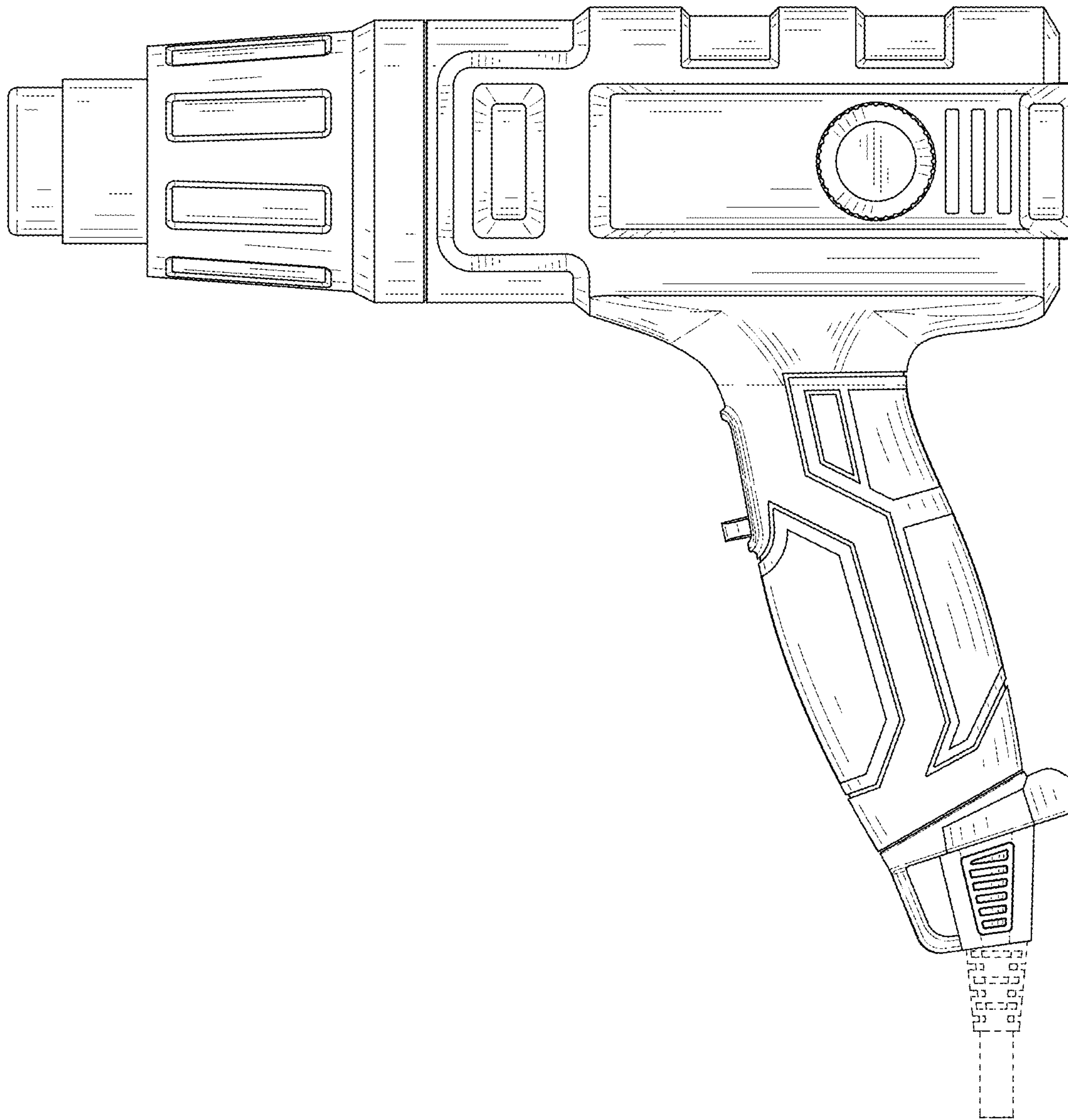


FIG. 3

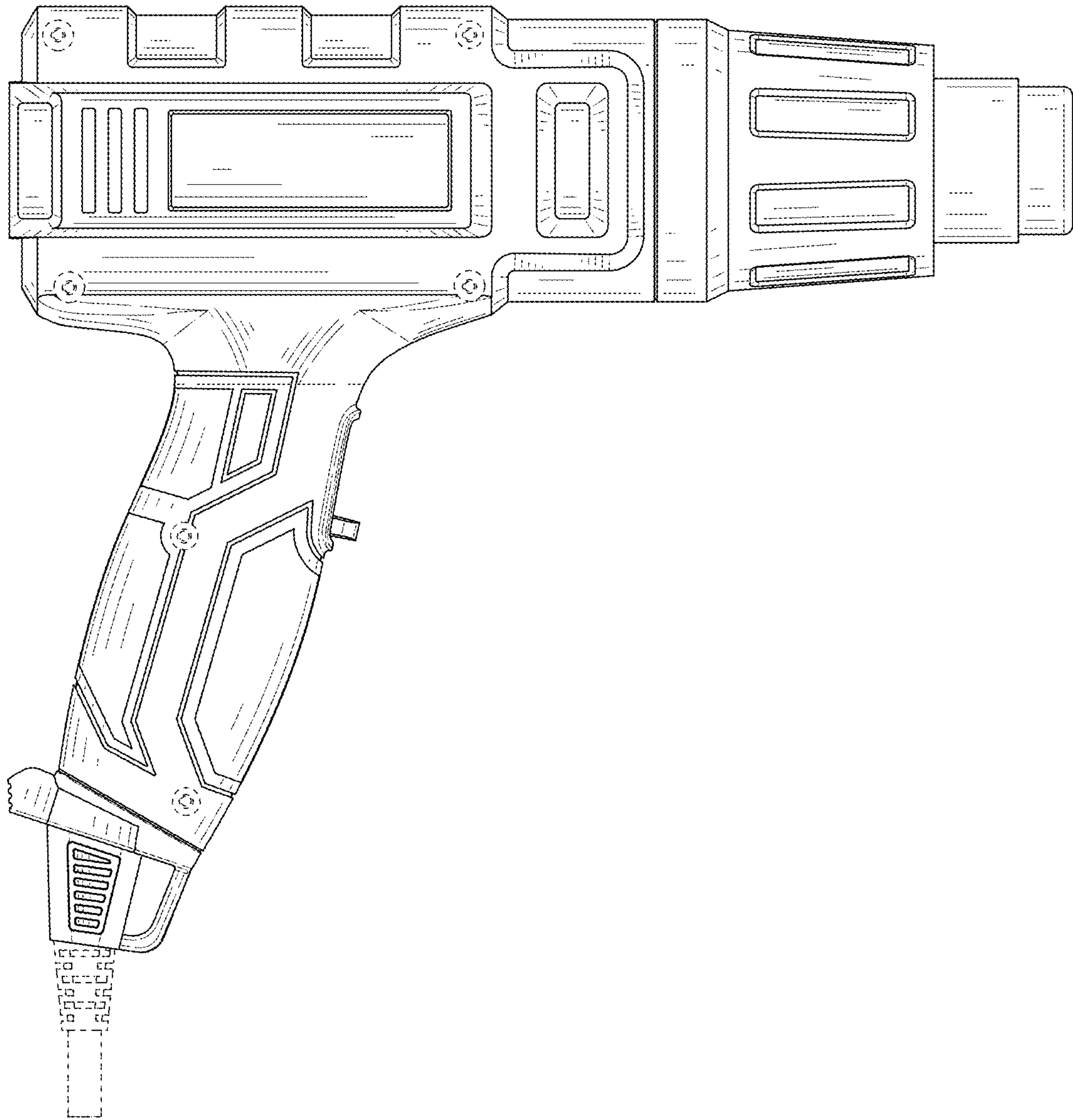


FIG. 4

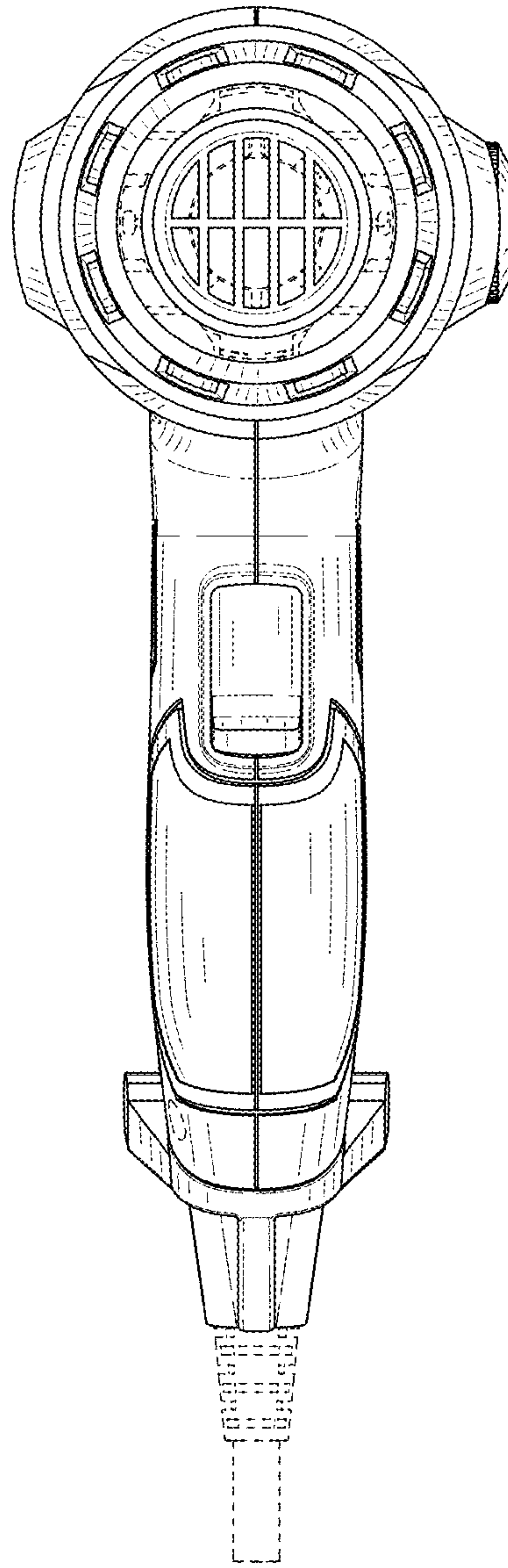


FIG. 5

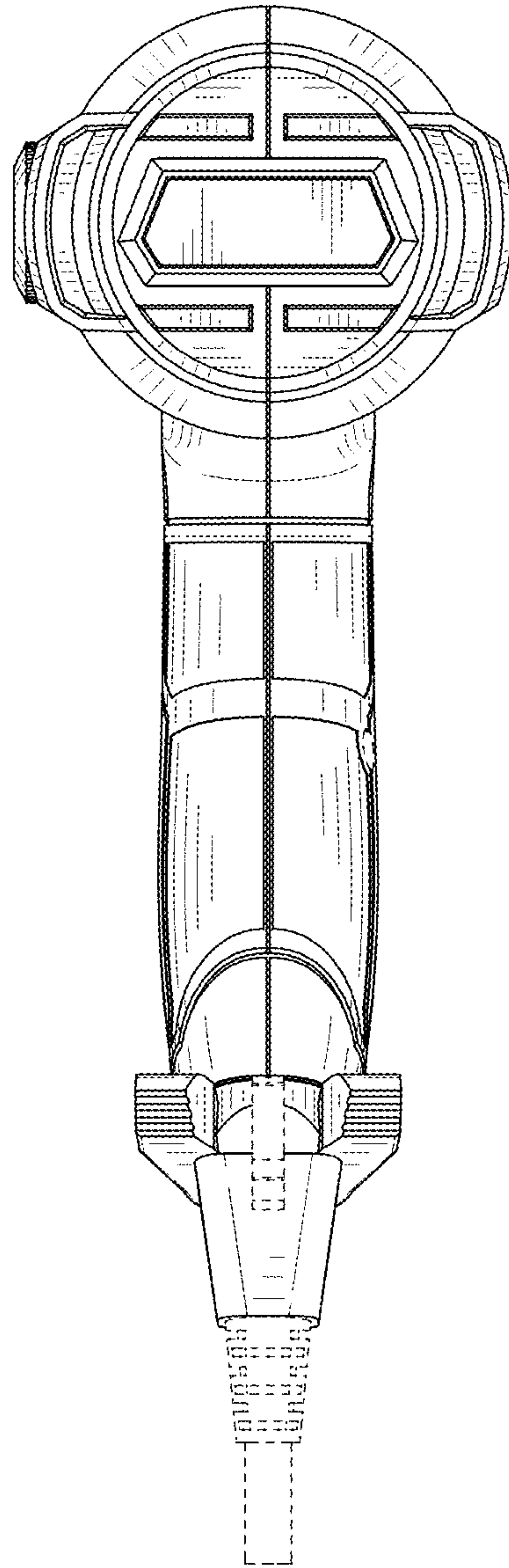


FIG. 6

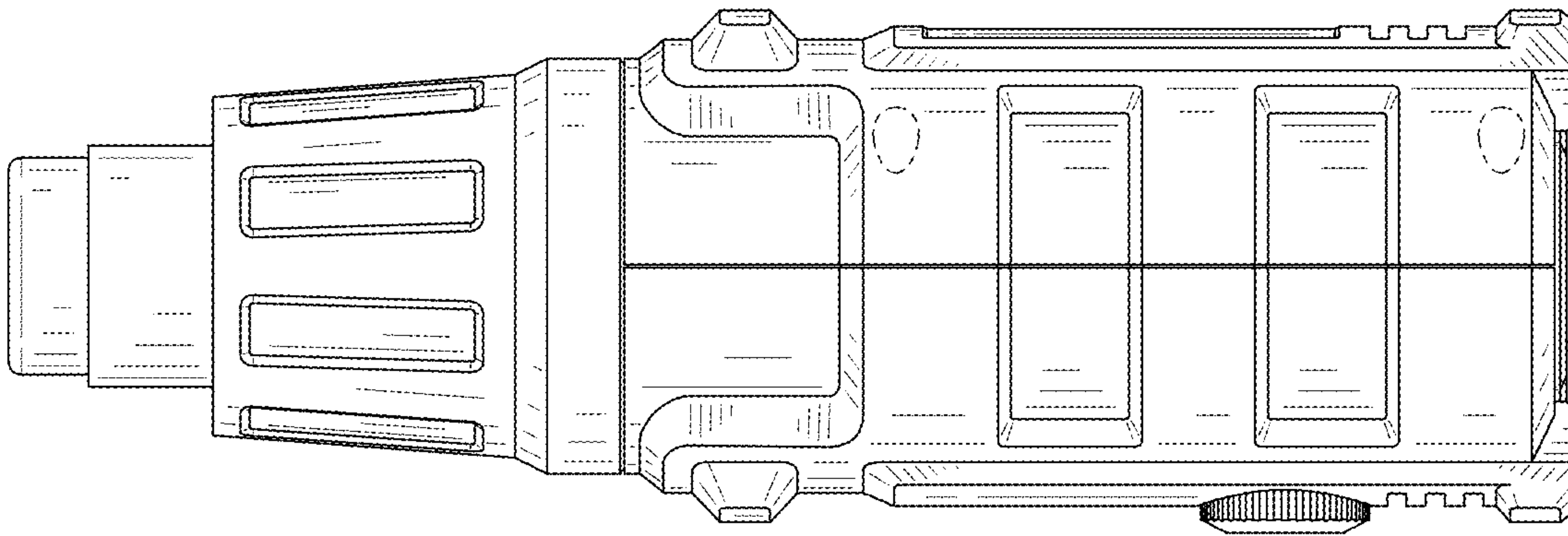


FIG. 7



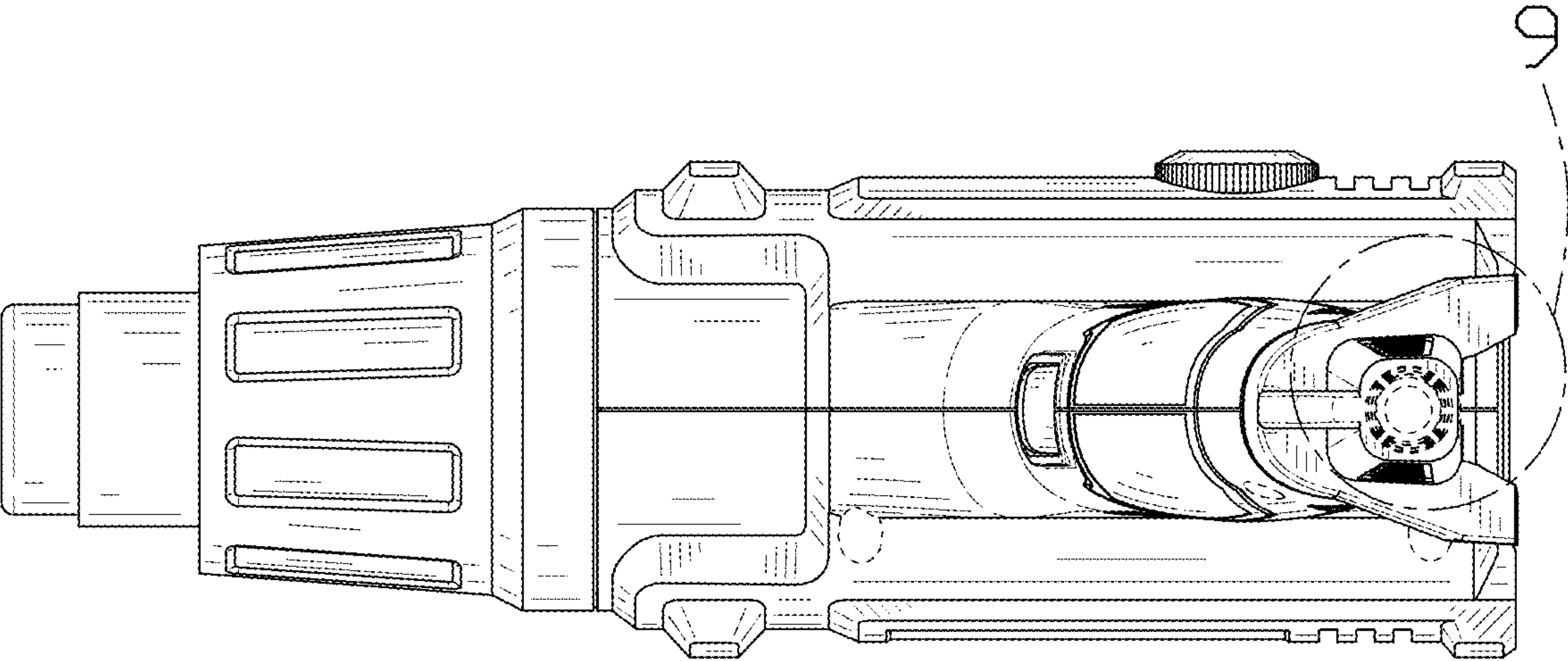


FIG. 8

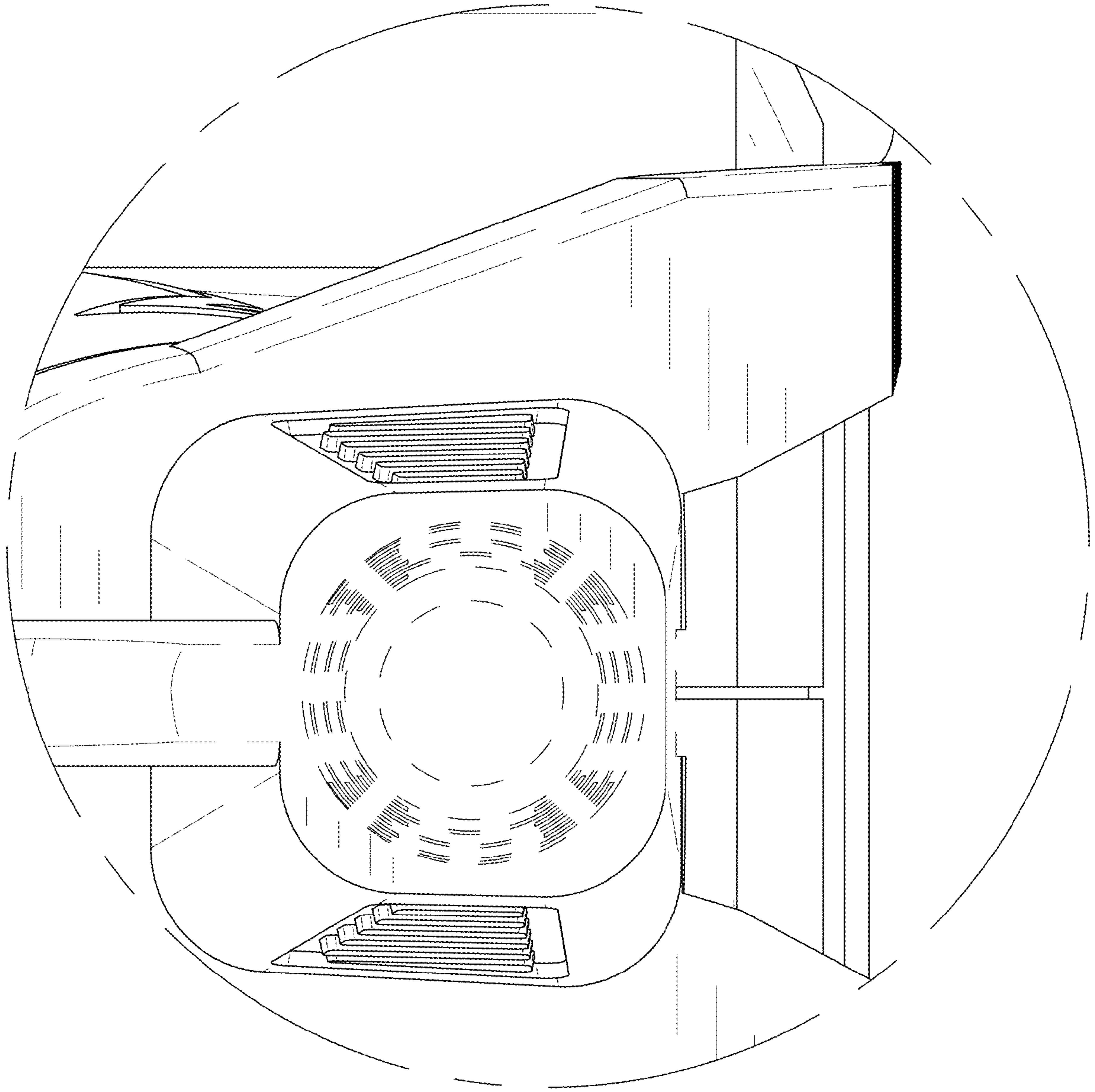


FIG. 9