



US00D919392S

(12) **United States Design Patent**  
**Moeller**

(10) **Patent No.:** **US D919,392 S**

(45) **Date of Patent:** **\*\* May 18, 2021**

(54) **HOT AIR GUN**

(71) Applicant: **STEINEL GmbH**, Herzebrock-Clarholz  
(DE)

(72) Inventor: **Thomas Moeller**, Herzebrock-Clarholz  
(DE)

(73) Assignee: **STEINEL GmbH**, Herzebrock-Clarholz  
(DE)

(\*\*) Term: **15 Years**

(21) Appl. No.: **29/557,821**

(22) Filed: **Mar. 11, 2016**

(51) **LOC (13) Cl.** ..... **08-05**

(52) **U.S. Cl.**  
USPC ..... **D8/29.1**

(58) **Field of Classification Search**  
USPC ..... D8/29.1, 29.2; D15/144; D28/13  
CPC ..... F24H 3/00; F24H 3/0423; F16M 13/00  
See application file for complete search history.

(56) **References Cited**

**U.S. PATENT DOCUMENTS**

D388,297 S \* 12/1997 Bittenbender ..... D8/29.1  
D481,277 S \* 10/2003 Waldron ..... D8/29.1  
D516,883 S \* 3/2006 Popov ..... D8/29.1

D552,443 S \* 10/2007 Aglassinger ..... D8/29.1  
D617,618 S \* 6/2010 Steinel ..... D28/13  
D639,129 S \* 6/2011 Van Wambeke ..... D8/29.1  
D641,220 S \* 7/2011 Shi ..... D8/29.1

\* cited by examiner

*Primary Examiner* — Philip S Hyder

(74) *Attorney, Agent, or Firm* — Snell & Wilmer L.L.P.

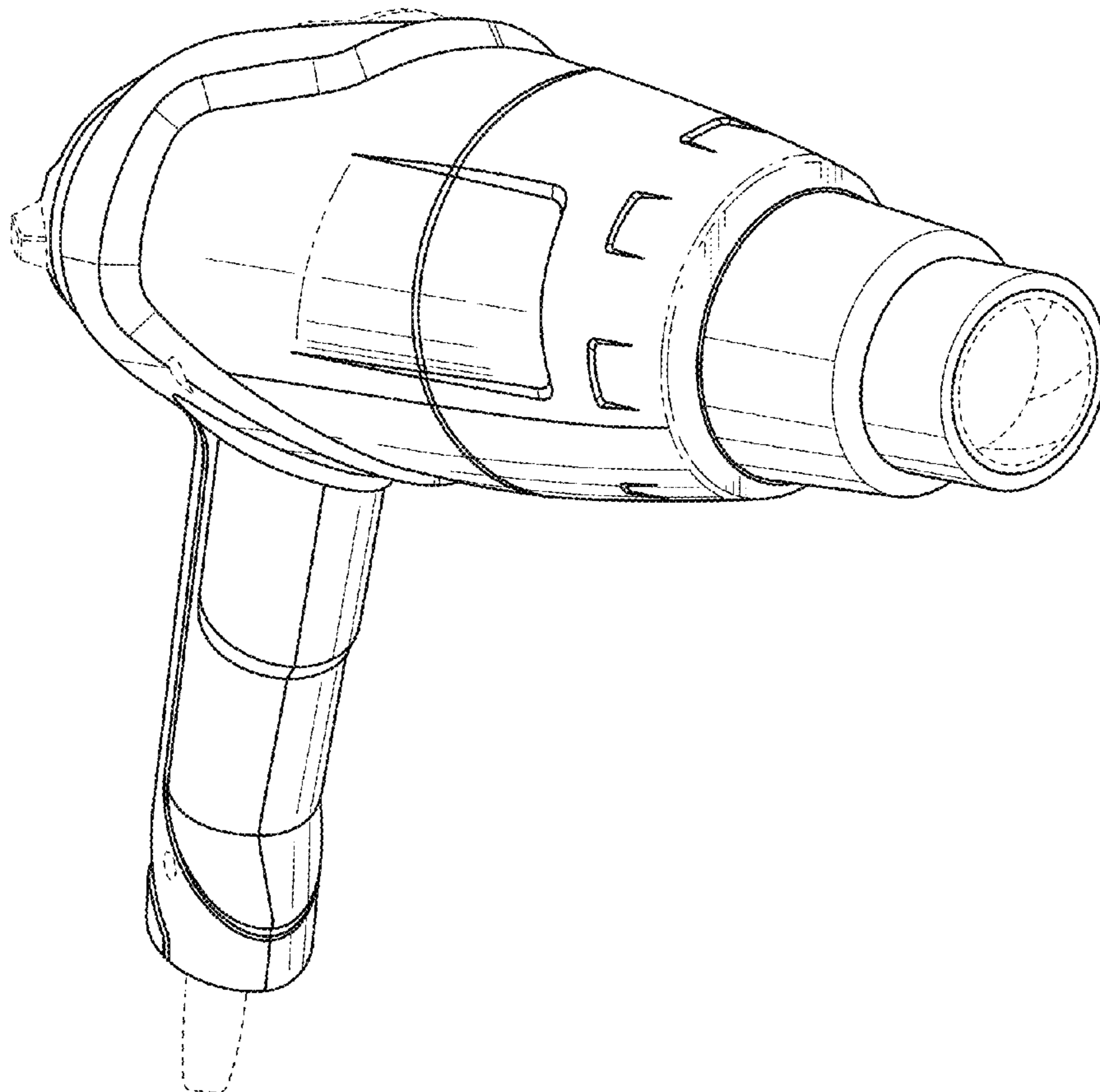
(57) **CLAIM**

An ornamental design for a hot air gun, as shown and described.

**DESCRIPTION**

FIG. 1 is a front side perspective view illustrating the hot air gun showing my new design;  
FIG. 2 is a rear side perspective view illustrating the hot air gun showing my new design;  
FIG. 3 is a rear perspective view of the hot air gun shown in FIGS. 1 and 2;  
FIG. 4 is a top perspective view of the hot air gun shown in FIGS. 1 and 2;  
FIG. 5 is a bottom perspective view of the hot air gun shown in FIGS. 1 and 2;  
FIG. 6 is a first side perspective view of the of the hot air gun shown in FIGS. 1 and 2; and,  
FIG. 7 is a second side perspective view of the hot air gun shown in FIGS. 1 and 2.  
The broken lines in the FIGURES depict portions of the hot air gun that form no part of the claimed design.

**1 Claim, 7 Drawing Sheets**



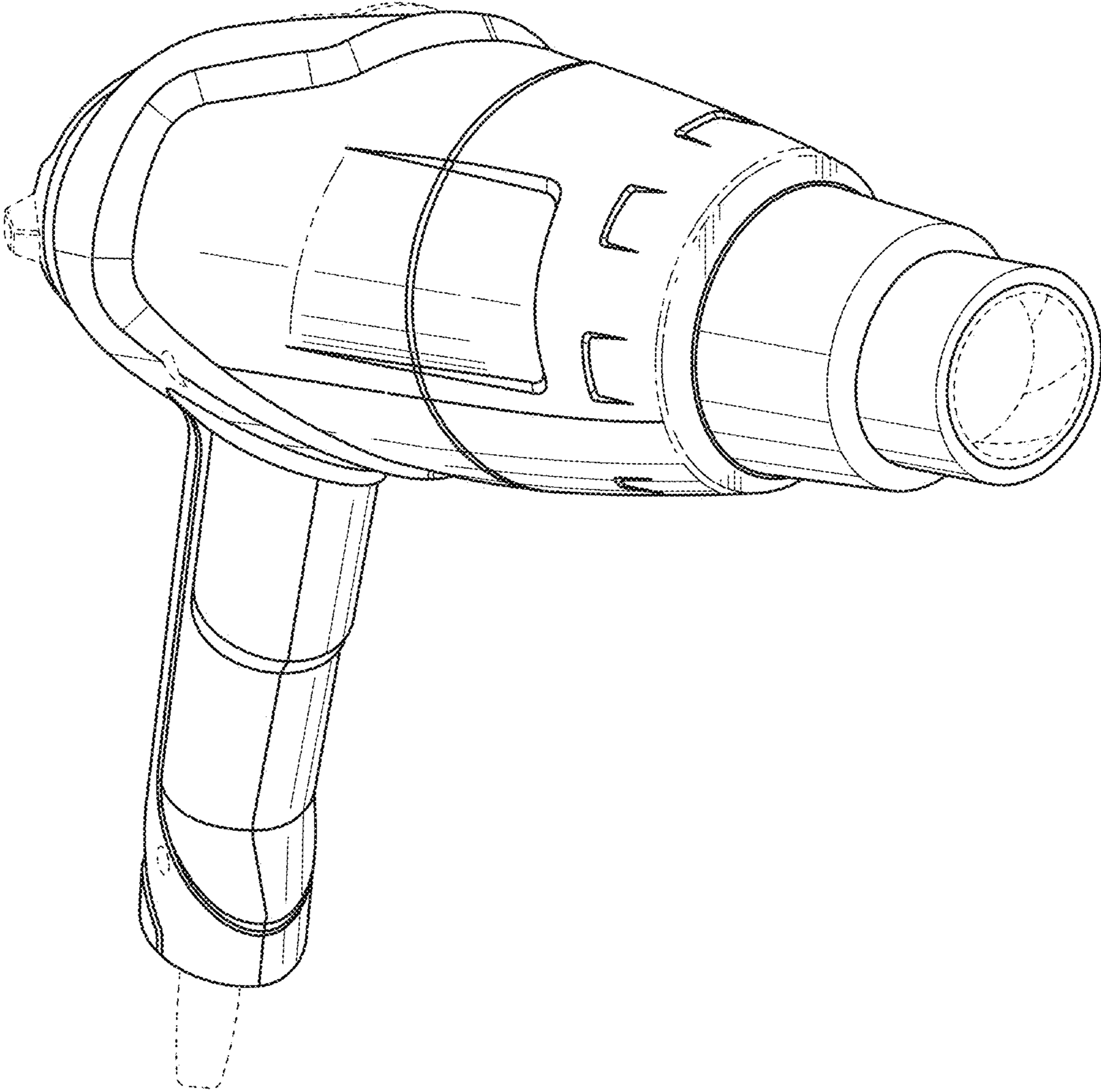


FIG. 1

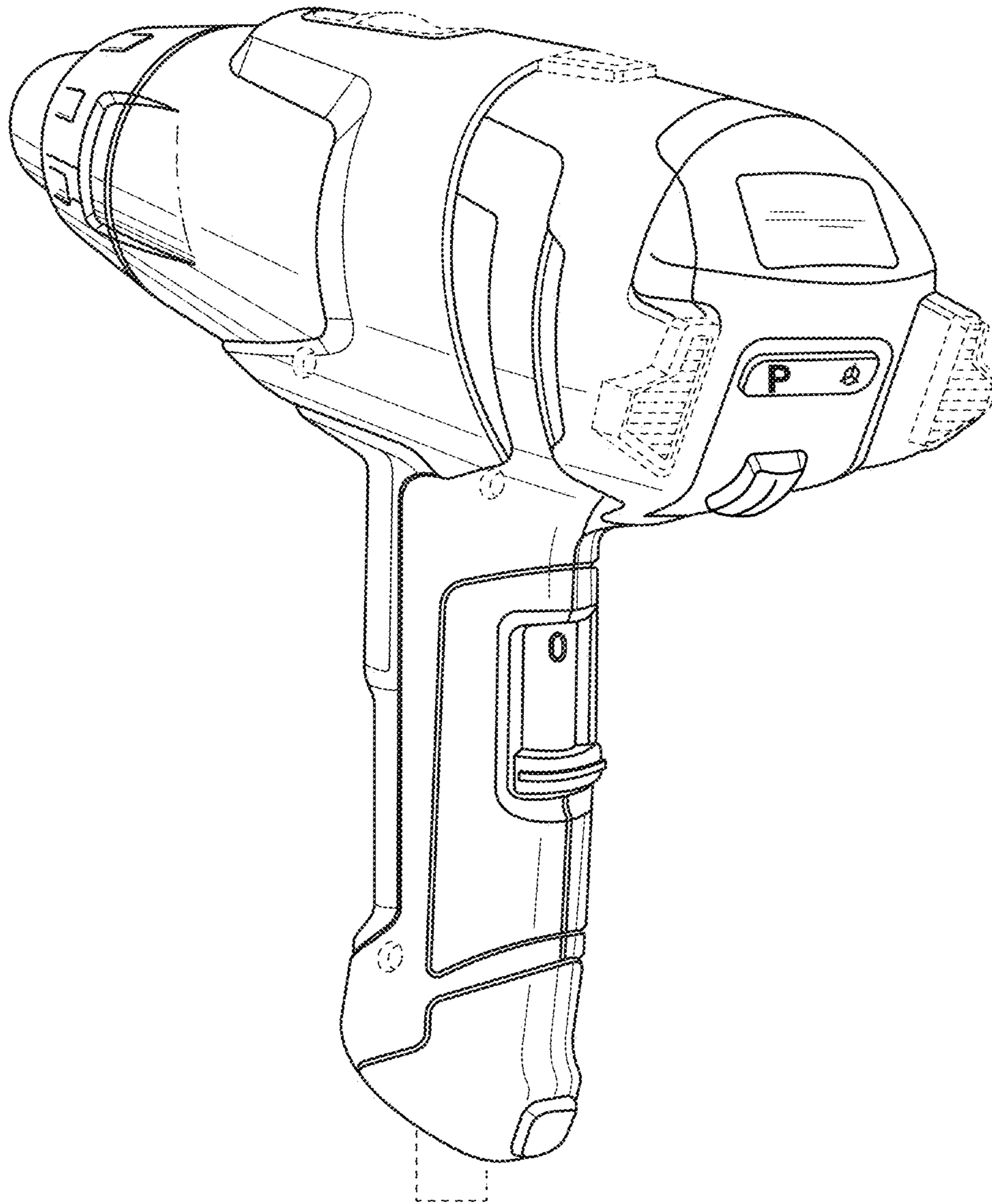


FIG. 2

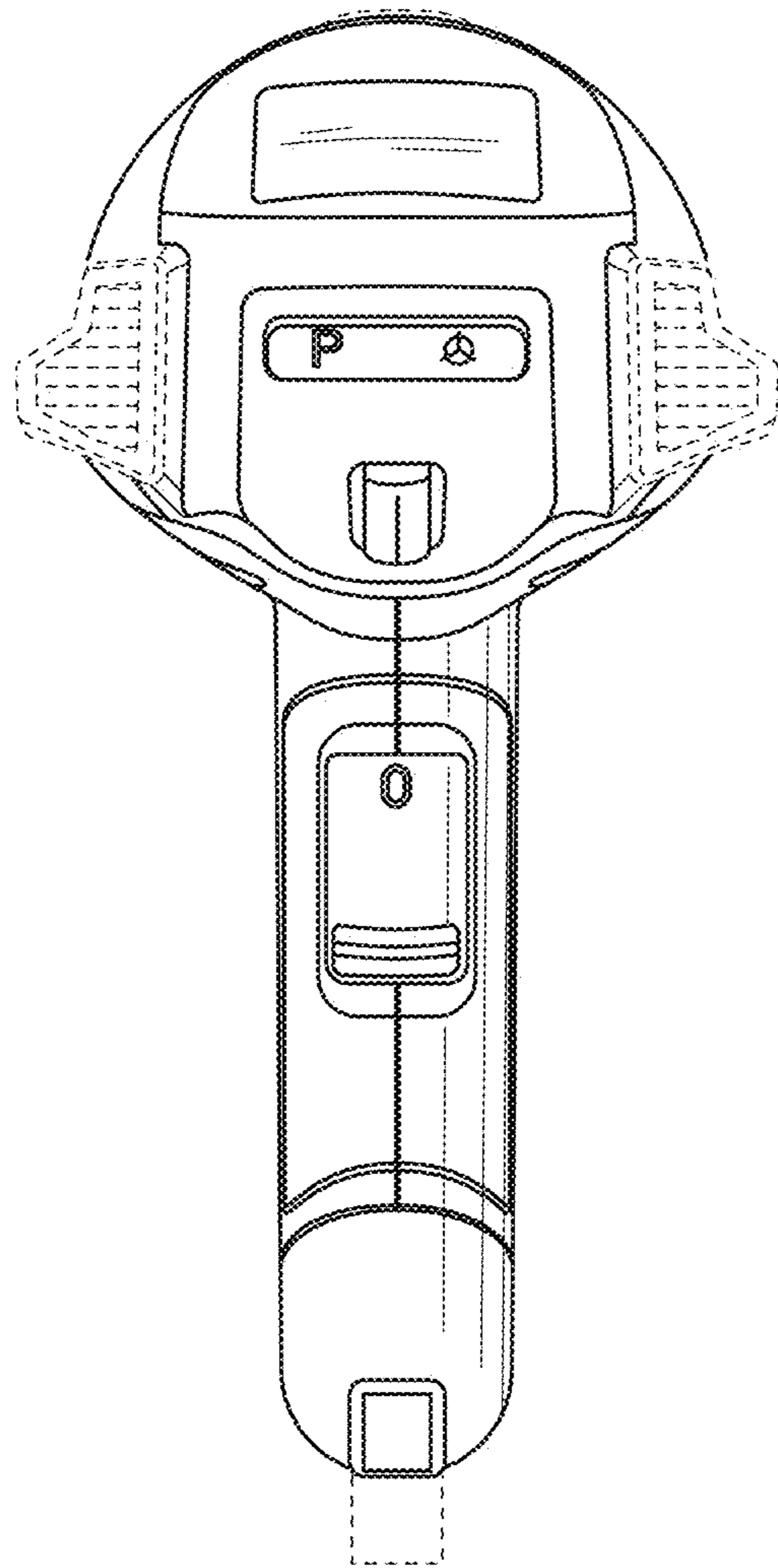


FIG. 3

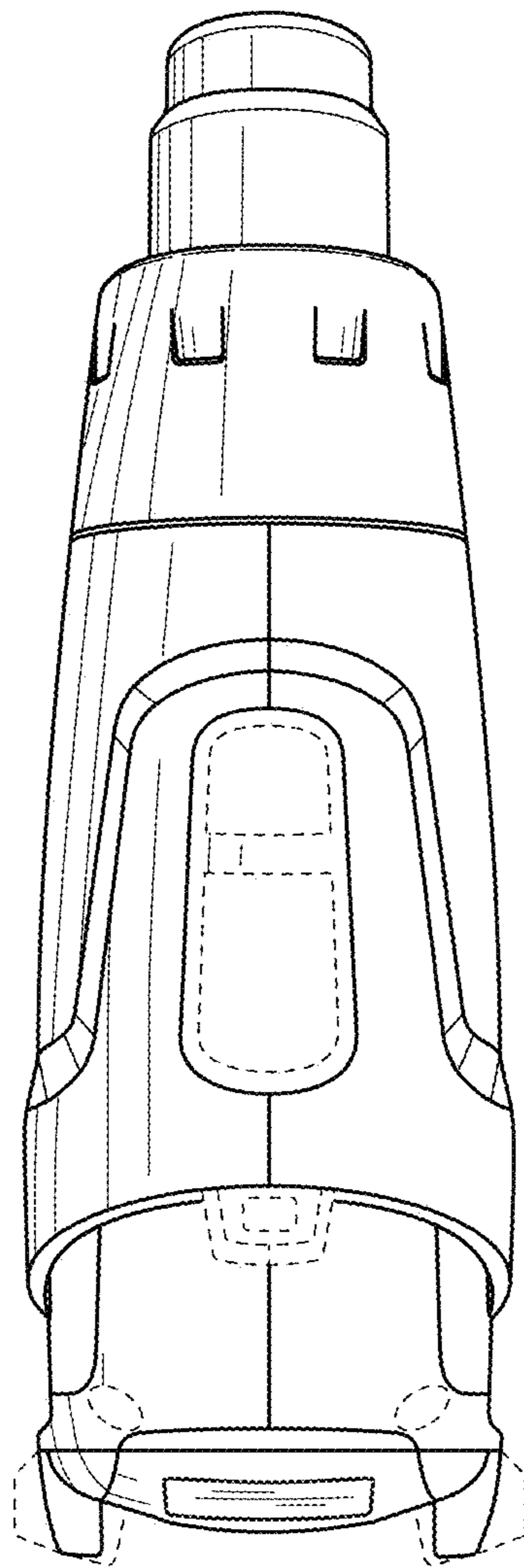


FIG. 4

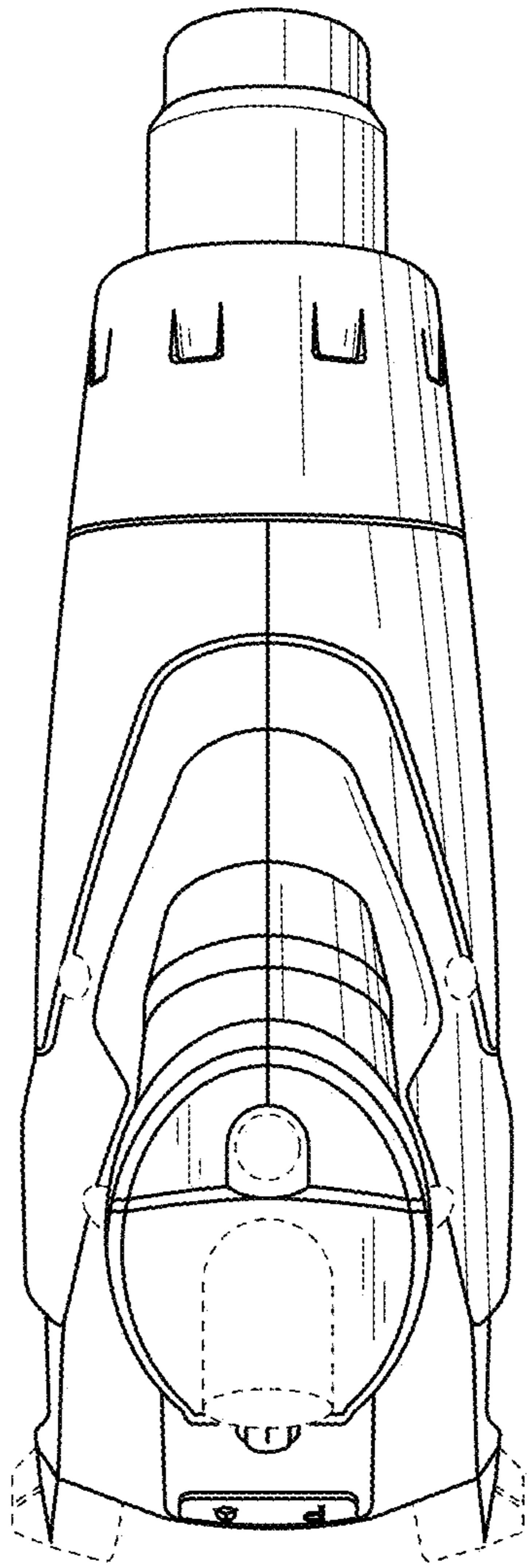


FIG. 5

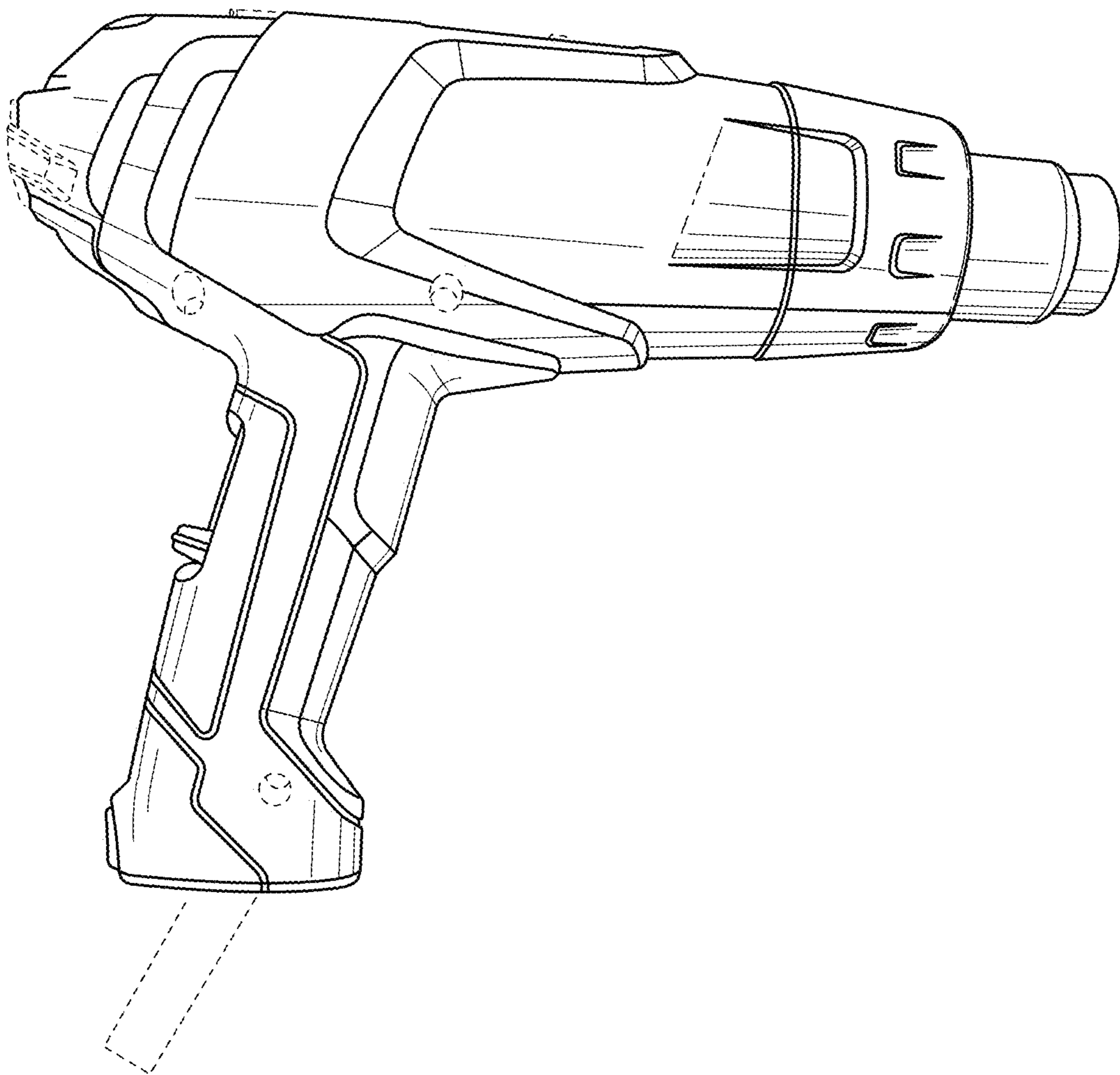


FIG. 6

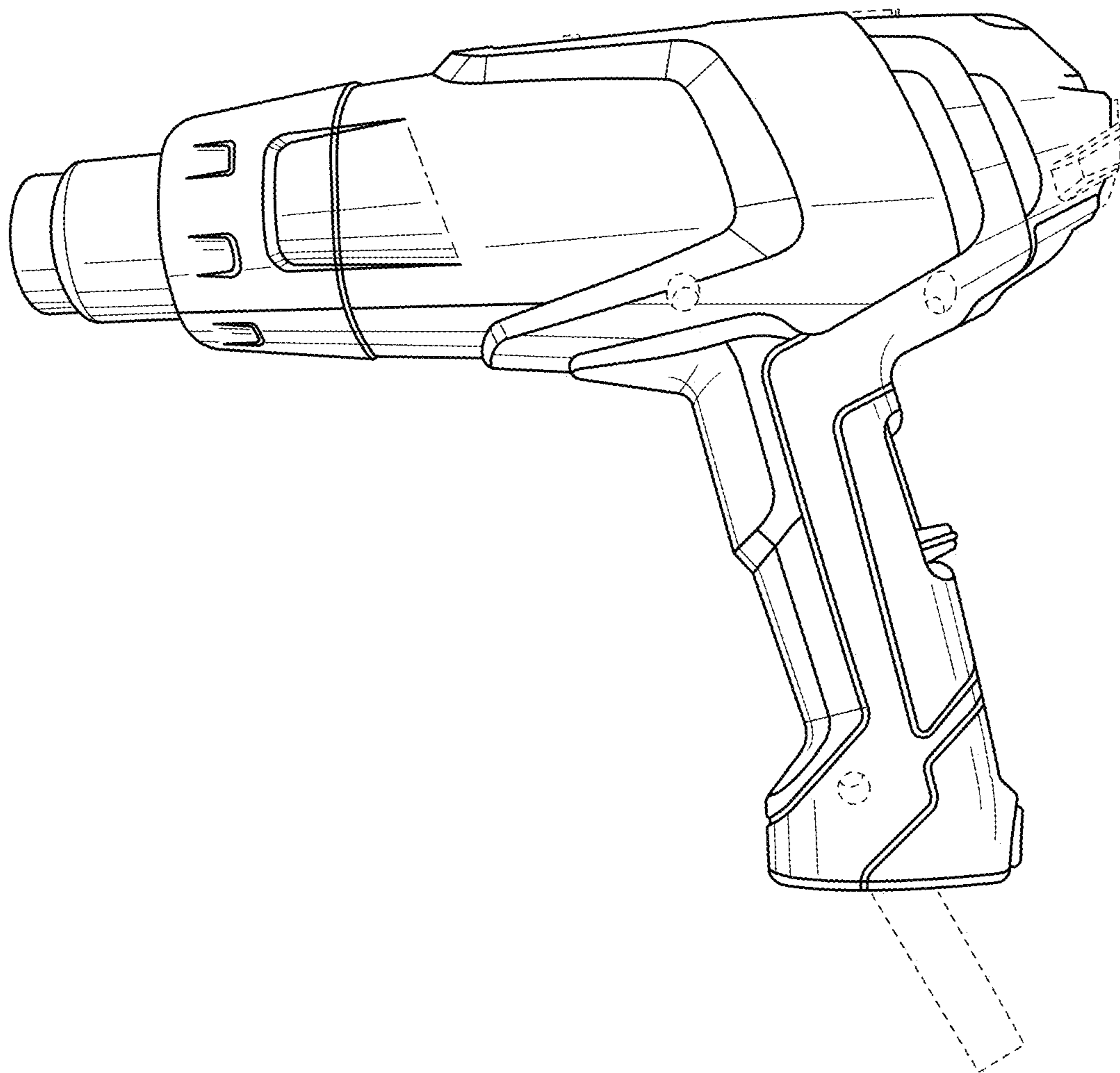


FIG. 7