



US00D919389S

(12) **United States Design Patent**
Chartier et al.

(10) **Patent No.:** **US D919,389 S**
(45) **Date of Patent:** **** May 18, 2021**

(54) **DECOUPLER TOOL**

DESCRIPTION

- (71) Applicant: **Ridge Tool Company**, Elyria, OH (US)
- (72) Inventors: **Glen R. Chartier**, Avon Lake, OH (US); **Scott Kruepke**, Valley City, OH (US); **Robert Skrjanc**, Lorain, OH (US)
- (73) Assignee: **Ridge Tool Company**, Elyria, OH (US)
- (**) Term: **15 Years**
- (21) Appl. No.: **29/712,179**
- (22) Filed: **Nov. 6, 2019**
- (51) **LOC (13) Cl.** **08-05**
- (52) **U.S. Cl.**
USPC **D8/14**
- (58) **Field of Classification Search**
USPC D8/14, 47, 51, 98, 105, 107; D24/133
(Continued)

(56) **References Cited**

U.S. PATENT DOCUMENTS

- D339,048 S * 9/1993 Baum D8/107
 - D377,444 S * 1/1997 Lin D8/107
- (Continued)

FOREIGN PATENT DOCUMENTS

EP 1214757 10/2005

OTHER PUBLICATIONS

International Search Report and Written Opinion; PCT/US18/64162; dated Dec. 12, 2019; 12 pages.

Primary Examiner — Philip S Hyder

(74) *Attorney, Agent, or Firm* — Mark E. Bandy; Rankin Hill and Clark, LLP

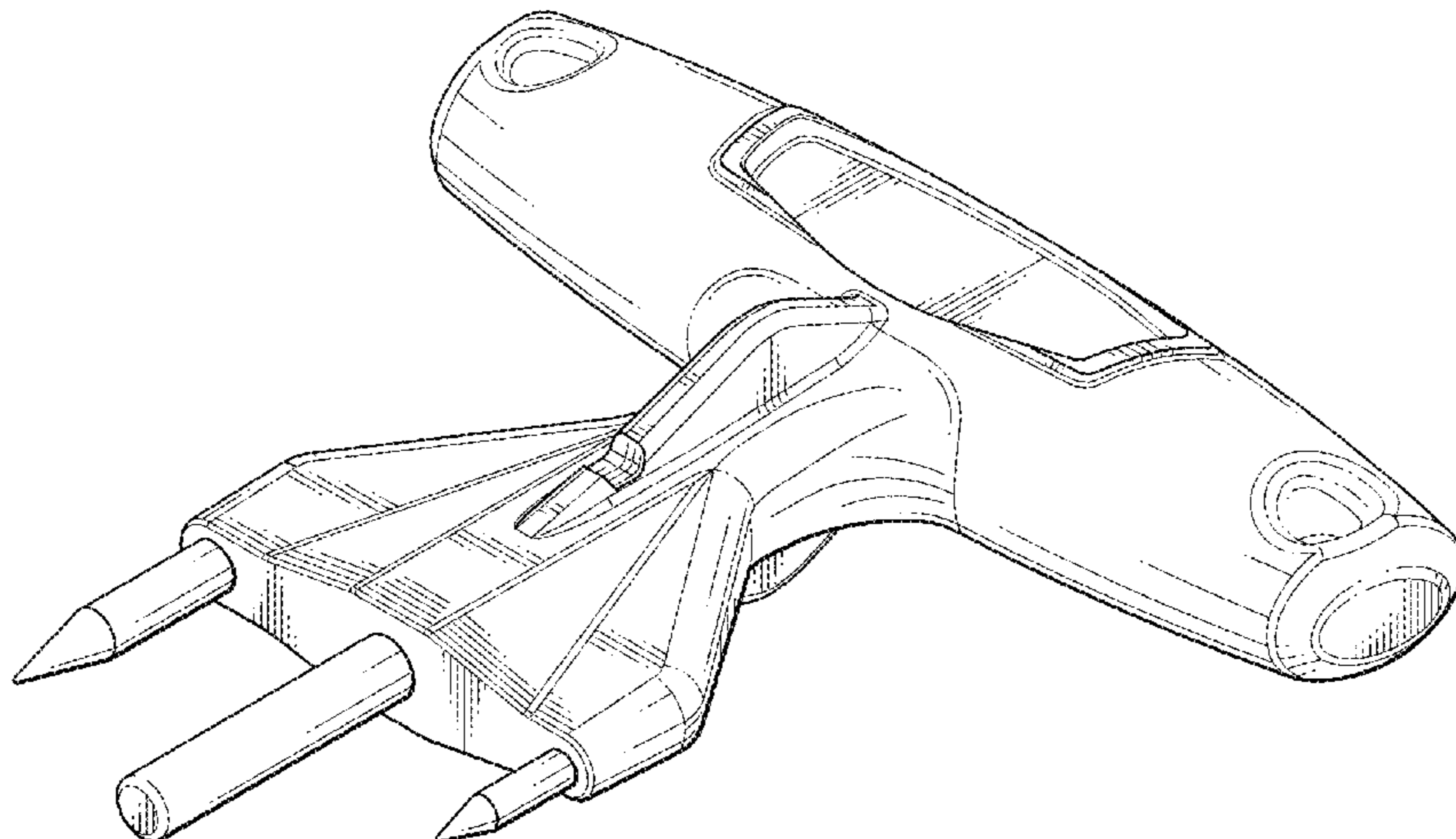
(57) **CLAIM**

The ornamental design for a decoupler tool, as shown and described.

FIG. 1 is a top side perspective view of an embodiment of a decoupler tool.
 FIG. 2 is a top view of the decoupler tool of FIG. 1.
 FIG. 3 is a bottom view of the decoupler tool of FIG. 1.
 FIG. 4 is a first side view of the decoupler tool of FIG. 1.
 FIG. 5 is a second side view of the decoupler tool of FIG. 1.
 FIG. 6 is a first end view of the decoupler tool of FIG. 1.
 FIG. 7 is a second end view of the decoupler tool of FIG. 1.
 FIG. 8 is a top side perspective view of another embodiment of a decoupler tool.
 FIG. 9 is a top view of the decoupler tool of FIG. 8.
 FIG. 10 is a bottom view of the decoupler tool of FIG. 8.
 FIG. 11 is a first side view of the decoupler tool of FIG. 8.
 FIG. 12 is a second side view of the decoupler tool of FIG. 8.
 FIG. 13 is a first end view of the decoupler tool of FIG. 8.
 FIG. 14 is a second end view of the decoupler tool of FIG. 8.
 FIG. 15 is a top side perspective view of an embodiment of a decoupler tool.
 FIG. 16 is a top view of the decoupler tool of FIG. 15.
 FIG. 17 is a bottom view of the decoupler tool of FIG. 15.
 FIG. 18 is a first side view of the decoupler tool of FIG. 15.
 FIG. 19 is a second side view of the decoupler tool of FIG. 15.
 FIG. 20 is a first end view of the decoupler tool of FIG. 15.
 FIG. 21 is a second end view of the decoupler tool of FIG. 15.
 FIG. 22 is a top side perspective view of another embodiment of a decoupler tool.
 FIG. 23 is a top view of the decoupler tool of FIG. 22.
 FIG. 24 is a bottom view of the decoupler tool of FIG. 22.
 FIG. 25 is a first side view of the decoupler tool of FIG. 22.
 FIG. 26 is a second side view of the decoupler tool of FIG. 22.
 FIG. 27 is a first end view of the decoupler tool of FIG. 22; and,
 FIG. 28 is a second end view of the decoupler tool of FIG. 22.

The broken lines are directed to environment and are for illustrative purposes only; the broken lines form no part of the claimed design.

1 Claim, 28 Drawing Sheets



(58) **Field of Classification Search**

CPC B25B 27/14; B25B 27/00; B25B 27/02;
B25B 27/04; E03F 9/005

See application file for complete search history.

(56) **References Cited**

U.S. PATENT DOCUMENTS

D448,633	S	*	10/2001	Langlois	D8/107
D530,588	S	*	10/2006	Wang	D8/107
D649,423	S	*	11/2011	Robinson	D8/83
D708,502	S	*	7/2014	Lin	B25G 1/102 D8/107
2010/0132143	A1		6/2010	Flamand		
2015/0105163	A1		4/2015	Rutkowski et al.		
2016/0245441	A1		8/2016	Klein et al.		
2017/0197303	A1		7/2017	Szymusiak et al.		
2019/0186119	A1*		6/2019	Skrjanc	E03F 9/005

* cited by examiner

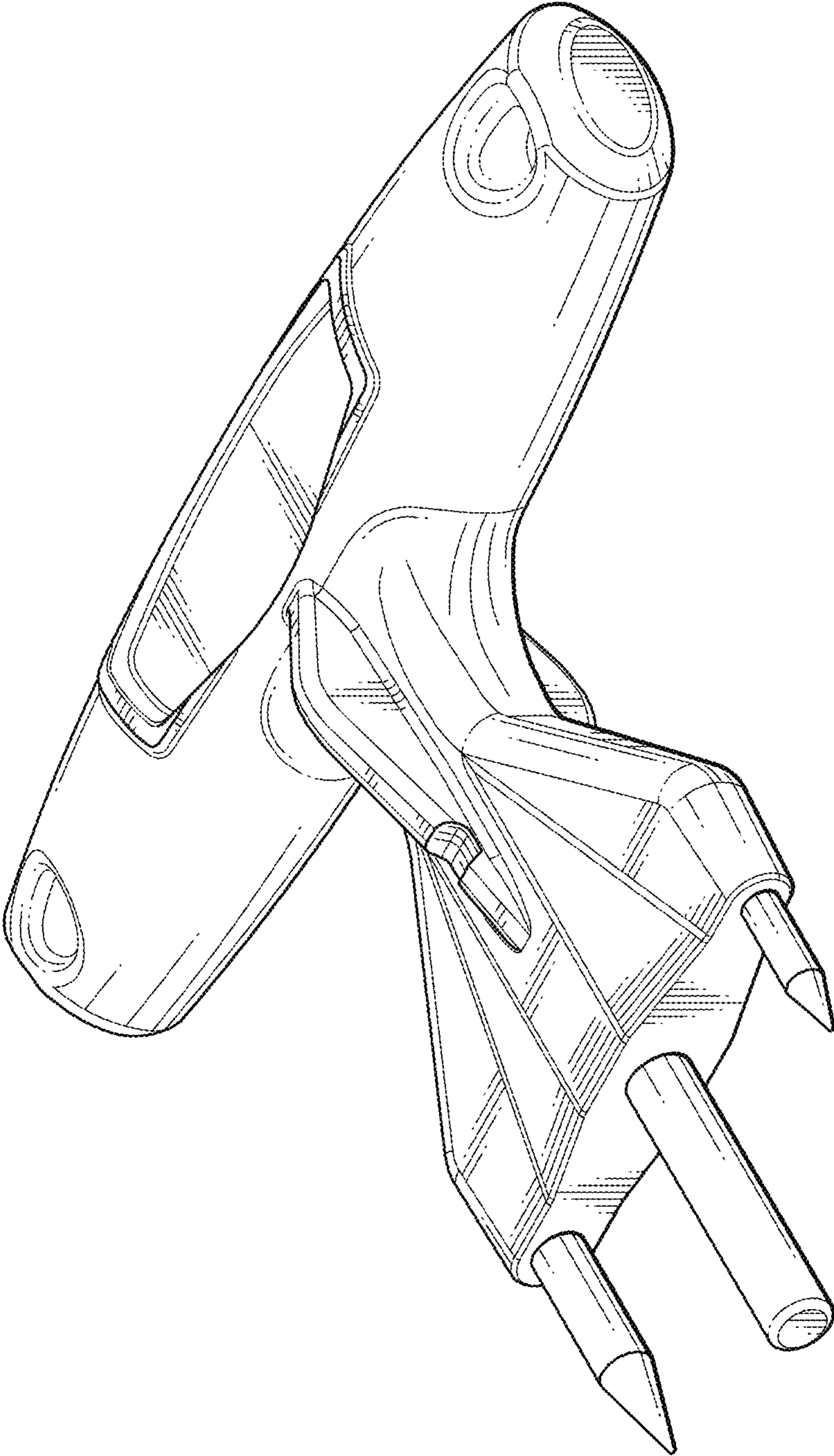


FIG. 1

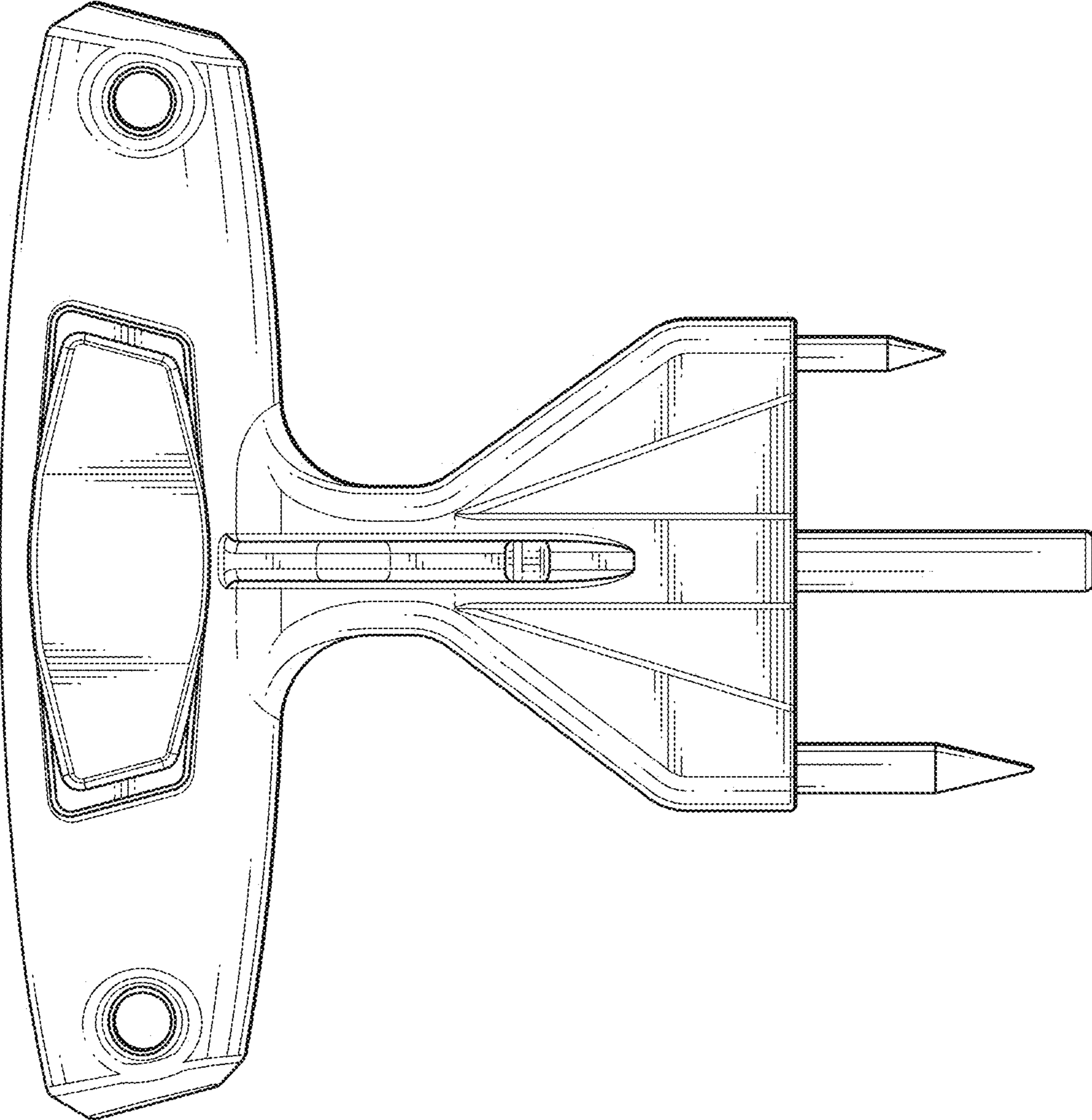


FIG. 2

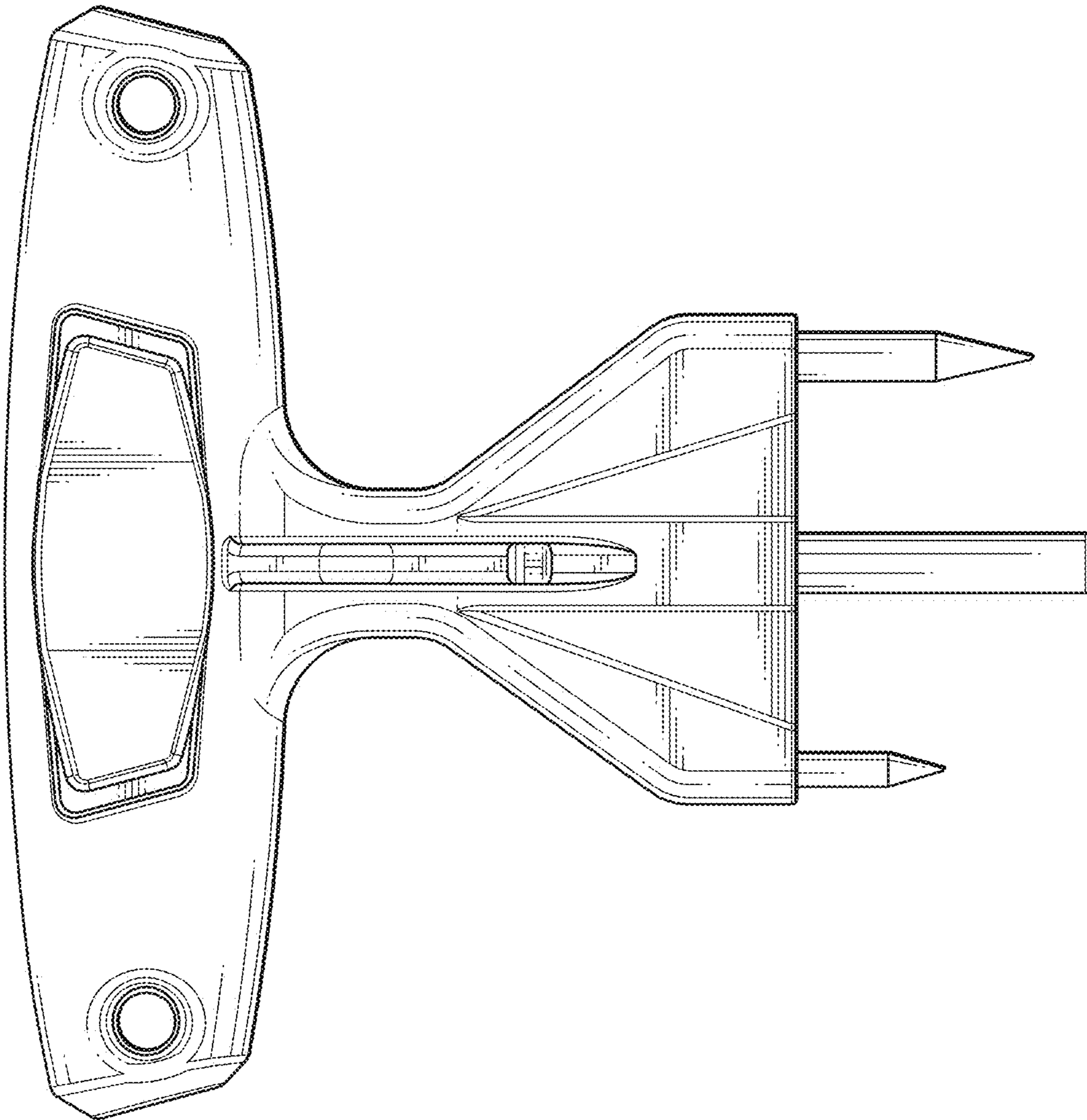


FIG. 3

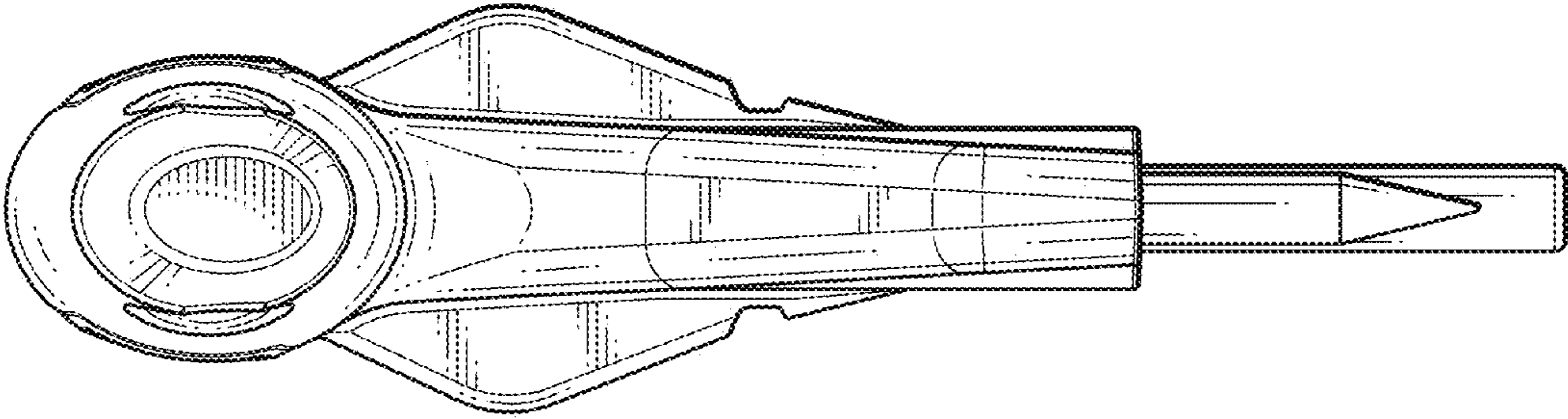


FIG. 4

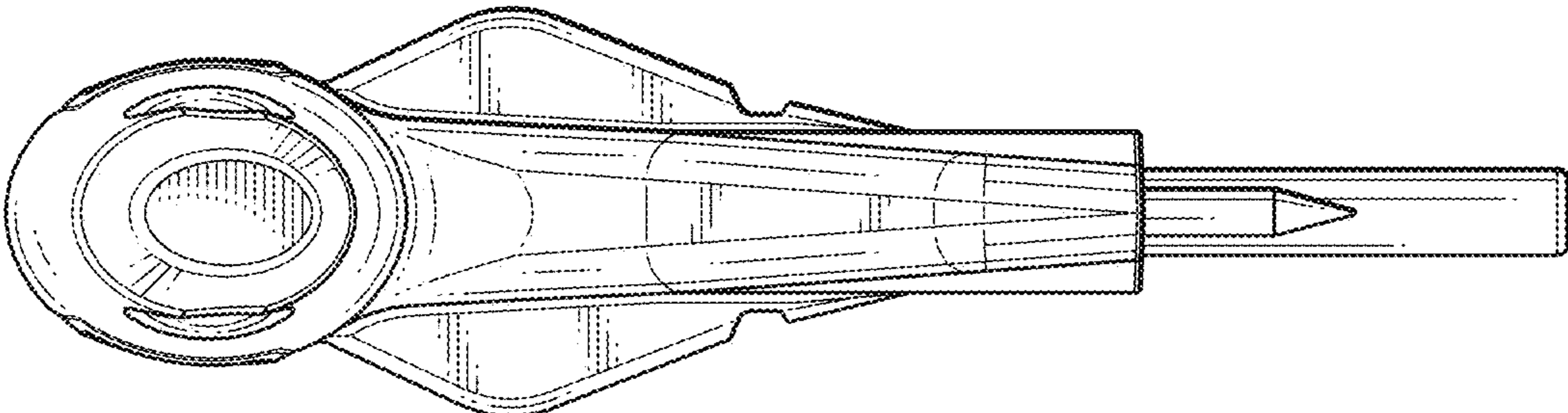


FIG. 5

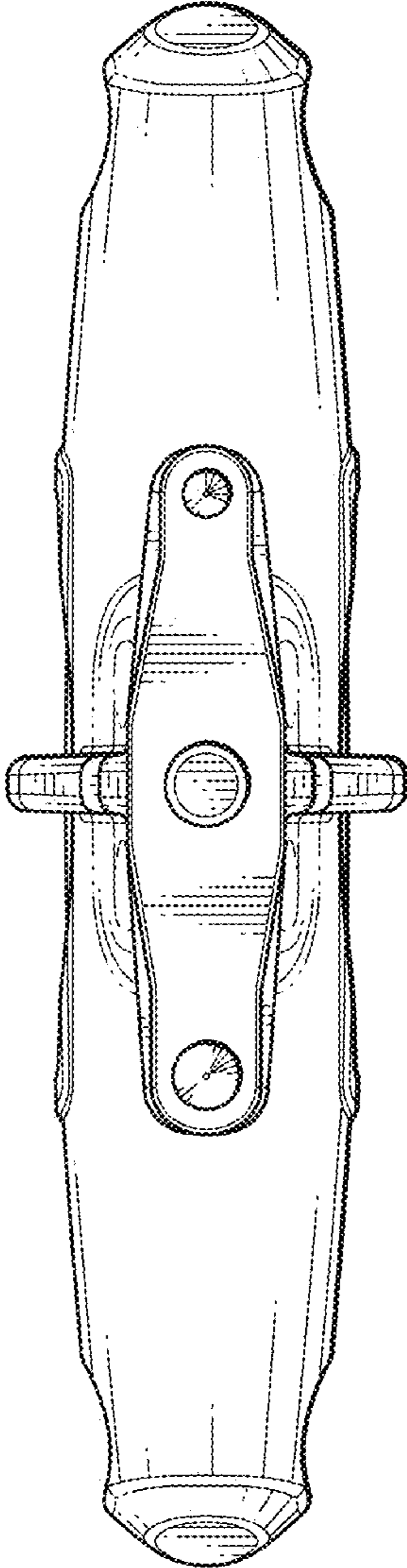


FIG. 6

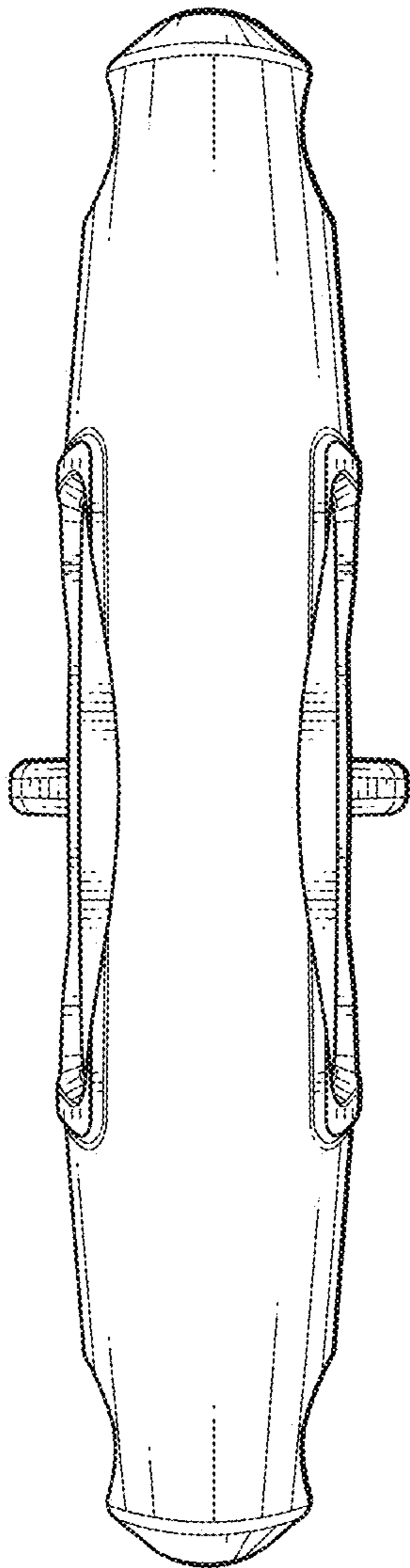


FIG. 7

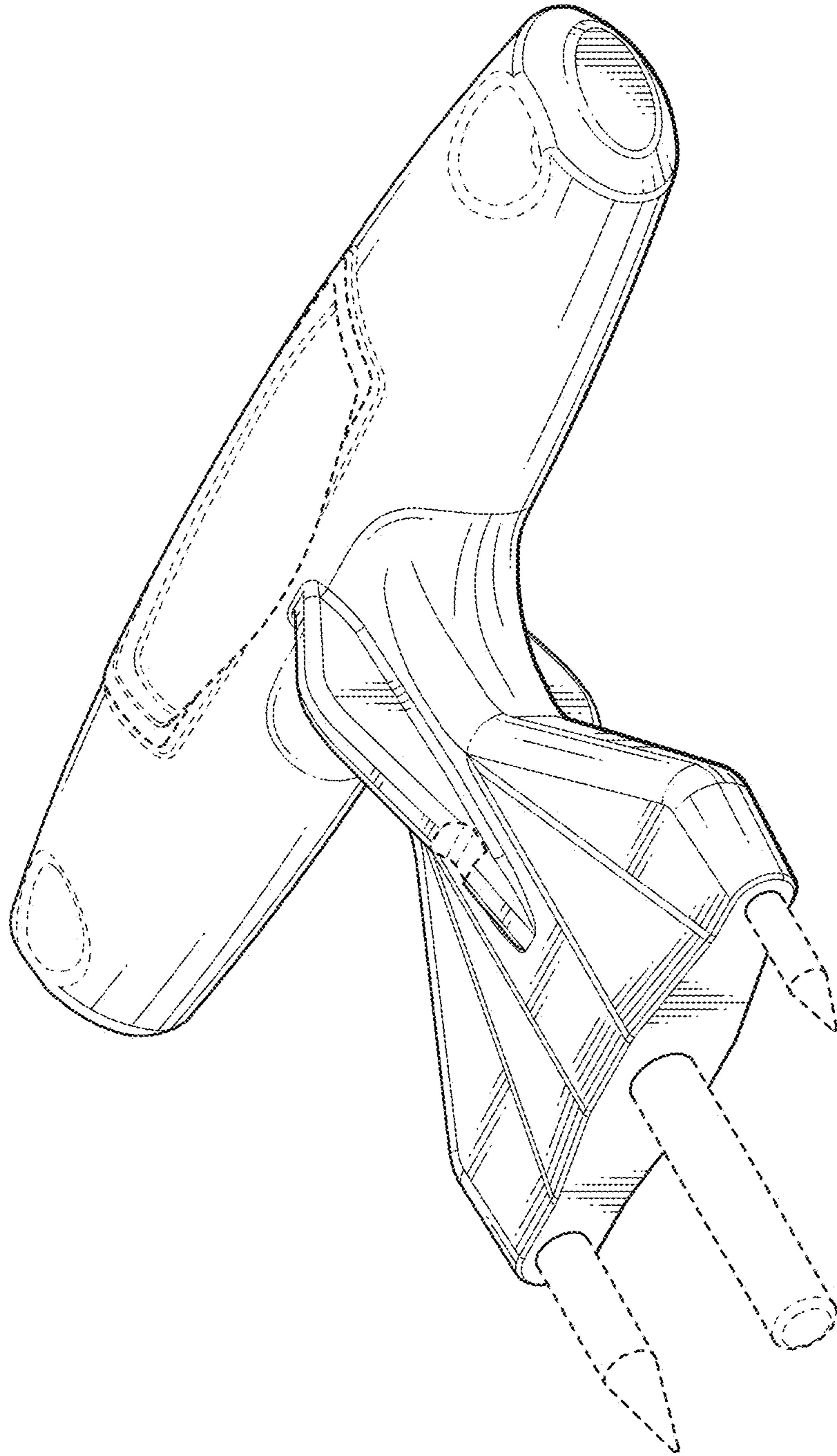


FIG. 8

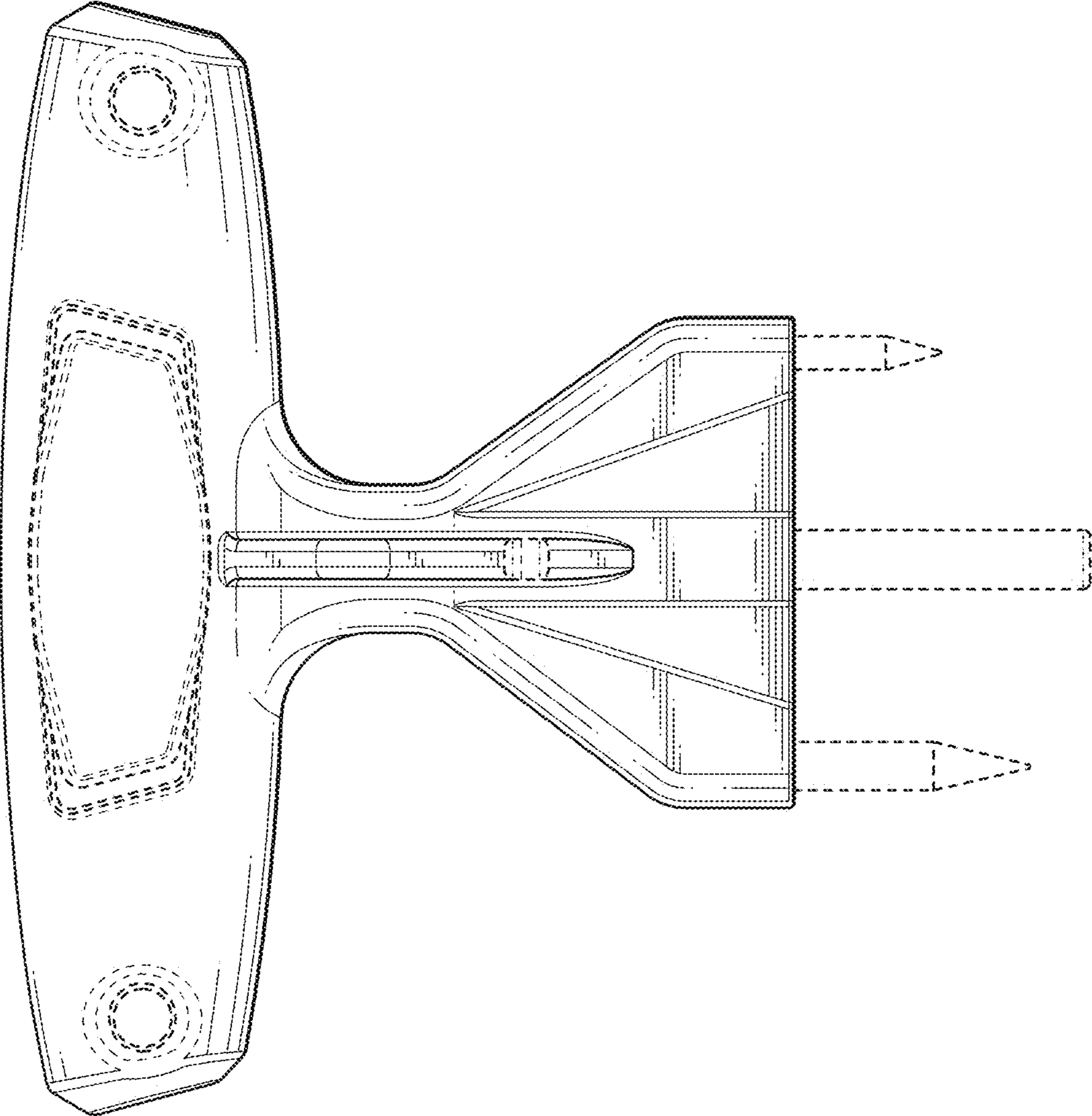


FIG. 9

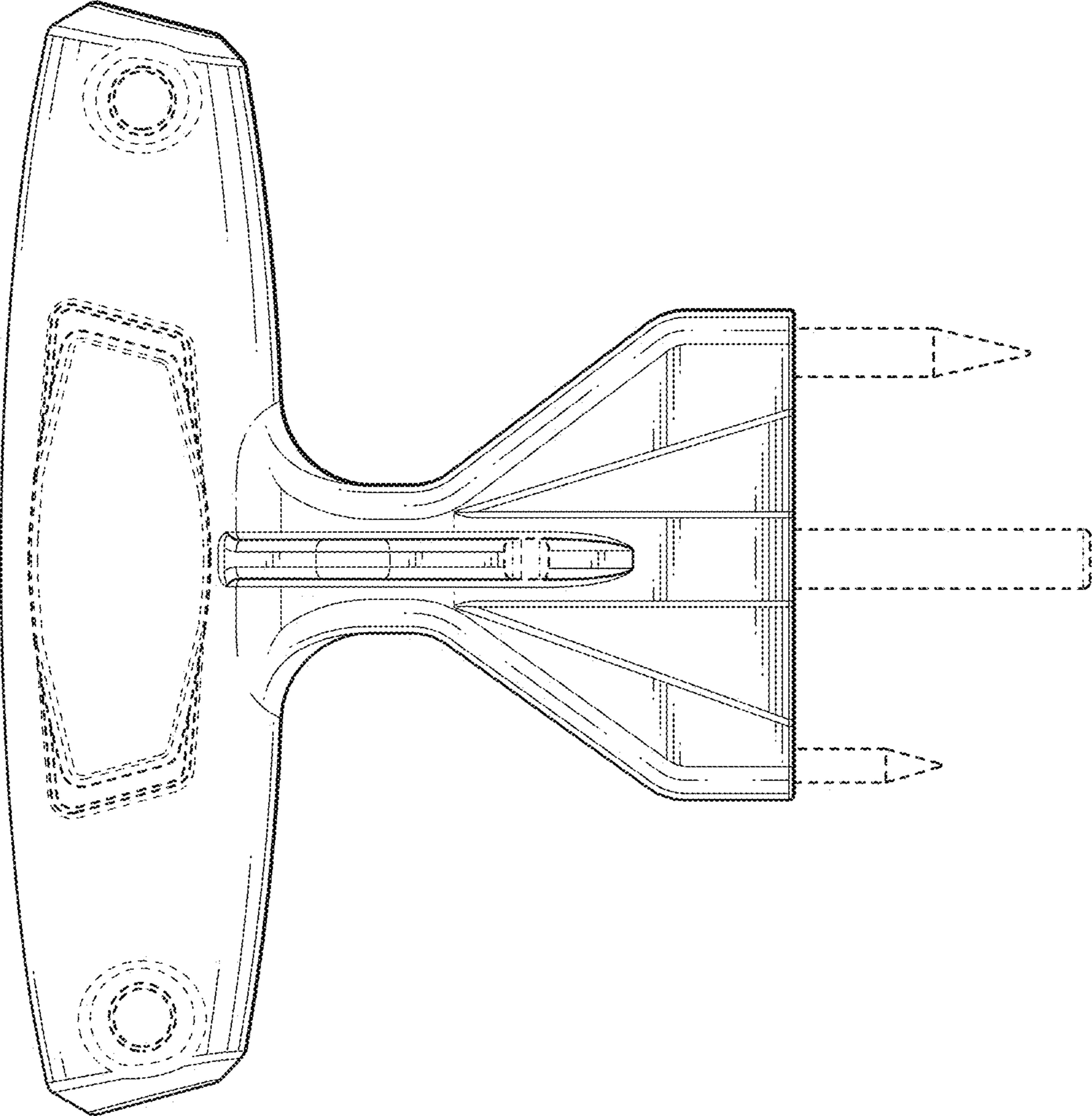


FIG. 10

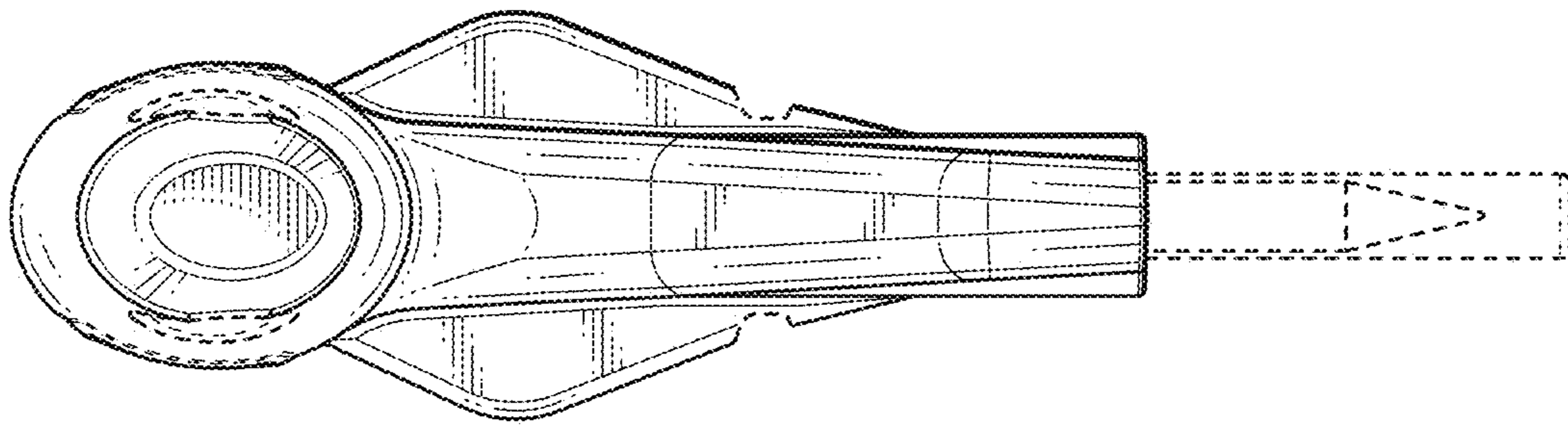


FIG. 11

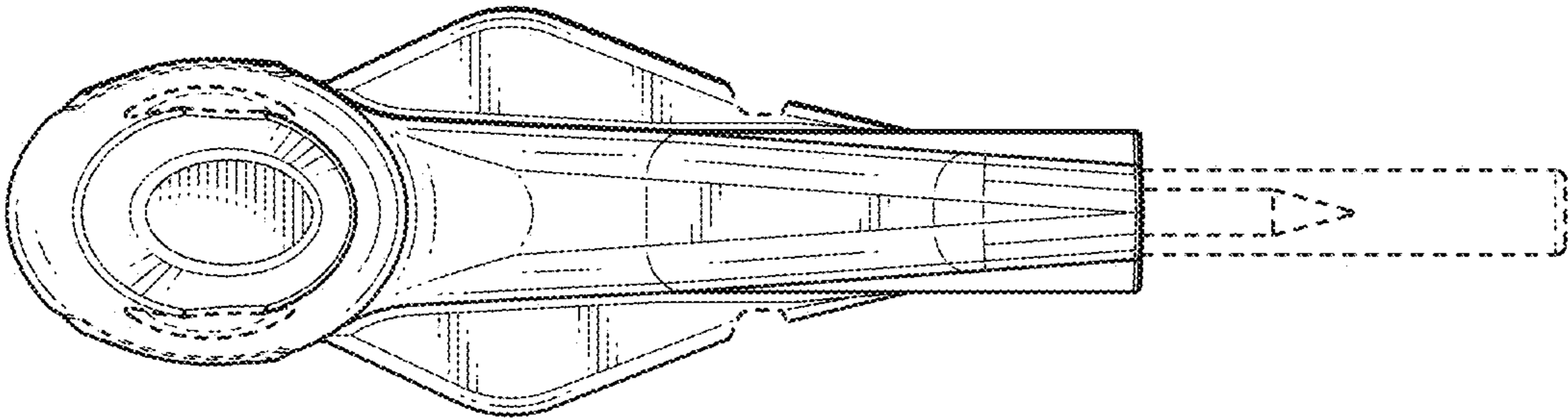


FIG. 12

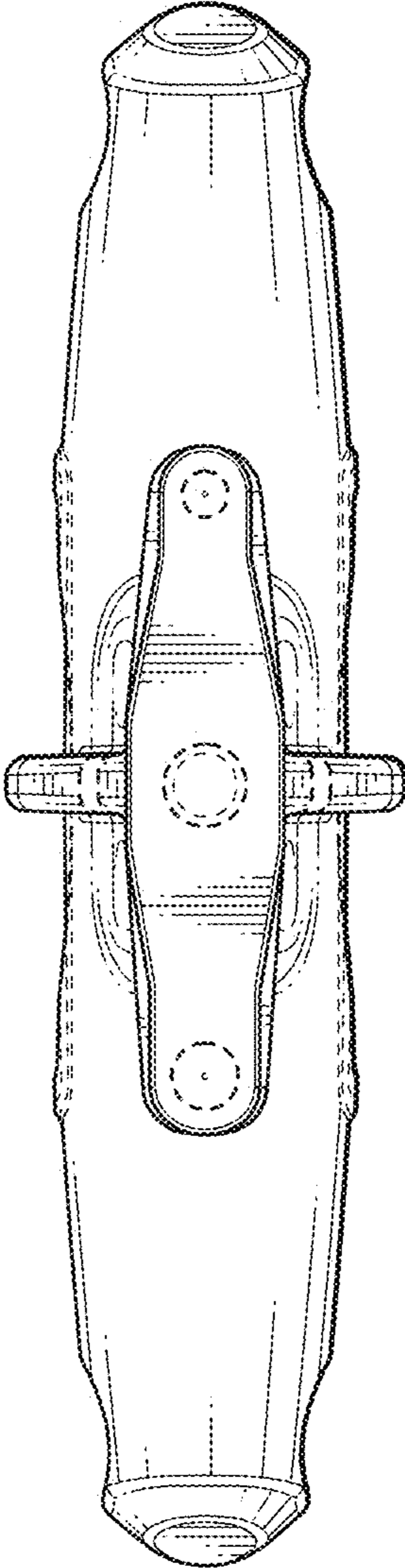


FIG. 13

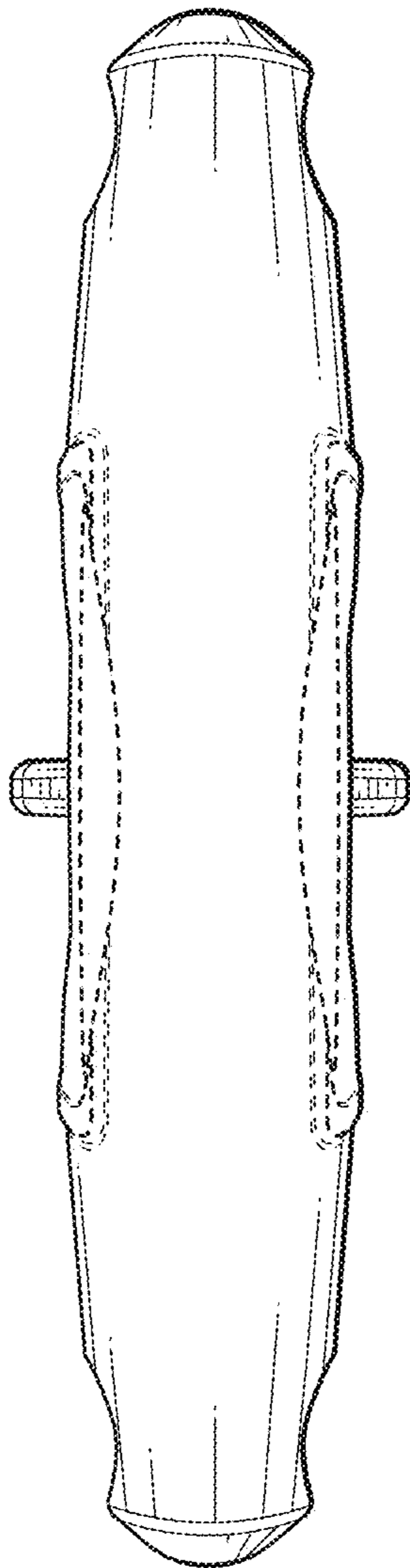


FIG. 14

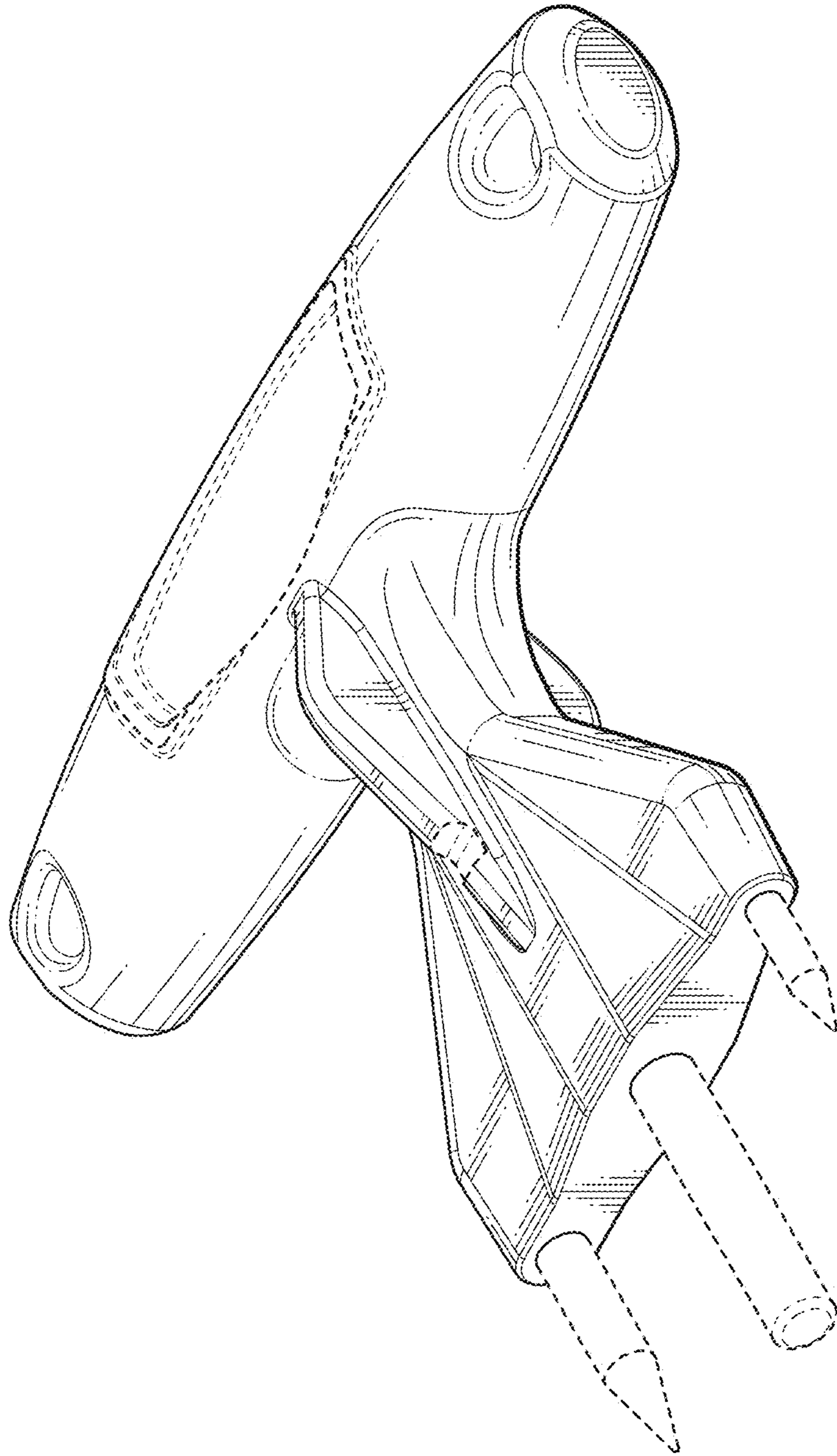


FIG. 15

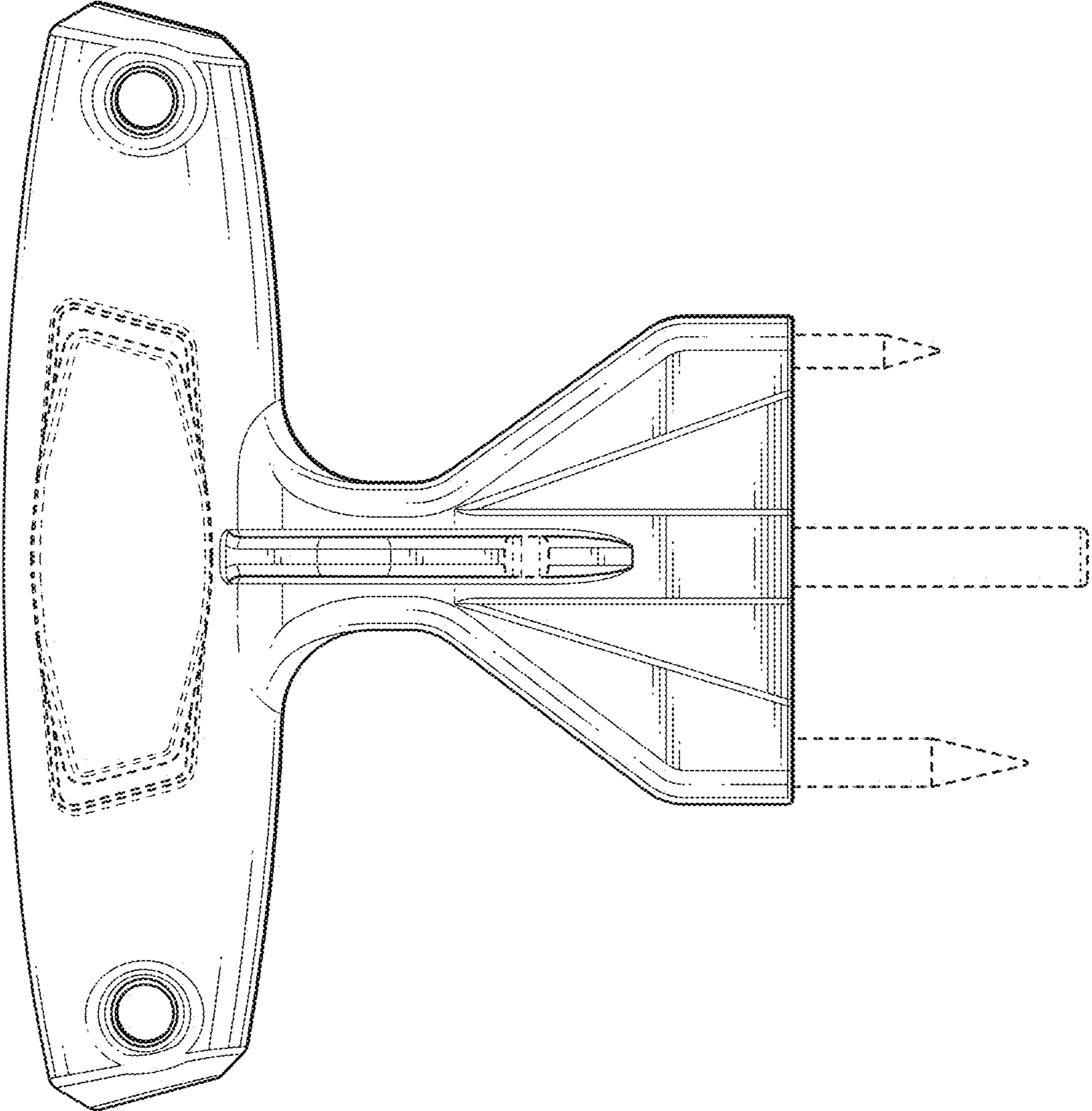


FIG. 16

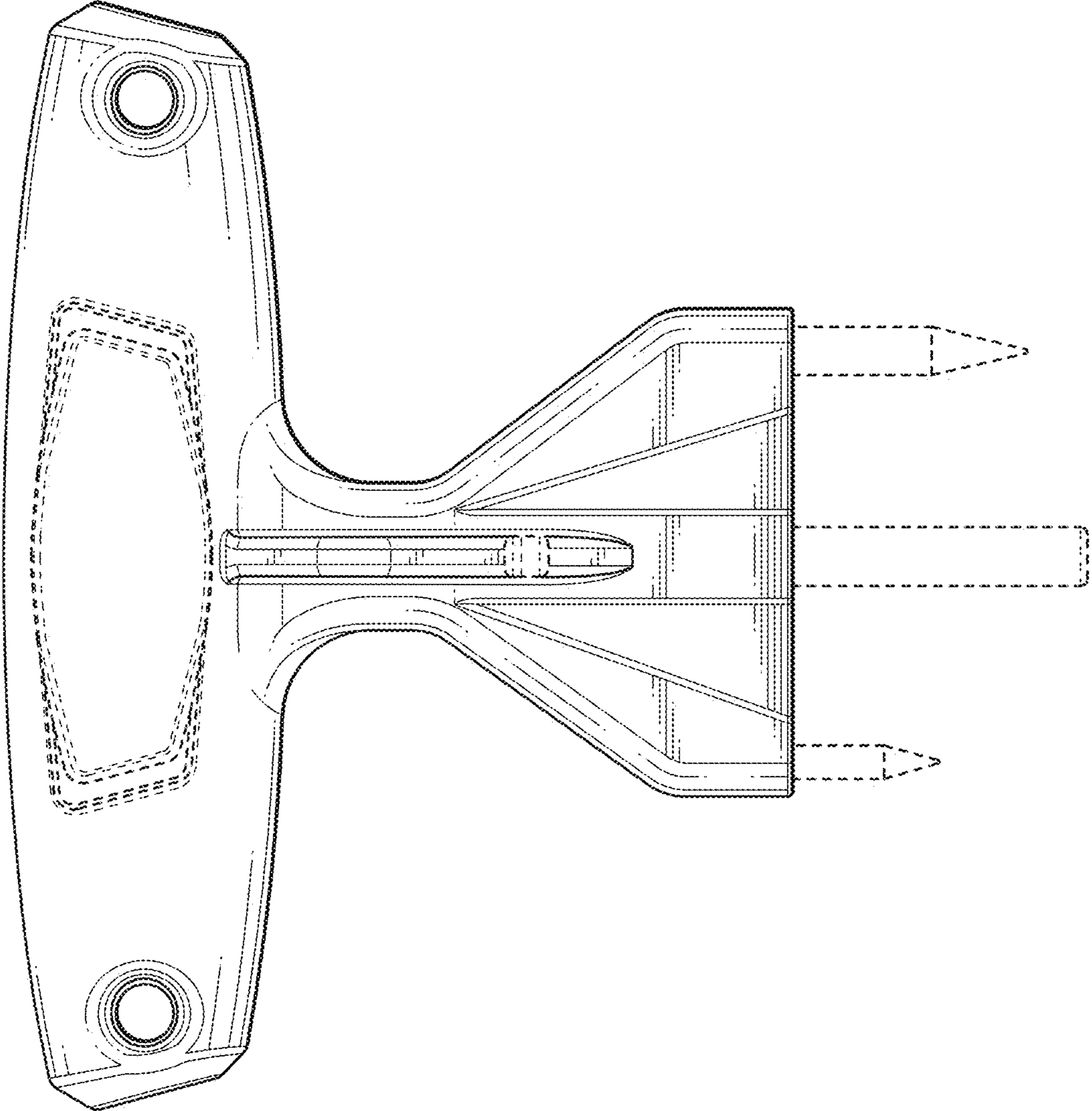


FIG. 17

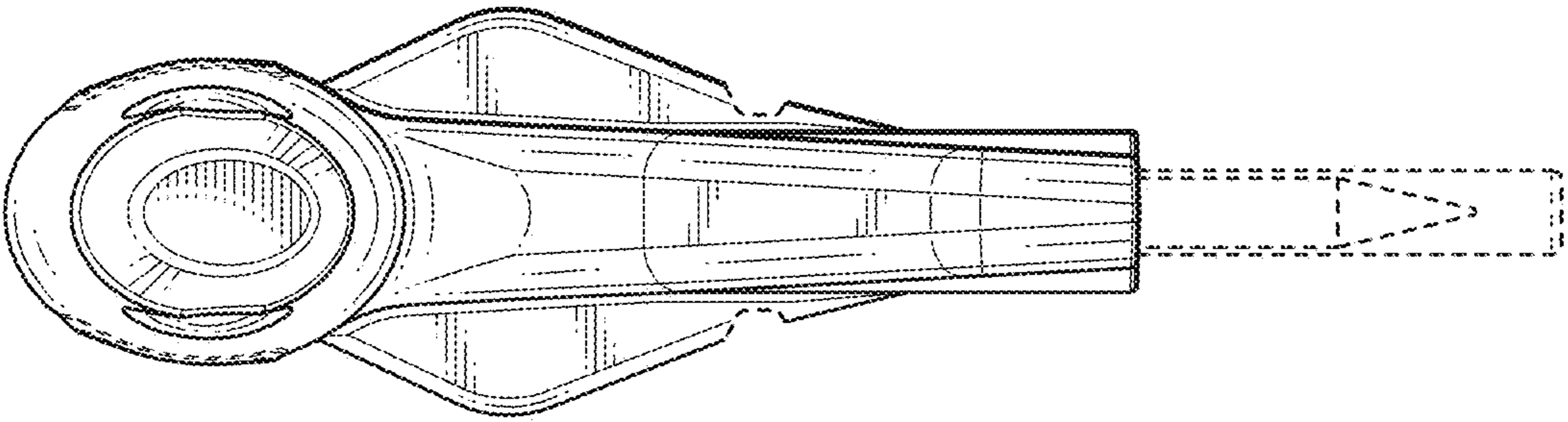


FIG. 18

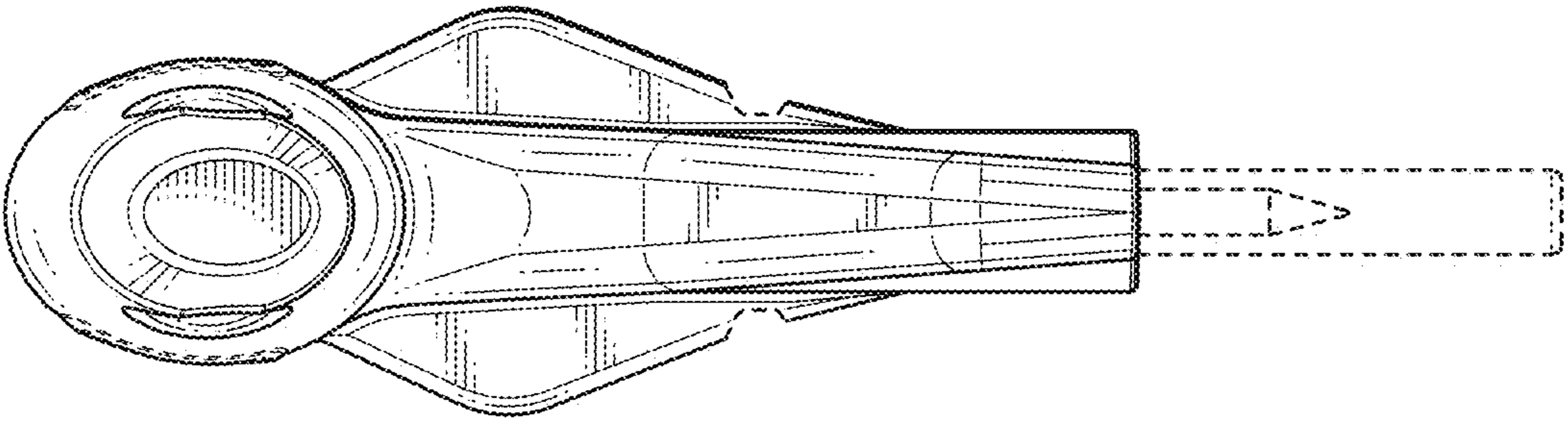


FIG. 19

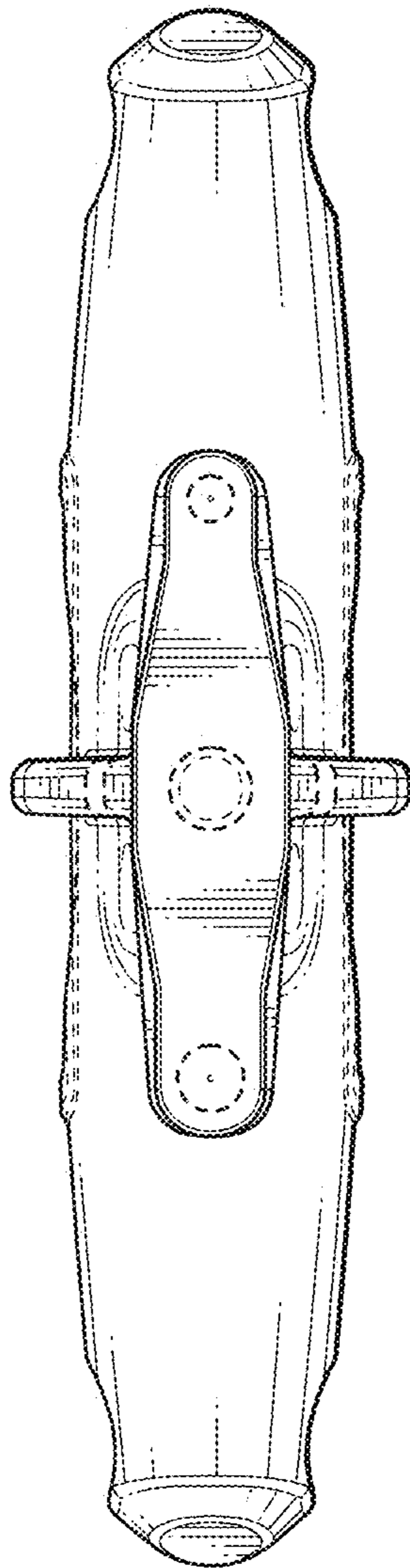


FIG. 20

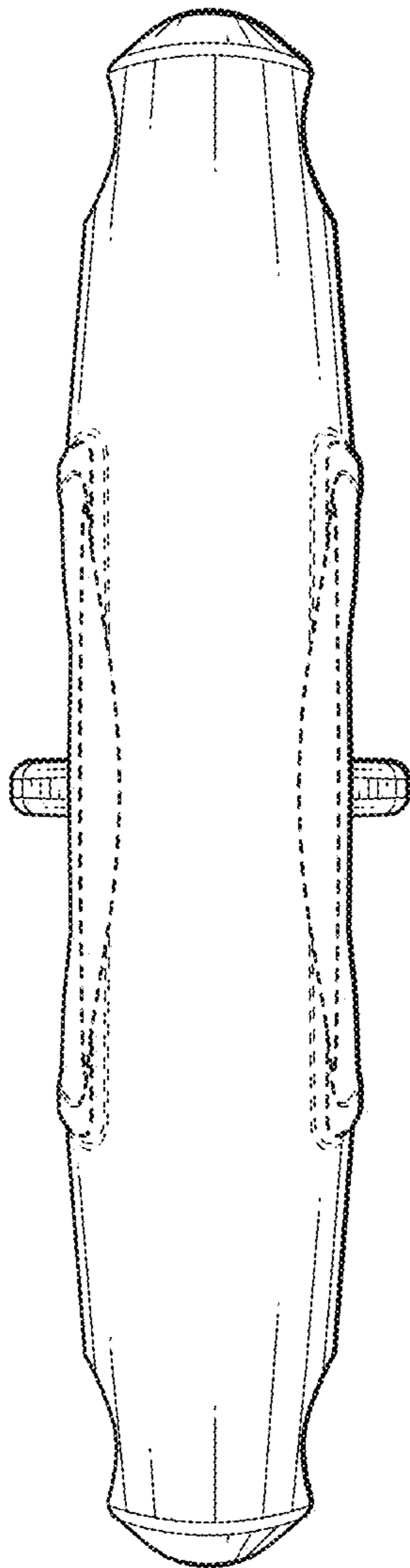


FIG. 21

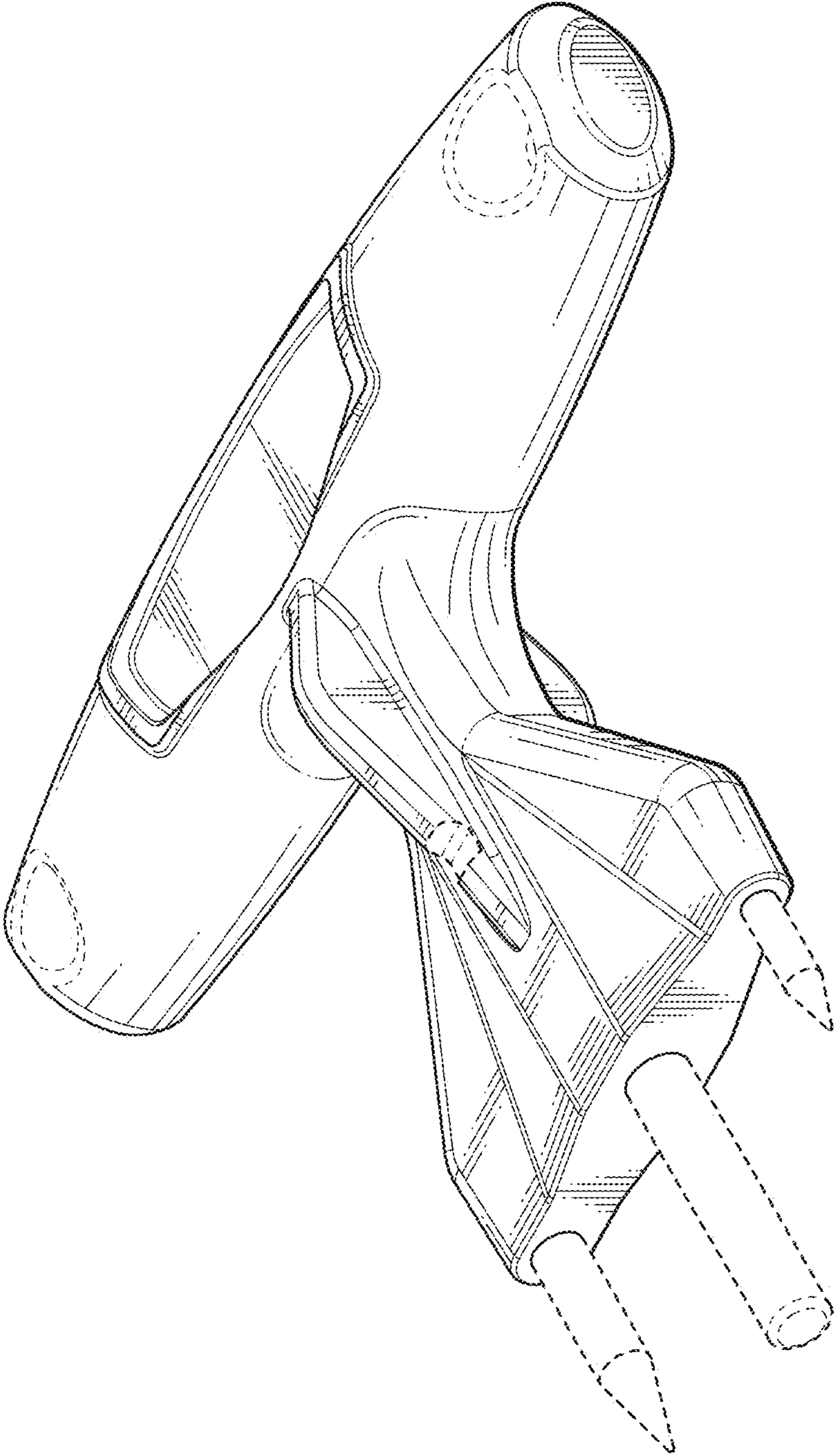


FIG. 22

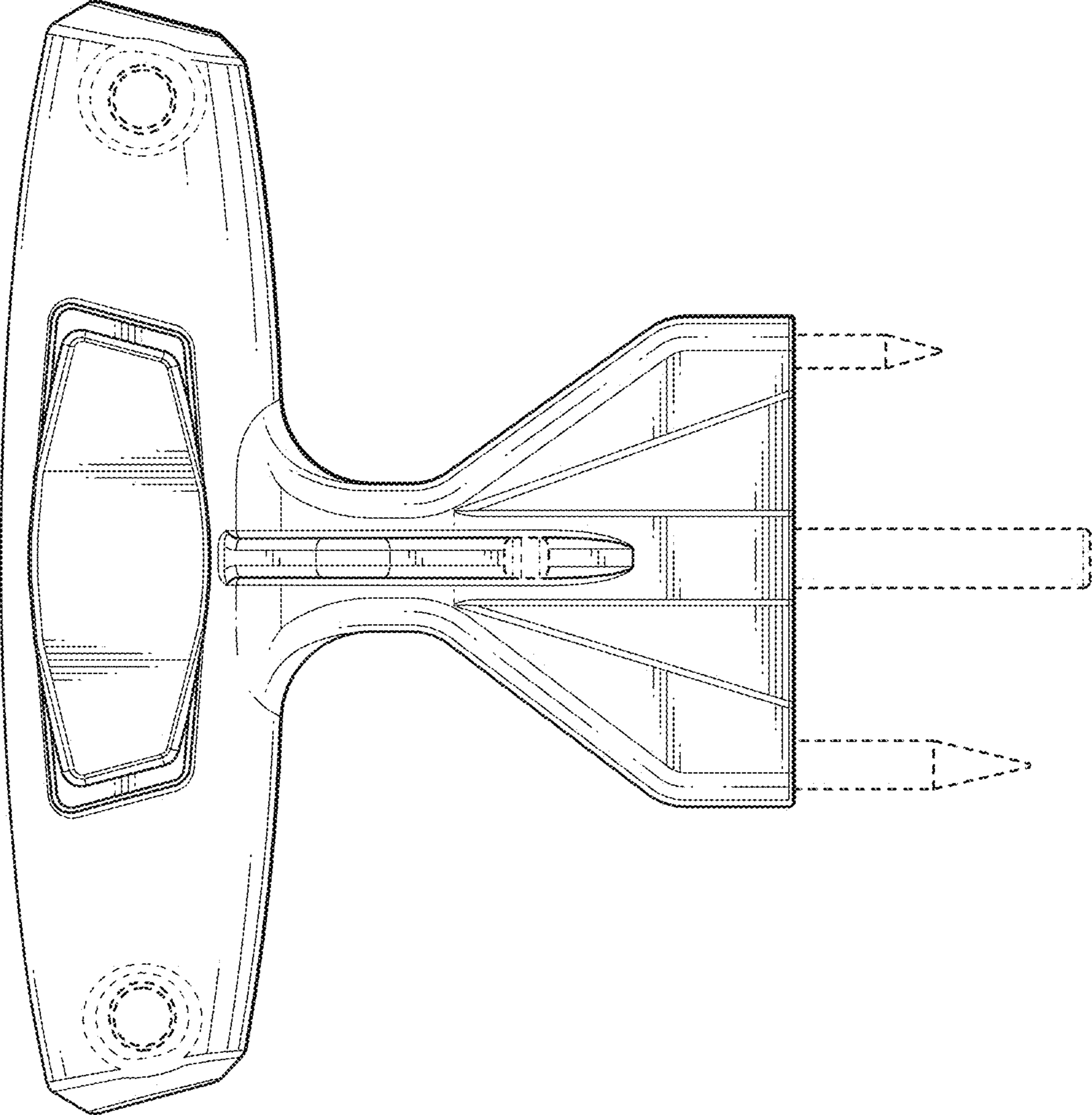


FIG. 23

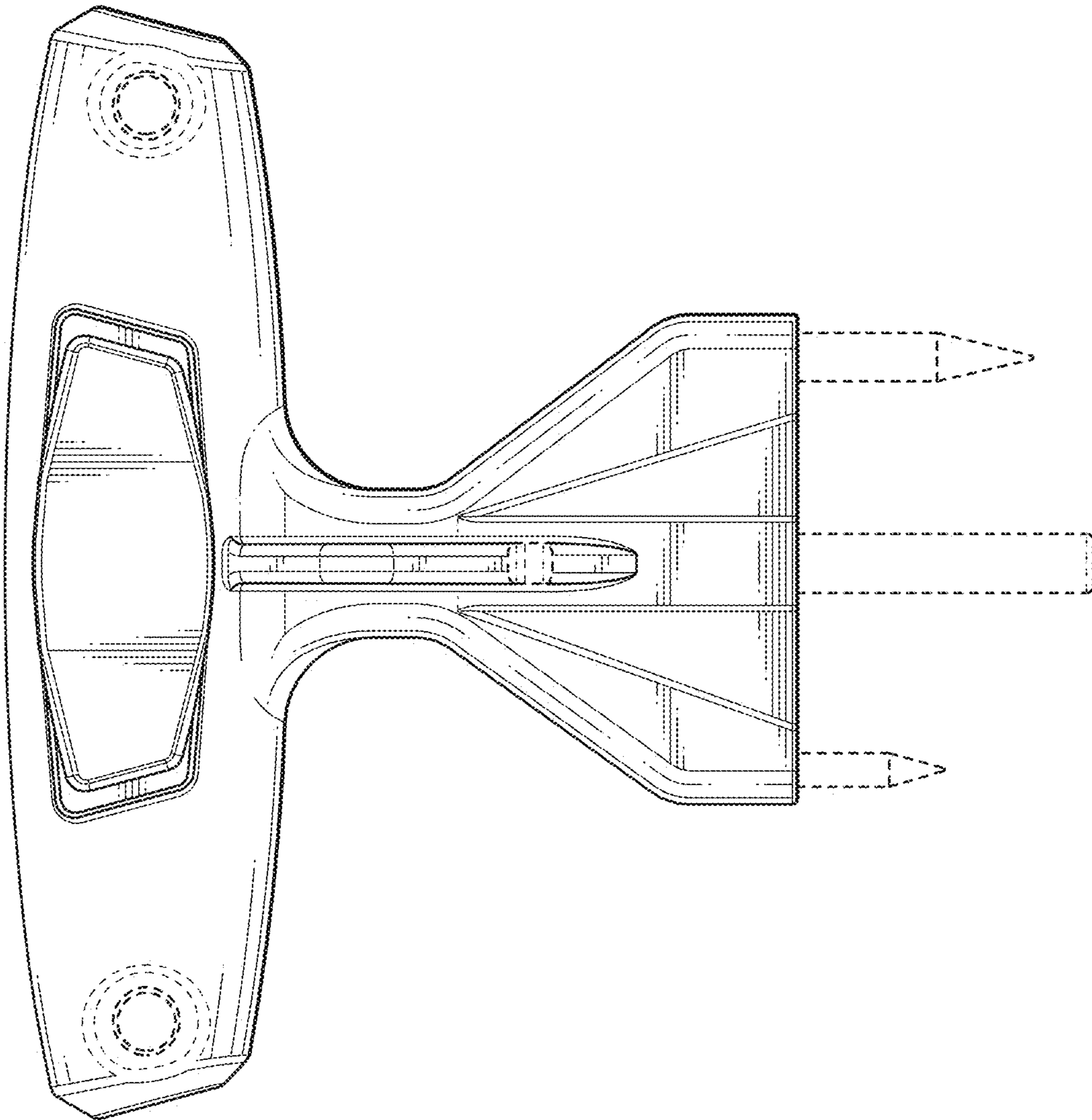


FIG. 24

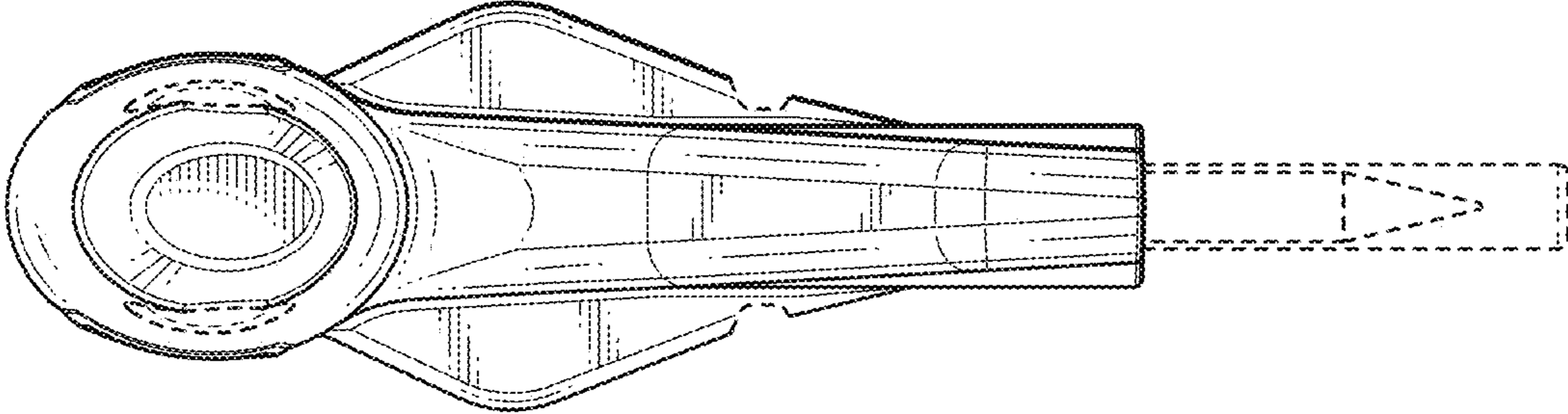


FIG. 25

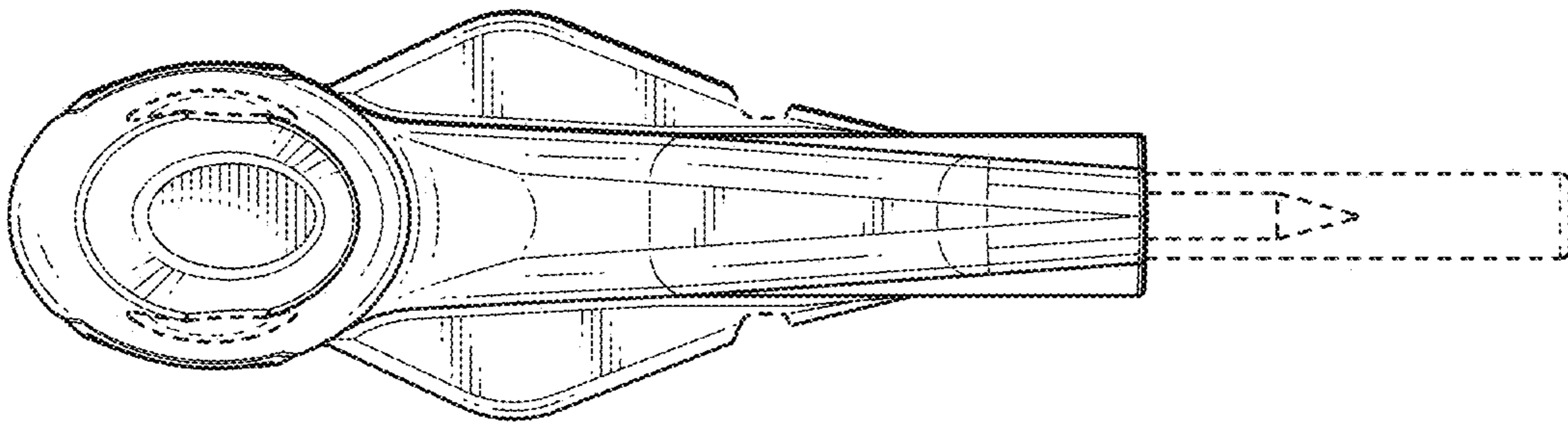


FIG. 26

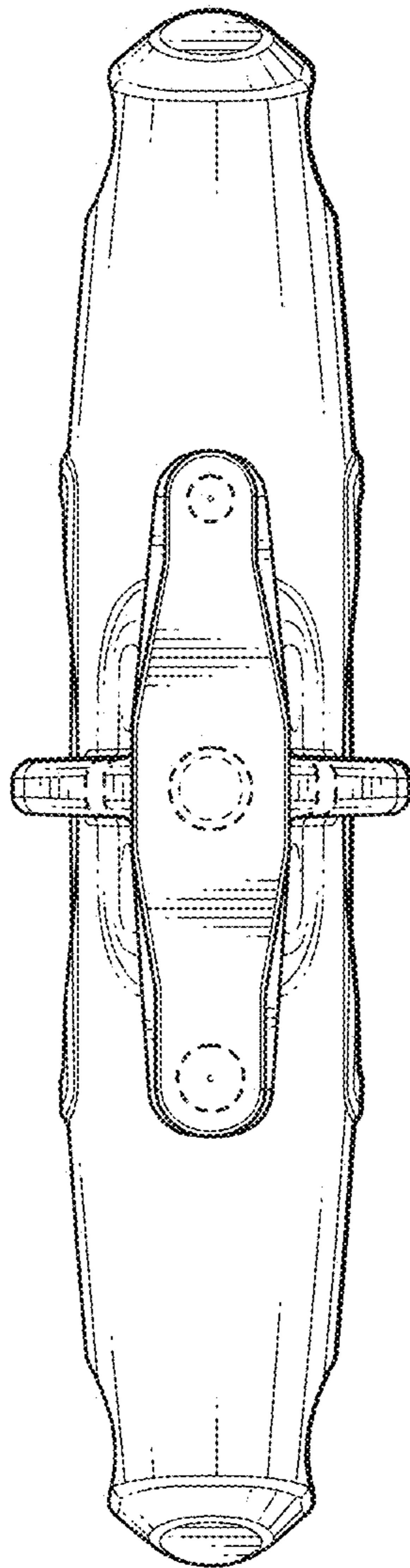


FIG. 27

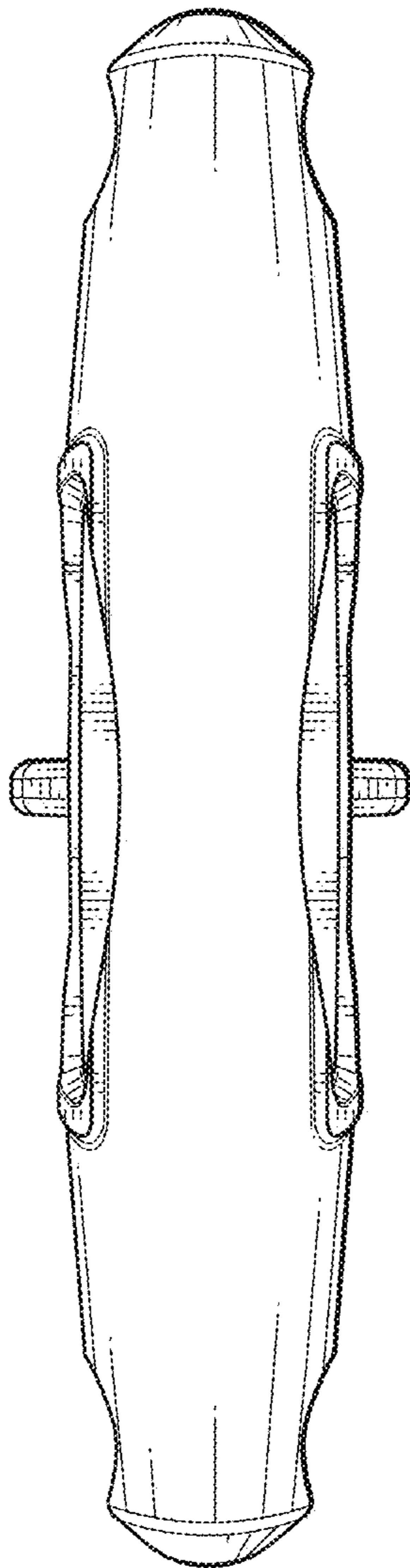


FIG. 28