



US00D919388S

(12) **United States Design Patent** (10) **Patent No.:** **US D919,388 S**
Hall (45) **Date of Patent:** **** May 18, 2021**

- (54) **RIVET REMOVAL TOOL**
- (71) Applicant: **Jamey A Hall**, Simi Valley, CA (US)
- (72) Inventor: **Jamey A Hall**, Simi Valley, CA (US)
- (73) Assignee: **Jamey A. Hall**, Simi Valley, CA (US)
- (**) Term: **15 Years**
- (21) Appl. No.: **29/689,177**
- (22) Filed: **Apr. 27, 2019**
- (51) **LOC (13) Cl.** **08-05**
- (52) **U.S. Cl.**
USPC **D8/14; D8/47**
- (58) **Field of Classification Search**
USPC D8/14, 25, 51, 47, 98, 107, 300, 303
CPC Y10T 29/5118; B21J 15/383; B21J 15/00;
B21J 15/38
See application file for complete search history.

(56) **References Cited**

U.S. PATENT DOCUMENTS

D284,259 S *	6/1986	Oury	D8/107
D307,703 S *	5/1990	Tomasula	D8/107
D468,603 S *	1/2003	Lee	D8/51
7,044,020 B2 *	5/2006	Rosenthal	B62K 21/26 16/421

7,509,721 B1 *	3/2009	Liang	A41H 37/005 29/243.5
D598,724 S *	8/2009	Hsieh	D8/47
D664,573 S *	7/2012	Brown	D15/136
D668,279 S *	10/2012	Brown	D15/136
D697,782 S *	1/2014	Lee	D8/107
2008/0244913 A1 *	10/2008	Lin	B25D 3/00 30/167

* cited by examiner

Primary Examiner — Philip S Hyder

(74) *Attorney, Agent, or Firm* — Law Offices of Frederick Gotha

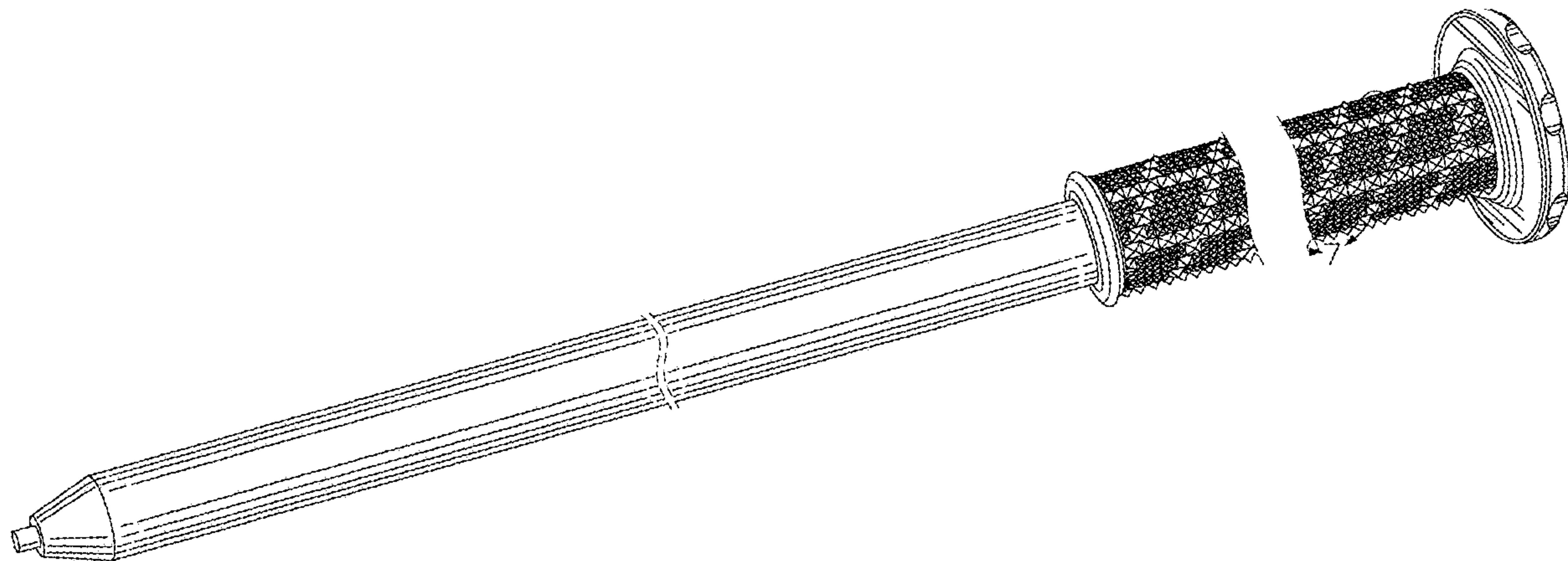
(57) **CLAIM**

The ornamental design for a rivet removal tool, as shown and described.

DESCRIPTION

FIG. 1 is a Perspective view of my new design;
 FIG. 2 is a partial rear perspective view of FIG. 1;
 FIG. 3 is a side elevational view of my design shown in FIG. 1;
 FIG. 4 is a front view of FIG. 1;
 FIG. 5 is a rear view of FIG. 1;
 FIG. 6 is a magnified view of the section 6 identified in FIG. 3; and,
 FIG. 7 is a perspective magnified view of the section 7 identified in FIG. 1.

1 Claim, 4 Drawing Sheets



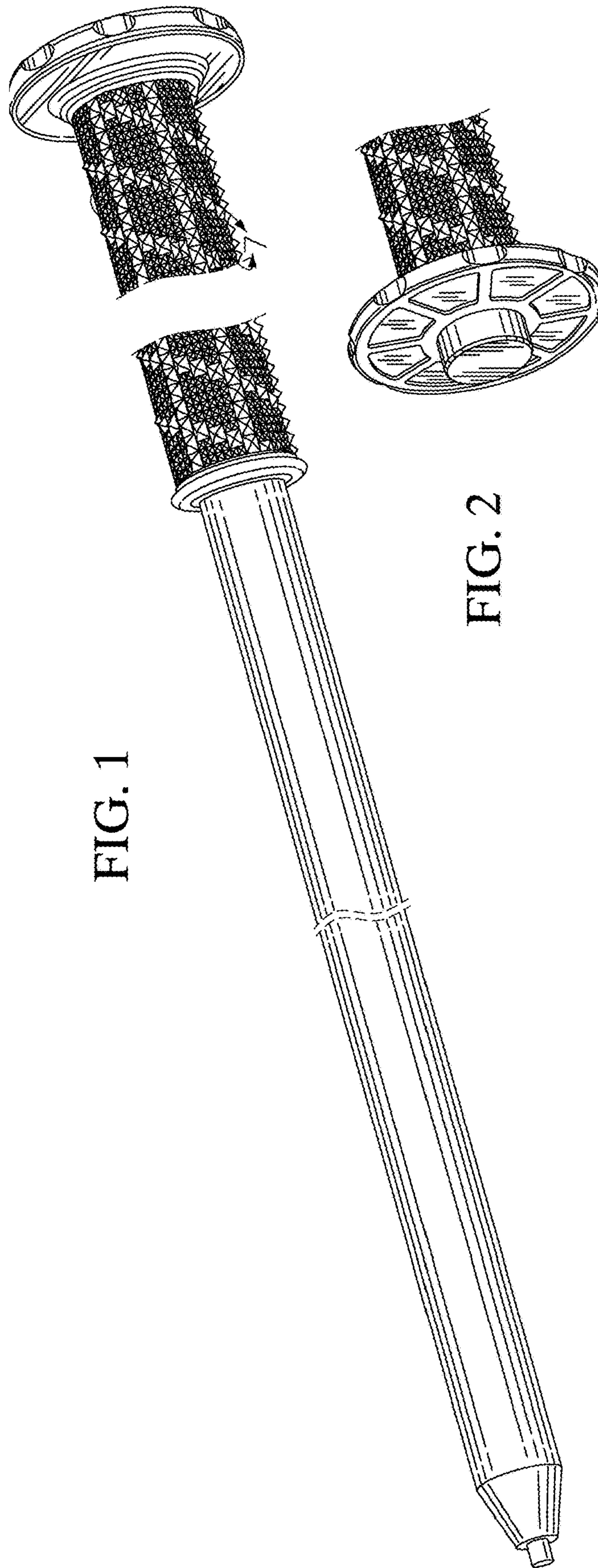


FIG. 1

FIG. 2

FIG. 3

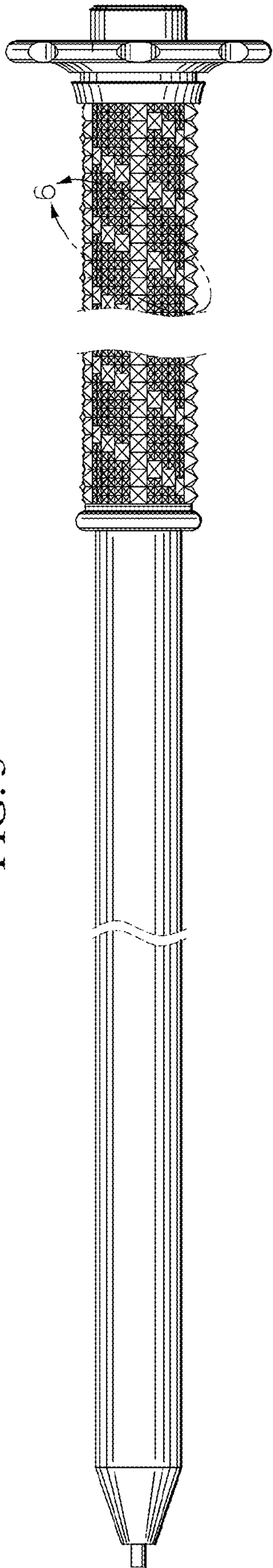


FIG. 4

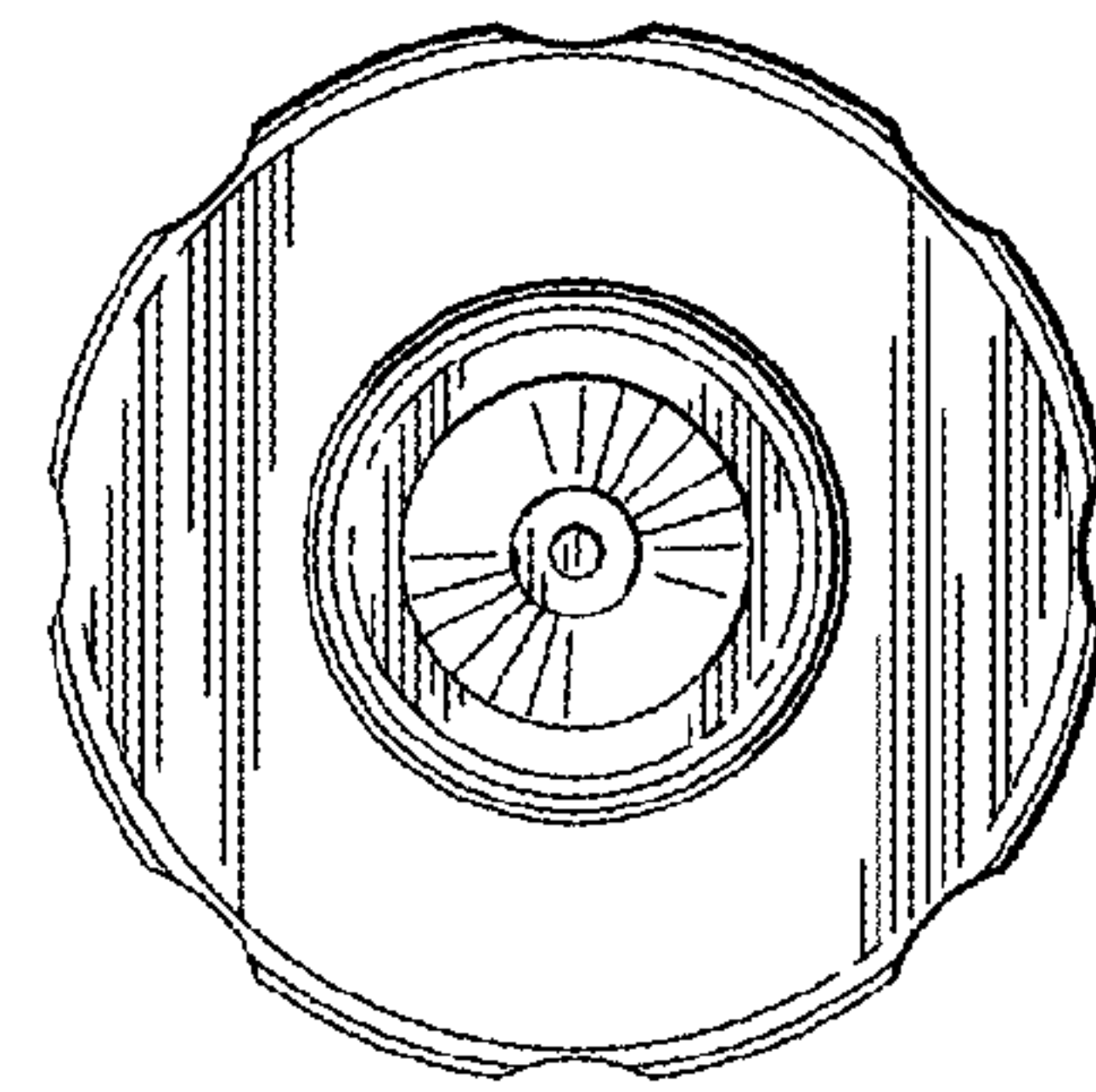
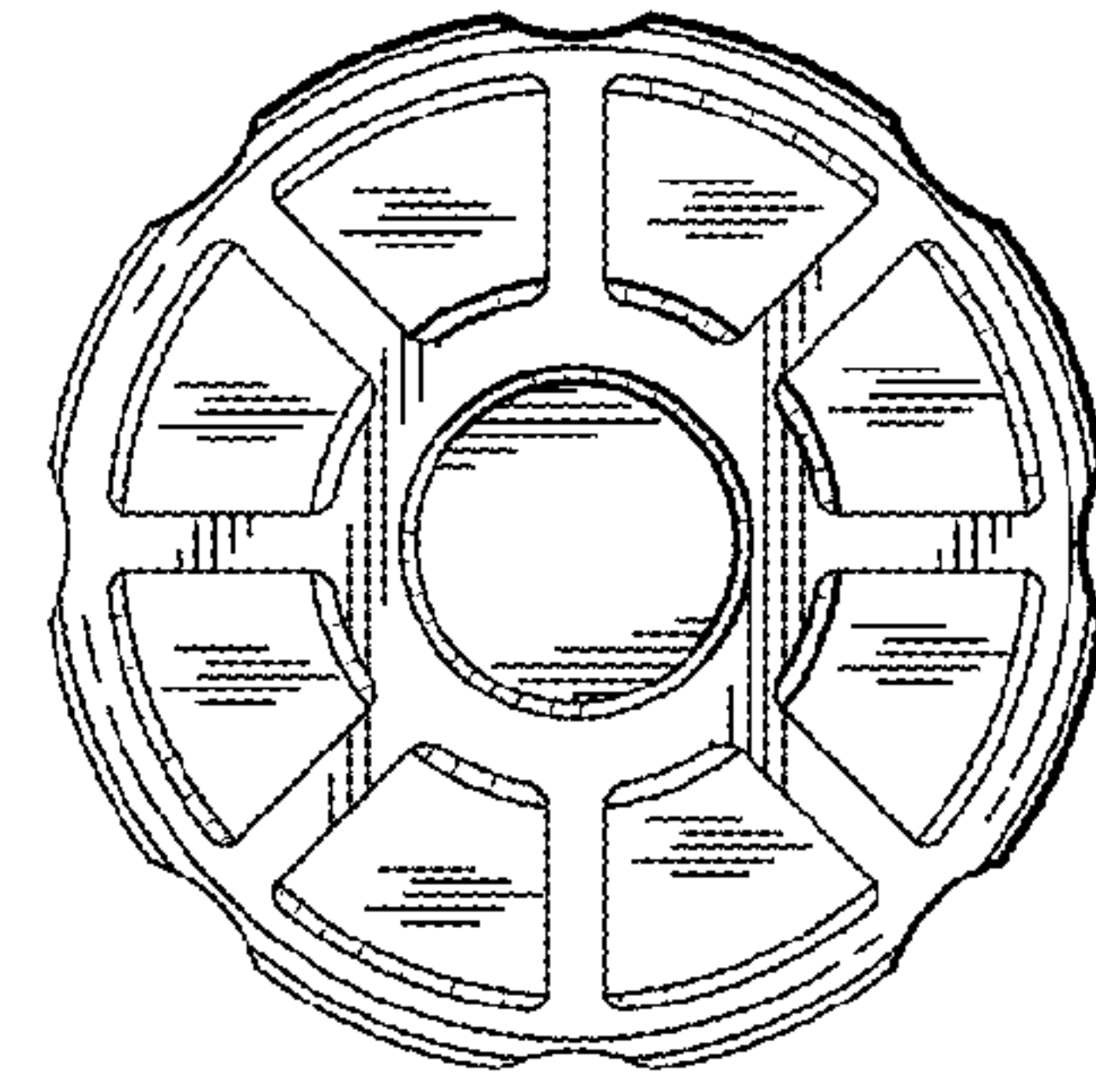


FIG. 5



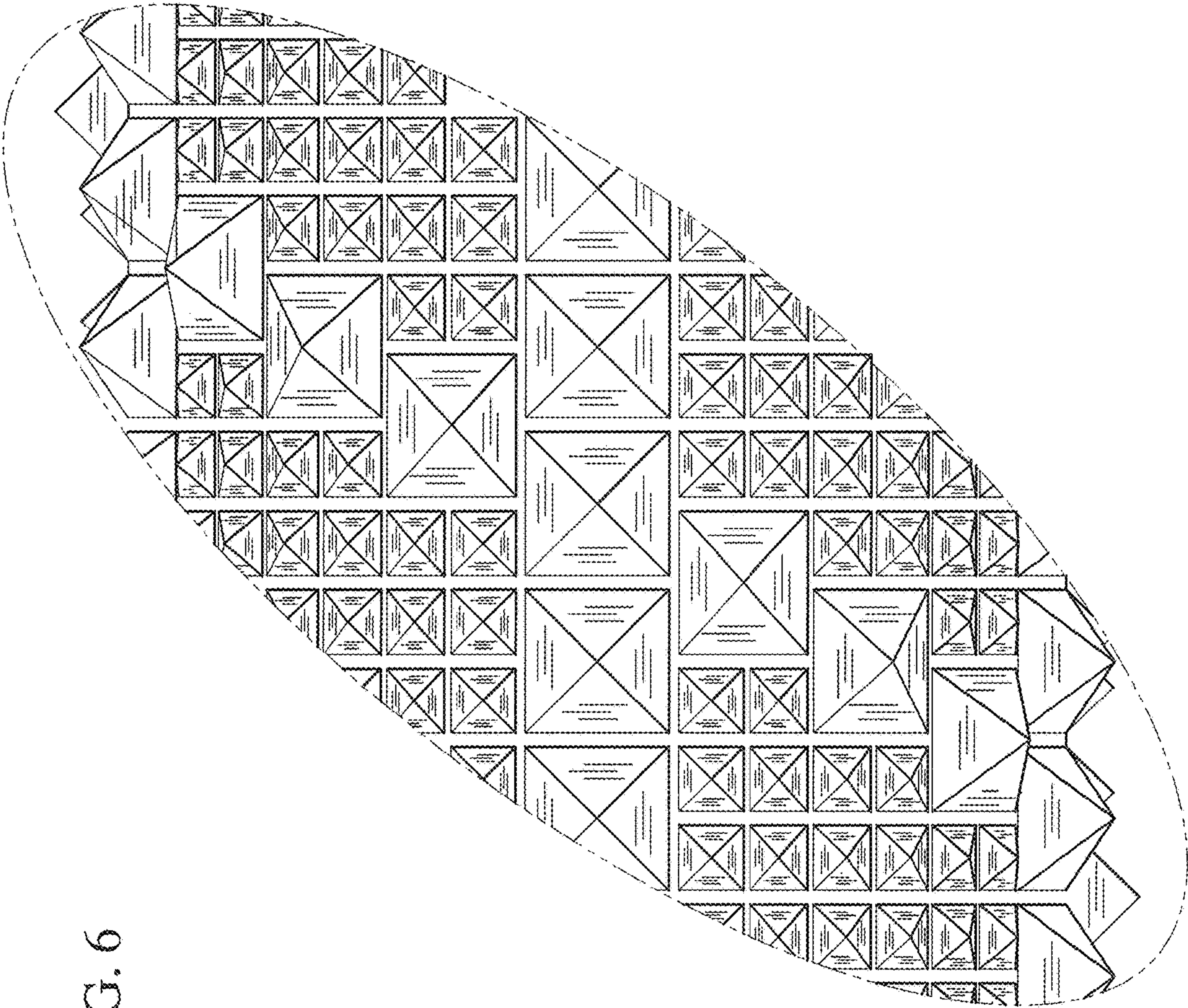


FIG. 6

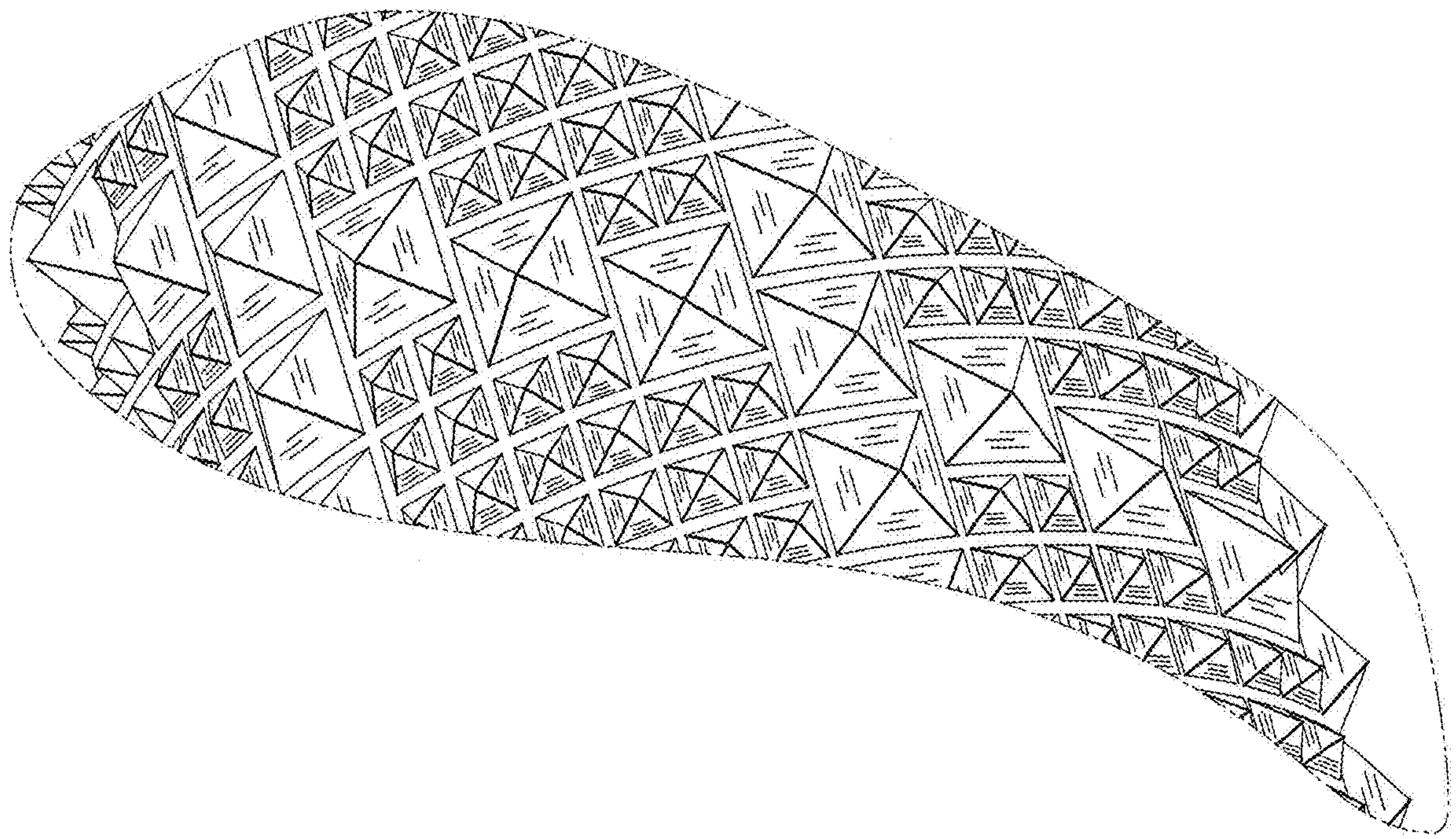


FIG. 7