



US00D919387S

(12) **United States Design Patent** (10) **Patent No.:** **US D919,387 S**
Tinius (45) **Date of Patent:** **** May 18, 2021**

(54) **BATTERY POWERED HEDGE TRIMMER**

D758,151 S * 6/2016 Tinius D8/8
D798,679 S * 10/2017 Tinius A01D 34/78
D832,669 S * 11/2018 Dretzka D8/61
10,224,524 B2 * 3/2019 Miller A01D 34/78
2014/0259692 A1 * 9/2014 Racov B25F 5/008
30/277.4

(71) Applicant: **Andreas Stihl AG & Co. KG**,
Waiblingen (DE)

(72) Inventor: **Michael Tinius**, Ulm (DE)

(73) Assignee: **Andreas Stihl AG & Co. KG**,
Waiblingen (DE)

(**) Term: **15 Years**

(21) Appl. No.: **29/683,501**

(22) Filed: **Mar. 13, 2019**

(30) **Foreign Application Priority Data**

Sep. 18, 2018 (EM) 005647658

(51) **LOC (13) Cl.** **08-03**

(52) **U.S. Cl.**
USPC **D8/8**

(58) **Field of Classification Search**
USPC D8/1, 7-13, 107, 499
CPC A01B 1/04; A01B 1/02; A01B 1/12; A01B
1/18; A01B 13/00; A01D 34/412; A01D
34/416; A01G 3/00; A01G 3/053; A01G
3/062; A01G 3/0535; B25F 5/02
See application file for complete search history.

(56) **References Cited**

U.S. PATENT DOCUMENTS

D482,944 S * 12/2003 Chunn D8/9
D710,161 S * 8/2014 Carl D8/8
D732,358 S * 6/2015 Tinius D8/9
D758,150 S * 6/2016 Tinius B25F 5/008
D8/8

* cited by examiner

Primary Examiner — Sheryl Lane

Assistant Examiner — Calvin E Vansant

(74) *Attorney, Agent, or Firm* — McGuireWoods LLP

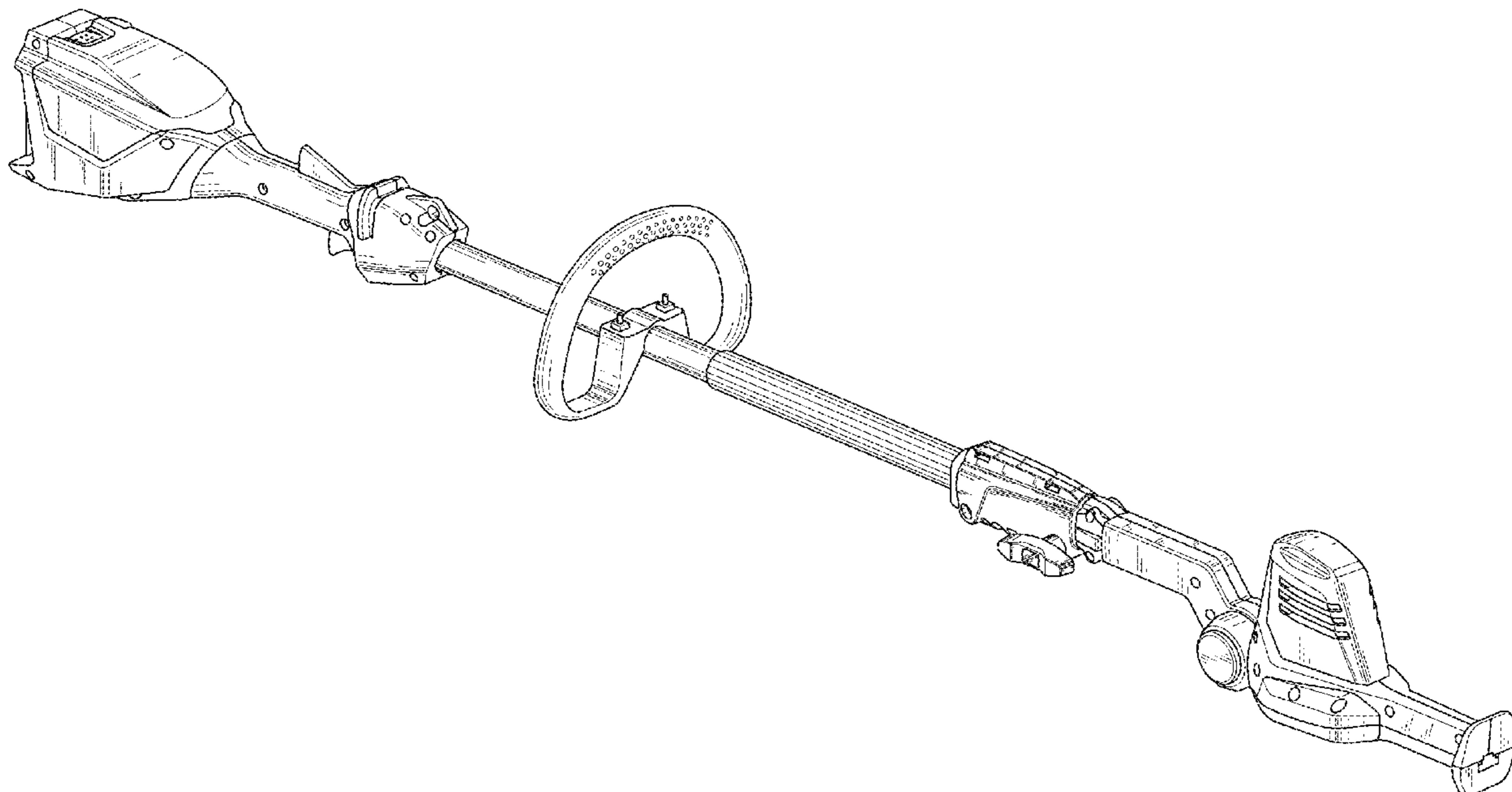
(57) **CLAIM**

I claim the ornamental design for a battery powered hedge trimmer, as shown and described.

DESCRIPTION

FIG. 1 is a left front perspective view of the battery powered hedge trimmer showing my new design;
FIG. 2 is a top view of the battery powered hedge trimmer shown in FIG. 1;
FIG. 3 is a bottom view of the battery powered hedge trimmer shown in FIG. 1;
FIG. 4 is a right side view of the battery powered hedge trimmer shown in FIG. 1;
FIG. 5 is a left side view of the battery powered hedge trimmer shown in FIG. 1;
FIG. 6 is a front view of the battery powered hedge trimmer shown in FIG. 1;
FIG. 7 is a rear view of the battery powered hedge trimmer shown in FIG. 1; and,
FIG. 8 is a left rear perspective view of the battery powered hedge trimmer shown in FIG. 1.
The broken lines depict portions of the battery powered hedge trimmer that form no part of the claimed design.

1 Claim, 8 Drawing Sheets



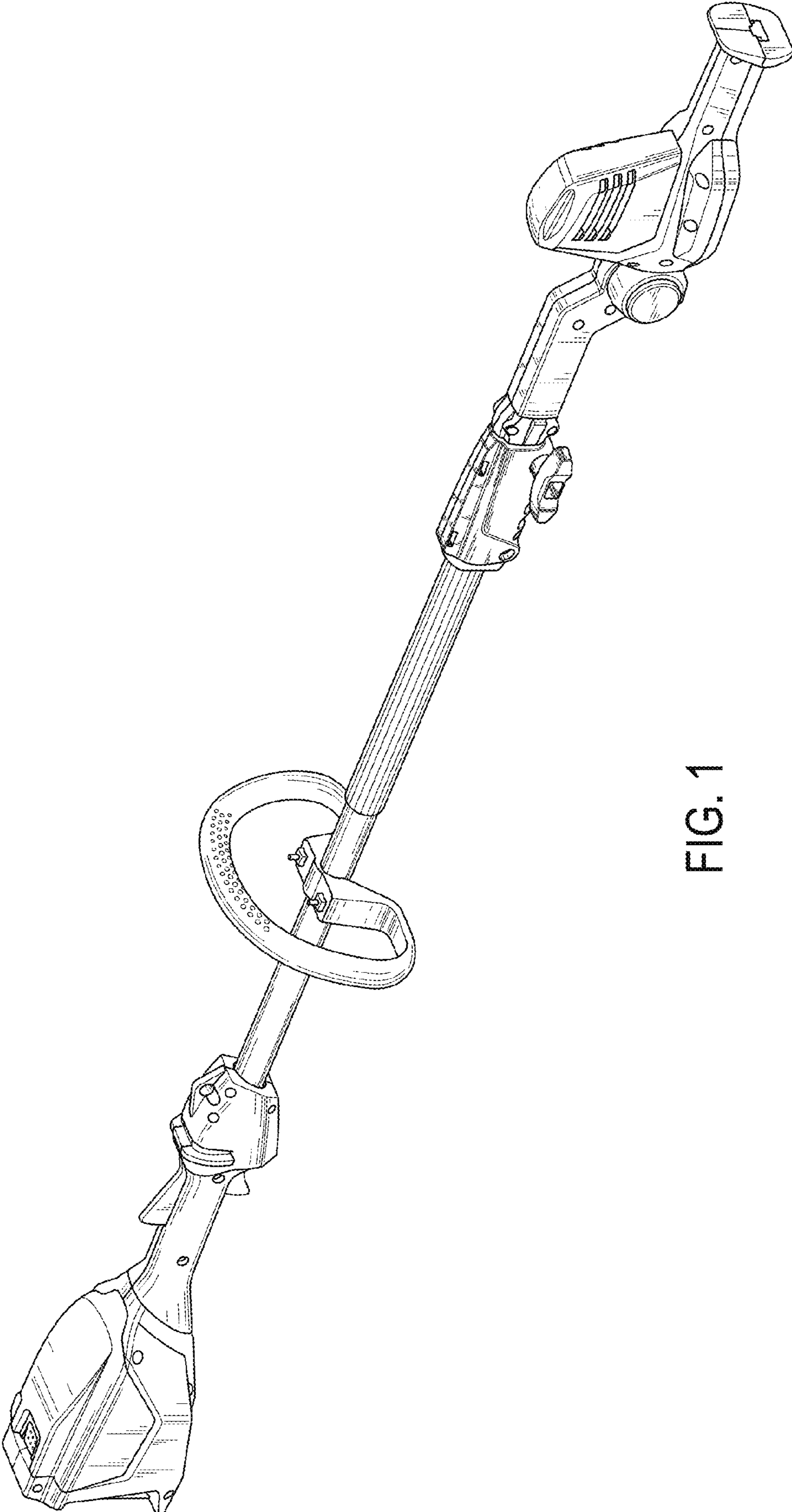


FIG. 1

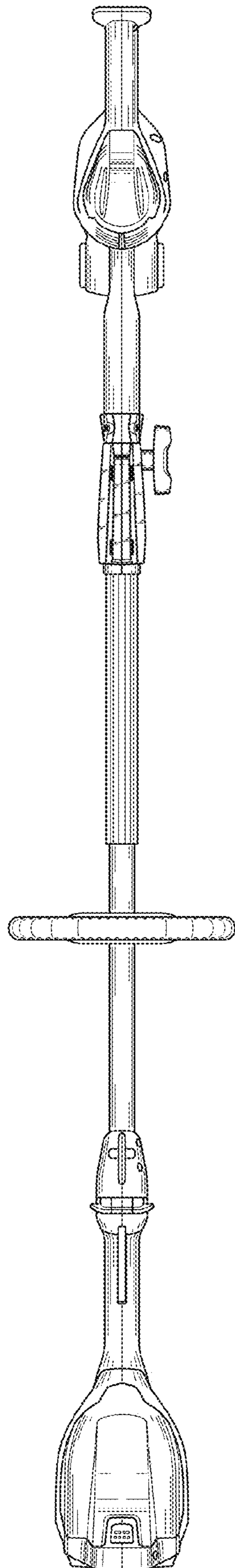


FIG. 2

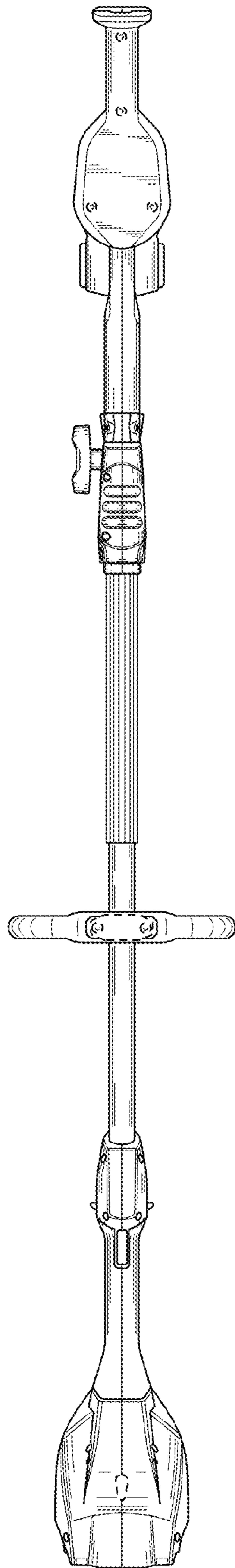


FIG. 3

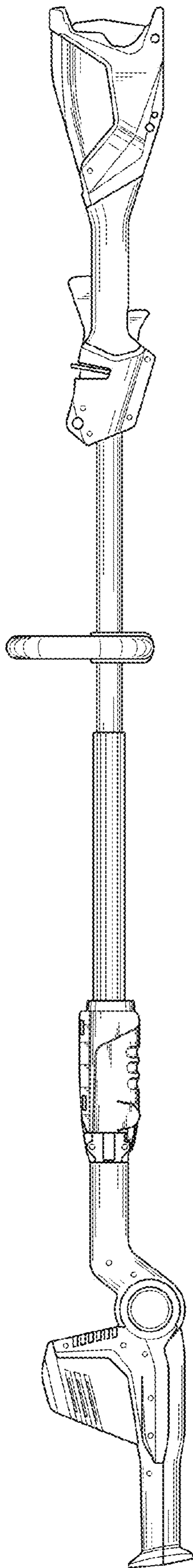


FIG. 4

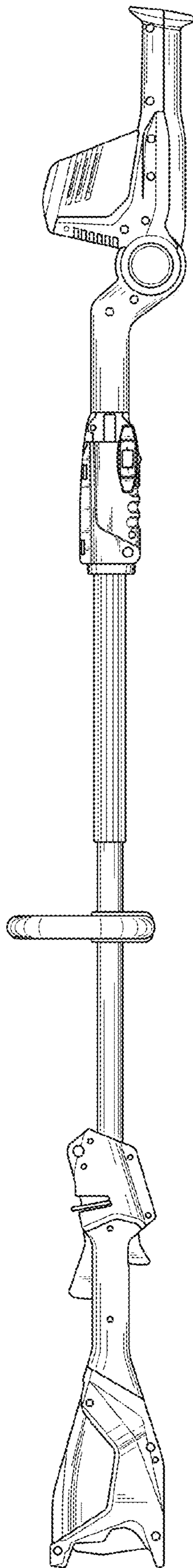


FIG. 5

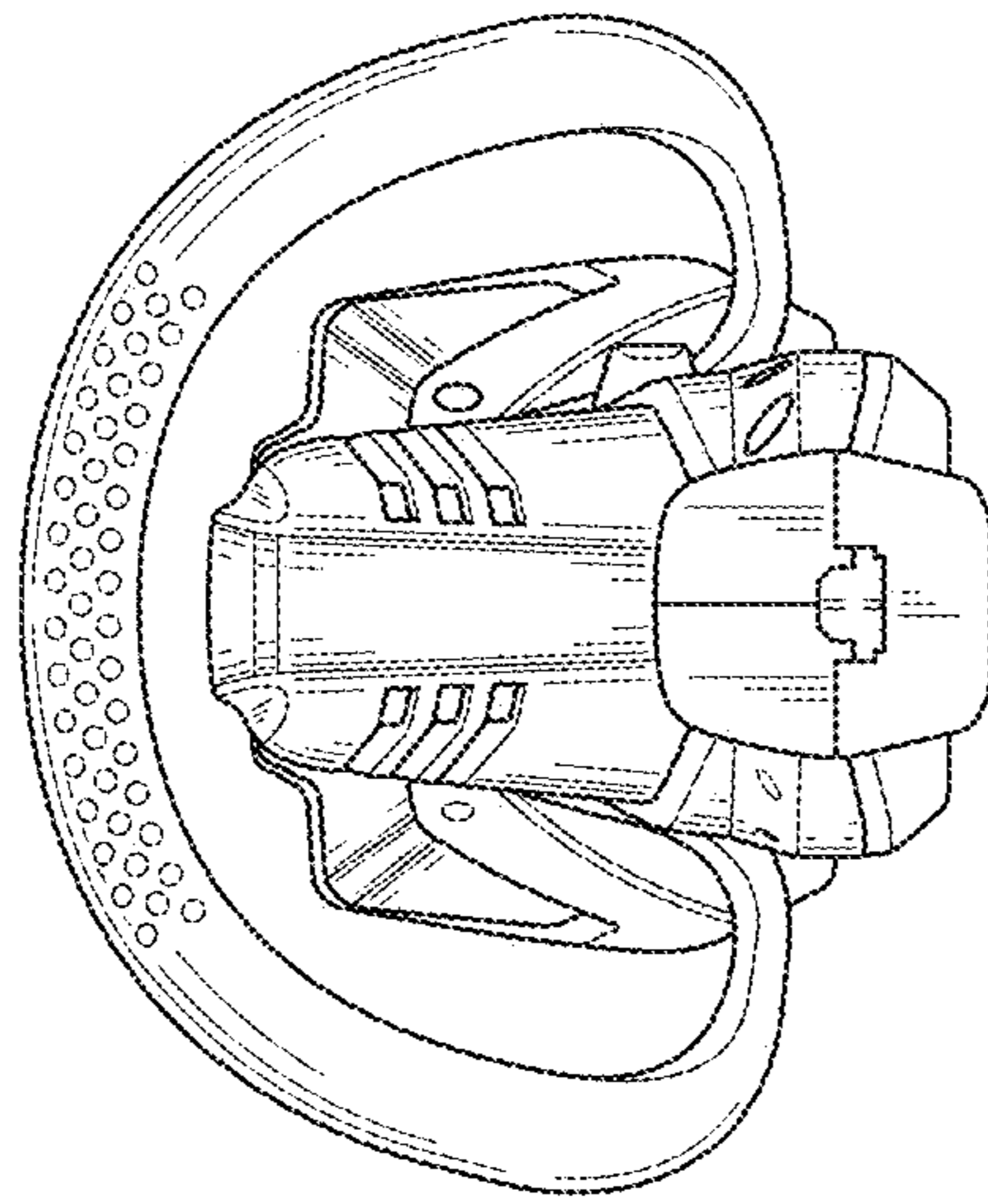


FIG. 6

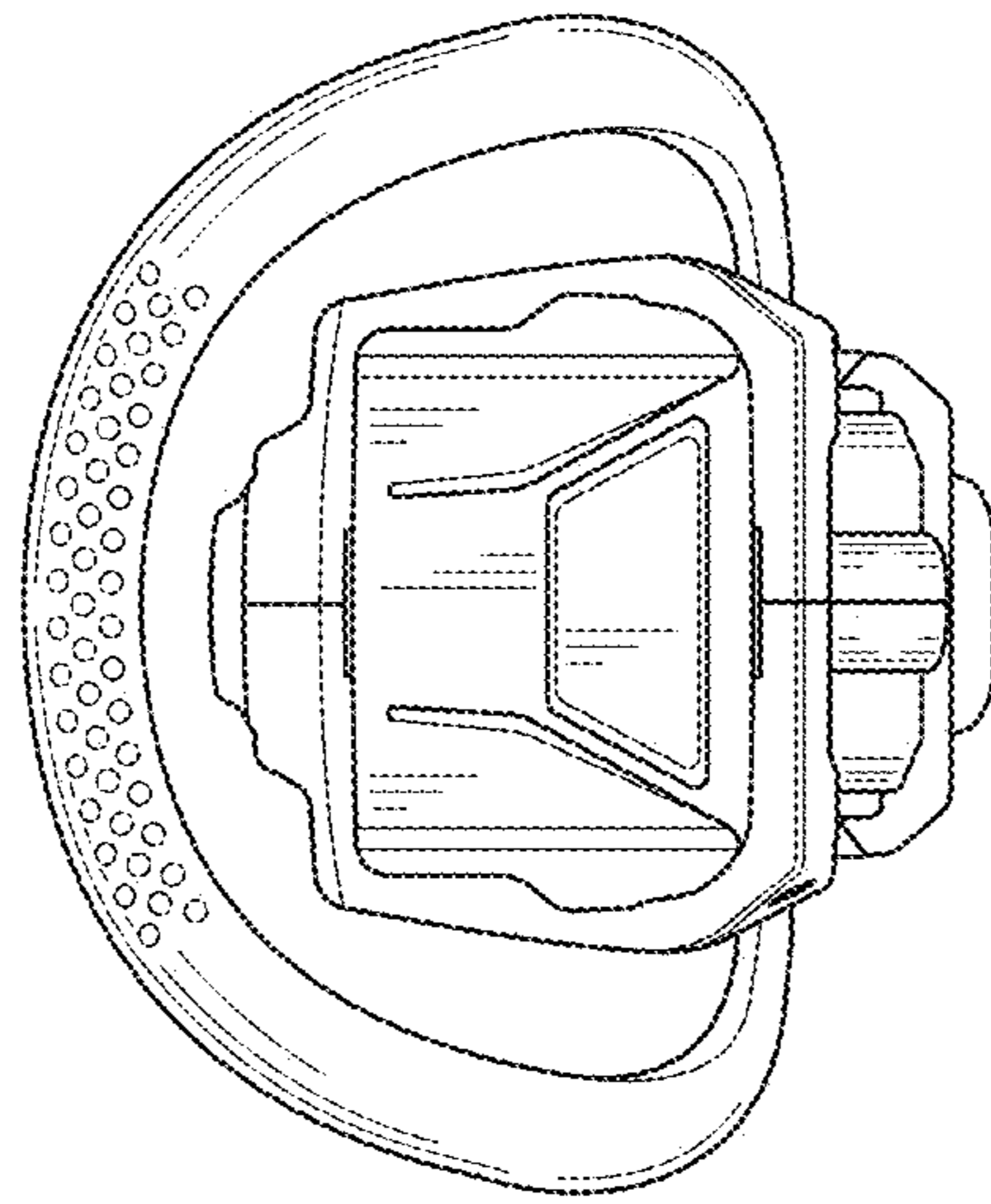


FIG. 7

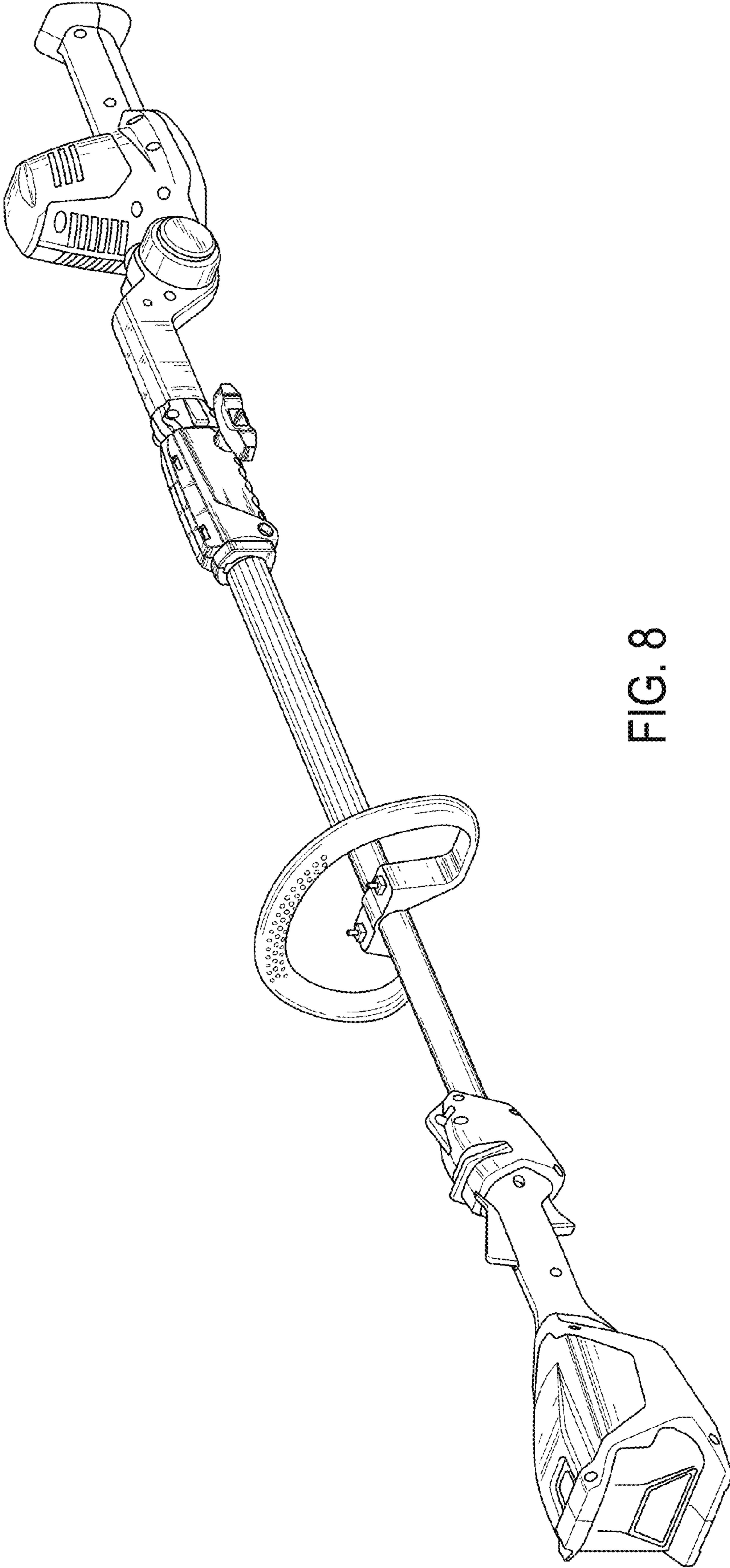


FIG. 8