



US00D919385S

(12) **United States Design Patent**
Brannon

(10) **Patent No.:** **US D919,385 S**

(45) **Date of Patent:** **** May 18, 2021**

- (54) **FOOD CUTTER**
- (71) Applicant: **Shirley Brannon**, Martinsburg, WV
(US)
- (72) Inventor: **Shirley Brannon**, Martinsburg, WV
(US)
- (**) Term: **15 Years**
- (21) Appl. No.: **29/688,722**
- (22) Filed: **Apr. 24, 2019**
- (51) **LOC (13) Cl.** **07-04**
- (52) **U.S. Cl.**
USPC **D7/693**
- (58) **Field of Classification Search**
USPC D7/672-677, 693-697, 393, 395, 381,
D7/383; 30/301, 306
CPC A21C 11/106; A21C 11/10; A47J 43/20;
B26D 3/185; B26D 5/10; B26B 3/04
See application file for complete search history.

935,576 A *	9/1909	Bates	A21C 11/106
				30/301
1,095,092 A *	4/1914	Drake	B26D 3/185
				30/303
1,364,863 A *	1/1921	Buchtel	B26B 3/04
				30/303
1,379,724 A	5/1921	Russell		
D131,301 S *	2/1942	Jacobsen	D7/673
2,557,539 A *	6/1951	Henrickson	B26B 3/04
				30/287
2,559,554 A	7/1951	Zahner et al.		
3,112,781 A	12/1963	Popeil		
4,055,892 A	11/1977	Del Vecchio		
4,599,928 A	7/1986	Oker		
D298,603 S *	11/1988	White	D8/98
4,789,555 A *	12/1988	Judd	A21C 5/00
				30/301
5,207,137 A	5/1993	Baril		
5,245,902 A	9/1993	Pereira		
D345,490 S *	3/1994	Broadbent	D7/673
6,276,918 B1 *	8/2001	Slaughter	A21C 11/106
				249/DIG. 1

(Continued)

Primary Examiner — Brett Miller
(74) *Attorney, Agent, or Firm* — Cramer Patent & Design, PLLC; Aaron R. Cramer

(56) **References Cited**

U.S. PATENT DOCUMENTS

54,987 A *	5/1866	Whitney	A47J 19/04
				241/169.2
61,954 A *	2/1867	Remington	B26D 3/185
				30/303
91,795 A *	6/1869	Untiedt	B26D 3/185
				30/303
293,542 A *	2/1884	Victor	B26D 3/185
				30/303
410,682 A *	9/1889	Berry	B26B 3/04
				30/303
500,695 A *	7/1893	Trumble	B26D 3/185
				30/303
518,279 A *	4/1894	Rundell	B26D 3/185
				30/303
554,788 A *	2/1896	Newell	B26D 3/185
				30/303

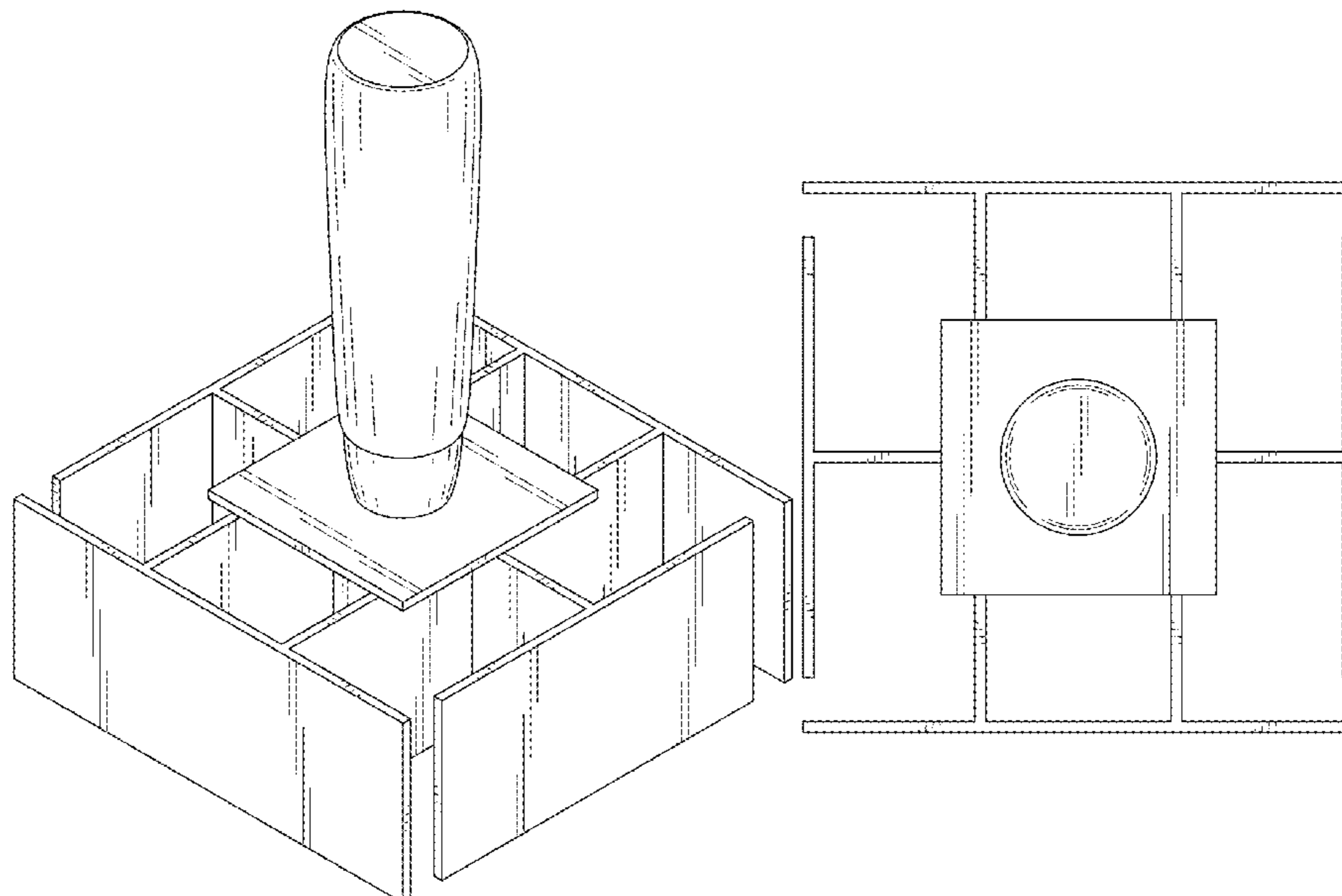
(57) **CLAIM**

The ornamental design for a food cutter, as shown and described.

DESCRIPTION

FIG. 1 is a perspective top front right view of a food cutter, showing my new design;
FIG. 2 is a first side elevation view thereof;
FIG. 3 is a second side elevation view thereof, taken at a ninety degree (90°) from said first side;
FIG. 4 is a top plan view thereof; and,
FIG. 5 is a bottom plan view thereof.

1 Claim, 5 Drawing Sheets



(56)

References Cited

U.S. PATENT DOCUMENTS

7,159,810 B1 * 1/2007 Miller A47J 19/04
241/168
D586,626 S 2/2009 Carrell
D590,215 S 4/2009 Carrell
7,587,968 B1 9/2009 Roberts
8,944,355 B2 * 2/2015 Rose A47J 43/288
241/168
D751,353 S * 3/2016 Rose D7/688
9,302,403 B2 4/2016 Neare-Vaarmann
9,908,252 B2 3/2018 Lopez
D814,250 S * 4/2018 Lonergan D7/677
D885,147 S * 5/2020 Chesko D7/677
D889,917 S * 7/2020 Chapman D7/688
2006/0272162 A1 12/2006 Atwater et al.

* cited by examiner

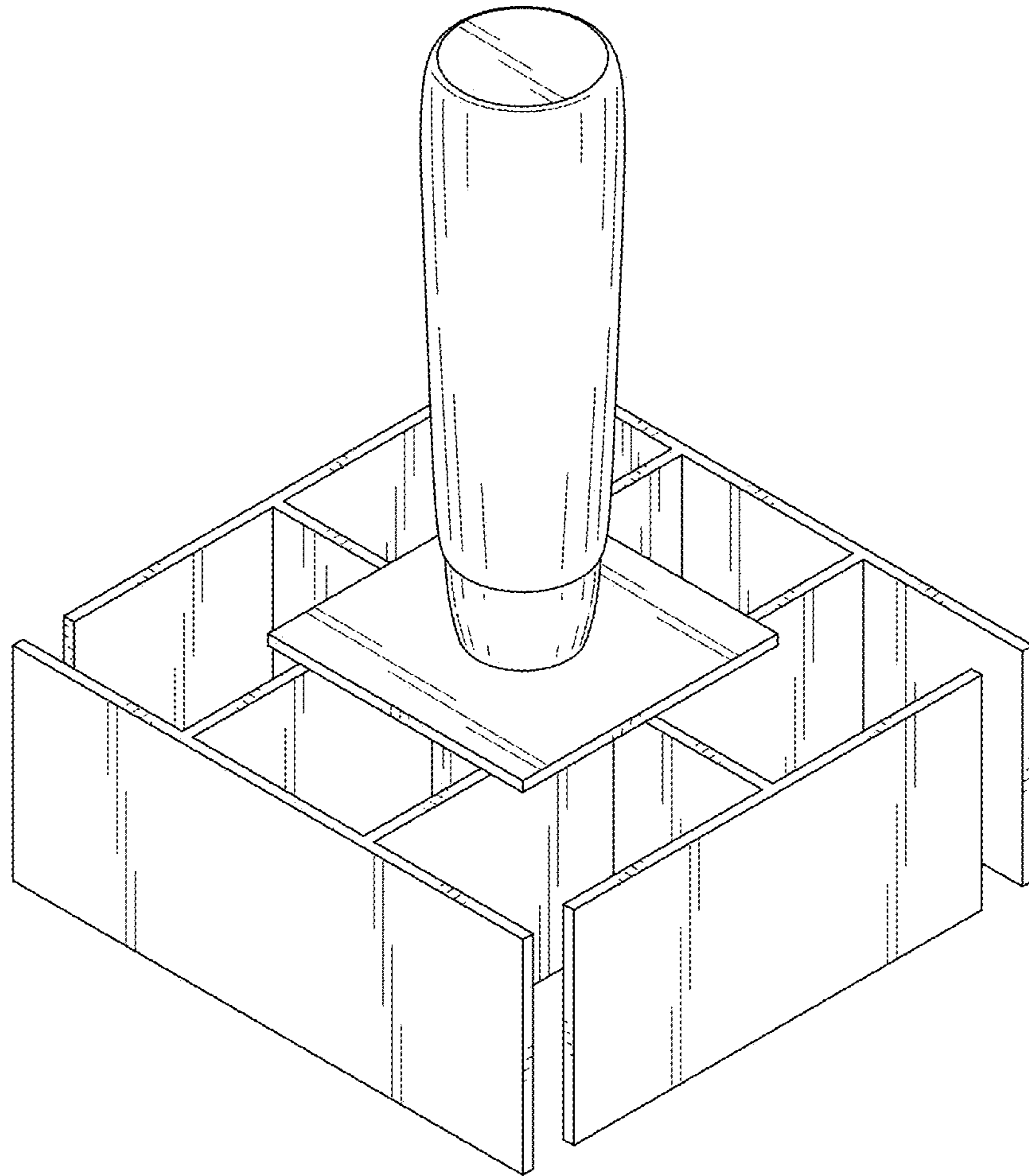


FIG. 1

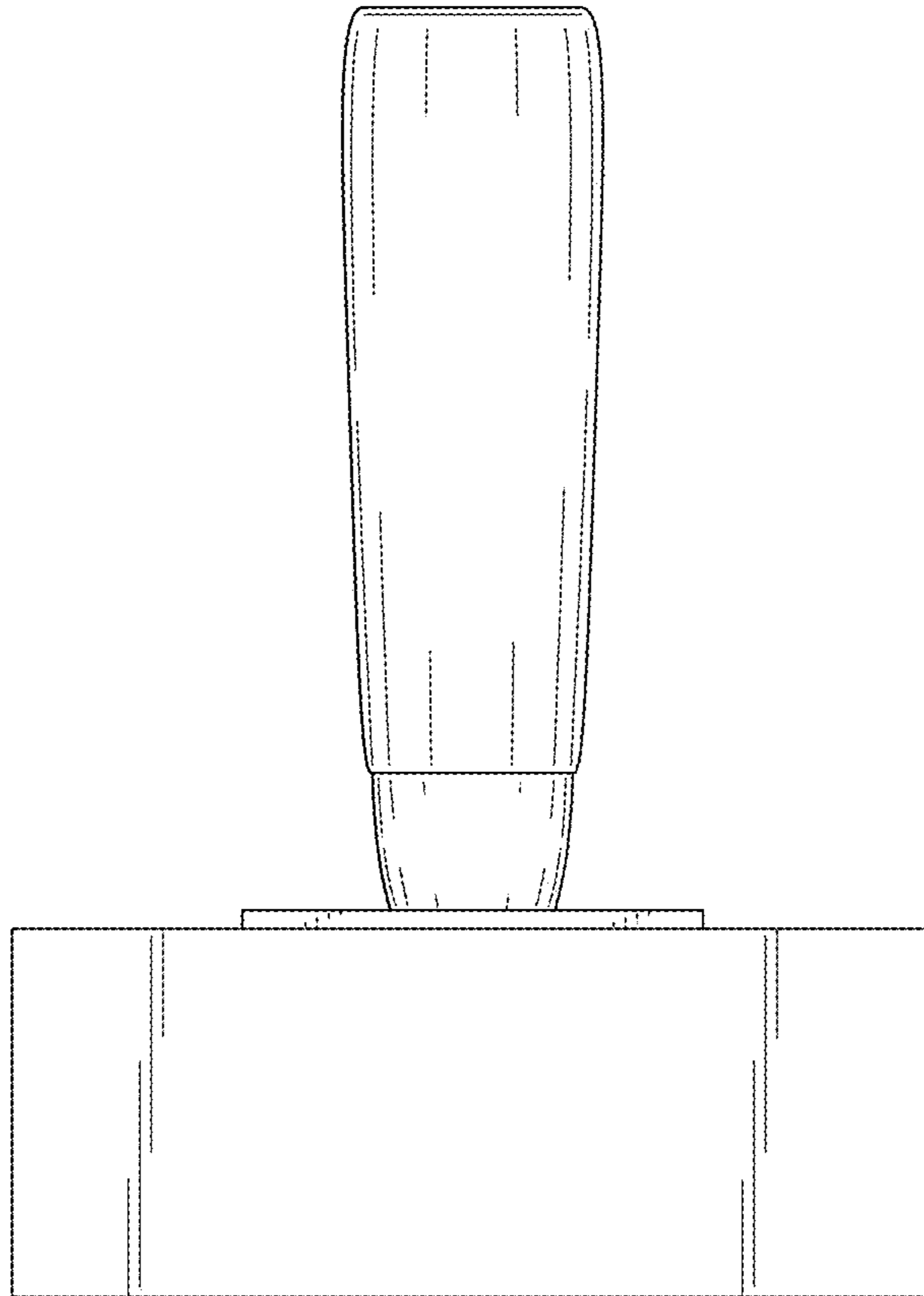


FIG. 2

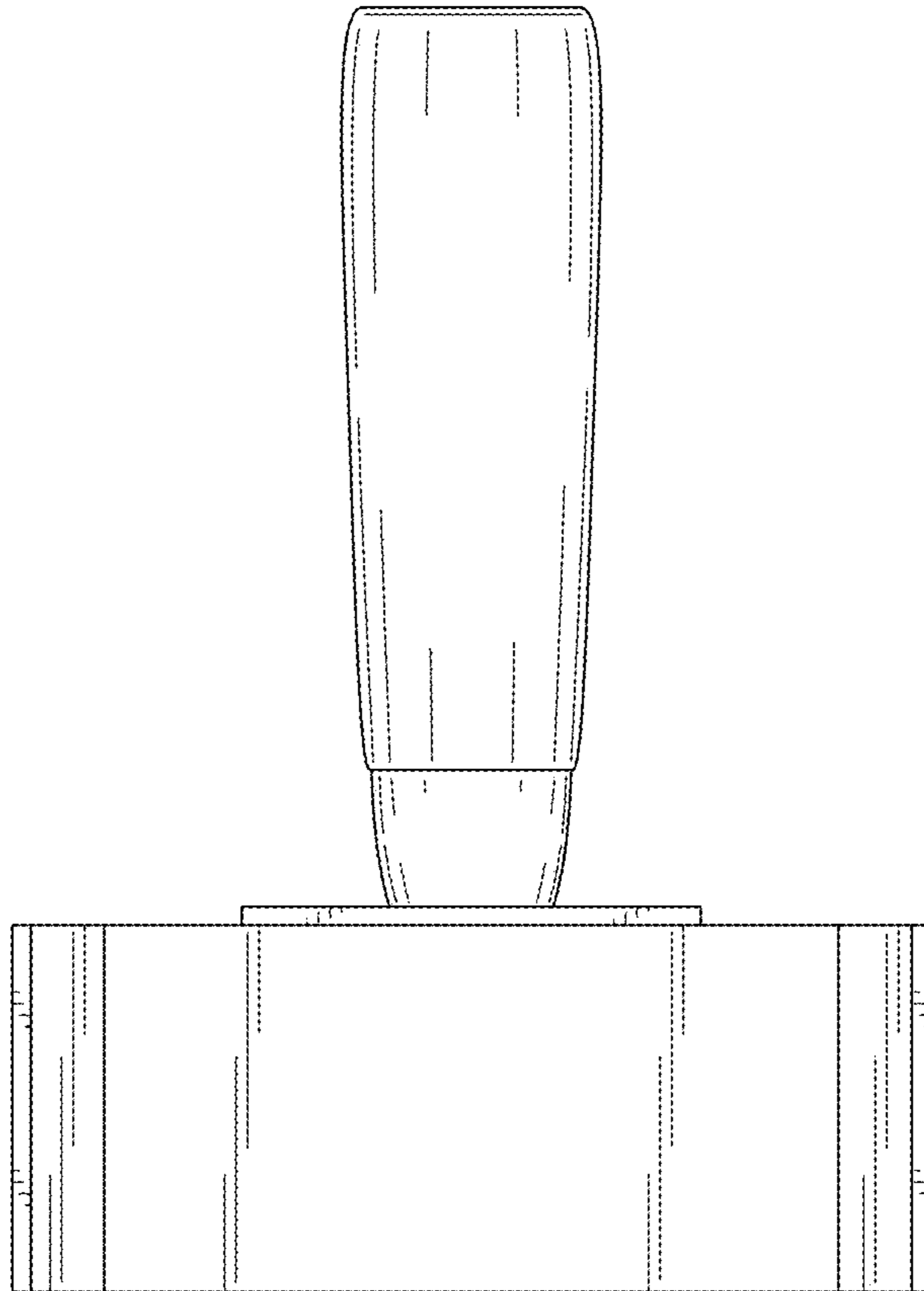


FIG. 3

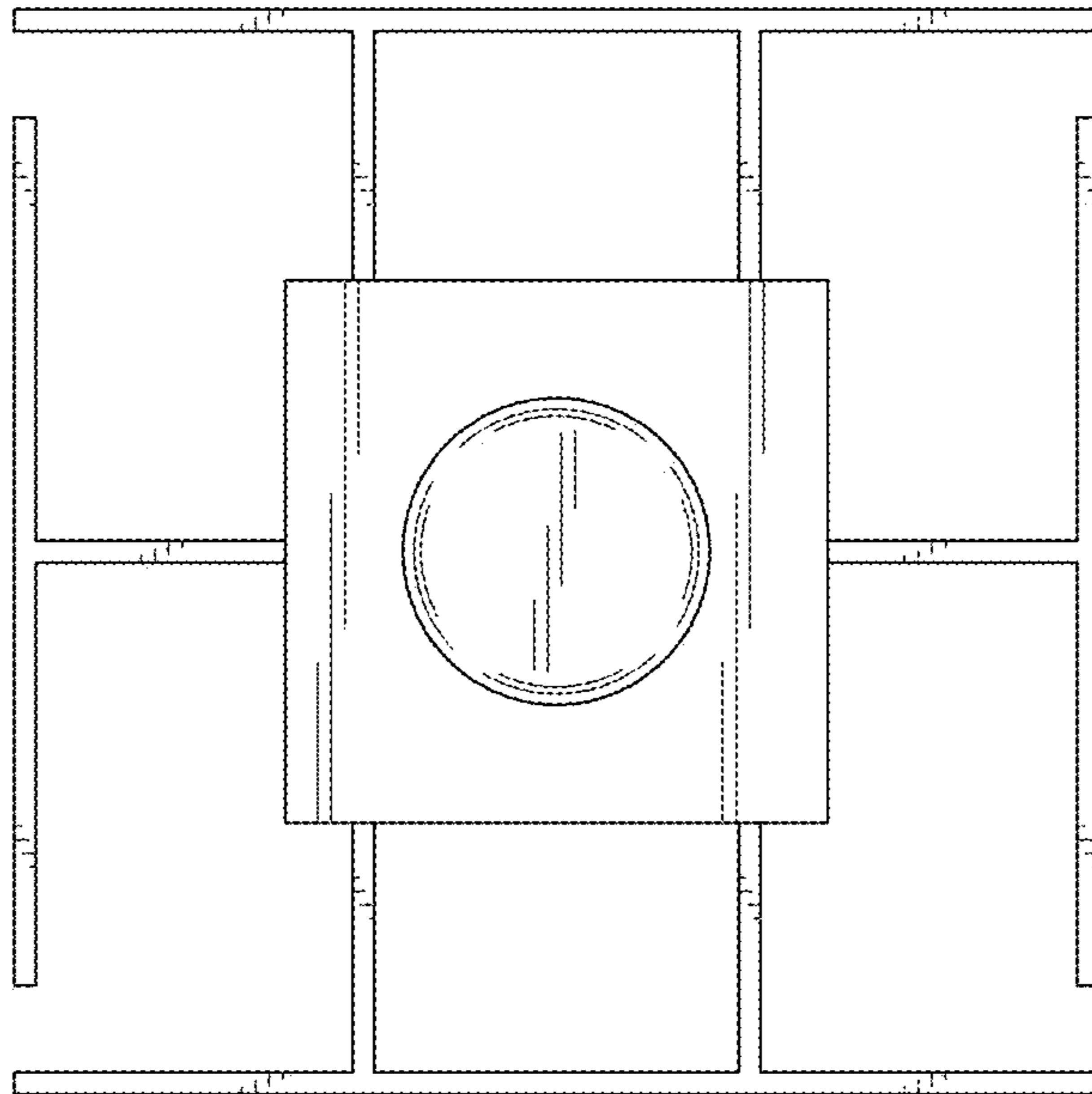


FIG. 4

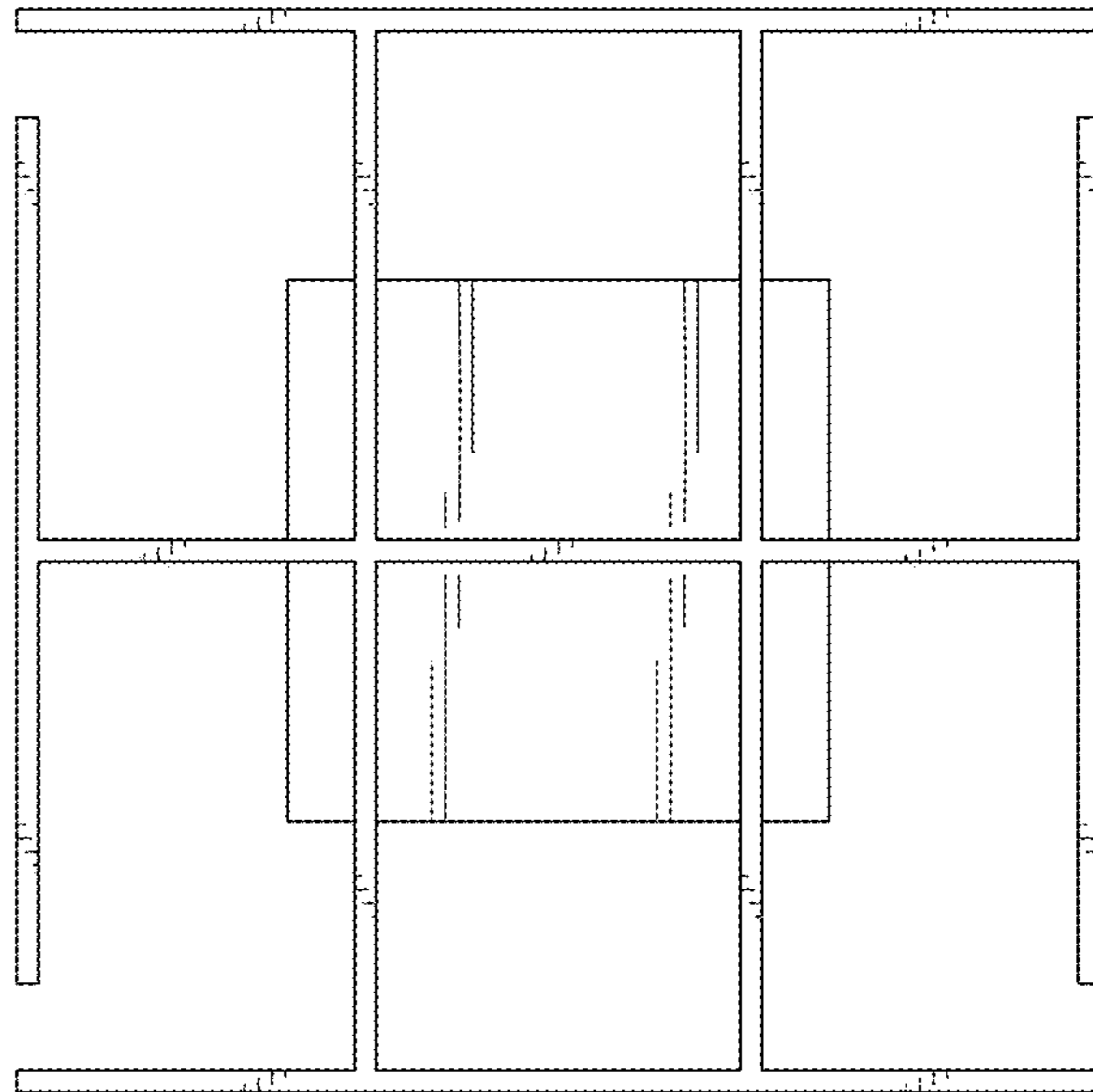


FIG. 5