



US00D919384S

(12) **United States Design Patent** (10) **Patent No.:** **US D919,384 S**  
**Folmann et al.** (45) **Date of Patent:** **\*\* May 18, 2021**

(54) **HERB GRINDER**  
(71) Applicant: **HØJ LIFE LIMITED**, Hounslow (GB)  
(72) Inventors: **Simon Villum Folmann**, London (GB);  
**Matias Taul Hansen**, Silkeborg (DK)

D769,083 S 10/2016 Harris et al.  
D770,866 S 11/2016 Bernheim  
RE46,408 E \* 5/2017 Hainbach ..... A47J 42/14  
D809,880 S \* 2/2018 Perkail ..... D7/679  
D843,796 S \* 3/2019 Wong ..... D7/693  
D858,222 S 9/2019 Stewart et al.  
(Continued)

(73) Assignee: **HØJ LIFE LIMITED**, Hounslow (GB)  
(\*\*) Term: **15 Years**

FOREIGN PATENT DOCUMENTS

DE 10 2020 017 719 A1 1/2012  
GB 6014781 7/2017  
(Continued)

(21) Appl. No.: **29/699,033**

(22) Filed: **Jul. 23, 2019**

OTHER PUBLICATIONS

Klip. Online, published date unknown. Retrieved on Oct. 14, 2020  
from URL: [https://www.hoj.life/products/klip.\\*](https://www.hoj.life/products/klip.*)  
(Continued)

(51) **LOC (13) Cl.** ..... **07-04**  
(52) **U.S. Cl.**

USPC ..... **D7/679**; D27/195

(58) **Field of Classification Search**  
USPC ..... D7/372, 373, 381, 383, 590–597, 679,  
D7/693; D27/195; D9/428, 504, 766,  
D9/767, 772, 773; D28/8  
CPC .. A47J 42/14; A47J 42/00; A47J 42/04; A47J  
42/34; A47J 42/40; A47J 42/50; A47J  
19/04; A47J 43/25; A47J 43/04; A47J  
44/00; A24B 7/00; A24C 5/40  
See application file for complete search history.

*Primary Examiner* — Susan Bennett Hattan  
*Assistant Examiner* — Omeed Agilee  
(74) *Attorney, Agent, or Firm* — James A. Sheridan;  
Sheridan Law, LLC

(57) **CLAIM**

What is claimed is the ornamental design of a herb grinder,  
as shown and described.

(56) **References Cited**

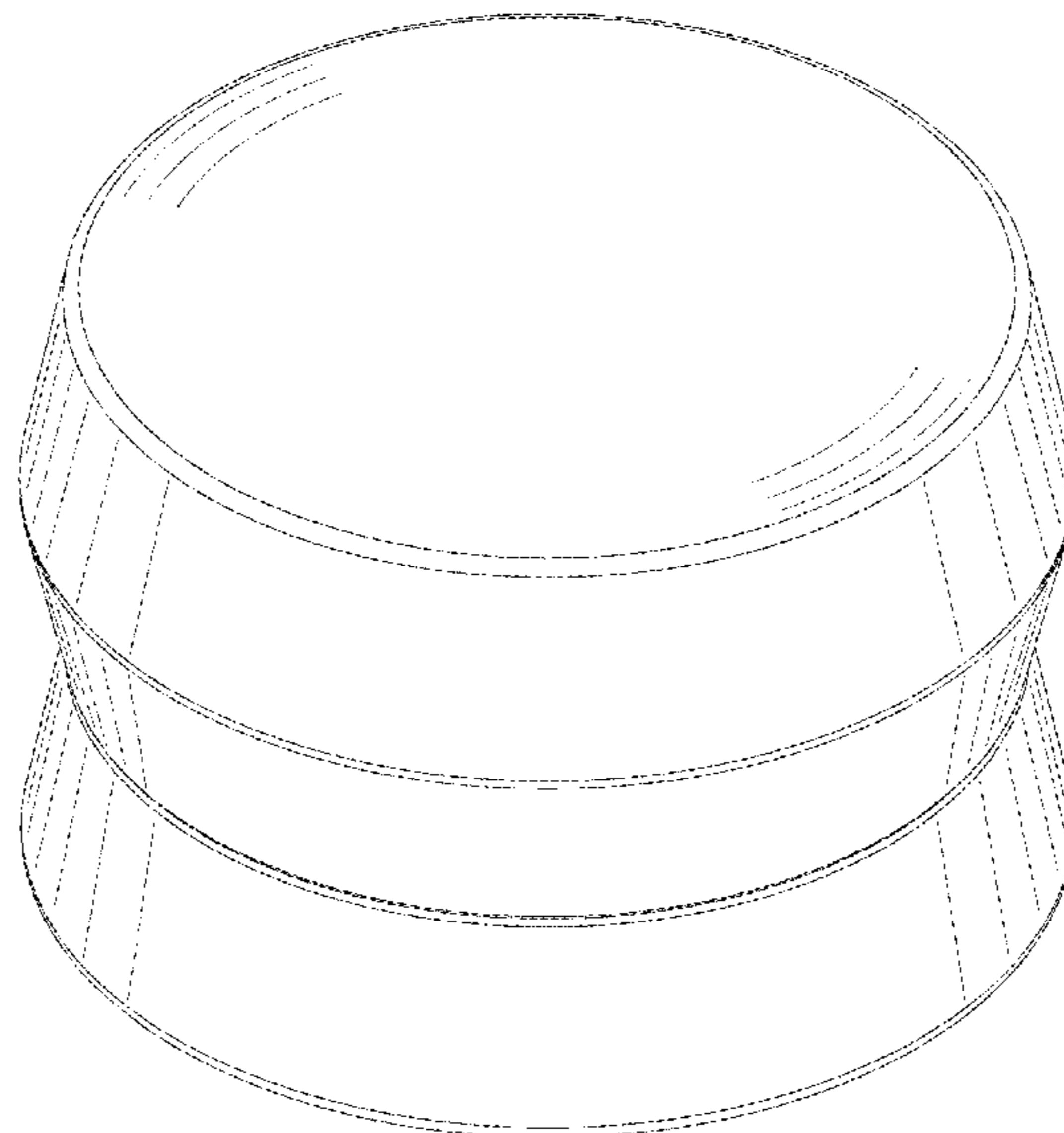
**DESCRIPTION**

U.S. PATENT DOCUMENTS

D227,003 S 5/1973 Graham  
D230,931 S \* 3/1974 Sewell ..... D7/596  
D445,032 S \* 7/2001 Hammer ..... D9/504  
D505,074 S \* 5/2005 Bakic ..... D9/504  
D586,189 S 2/2009 Austin  
D613,553 S \* 4/2010 Wilson ..... D7/401.1  
D672,090 S \* 12/2012 Ino ..... D28/51  
D723,878 S \* 3/2015 Smith ..... D7/679  
D724,394 S \* 3/2015 Smith ..... D7/679  
9,241,597 B2 1/2016 Dukat  
D755,022 S 5/2016 Dukat  
D759,438 S 6/2016 Dukat  
D762,091 S \* 7/2016 Grumbacher ..... D7/679

FIG. 1 is a perspective view from above of a herb grinder of  
our new design;  
FIG. 2 is a perspective view from below of the herb grinder  
as shown in FIG. 1;  
FIG. 3 is a side view of the herb grinder as shown in FIG.  
1;  
FIG. 4 is a top view of the herb grinder as shown in FIG. 1;  
and,  
FIG. 5 is a bottom view of the herb grinder as shown in FIG.  
1.

**1 Claim, 5 Drawing Sheets**



(56)

**References Cited**

U.S. PATENT DOCUMENTS

D900,530 S \* 11/2020 Kim ..... D7/373  
2015/0298135 A1 10/2015 Spielman  
2016/0100715 A1 4/2016 Staiano et al.  
2016/0106262 A1 4/2016 Mroue  
2017/0135524 A1 5/2017 Moneta et al.  
2018/0126386 A1 5/2018 Witko et al.  
2020/0187716 A1\* 6/2020 Ashton ..... A47J 42/14  
2020/0237158 A1\* 7/2020 Gorodetzer ..... A47J 42/38  
2020/0323393 A1\* 10/2020 Ashton ..... A47J 42/14  
2020/0367695 A1\* 11/2020 Staiano ..... A47J 42/40  
2021/0023568 A1\* 1/2021 Huang ..... A24C 5/40

FOREIGN PATENT DOCUMENTS

GB 6046068 10/2018  
GB 6046069 10/2018  
GB 6046070 10/2018  
GB 2574818 A 12/2019  
WO 2019/243803 A1 12/2019

OTHER PUBLICATIONS

International Search Report issued for PCT/GB2019/051701, dated Dec. 9, 2019, 5 pp.  
Written Opinion issued for PCT/GB2019/051701, dated Dec. 9, 2019, 9 pp.  
Canadian Examination Report issued for CA Appl. No. 188818, Sep. 15, 2020, 2 pp.

\* cited by examiner

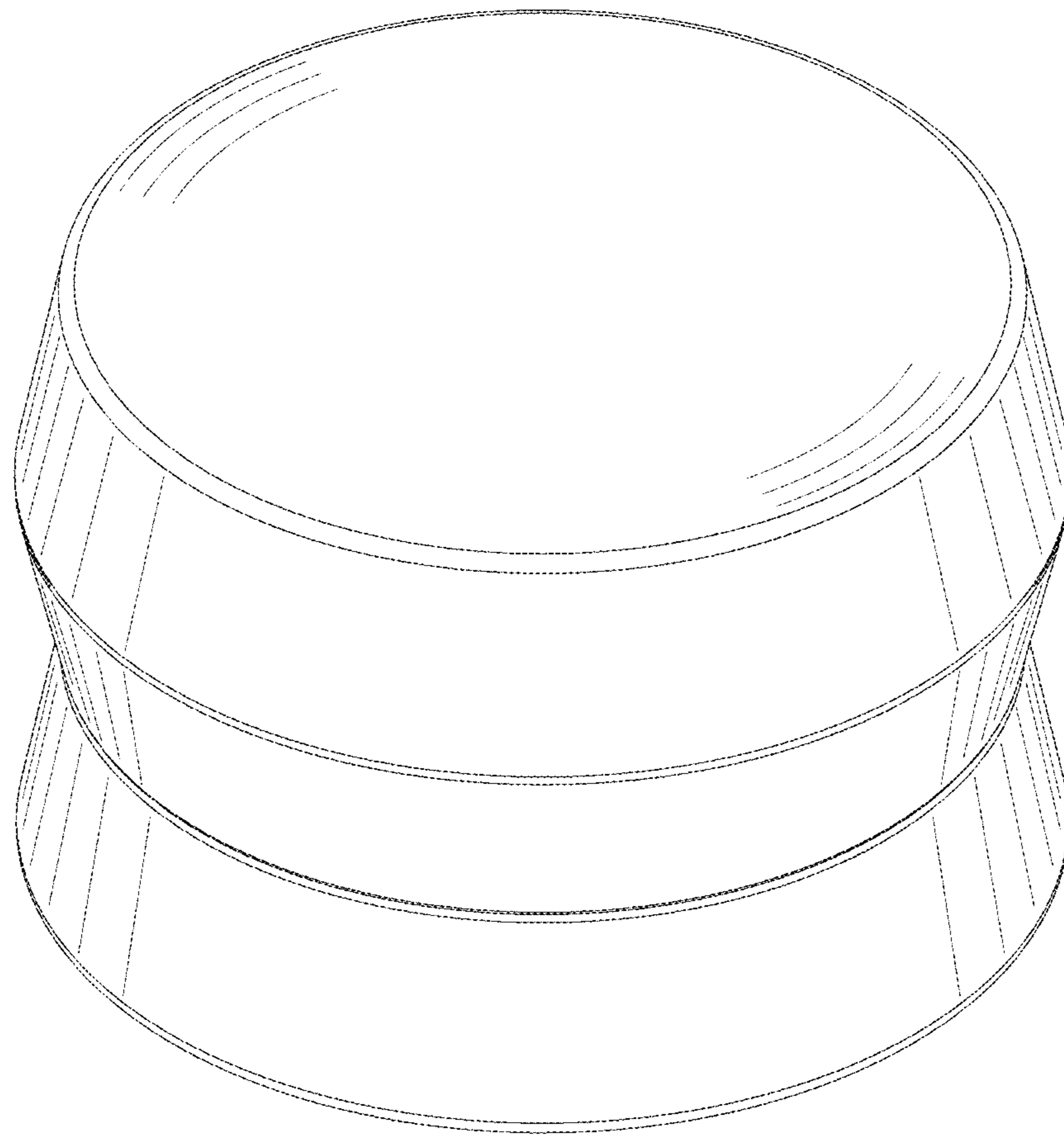


FIG. 1

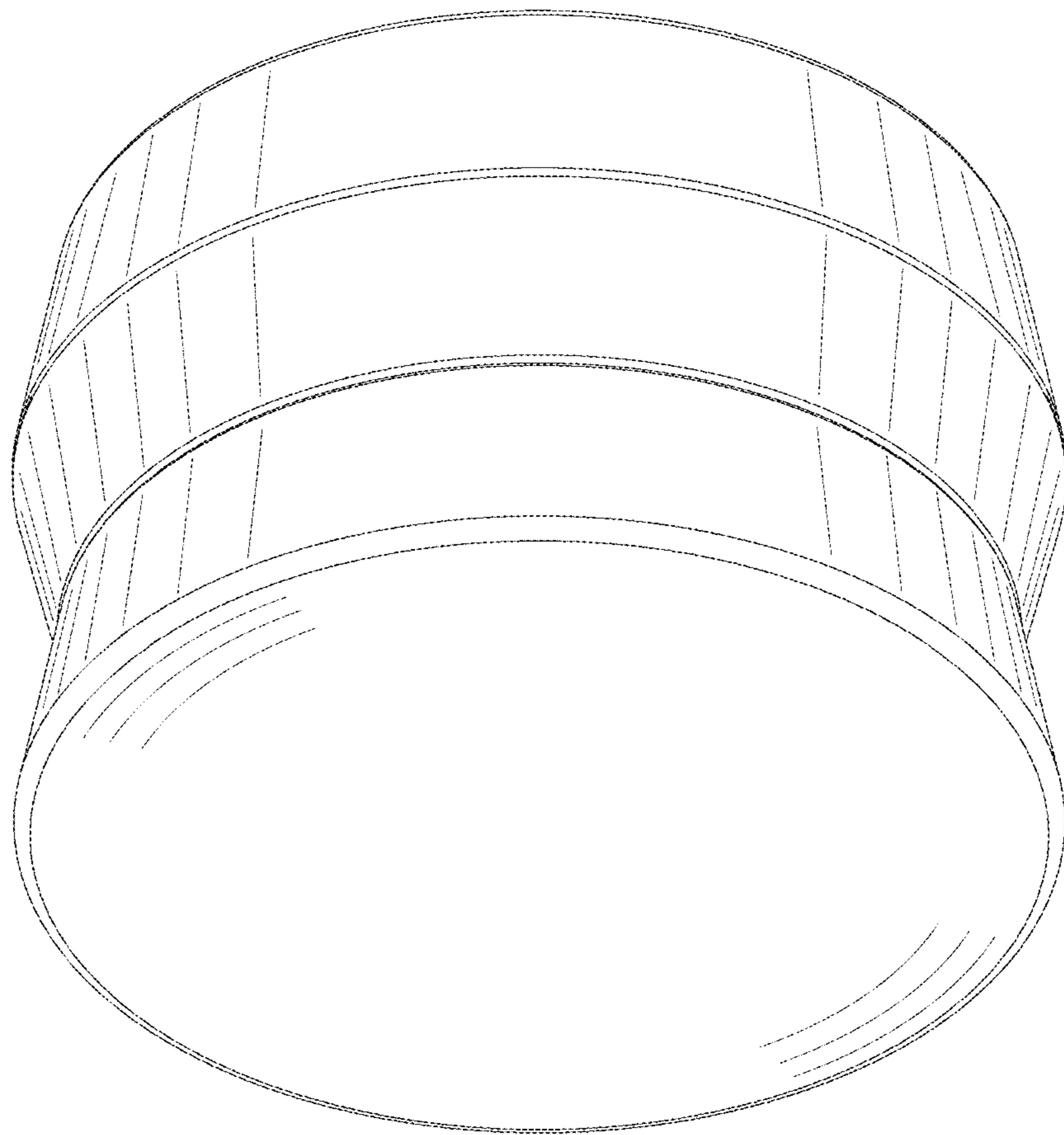


FIG. 2

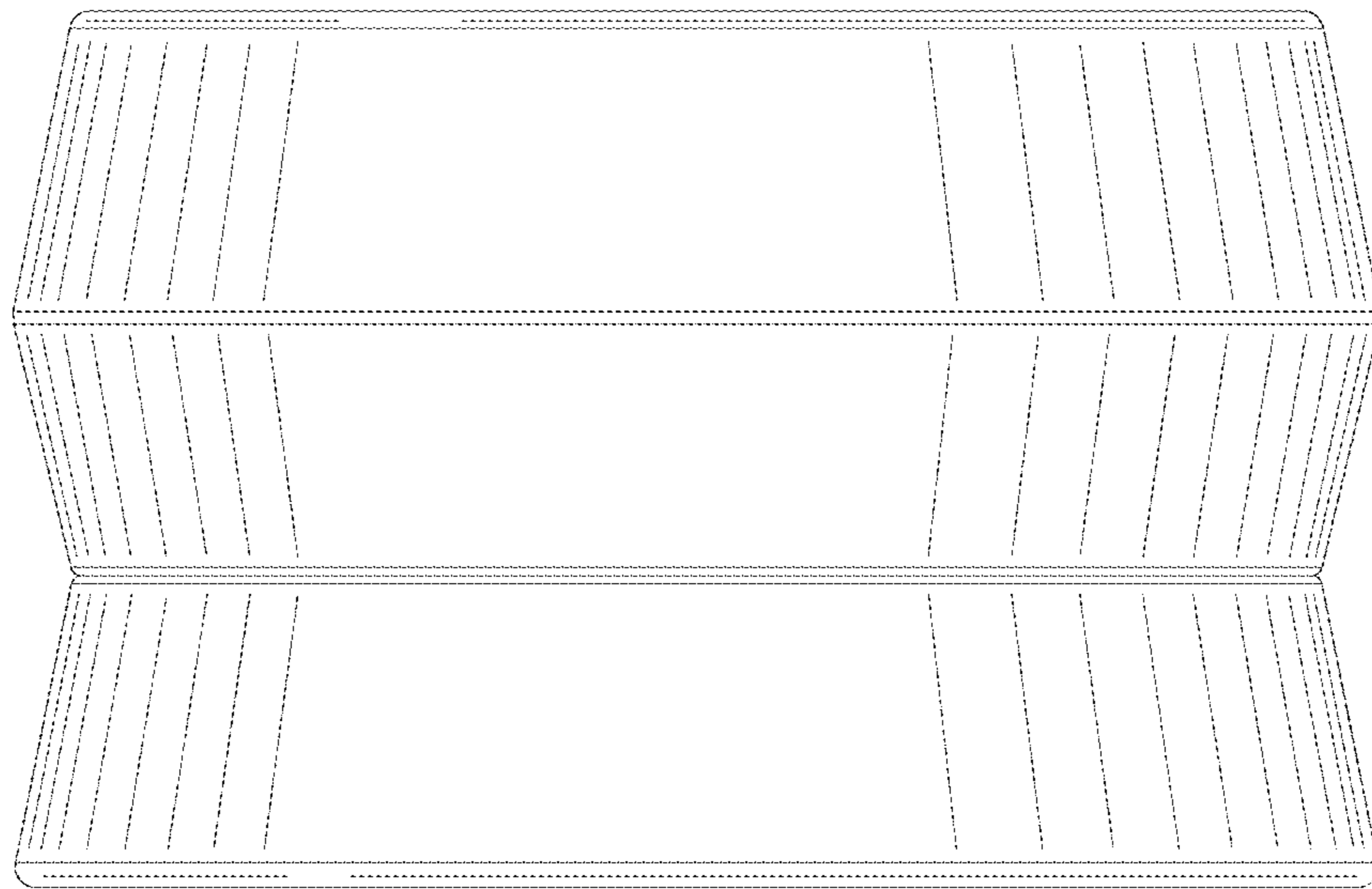


FIG. 3

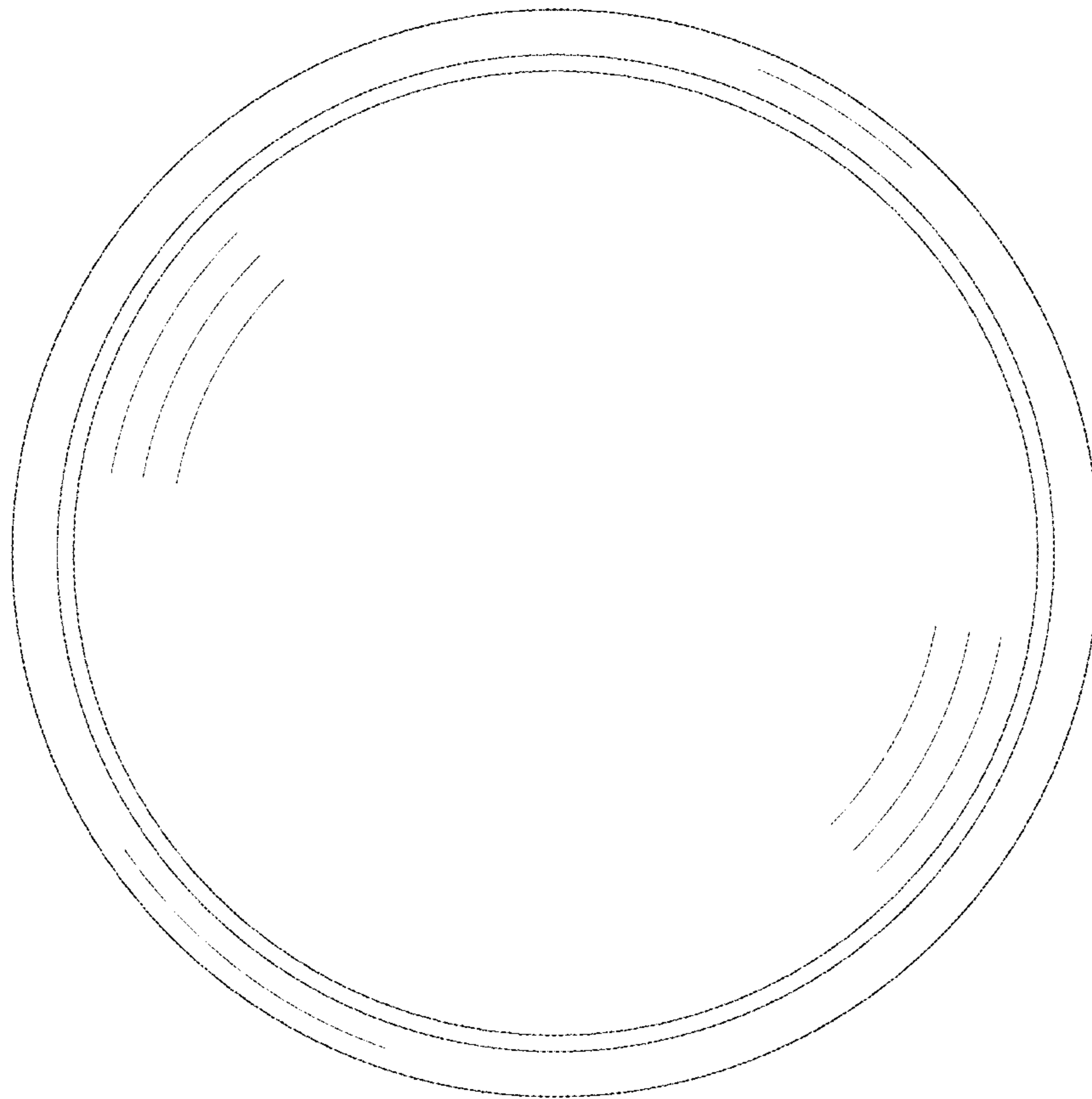


FIG. 4

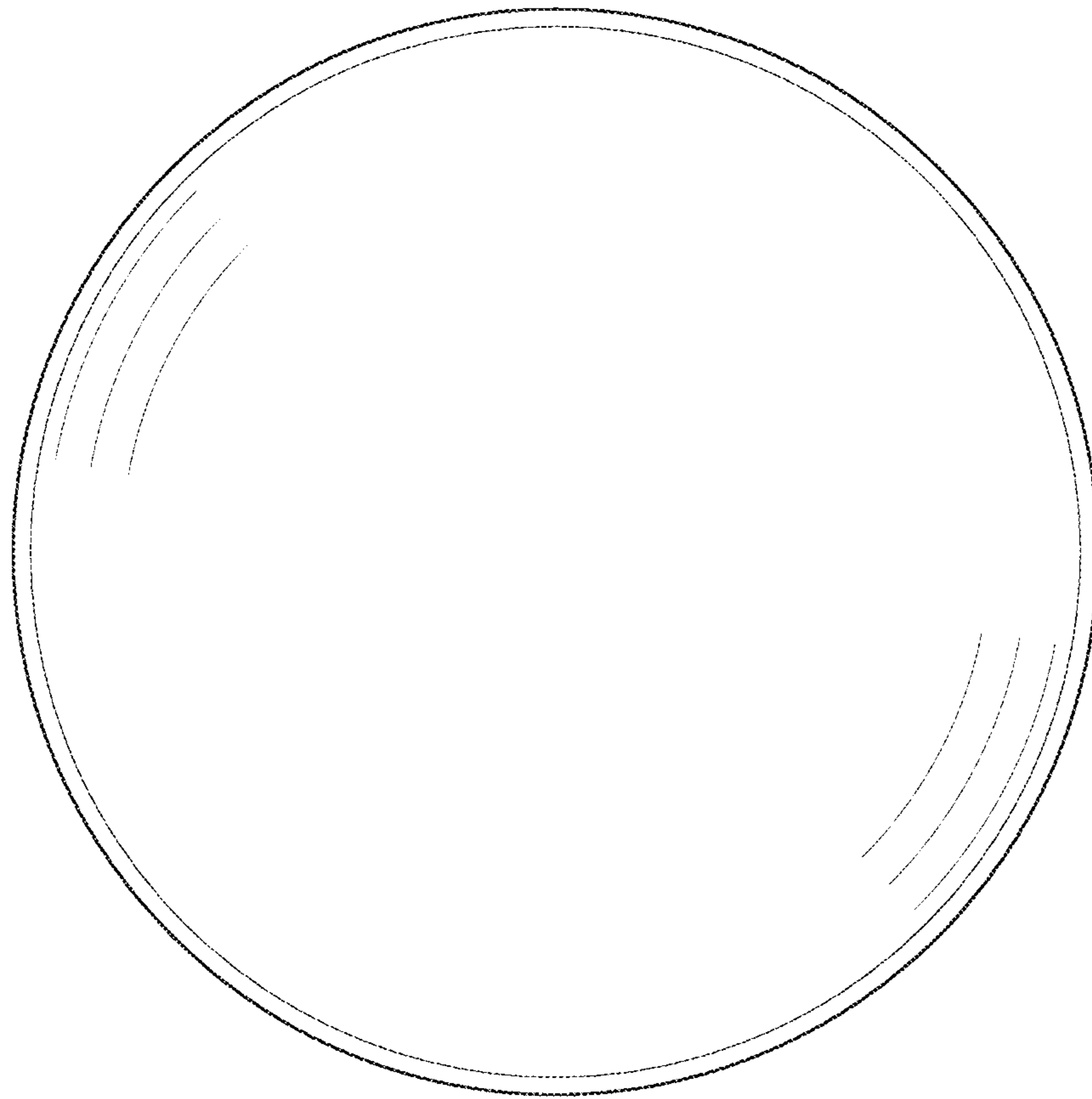


FIG. 5