



US00D919383S

(12) **United States Design Patent**
Smith

(10) **Patent No.:** **US D919,383 S**

(45) **Date of Patent:** **** May 18, 2021**

- (54) **BUTTERFLYING HOT DOG SLICER**
- (71) Applicant: **W. Reed Smith**, Metairie, LA (US)
- (72) Inventor: **W. Reed Smith**, Metairie, LA (US)
- (**) Term: **15 Years**
- (21) Appl. No.: **29/719,724**
- (22) Filed: **Jan. 7, 2020**
- (51) **LOC (13) Cl.** **07-04**
- (52) **U.S. Cl.**
USPC **D7/676**
- (58) **Field of Classification Search**
USPC D7/368, 381, 387, 389, 500, 502, 504,
D7/669, 670, 672-677, 679, 693
CPC A21C 11/106; A47G 19/265; A47G 19/30;
A47G 2019/306; A47G 2021/002; A47G
21/001; A47G 21/004; A47G 21/005;
A47J 9/00; A47J 17/00; A47J 17/02;
A47J 17/04; A47J 17/10; B26B 5/008;
B26D 3/11; B26D 3/18; B26D 3/185;
B26D 3/26; B26D 3/28; B26D 3/283;
B26D 2003/285-288; B26D 2210/02;
B26D 2210/04; B26F 1/40; B26F 1/44;
B65D 5/18; B65D 75/14
See application file for complete search history.

- (56) **References Cited**
U.S. PATENT DOCUMENTS
2,520,000 A 8/1950 Dettman
2,675,580 A 4/1954 Pesce

D284,441 S	7/1986	Way	
6,805,031 B1 *	10/2004	Stallato B26B 29/063 83/452
7,065,880 B2	6/2006	Howman et al.	
7,258,053 B2	8/2007	Suer et al.	
7,340,835 B2	3/2008	Howman et al.	
D670,140 S	11/2012	Kavanaugh et al.	
D706,092 S	6/2014	Pavlak	
D905,234 S *	12/2020	Nock A47J 43/28 D24/127
2008/0201956 A1	8/2008	Bouton et al.	
2014/0113046 A1 *	4/2014	Schwartz A47J 43/28 426/479

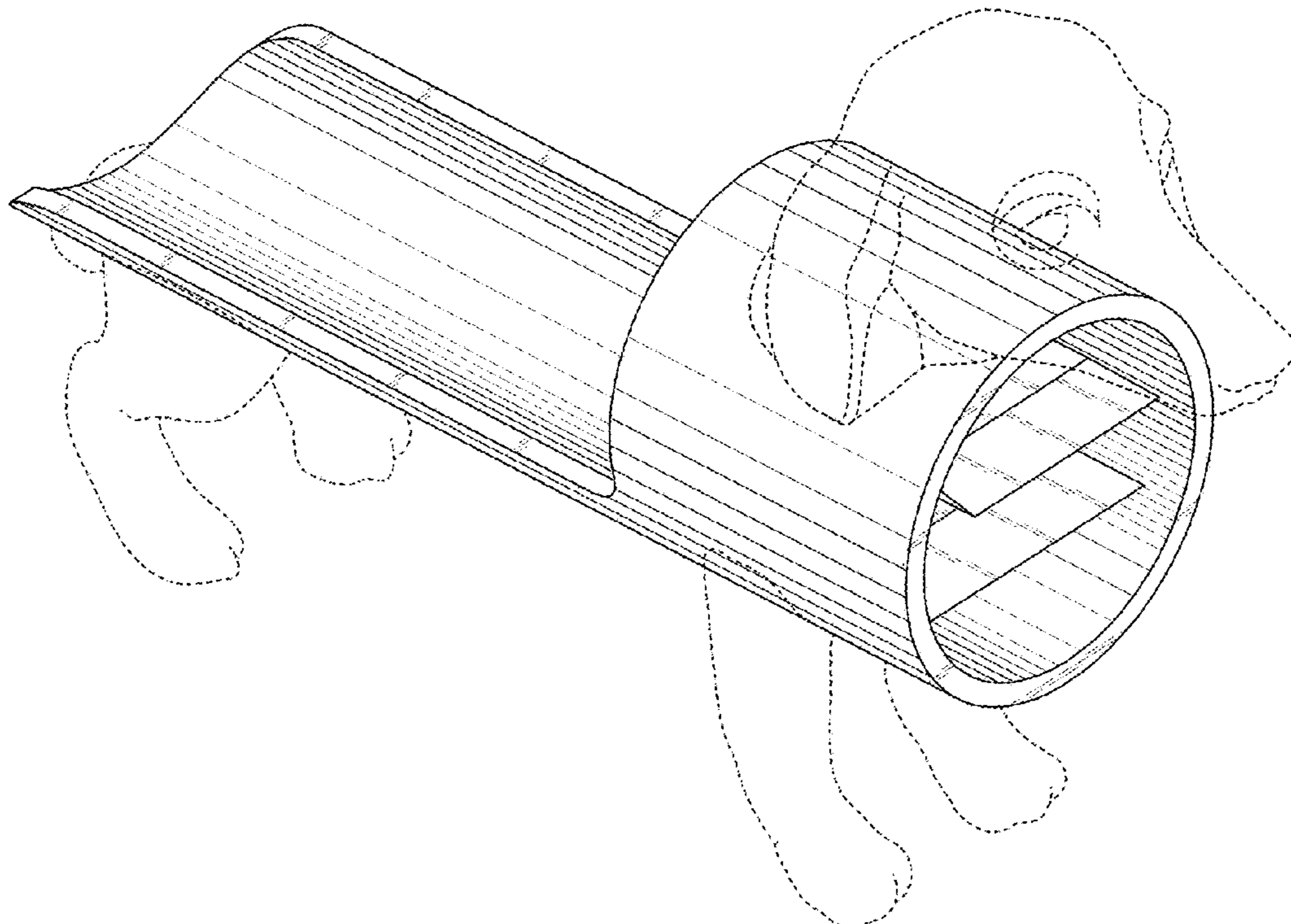
* cited by examiner

Primary Examiner — Mary Ann Calabrese
Assistant Examiner — Natalya M Rapundalo
(74) *Attorney, Agent, or Firm* — Intellectual Property Consulting, LLC; Adam V. Vickers

(57) **CLAIM**
The ornamental design for a butterflying hot dog slicer, as shown and described.

DESCRIPTION
FIG. 1 is a perspective view of one side and the front of the butterflying hot dog slicer according to my new design; FIG. 2 is a front elevation view thereof; FIG. 3 is a back elevation view thereof; FIG. 4 is a left side elevation view thereof; FIG. 5 is a right side elevation view thereof; FIG. 6 is a top plan view thereof; and, FIG. 7 is a bottom plan view thereof. The dashed lines shown in the drawings illustrate environmental structure and form no part of the claimed design.

1 Claim, 7 Drawing Sheets



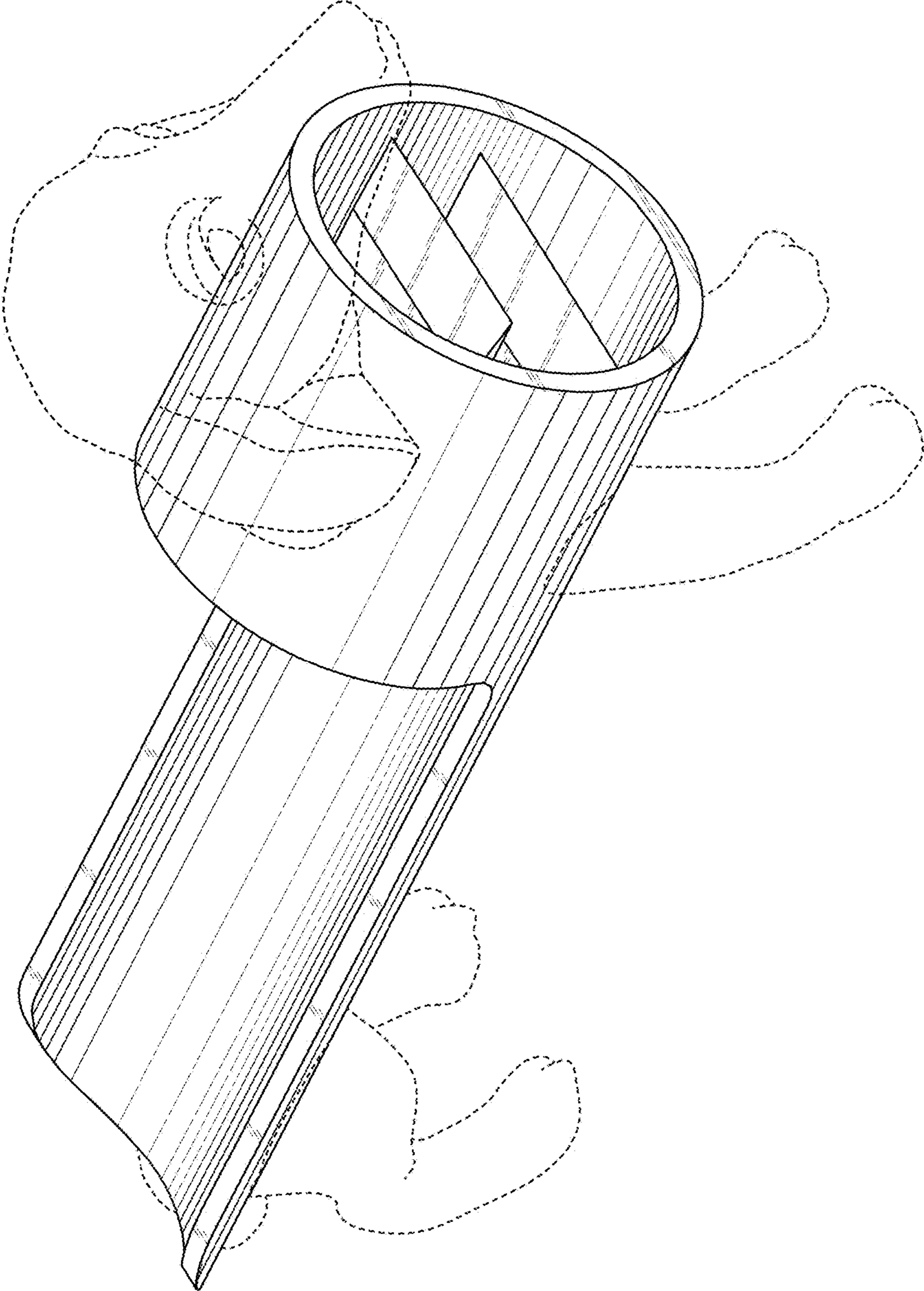


FIG. 1

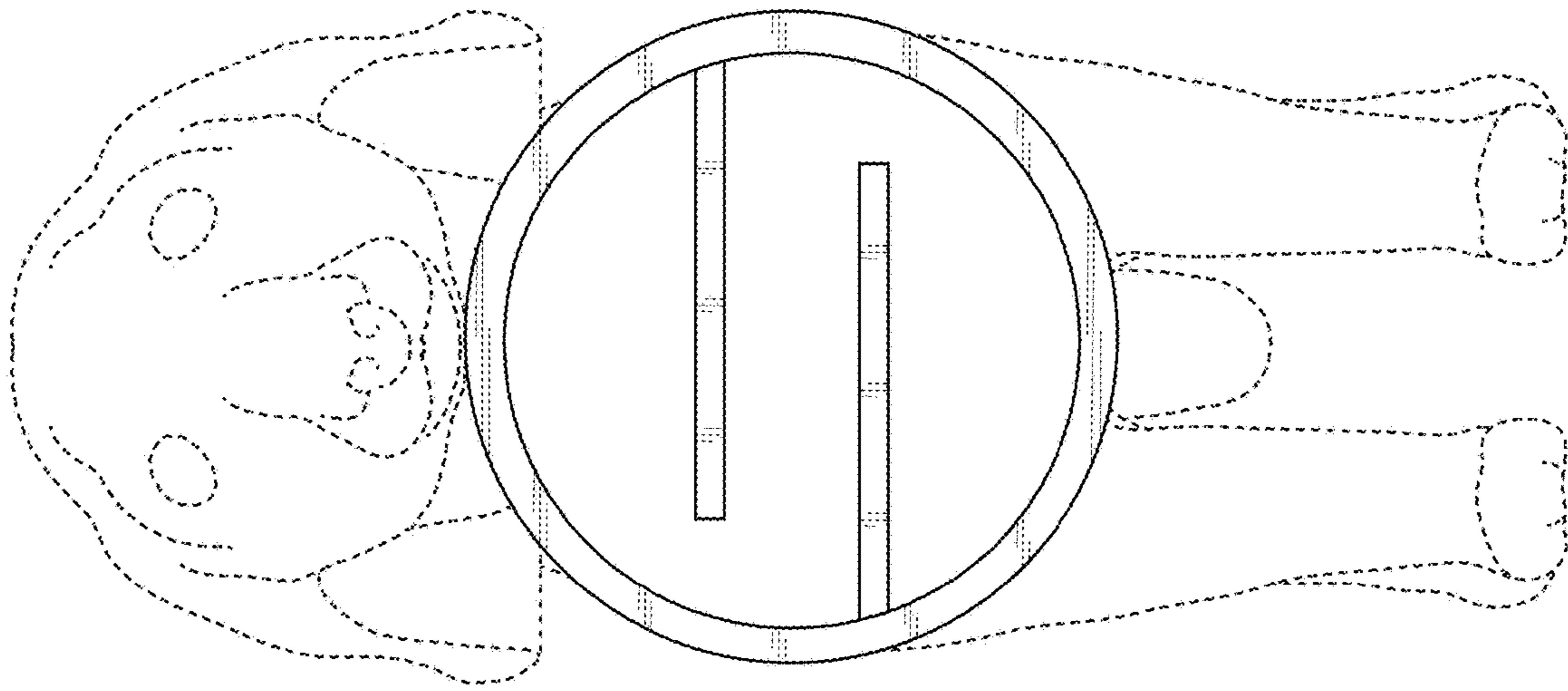


FIG. 2

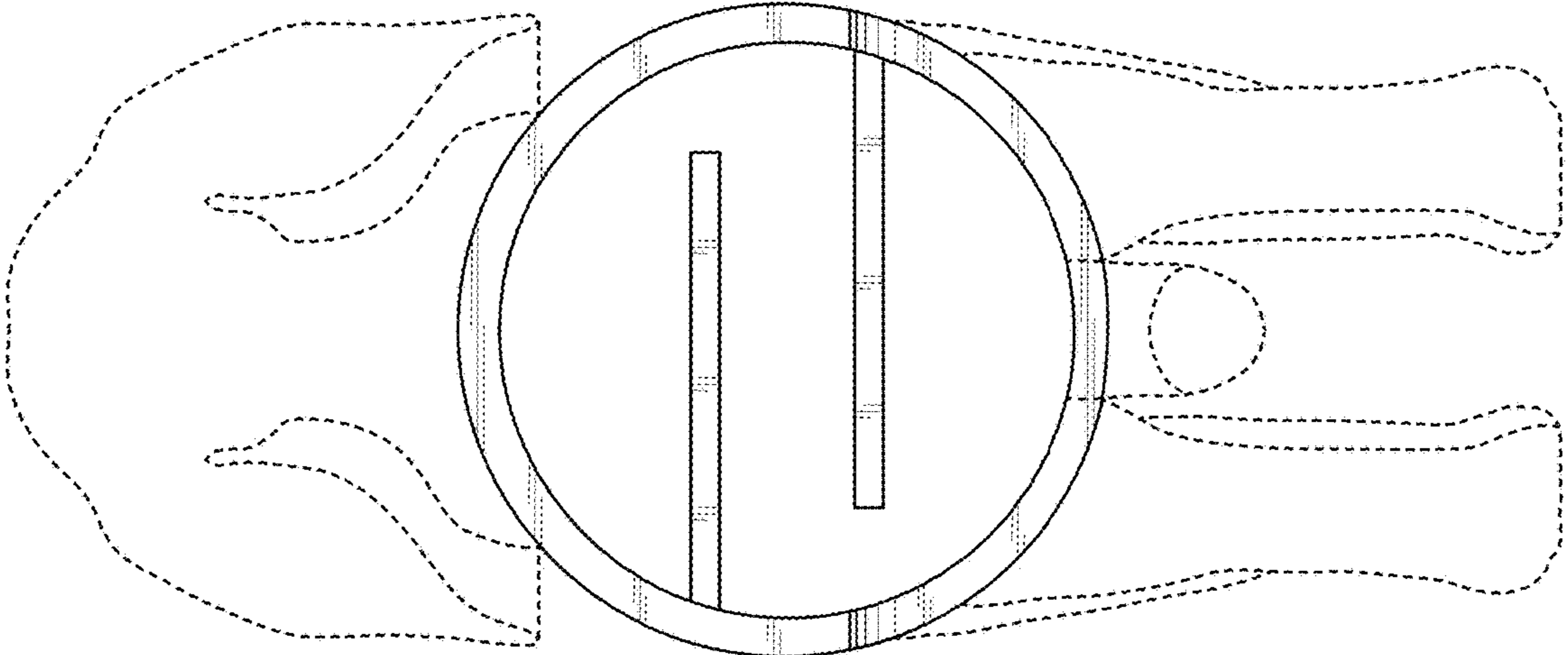


FIG. 3

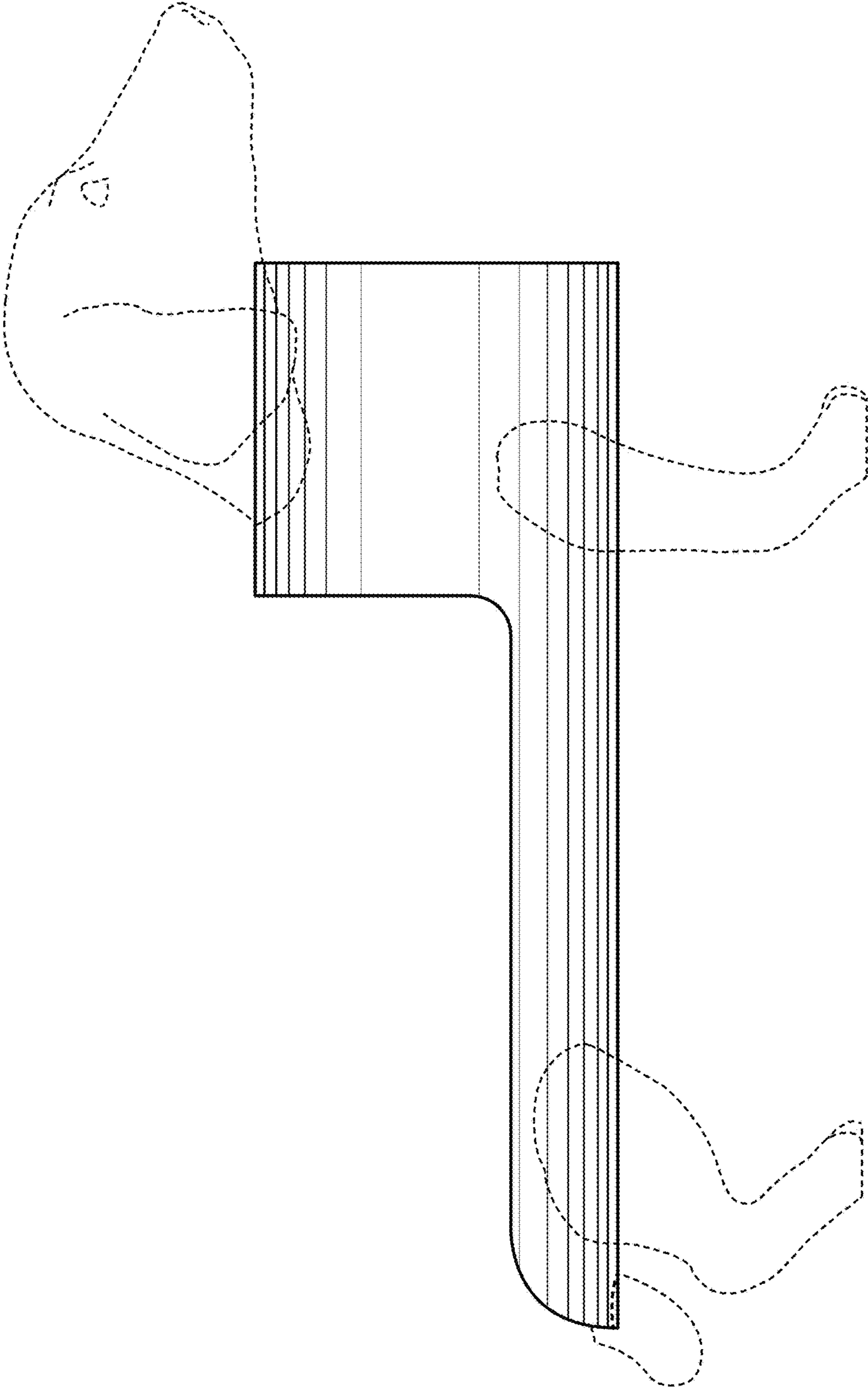


FIG. 4

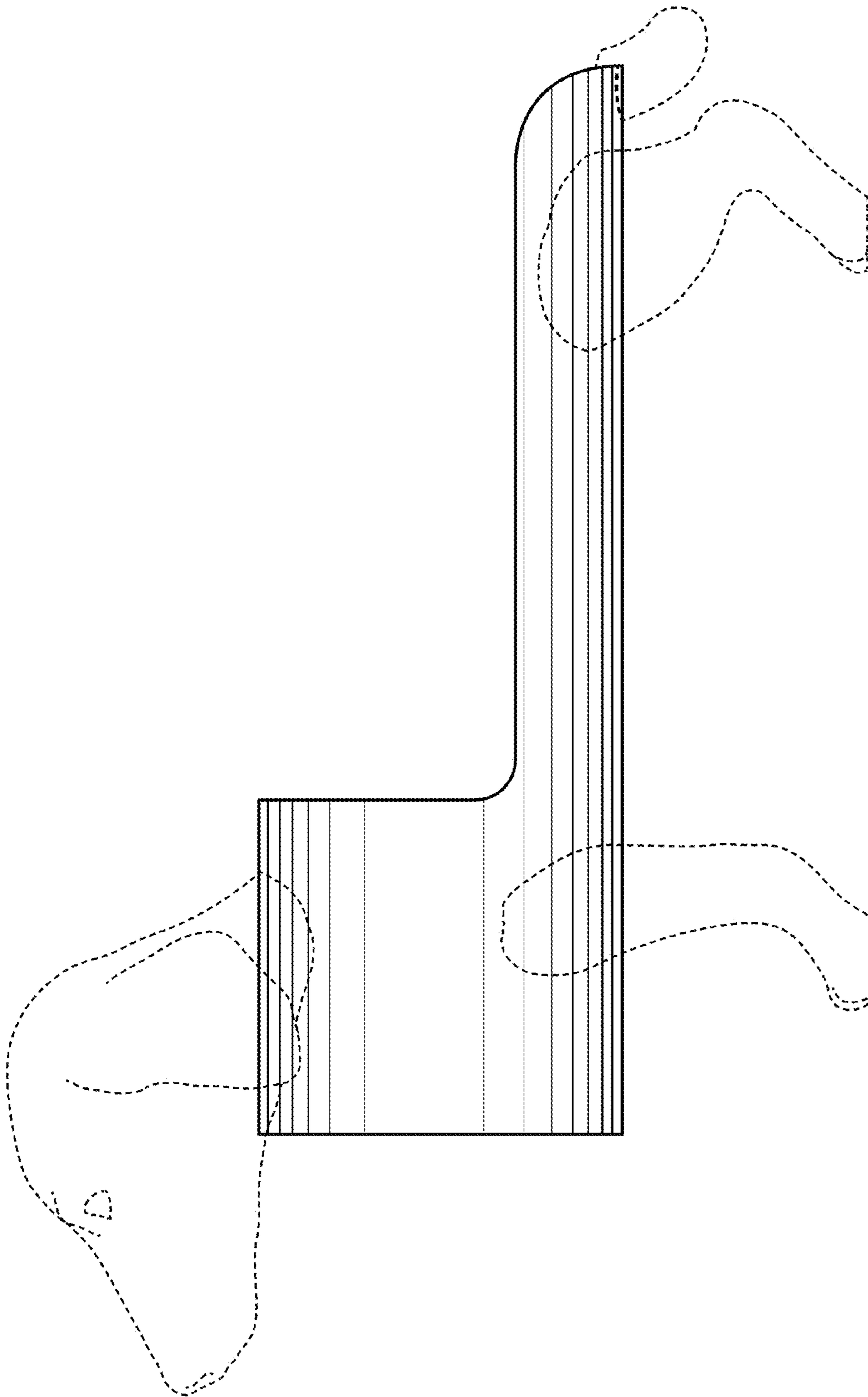


FIG. 5

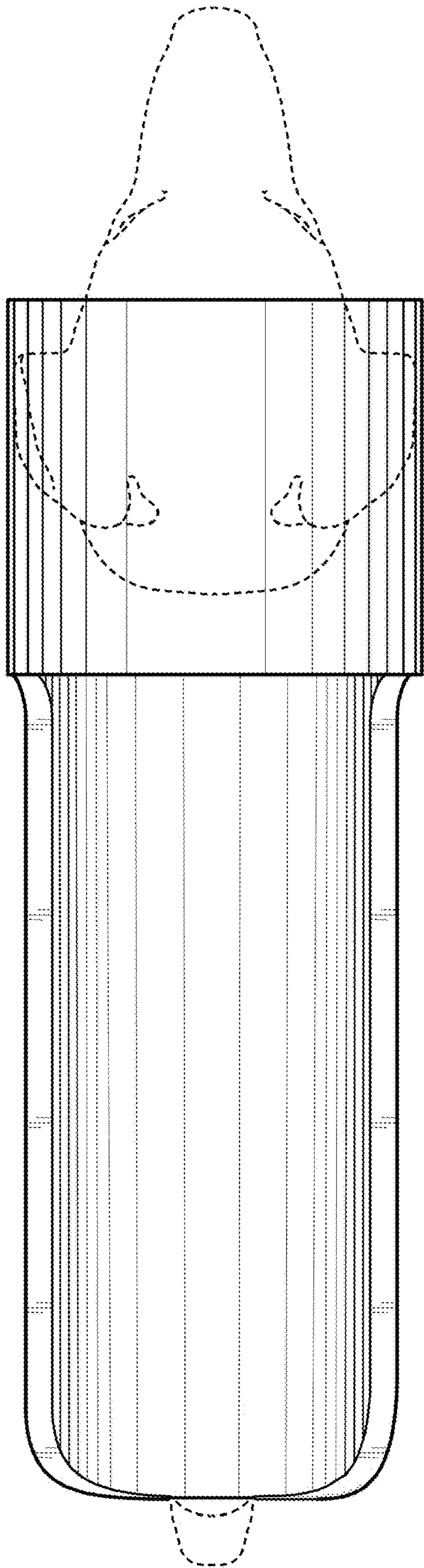


FIG. 6

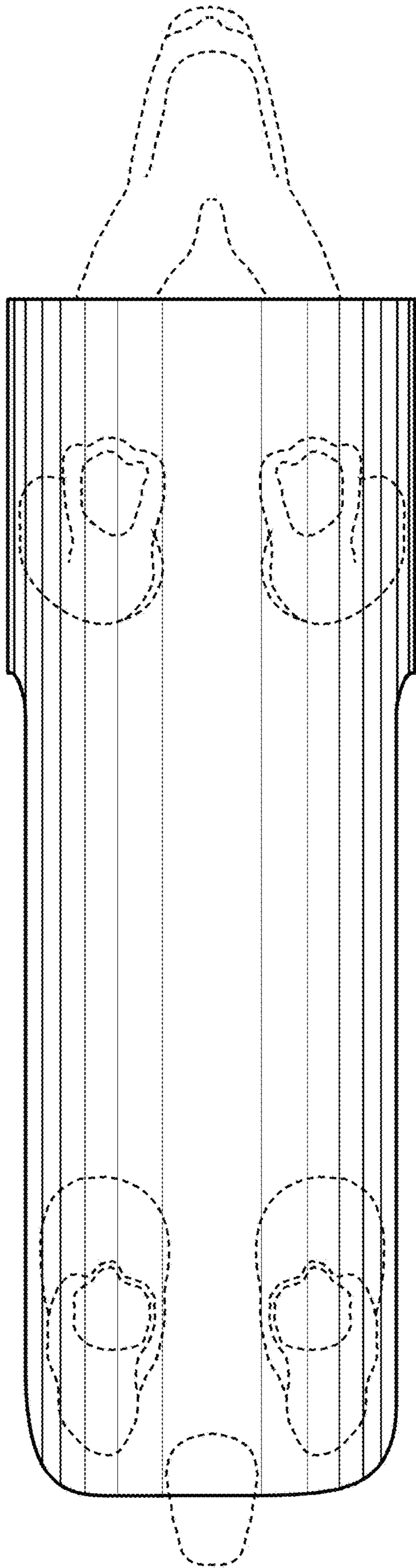


FIG. 7