



US00D919382S

(12) **United States Design Patent**
Klipshtein

(10) **Patent No.:** **US D919,382 S**

(45) **Date of Patent:** **** May 18, 2021**

(54) **CAKE LAYER SLICER**

(71) Applicant: **Hutzler Manufacturing Co., Inc.**,
Canaan, CT (US)

(72) Inventor: **Guy Klipshtein**, Givatayim (IL)

(73) Assignee: **Hutzler Manufacturing Co., Inc.**,
Canaan, CT (US)

(**) Term: **15 Years**

(21) Appl. No.: **29/680,500**

(22) Filed: **Feb. 15, 2019**

(51) **LOC (13) Cl.** **07-04**

(52) **U.S. Cl.**
USPC **D7/673**

(58) **Field of Classification Search**
USPC D7/672–677, 669, 381, 698, 693, 412,
D7/368; D8/71; 30/114, 303, 289;
83/762
CPC B26B 29/06; B26B 29/063; B26B 3/04;
B26B 5/008; B26D 3/185; B26D 3/24;
B26D 3/26; B26D 1/553; Y10T 83/695;
Y10T 83/75; A47J 47/005; A21C 15/04;
A21C 11/106; A21C 11/22

See application file for complete search history.

(56) **References Cited**

U.S. PATENT DOCUMENTS

- 4,094,221 A * 6/1978 Jacoby B26B 29/063
83/34
- D253,329 S * 11/1979 Latham D7/673
- D316,657 S * 5/1991 Mulherin D7/673
- D332,031 S * 12/1992 Haupt D7/673
- 5,499,578 A * 3/1996 Payne B26B 29/063
30/114
- D410,366 S * 6/1999 Chiasson D7/673
- D662,790 S * 7/2012 Rugprayoon D7/674
- D810,520 S * 2/2018 Winn D7/673
- D823,048 S * 7/2018 Phillips-Solomon D7/381

- D842,025 S * 3/2019 Hauser D7/381
- 2011/0232453 A1 * 9/2011 Fackelmann A21C 15/04
83/821
- 2016/0297088 A1 * 10/2016 Slutsky B26B 29/063
- 2017/0080590 A1 * 3/2017 Maslana B26D 3/26

OTHER PUBLICATIONS

Yorwe, 2PCS DIY Cake Slicer, Jul. 18, 2016, Amazon, https://www.amazon.com/Stratification-Auxiliary-Leveler-Kitchen-Fixator/dp/B01IN7H50O?ref_ast_bbp_dp&th=1&psc=1 (Year: 2016).*

* cited by examiner

Primary Examiner — Brett Miller

(74) Attorney, Agent, or Firm — Patent Technologies, LLC; Robert D. Gunderman, Jr.

(57) **CLAIM**

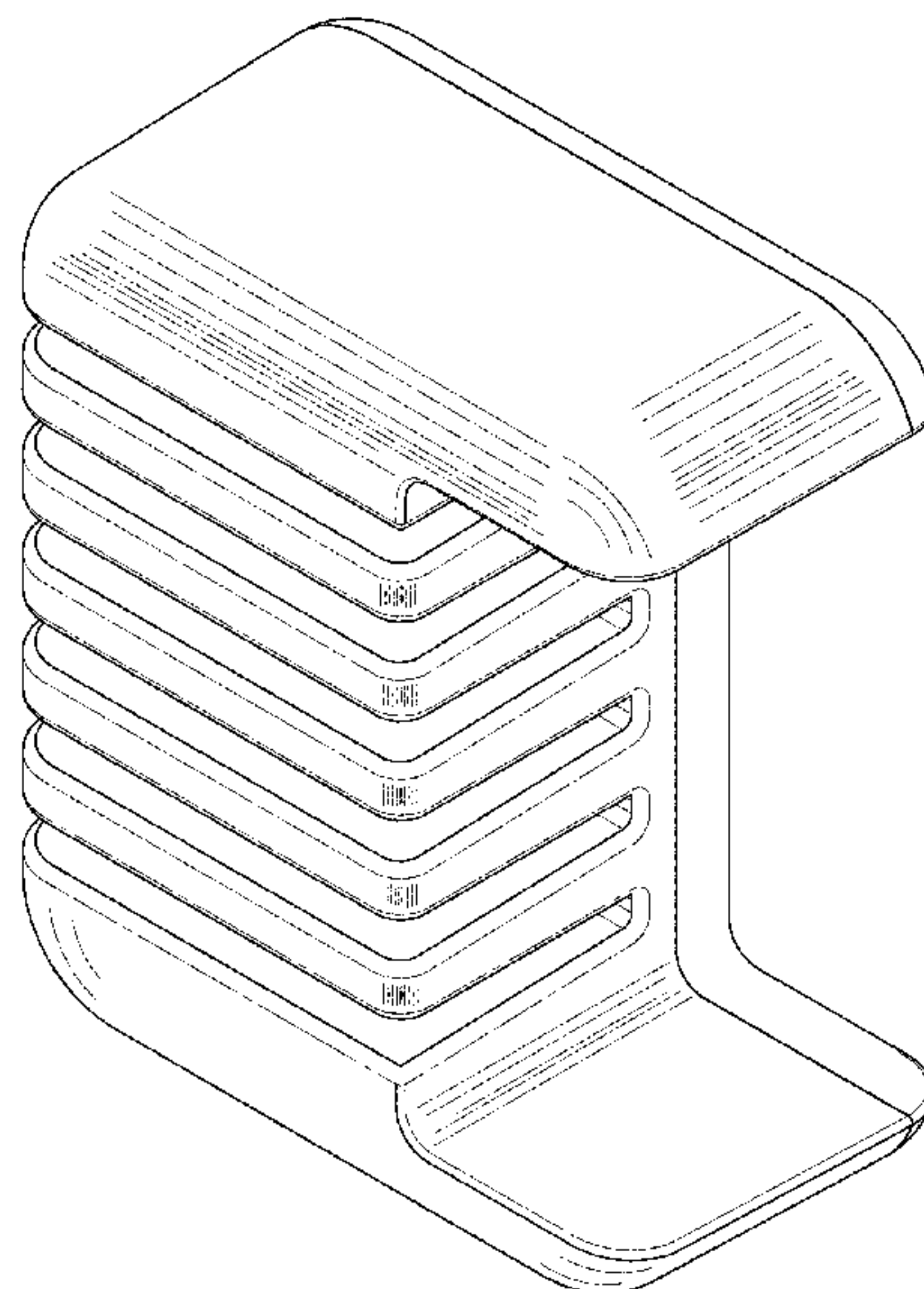
The ornamental design for a cake layer slicer, as shown and described.

DESCRIPTION

FIG. 1 is a top perspective view of a cake layer slicer showing my new design;
 FIG. 2 is a bottom perspective view of the cake layer slicer of FIG. 1;
 FIG. 3 is a side plan view of the cake layer slicer of FIG. 1;
 FIG. 4 is an alternate side plan view of the cake layer slicer of FIG. 1;
 FIG. 5 is a top plan view of the cake layer slicer of FIG. 1;
 FIG. 6 is a bottom plan view of the cake layer slicer of FIG. 1;
 FIG. 7 is a front side plan view of the cake layer slicer of FIG. 1; and,
 FIG. 8 is a back side plan view of the cake layer slicer of FIG. 1.

The broken lines depict portions of the cake layer slicer that form no part of the claimed design.

1 Claim, 8 Drawing Sheets



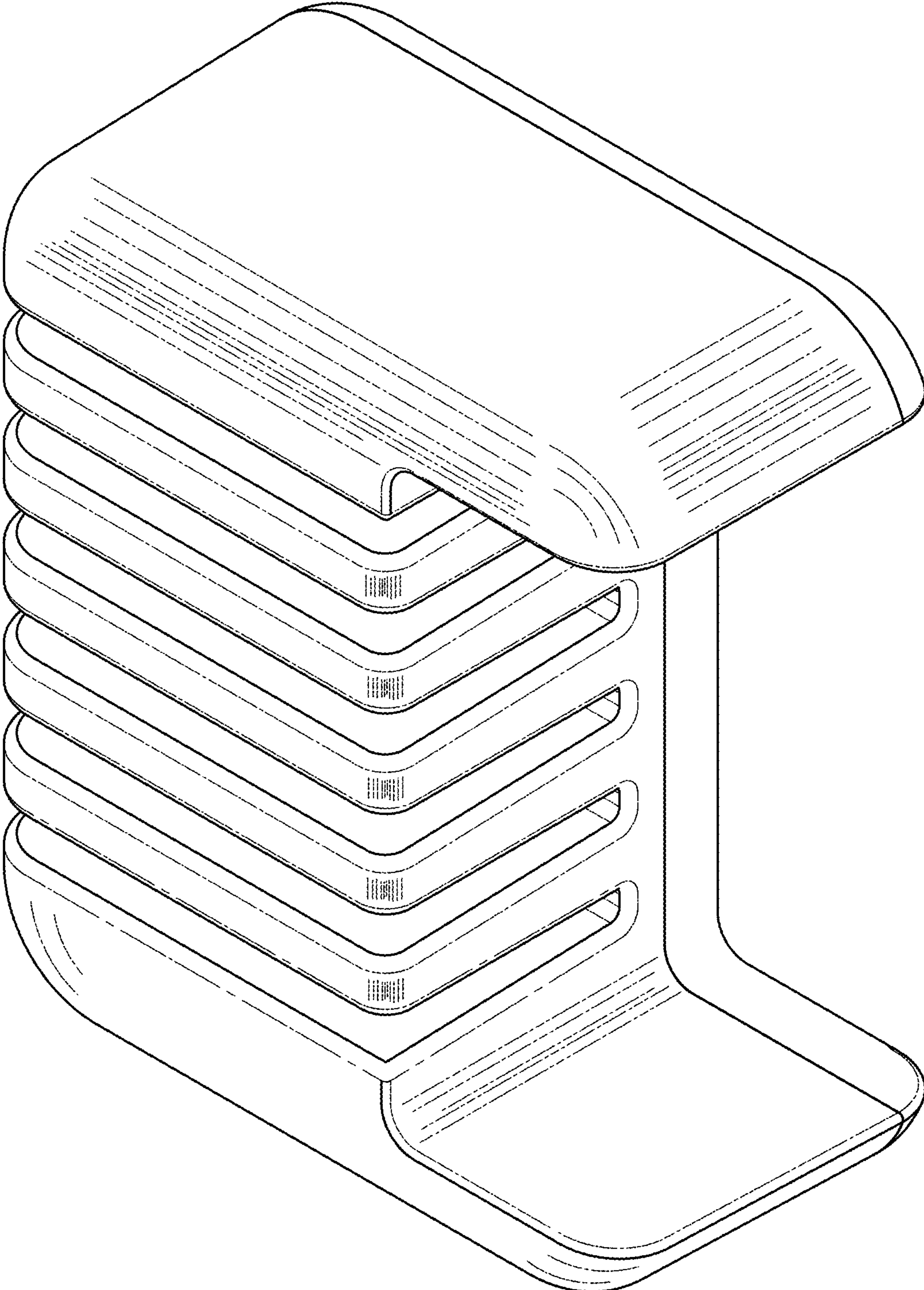


Fig. 1

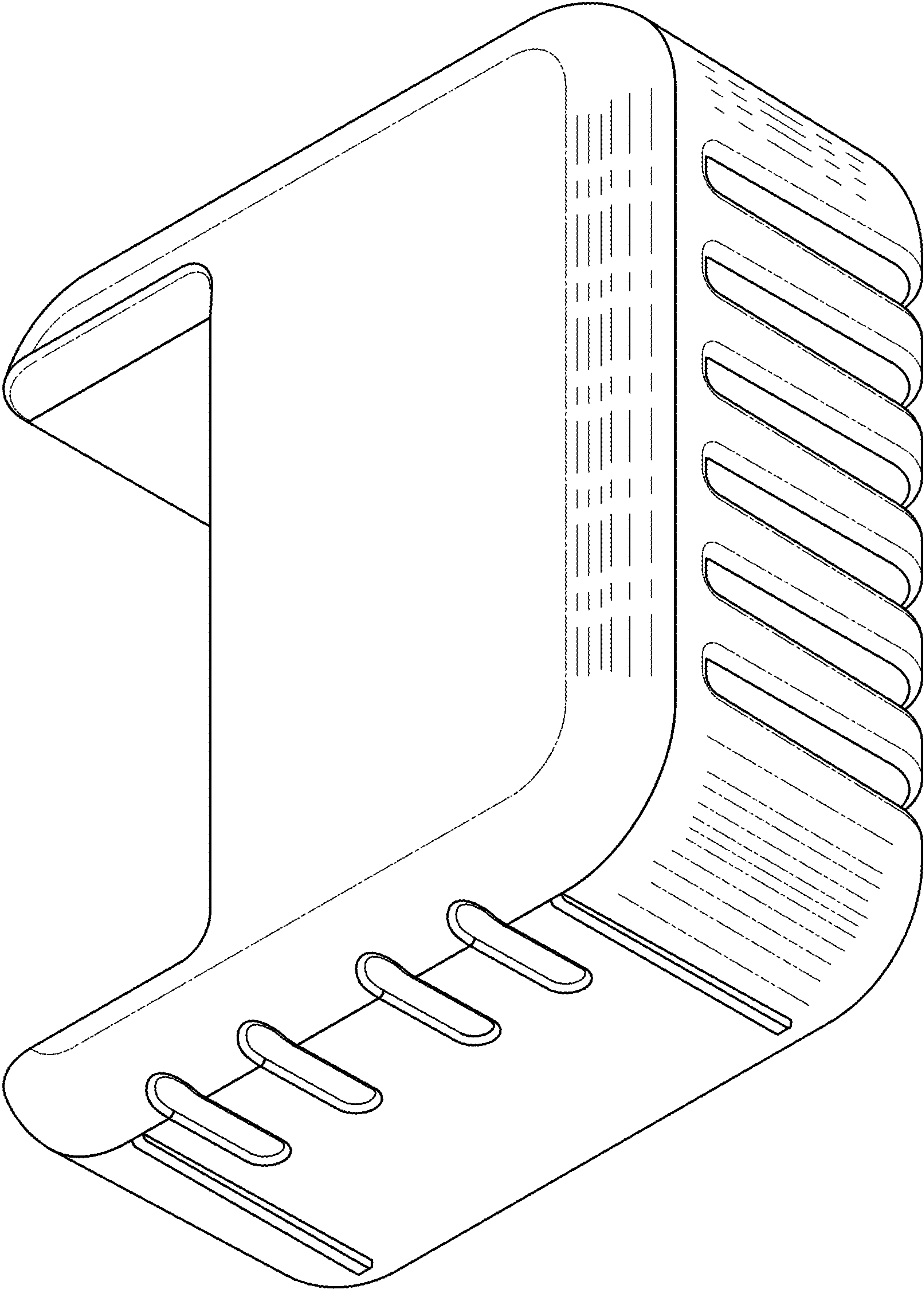


Fig. 2

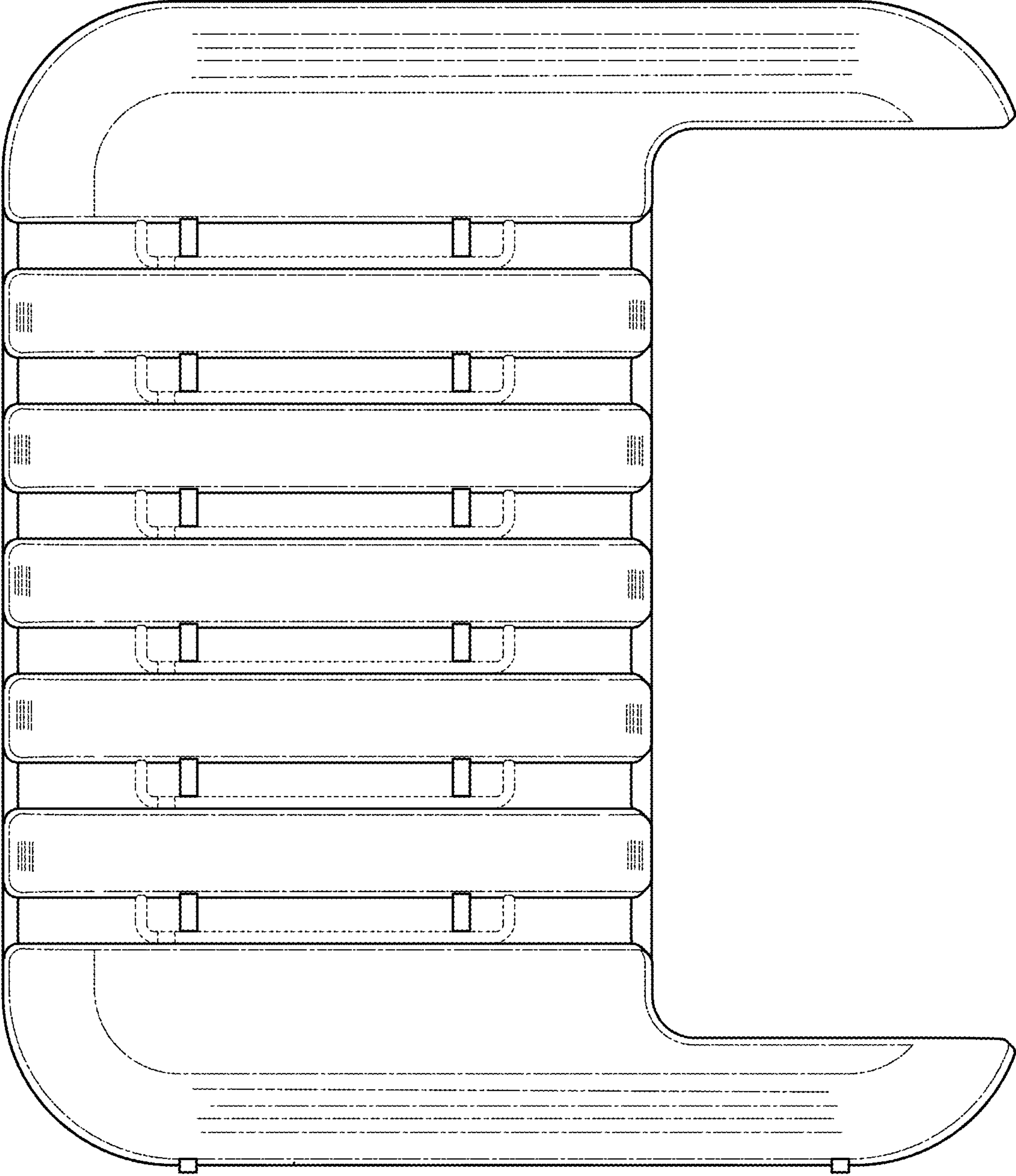


Fig. 3

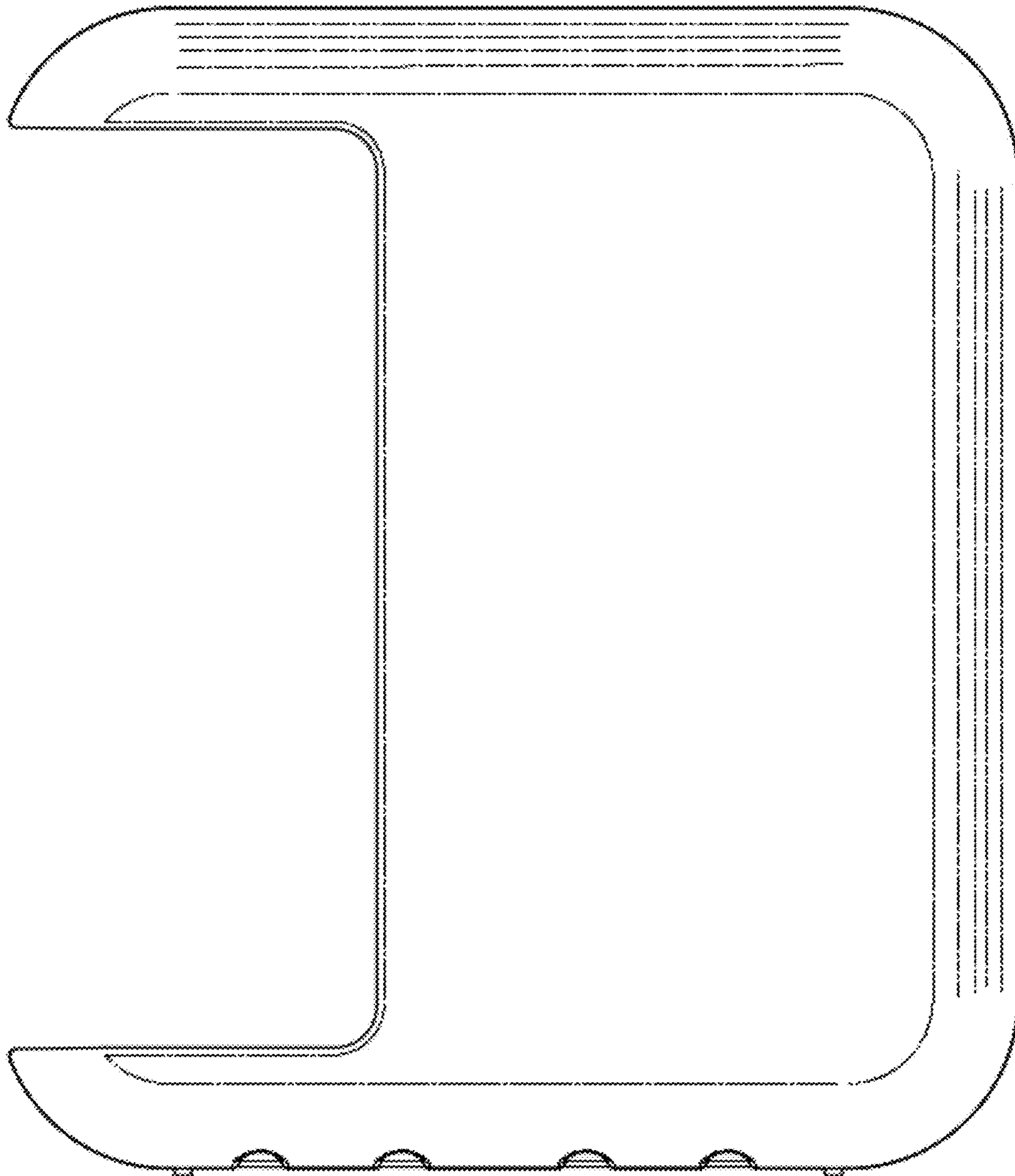


Fig. 4



Fig. 5

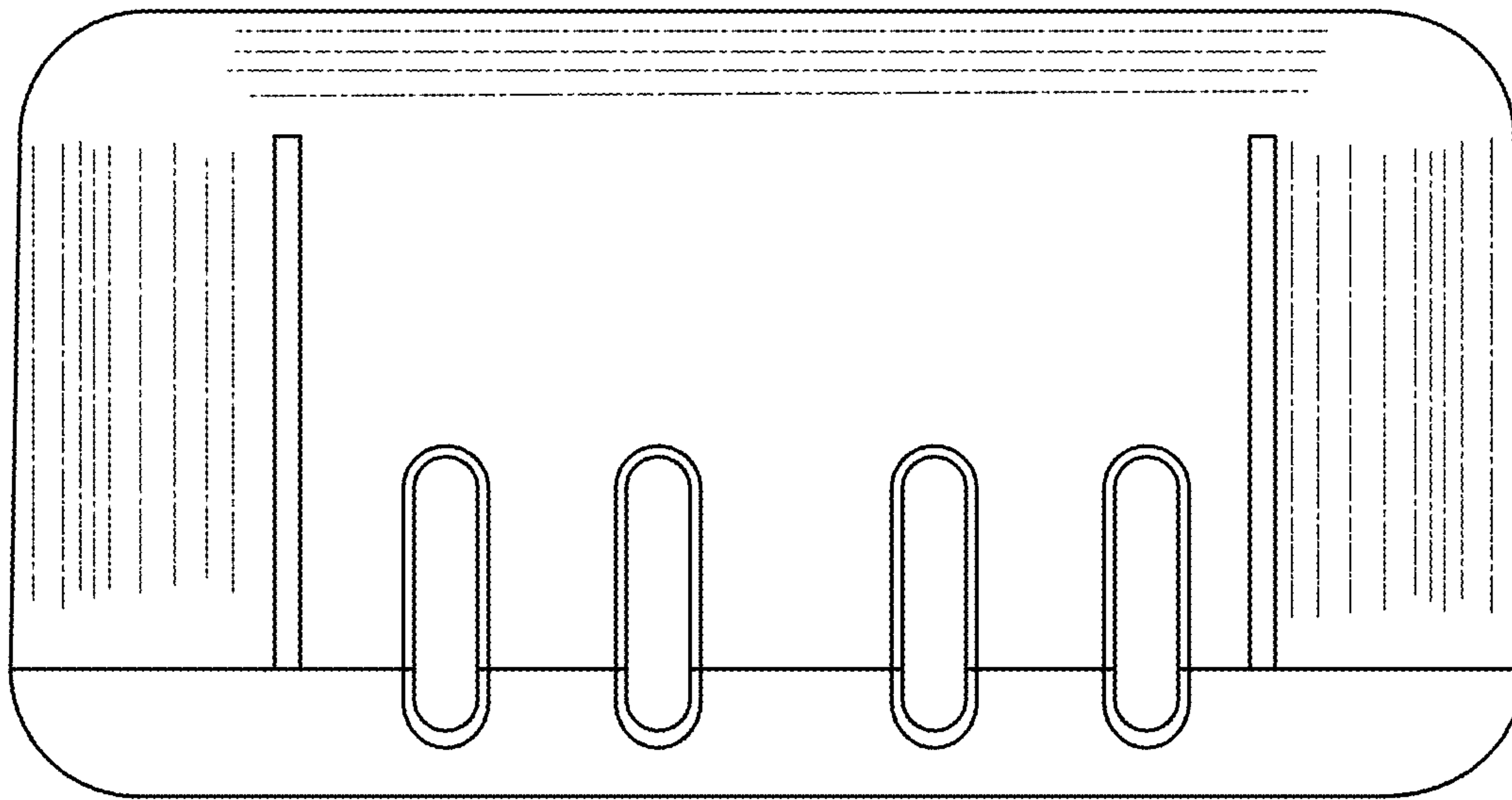


Fig. 6

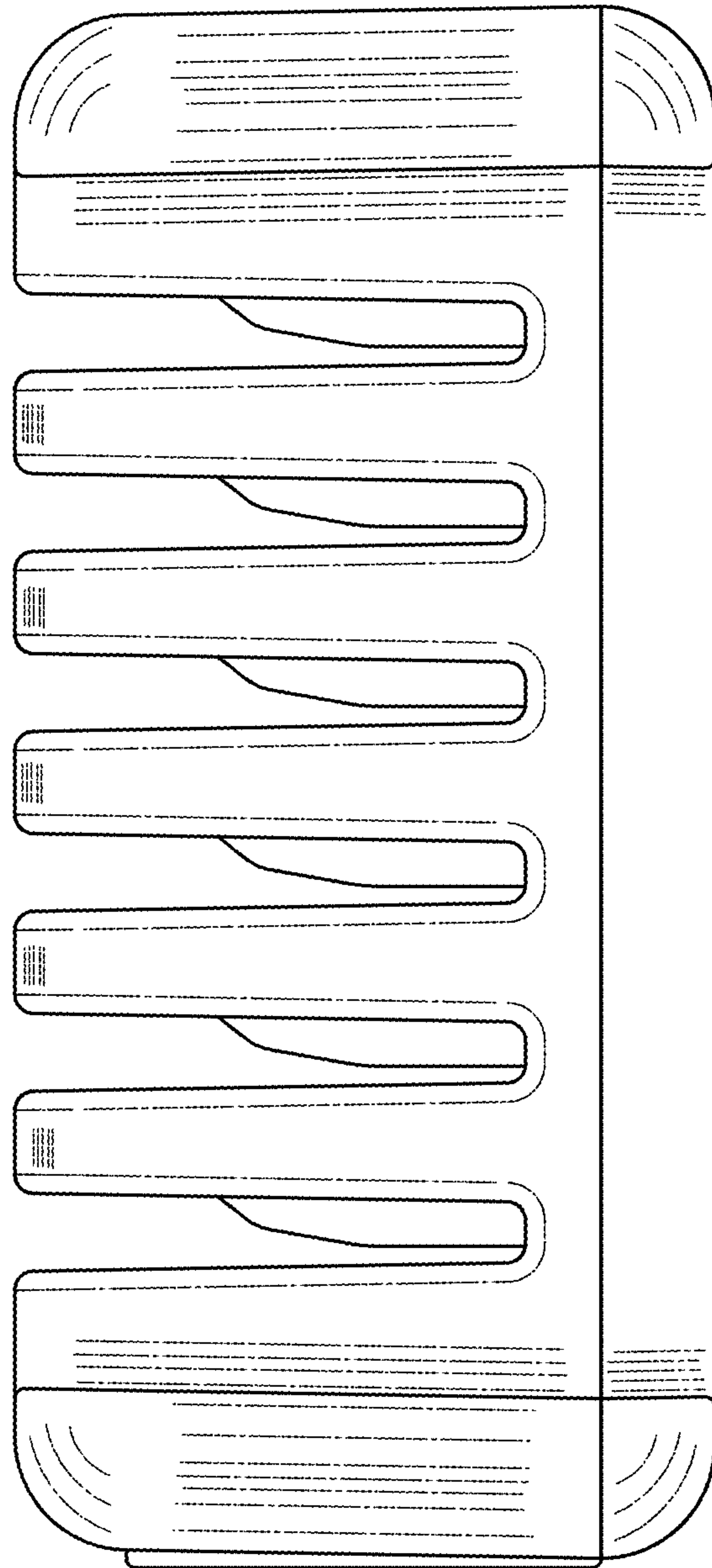


Fig. 7

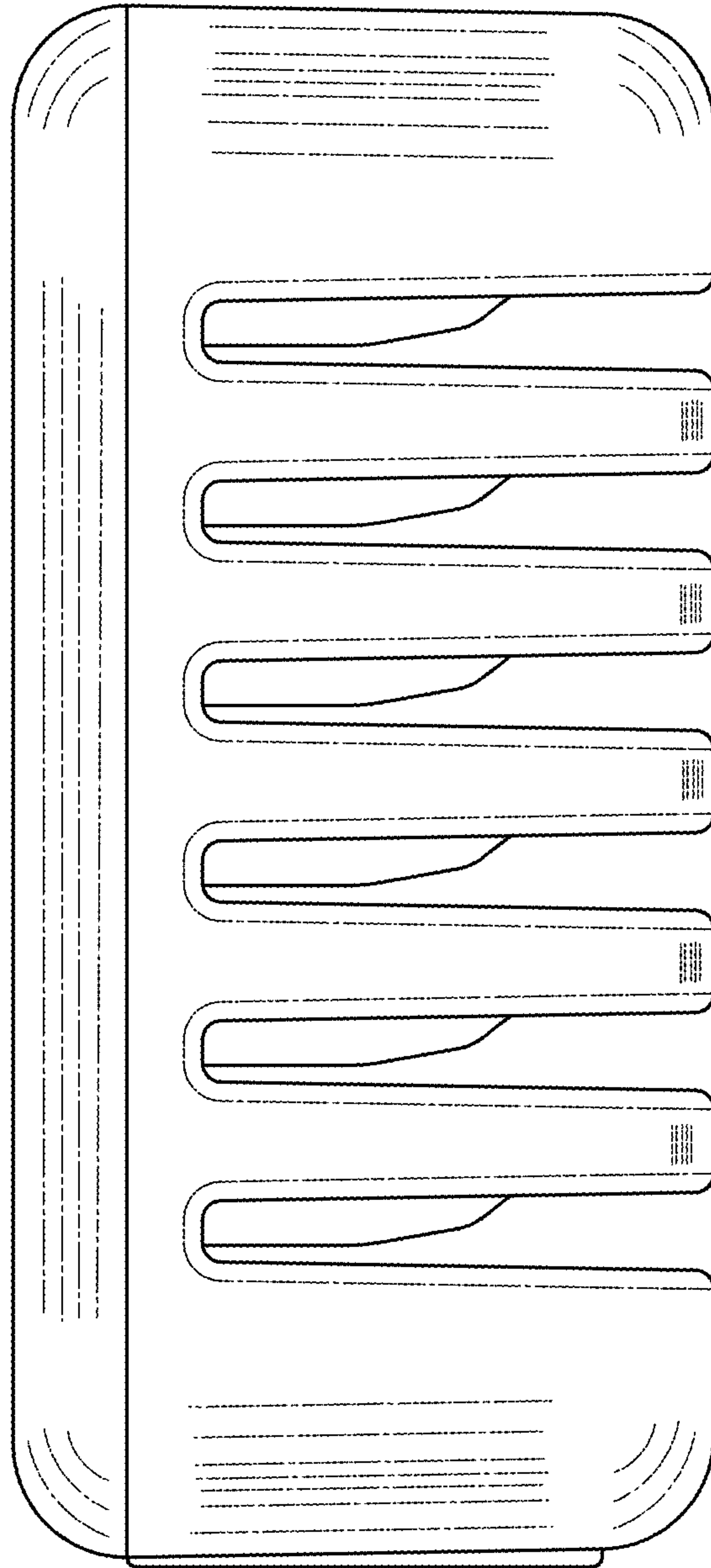


Fig. 8