



US00D919381S

(12) **United States Design Patent** (10) **Patent No.:** **US D919,381 S**
Pope et al. (45) **Date of Patent:** **** May 18, 2021**

(54) **CONDIMENT DISPENSING DEVICE**

(71) Applicant: **Huhtamaki, Inc.**, De Soto, KS (US)
(72) Inventors: **Stephen M. Pope**, Lenexa, KS (US);
Scott L. Wayland, Merriam, KS (US)

(73) Assignee: **HUHTAMAKI, INC.**, De Soto, KS (US)

(**) Term: **15 Years**

(21) Appl. No.: **29/722,948**

(22) Filed: **Feb. 3, 2020**

Related U.S. Application Data

(62) Division of application No. 29/632,783, filed on Jan. 10, 2018, now Pat. No. Des. 878,168.

(51) **LOC (13) Cl.** **07-04**

(52) **U.S. Cl.**
USPC **D7/672**

(58) **Field of Classification Search**
USPC D8/14, 14.1, 51, 68; D7/669, 677, 672
CPC B05C 1/00; B05C 17/00; B05C 17/01;
B05C 17/0016; B05C 17/0123; B05C
21/00

See application file for complete search history.

(56) **References Cited**

U.S. PATENT DOCUMENTS

- 3,884,396 A 5/1975 Gordon et al.
- 4,269,330 A 5/1981 Johnson
- 4,373,646 A 2/1983 MacEwen
- 4,432,473 A 2/1984 MacEwen
- 4,830,231 A 5/1989 Smith
- D363,405 S 10/1995 Elliott, Sr.
- D388,672 S 1/1998 Kelders et al.
- D413,235 S 8/1999 Hwang
- D453,451 S 2/2002 Yu
- 6,371,335 B1 4/2002 MacEwen
- D462,584 S 9/2002 So
- 6,655,554 B2 12/2003 Pantelleria et al.

- D511,077 S 11/2005 Huang
- D546,138 S 7/2007 Vagnby et al.
- 7,959,038 B2 6/2011 De Oliveira et al.
- 8,146,781 B2 4/2012 Robertson et al.
- D684,435 S 6/2013 Mathieu
- 8,561,854 B2 10/2013 Tirone et al.

(Continued)

FOREIGN PATENT DOCUMENTS

- CN ZL 03804798.5 5/2007
- WO 03059784 A1 7/2003

Primary Examiner — Philip S Hyder

(74) *Attorney, Agent, or Firm* — Husch Blackwell LLP

(57) **CLAIM**

The ornamental design for a condiment dispensing device, as shown and described.

DESCRIPTION

FIG. 1 is a perspective view of a first embodiment of a condiment dispensing device showing the new design; FIG. 2 is a top view of the condiment dispensing device of FIG. 1;

FIG. 3 is a left side view of the condiment dispensing device shown in FIG. 1 (the right side view of the condiment dispensing device is a mirror image of the view shown in FIG. 3);

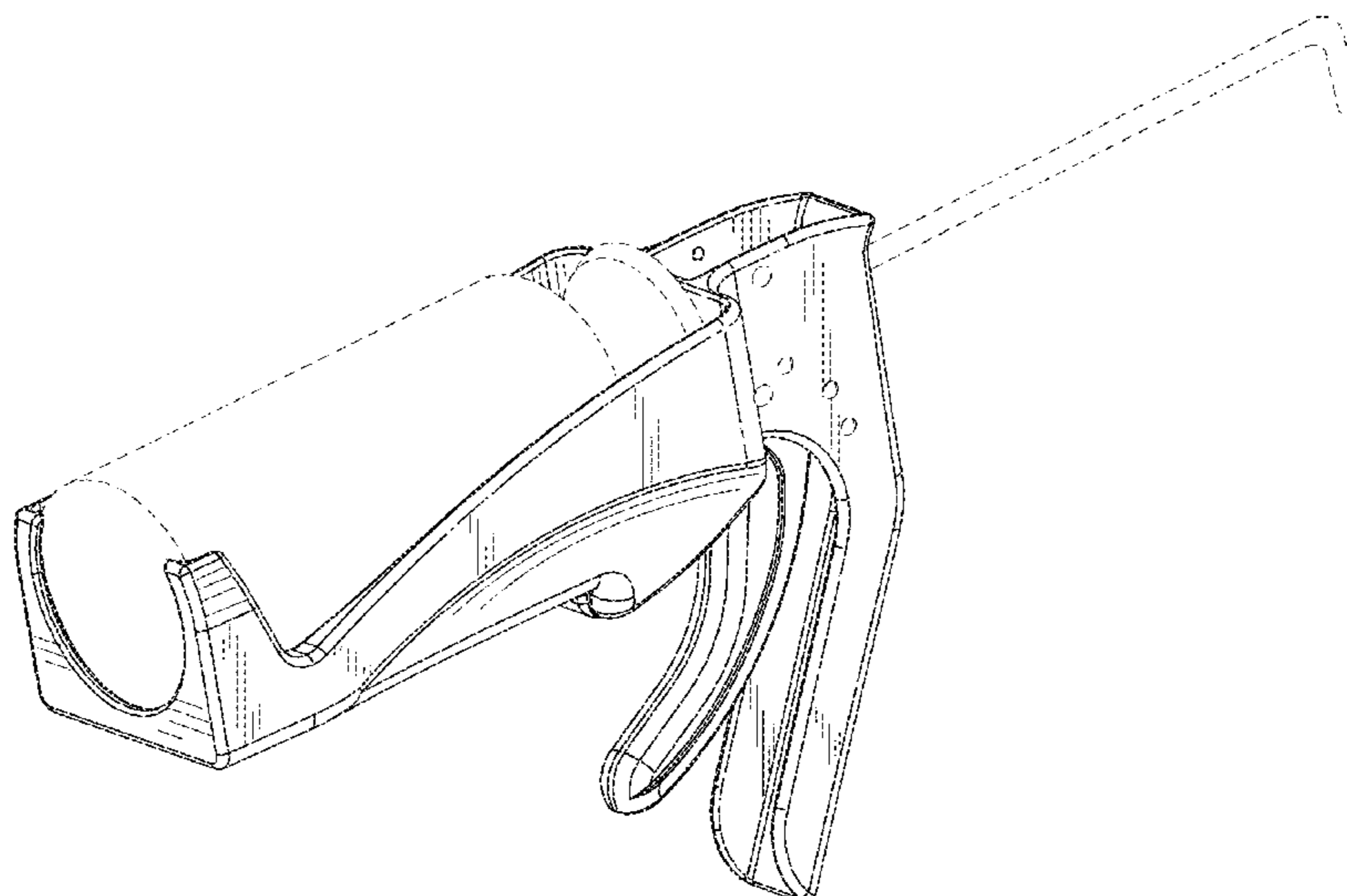
FIG. 4 is a rear view of the condiment dispensing device shown in FIG. 1;

FIG. 5 is a front view of the condiment dispensing device shown in FIG. 1; and,

FIG. 6 is a bottom view of the condiment dispensing device shown in FIG. 1.

The broken line showing of the condiment container residing inside the dispensing device is provided for purposes of environment and forms no part of the claimed design. The rest of the broken lines depict portions of the condiment dispensing device that are not considered part of the claimed design.

1 Claim, 4 Drawing Sheets



(56)

References Cited

U.S. PATENT DOCUMENTS

8,650,736	B2	2/2014	Robertson et al.
9,333,605	B2	5/2016	Robertson et al.
D793,826	S	8/2017	Sichien et al.
2013/0102446	A1	4/2013	Robertson et al.
2014/0008397	A1	1/2014	Edamatsu et al.

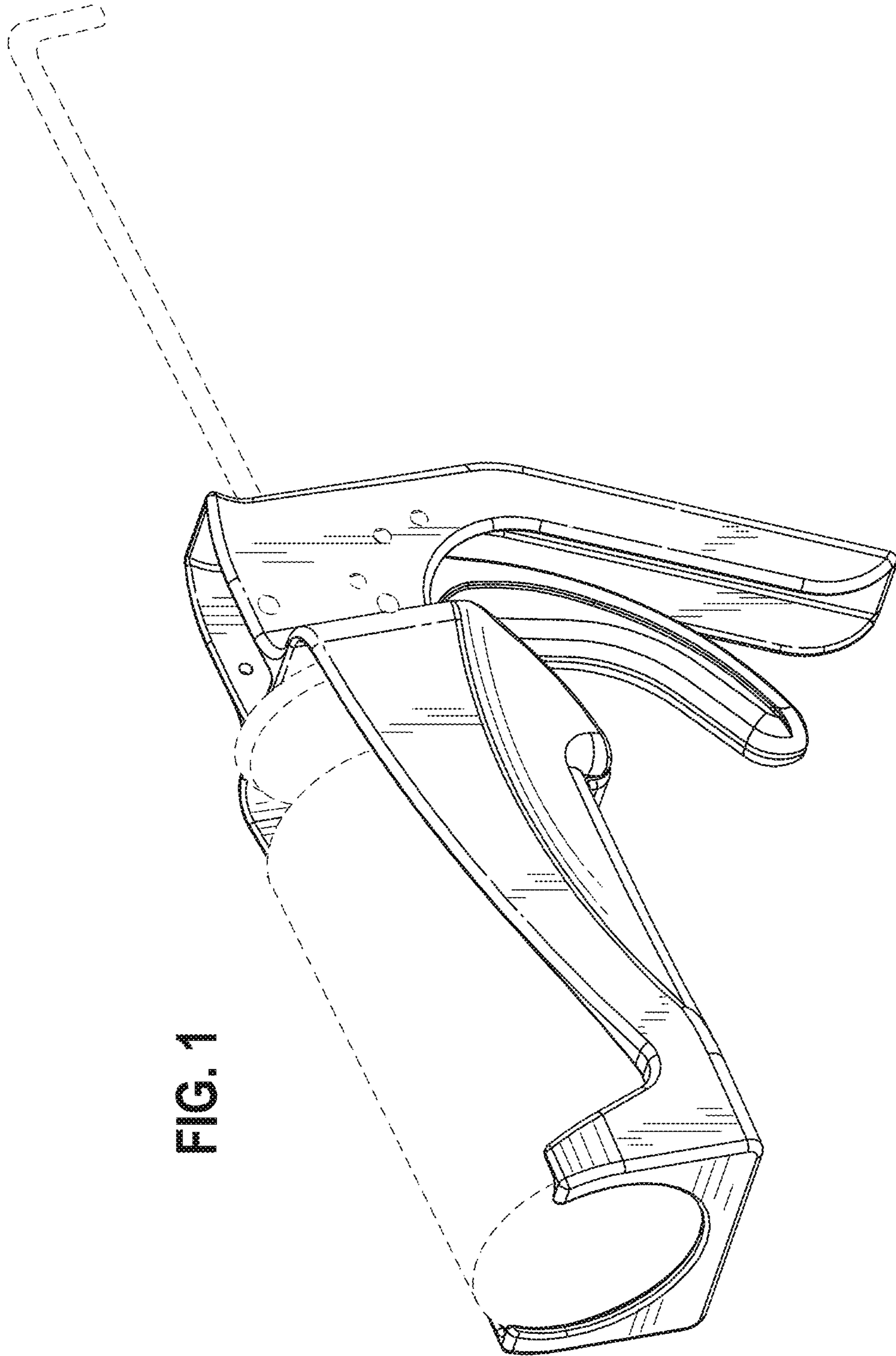


FIG. 1

FIG. 2

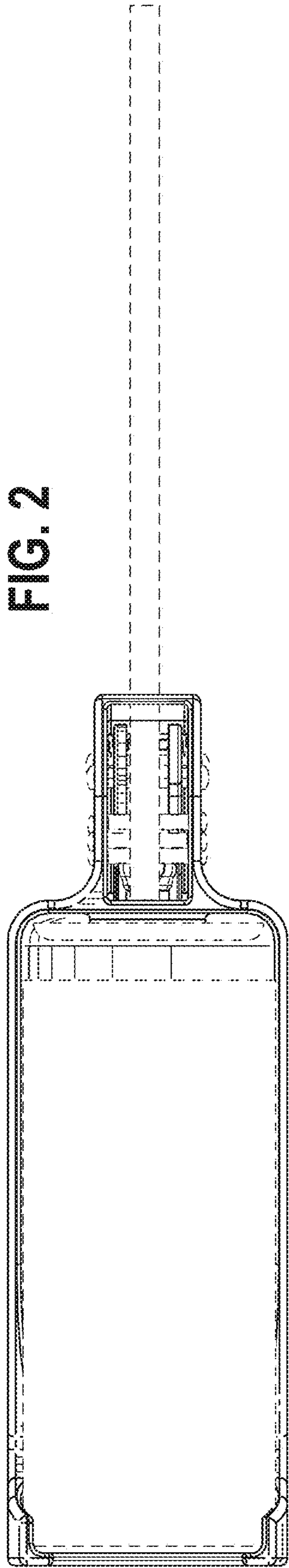


FIG. 3

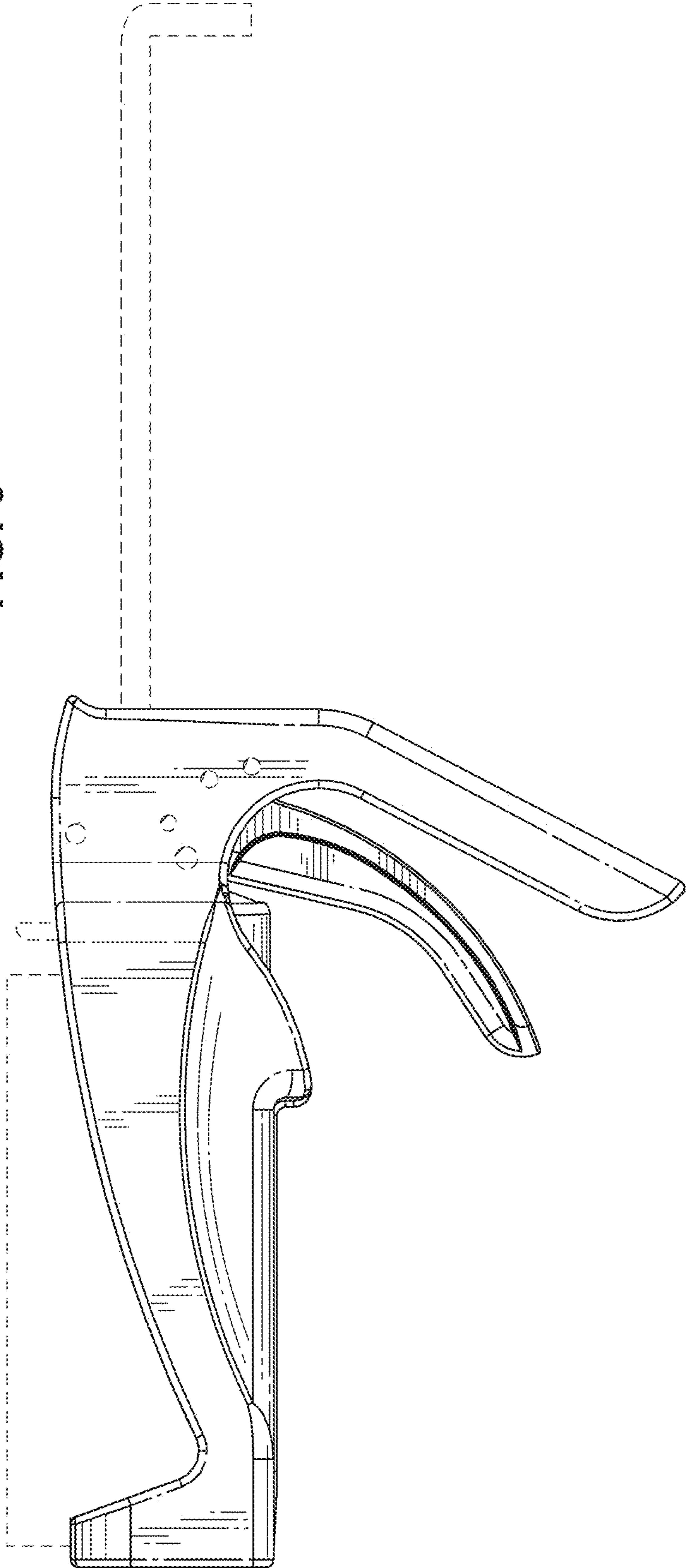


FIG. 5

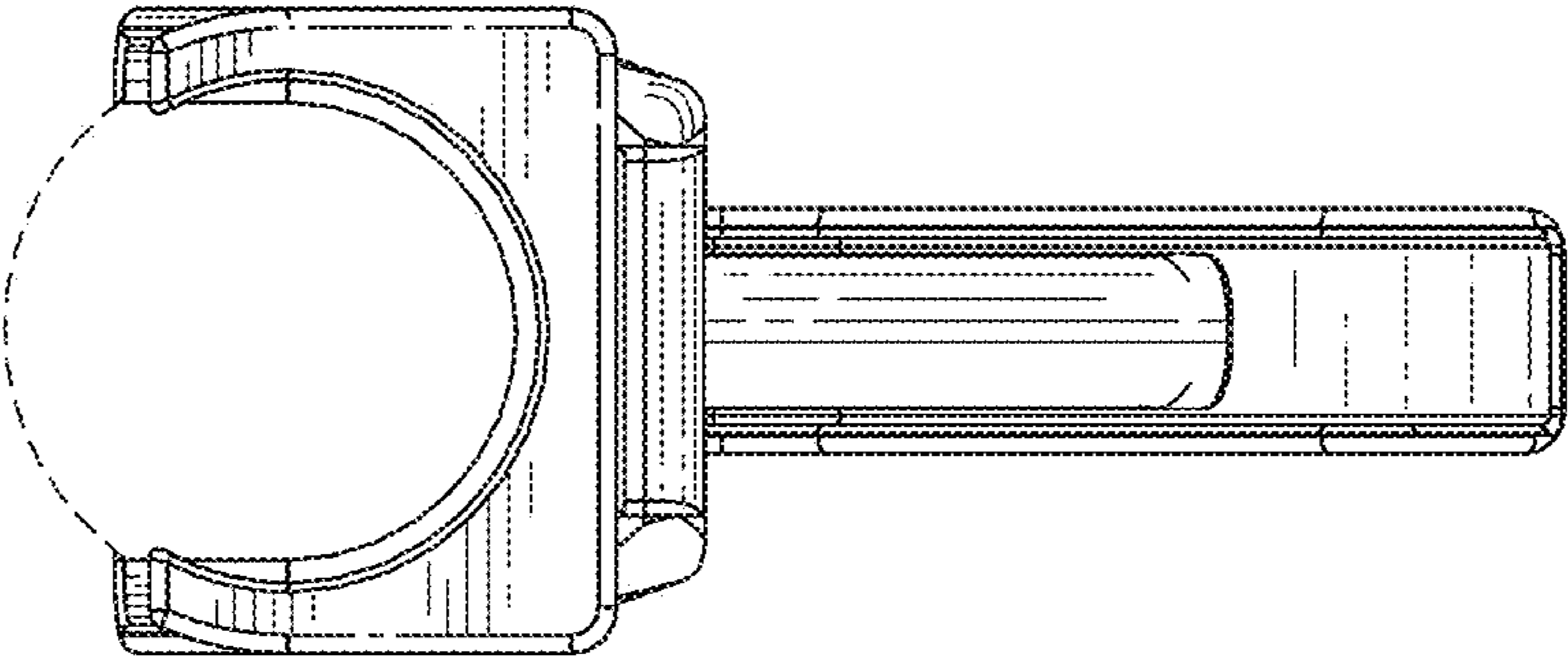


FIG. 4

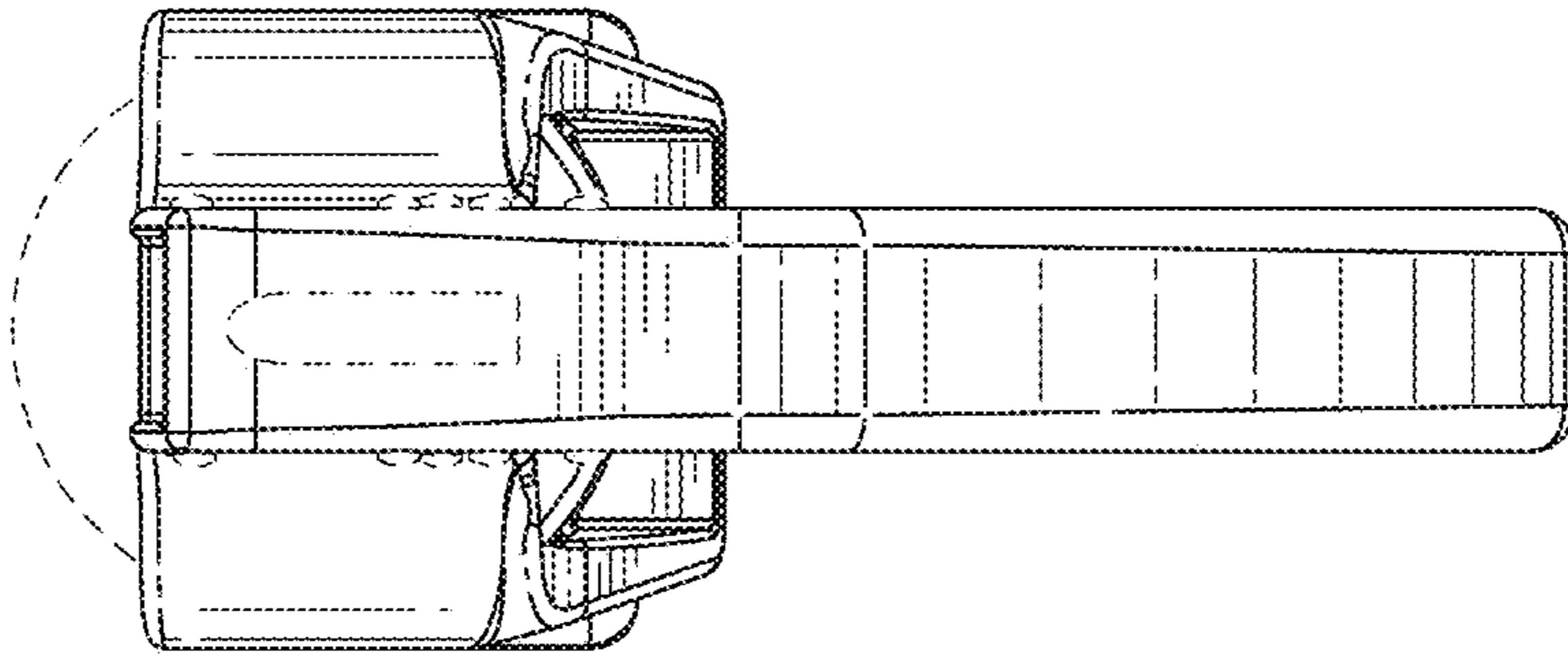


FIG. 6

