



US00D919378S

(12) **United States Design Patent** (10) **Patent No.:** **US D919,378 S**
Rocq (45) **Date of Patent:** **** May 18, 2021**

(54) **FOOD CONTAINER**

(71) Applicant: **French Macarons, Inc.**, Foothill Ranch, CA (US)

(72) Inventor: **Eddy Rocq**, Foothill Ranch, CA (US)

(73) Assignee: **French Macarons, Inc.**, Foothill Ranch, CA (US)

(**) Term: **15 Years**

(21) Appl. No.: **29/716,024**

(22) Filed: **Dec. 5, 2019**

(51) **LOC (13) Cl.** **09-07**

(52) **U.S. Cl.**
USPC **D7/629**

(58) **Field of Classification Search**
USPC D7/601, 602, 612, 615, 629, 630, 632,
D7/600.1, 538, 540; D9/414, 424, 425,
D9/428, 772, 777
CPC B65D 1/10; B65D 21/00; B65D 21/0209;
B65D 25/04; B65D 43/02
See application file for complete search history.

(56) **References Cited**

U.S. PATENT DOCUMENTS

D250,397 S *	11/1978	Christian	D9/778
D252,796 S *	9/1979	Fortuna	D9/549
D285,774 S *	9/1986	MacLaughlin	D9/429
D364,568 S *	11/1995	Ishimoto	D9/503
D426,463 S *	6/2000	Landis, II	D9/428
D436,861 S *	1/2001	Sagel	D9/422
6,213,301 B1 *	4/2001	Landis	B65D 3/12 206/519

(Continued)

Primary Examiner — Derrick E Holland

Assistant Examiner — Andrew Kerr

(74) *Attorney, Agent, or Firm* — Stradling Yocca Carlson & Rauth

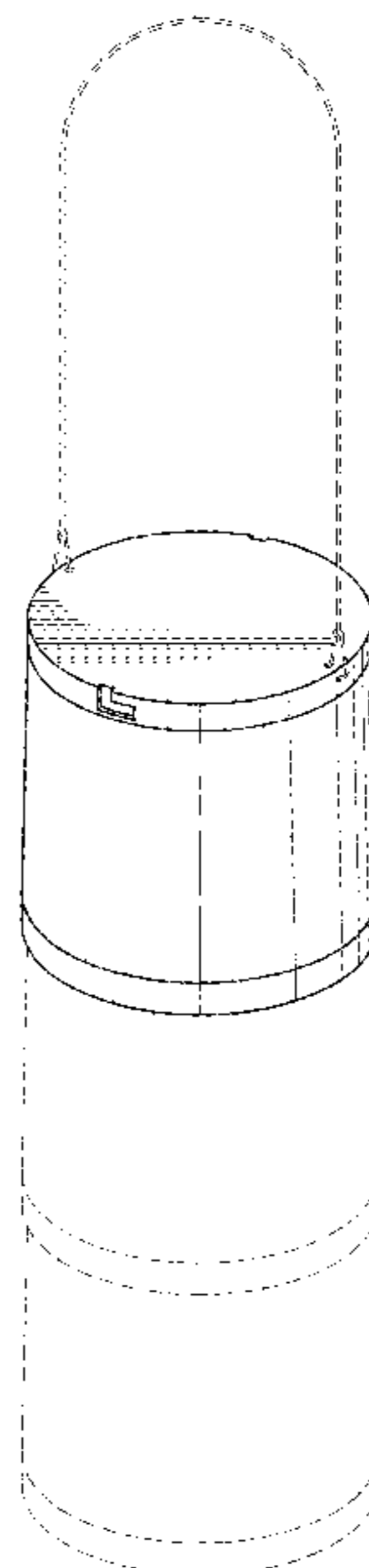
(57) **CLAIM**

The ornamental design of a food container, as shown and described.

DESCRIPTION

FIG. 1 is a front top right perspective view of a food container assembled in use condition;
 FIG. 2 is a front top right perspective view of the food container assembled;
 FIG. 3 is a front elevation view of the food container assembled;
 FIG. 4 is a rear elevation view of the food container assembled;
 FIG. 5 is a right side elevation view of the food container assembled;
 FIG. 6 is a left side elevation view of the food container assembled;
 FIG. 7 is a top plan view of the food container assembled;
 FIG. 8 is a bottom plan view of the food container assembled;
 FIG. 9 is an exploded front top right perspective view of the food container;
 FIG. 10 is an exploded rear right bottom perspective view of the food container;
 FIG. 11 is an exploded front elevation view of the food container, wherein the rear is a mirror image of this exploded front elevation view;
 FIG. 12 is an exploded left side elevation view of the food container, wherein the right side is a mirror image of this exploded front elevation view;
 FIG. 13 is a bottom plan view of the upper portion of the food container taken along view plane line 13-13 of FIG. 12; and,
 FIG. 14 is a top plan view of the lower portion of the food container taken along view plane line 14-14 of FIG. 12.
 The portions shown in broken lines show environment and form no part of the claimed design.

1 Claim, 10 Drawing Sheets



(56)

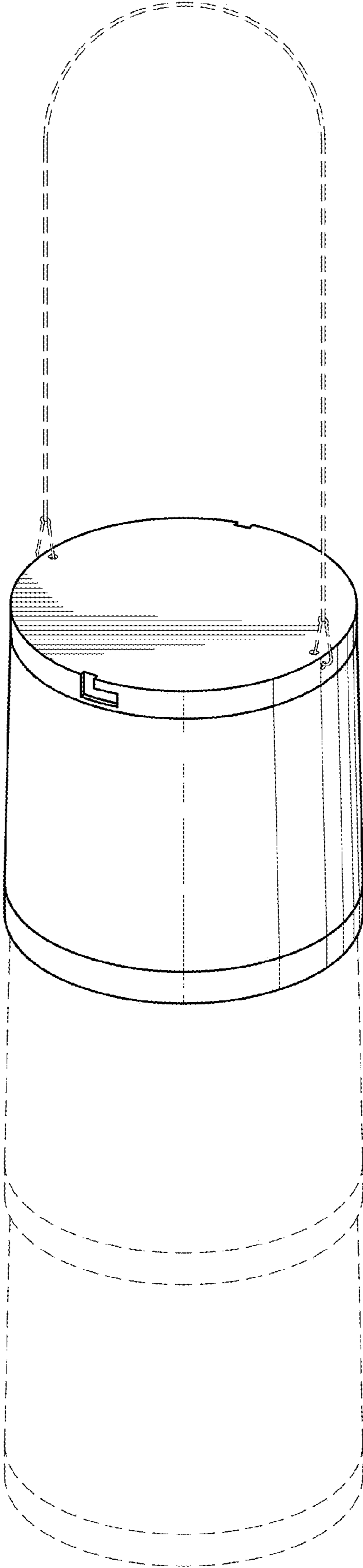
References Cited

U.S. PATENT DOCUMENTS

6,547,093 B1 * 4/2003 Messer B65D 11/02
215/45
D497,778 S * 11/2004 Rich D7/608
D566,558 S * 4/2008 Bakic D9/503
D571,663 S * 6/2008 Bakic D9/500
D626,829 S * 11/2010 Touchet D9/428
D629,252 S * 12/2010 Alviar D7/510
D702,398 S * 4/2014 Fakhouri D27/181
8,714,402 B2 * 5/2014 Touchet B29C 66/1312
220/613
D894,499 S * 8/2020 Houx D30/129

* cited by examiner

FIG. 1



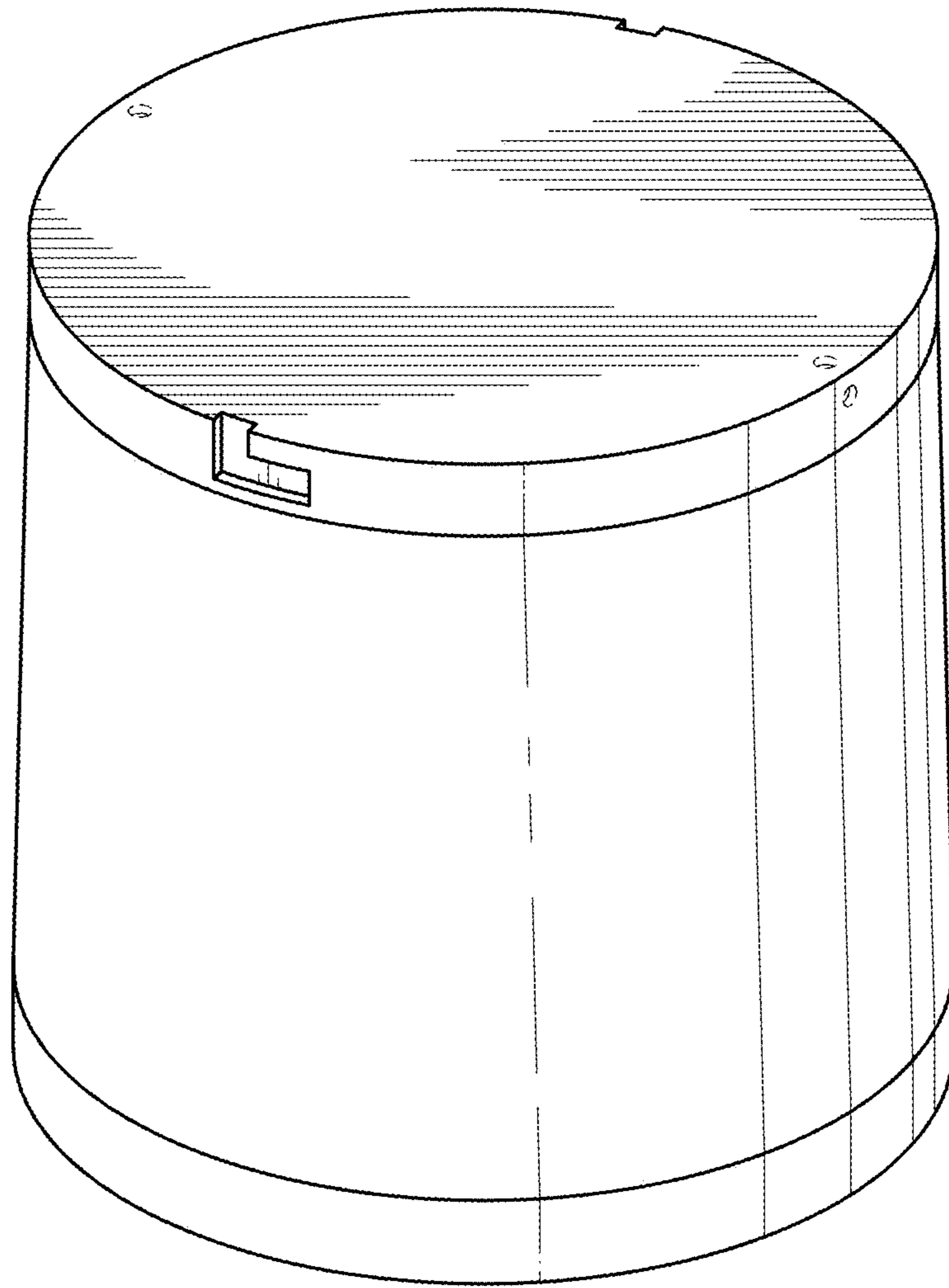


FIG. 2

FIG. 3

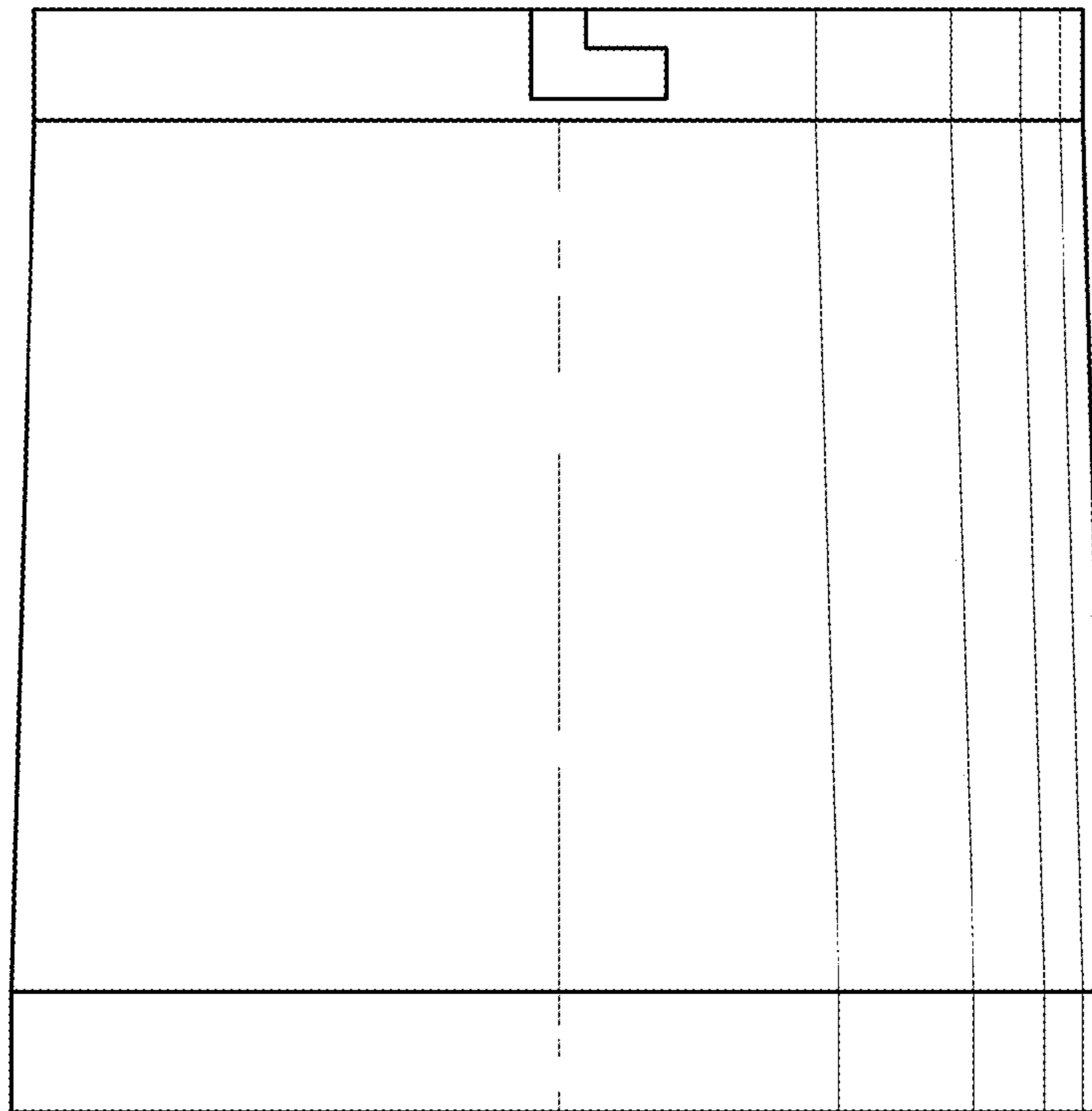


FIG. 4

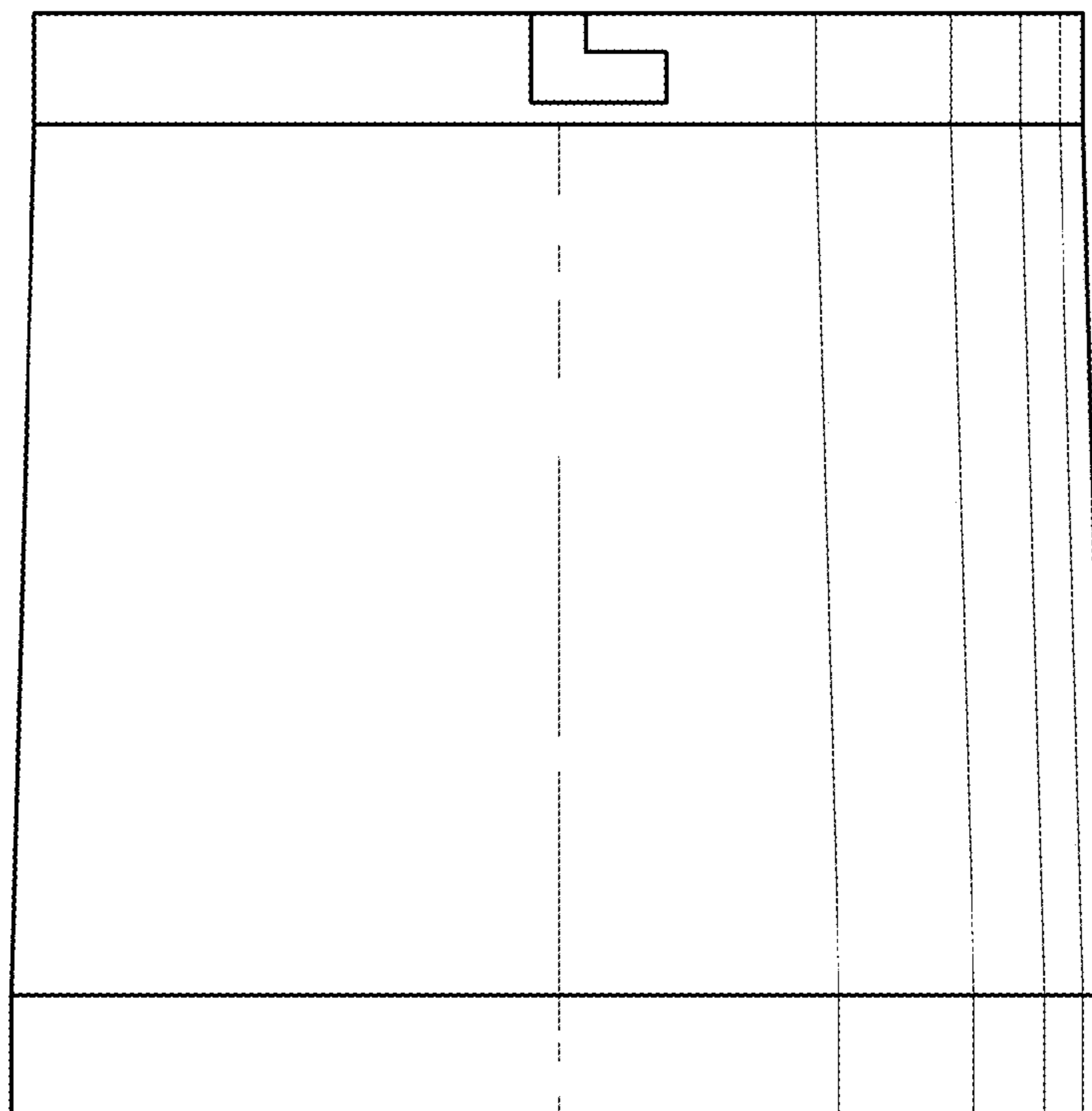


FIG. 5

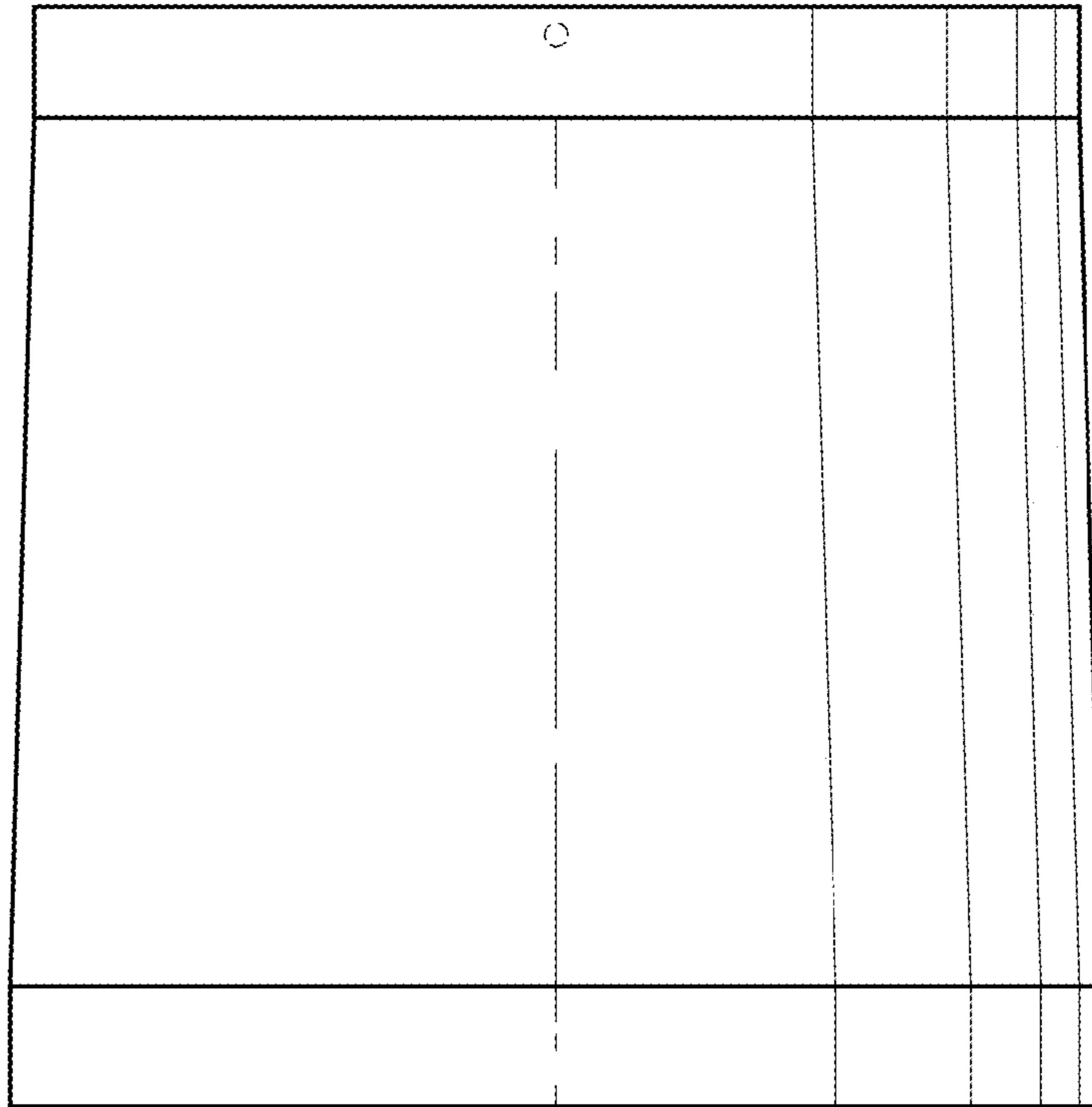


FIG. 6

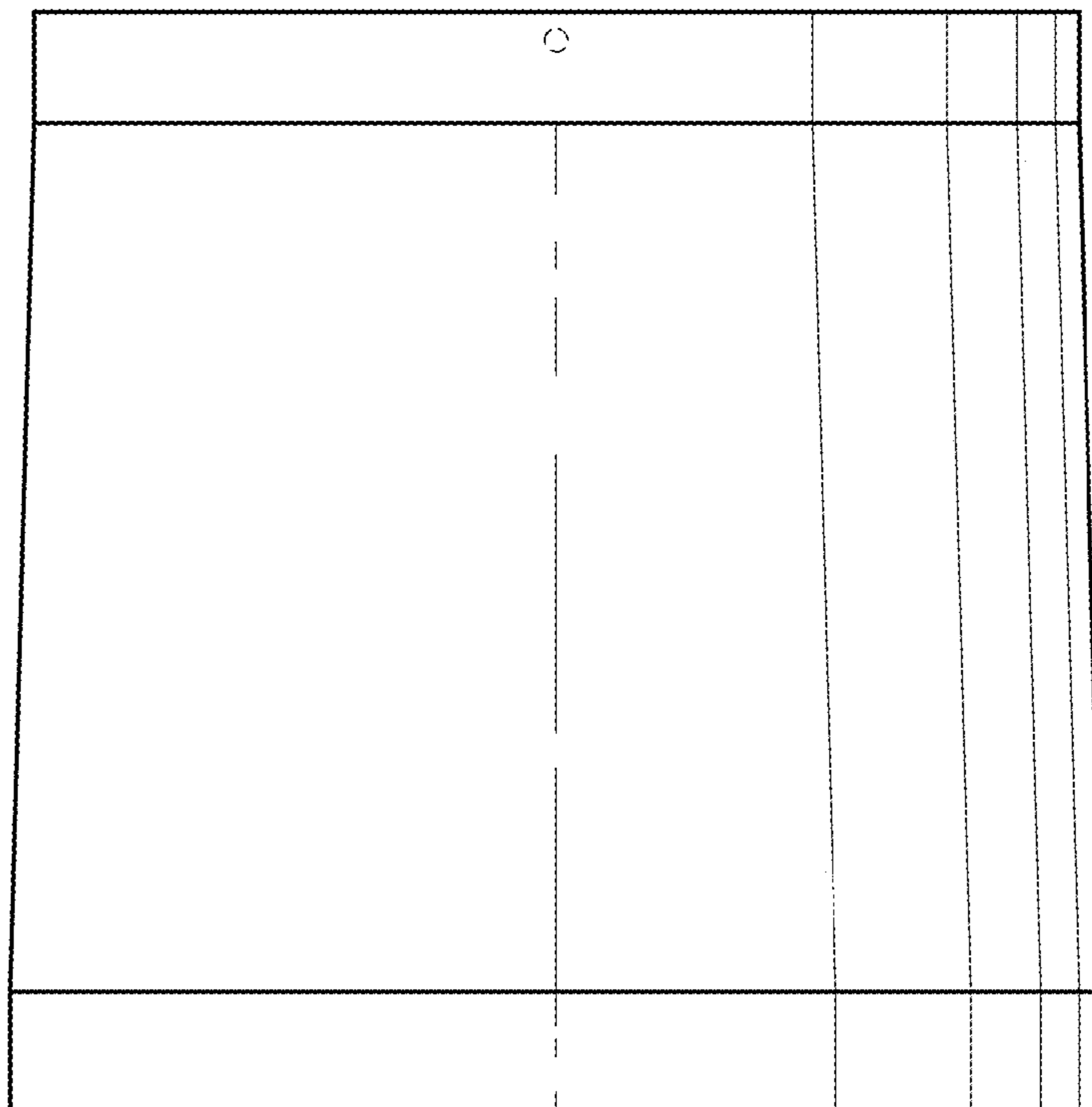


FIG. 7

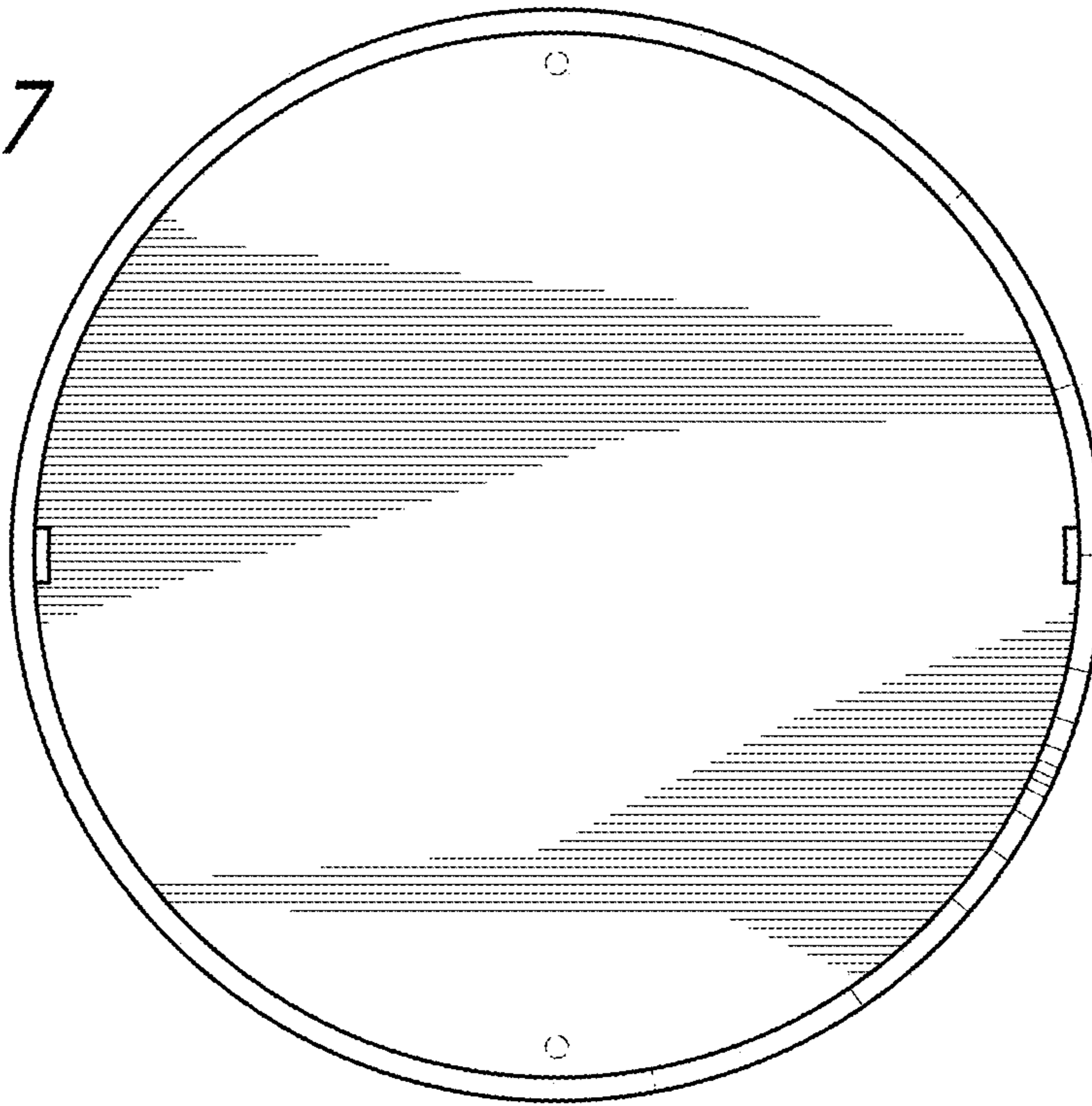


FIG. 8

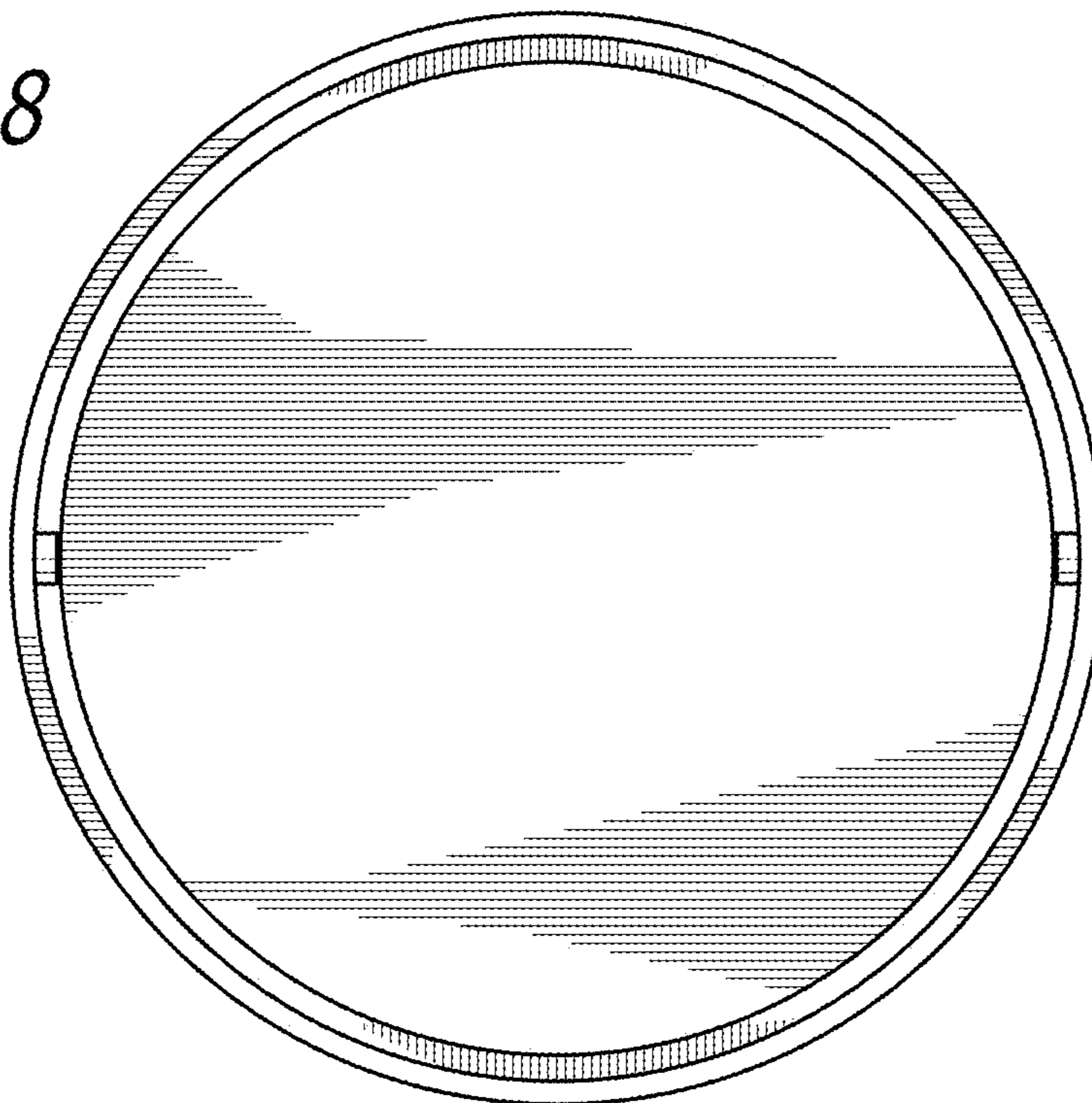


FIG. 9

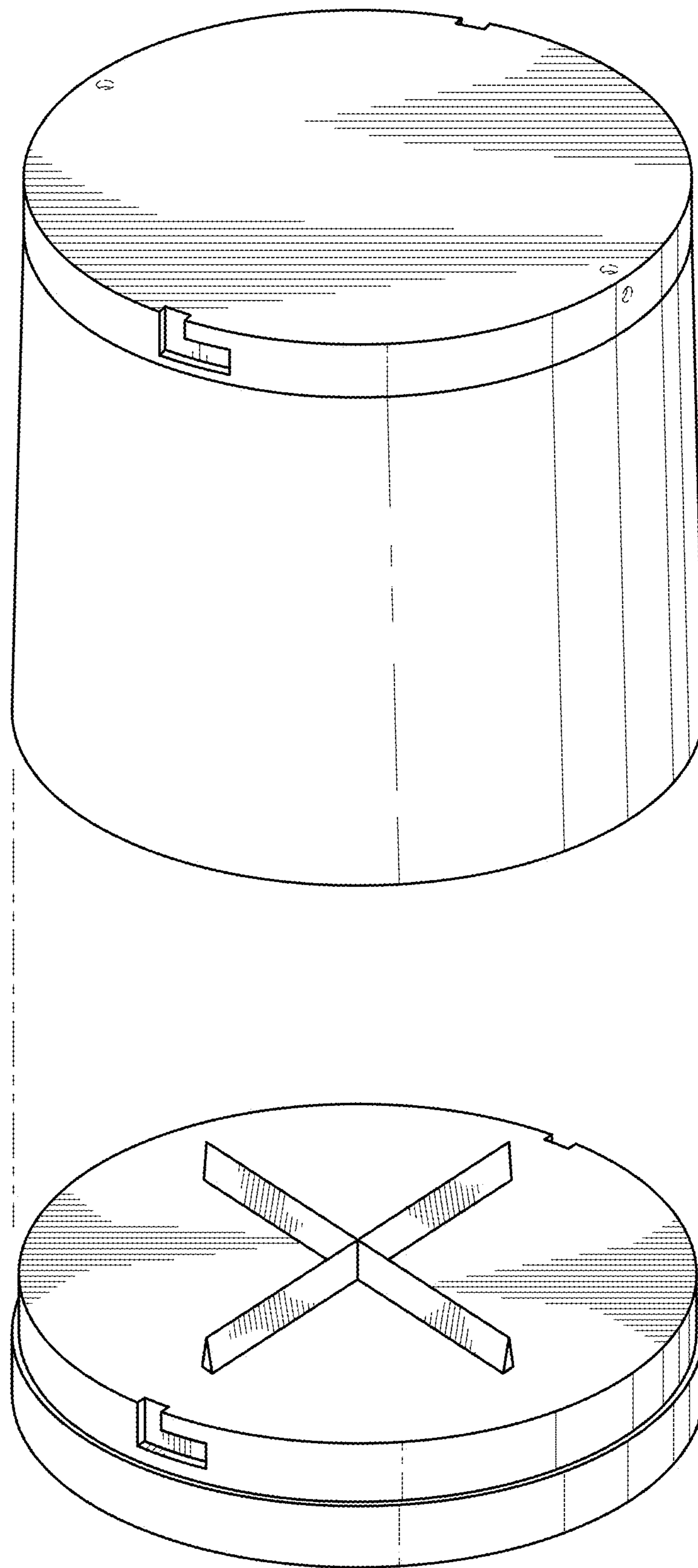
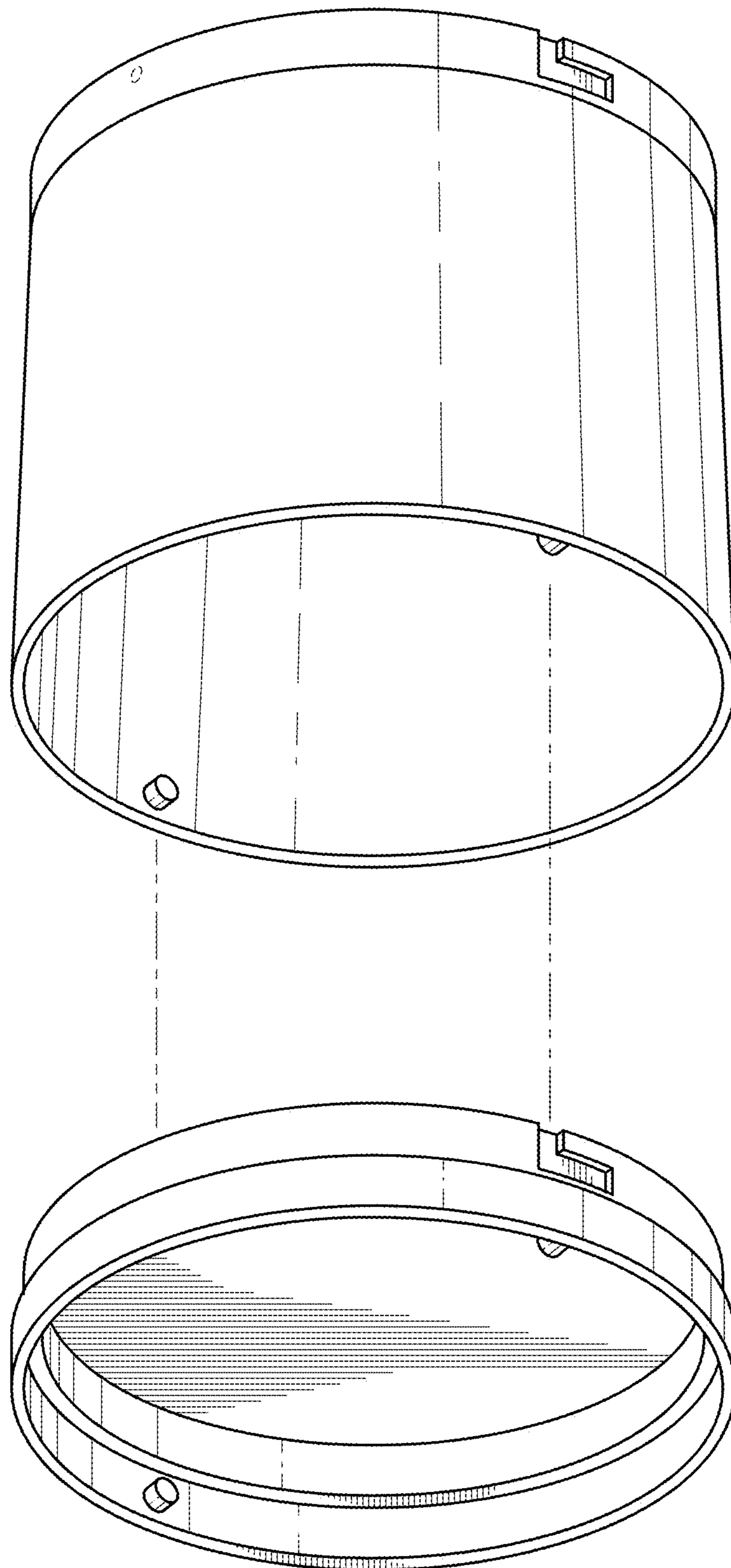


FIG. 10



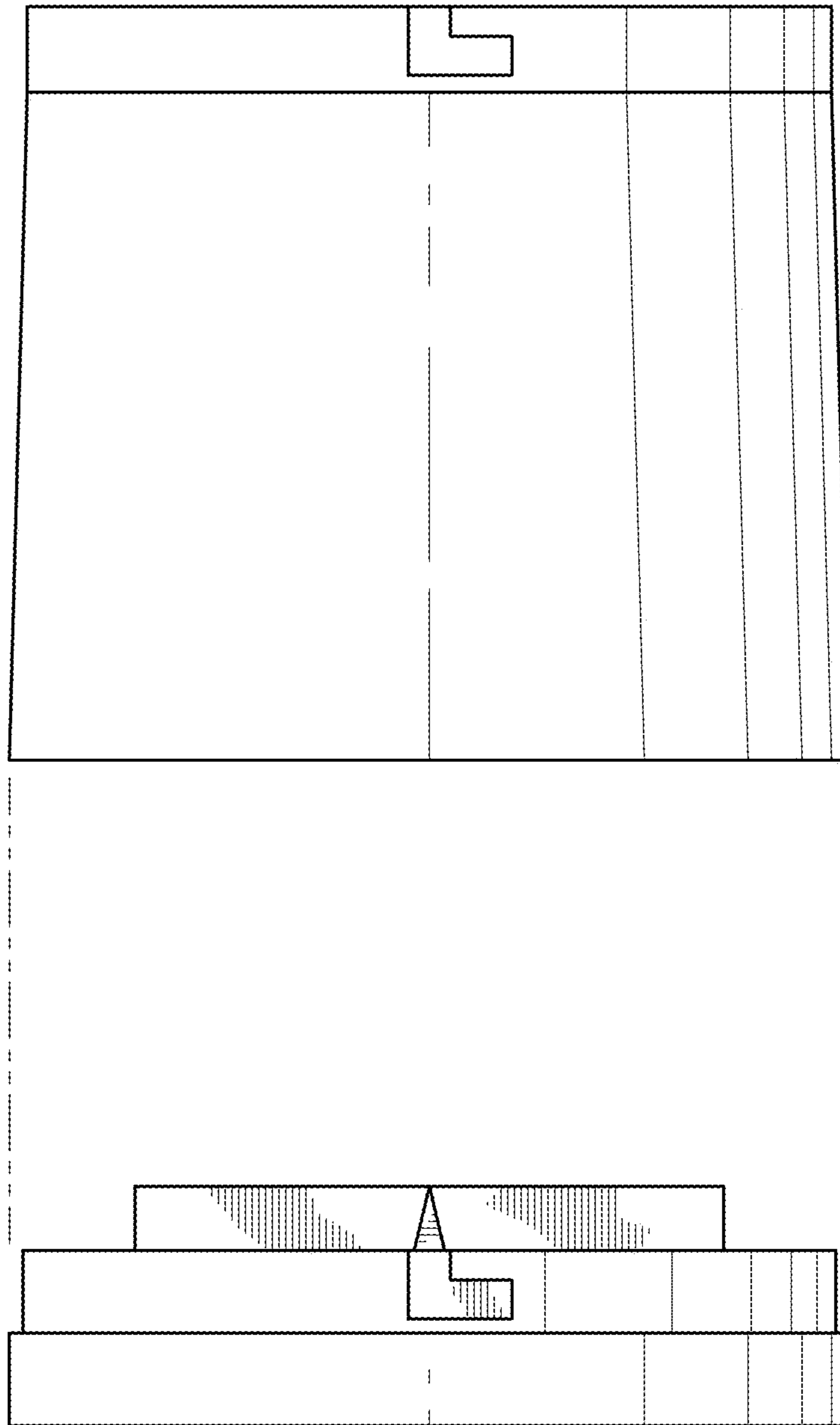


FIG. 11

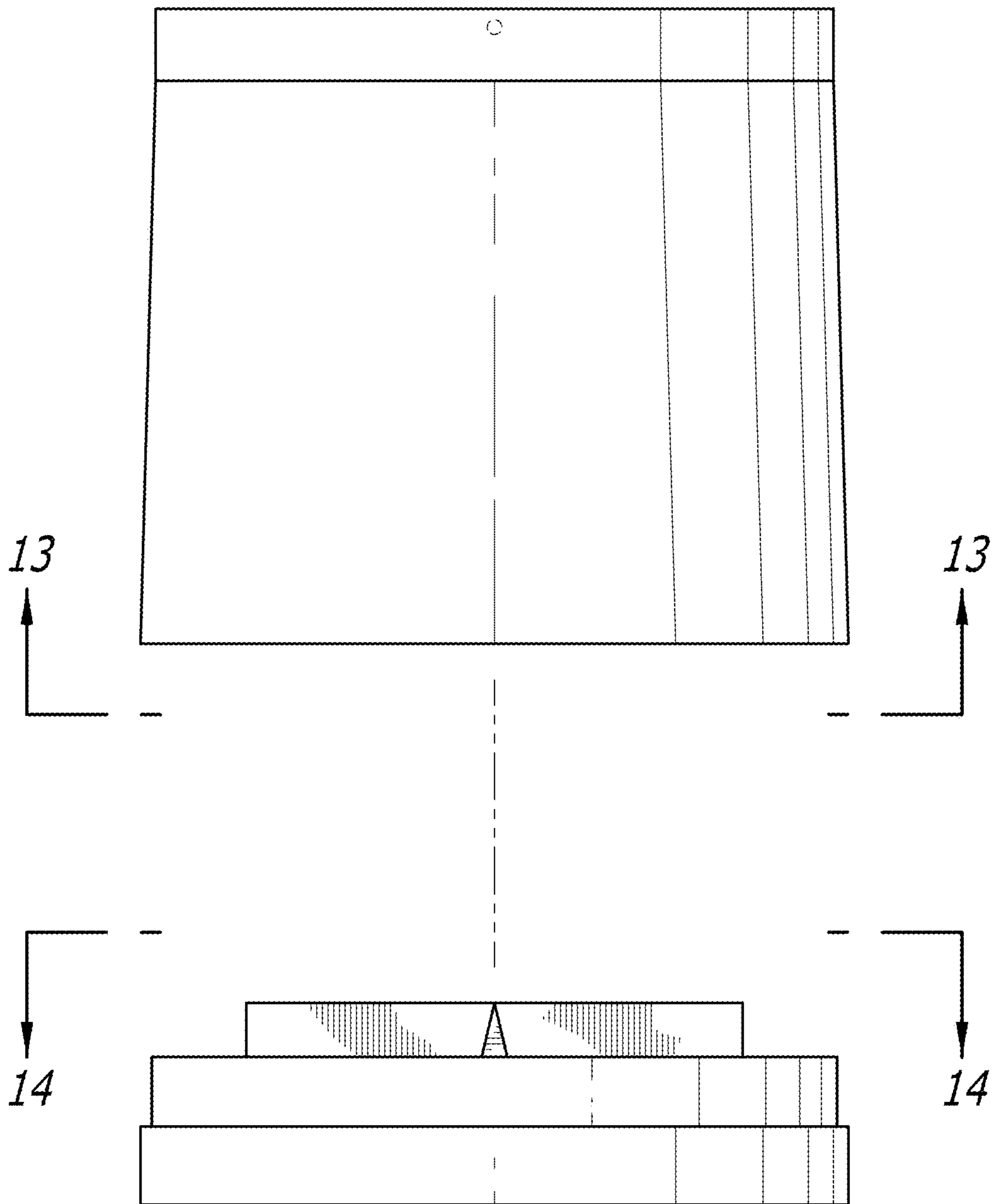


FIG. 12

FIG. 13

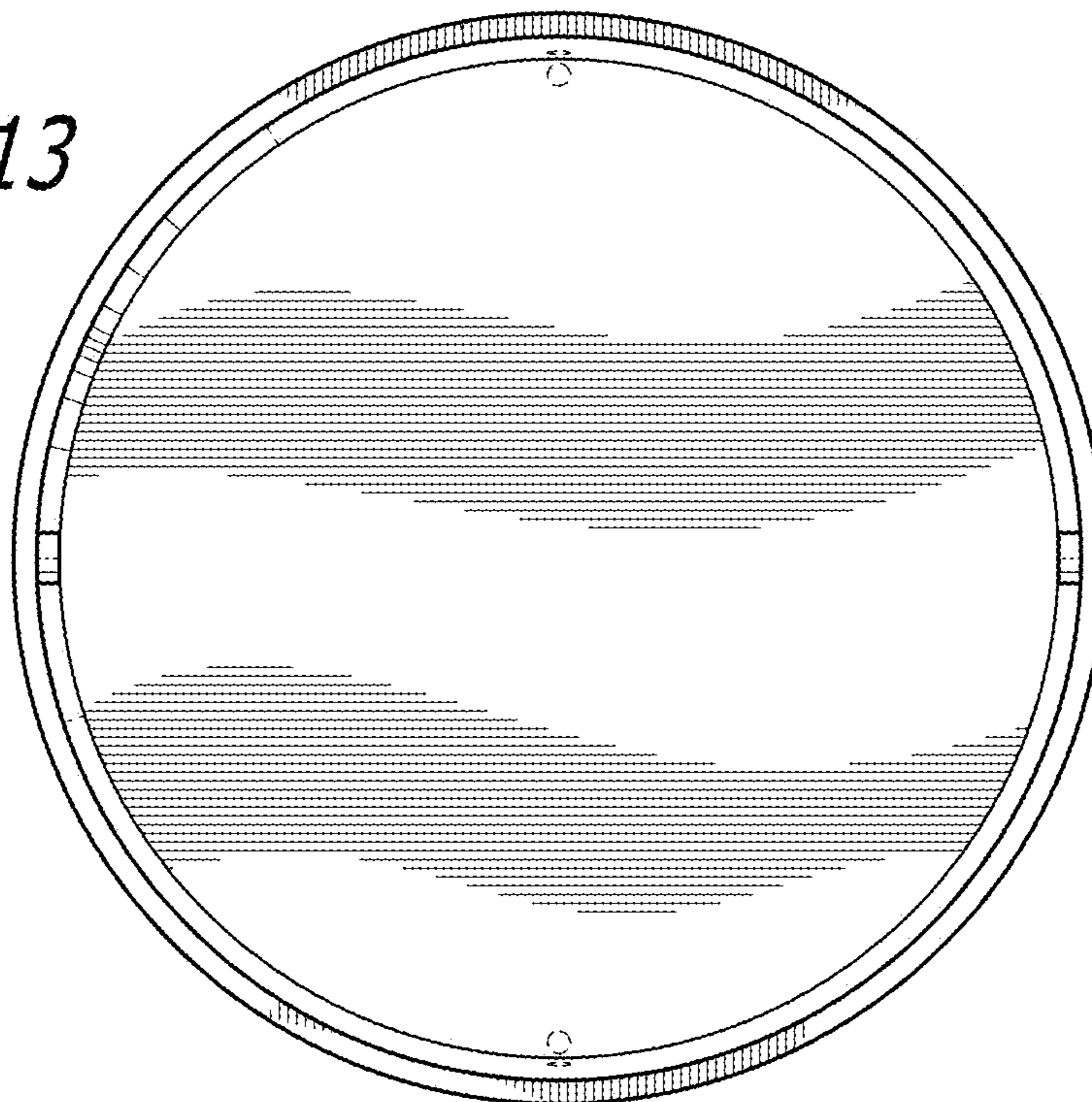


FIG. 14

