



US00D919373S

(12) **United States Design Patent**  
**Xiong**

(10) **Patent No.:** **US D919,373 S**

(45) **Date of Patent:** **\*\* May 18, 2021**

(54) **COOLER**

(71) Applicant: **MILEE PRODUCTS**  
**MANUFACTURING CO., LTD,**  
Shenzhen (CN)

(72) Inventor: **FeiCheng Xiong,** Shenzhen (CN)

(73) Assignee: **MILEE PRODUCTS**  
**MANUFACTURING CO., LTD,**  
Shenzhen (CN)

(\*\*) Term: **15 Years**

(21) Appl. No.: **29/702,583**

(22) Filed: **Aug. 20, 2019**

(51) **LOC (13) Cl.** ..... **07-01**

(52) **U.S. Cl.**  
USPC ..... **D7/605**

(58) **Field of Classification Search**  
USPC ..... D7/605-607; D3/272-274, 201,  
D3/203.1-203.8

CPC ..... F25D 3/08; F25D 3/02; F25D 3/04; F25D  
3/06; F25D 3/14; F25D 3/107; F25D  
2331/804; F25D 2331/801; B65D 81/38;  
B65D 81/3813; B65D 81/3816; B65D  
81/3818; B65D 81/382; B65D 81/3823;  
B65D 81/3825; B65D 81/3827; B65D  
81/383; B65D 81/3832; B65D 81/3834;  
B65D 81/3848; B65D 81/3851; B65D  
81/3853; B65D 81/3855; B65D 81/3858;  
B65D 81/386; B65D 81/3862; A45C  
11/20; A45C 3/00; A45C 2003/008

See application file for complete search history.

(56) **References Cited**

U.S. PATENT DOCUMENTS

D257,934	S	*	1/1981	Buss	.....	D7/313
D325,323	S	*	4/1992	Kahl	.....	D7/605
D325,324	S	*	4/1992	Kahl	.....	D7/605
D326,815	S	*	6/1992	Meisner	.....	D7/605
D652,262	S	*	1/2012	Yang	.....	D7/605
D836,993	S	*	1/2019	Meda	.....	D7/605
D836,995	S	*	1/2019	Carey	.....	D7/605
D843,181	S	*	3/2019	Yuan	.....	D7/605
2014/0197059	A1	*	7/2014	Evans	.....	B25H 3/02 206/349

\* cited by examiner

*Primary Examiner* — Terry A Wallace

(74) *Attorney, Agent, or Firm* — Zhihua Han; Wen IP  
LLC

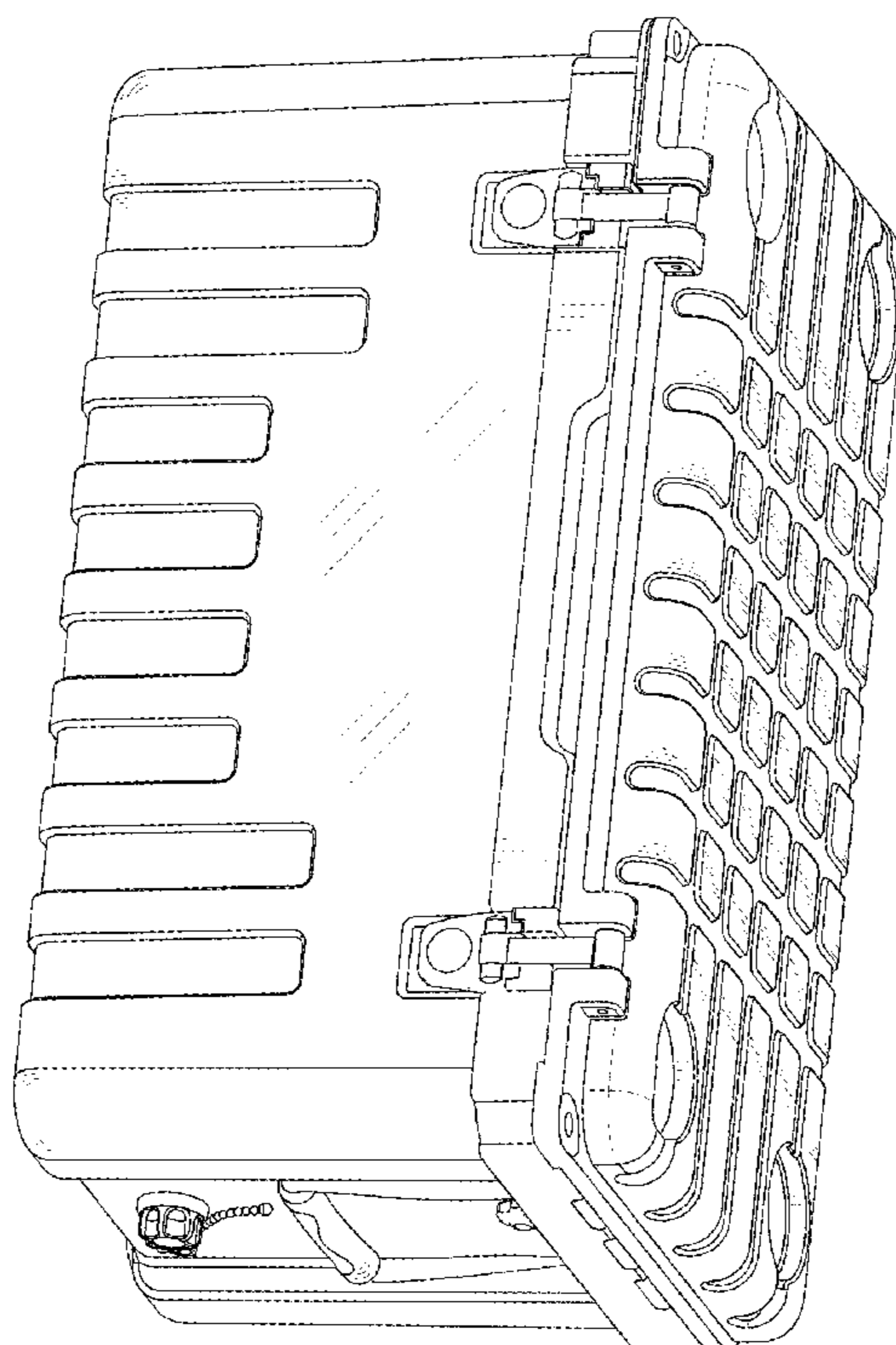
(57) **CLAIM**

I claim the ornamental design for the cooler, as shown and  
described.

**DESCRIPTION**

FIG. 1 is a front view of the cooler showing my new design.  
FIG. 2 is a rear view thereof.  
FIG. 3 is a top plan view thereof.  
FIG. 4 is a bottom plan view thereof.  
FIG. 5 is a left side view thereof.  
FIG. 6 is a right side view thereof; and,  
FIG. 7 is a perspective view thereof.  
The shade lines in the Figures show contour and are not  
surface ornamentation.

**1 Claim, 7 Drawing Sheets**



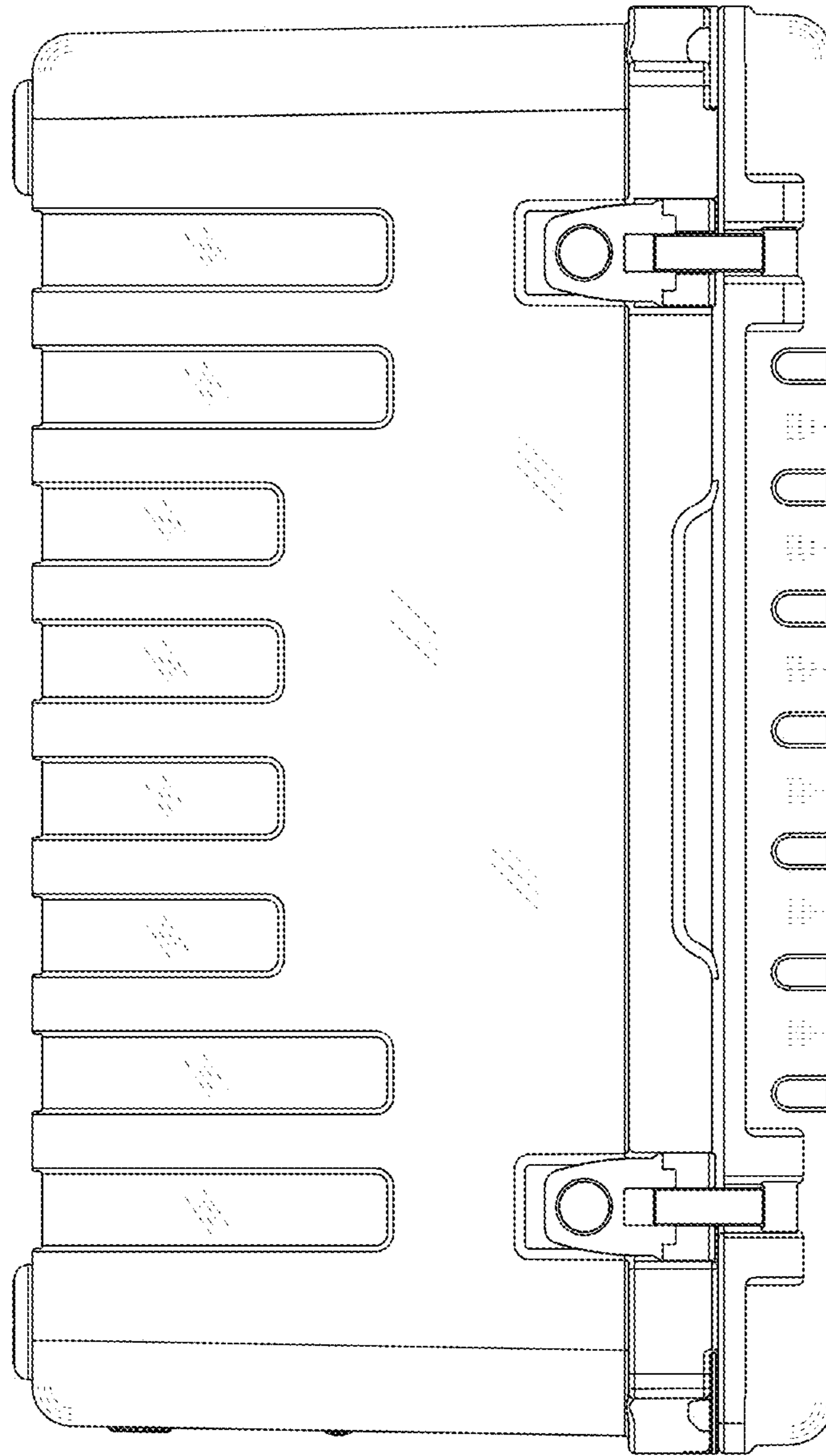


FIG. 1

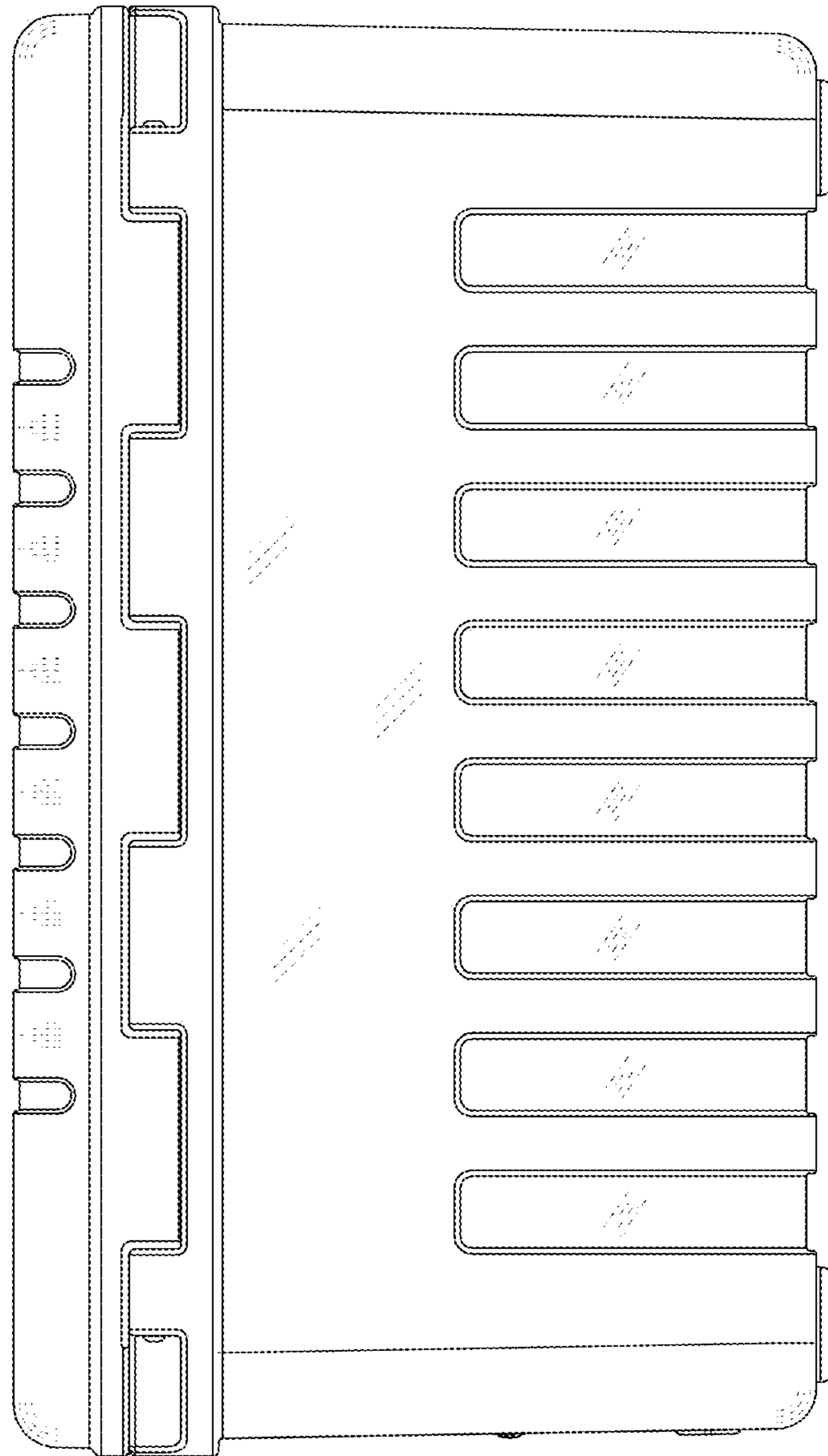


FIG. 2

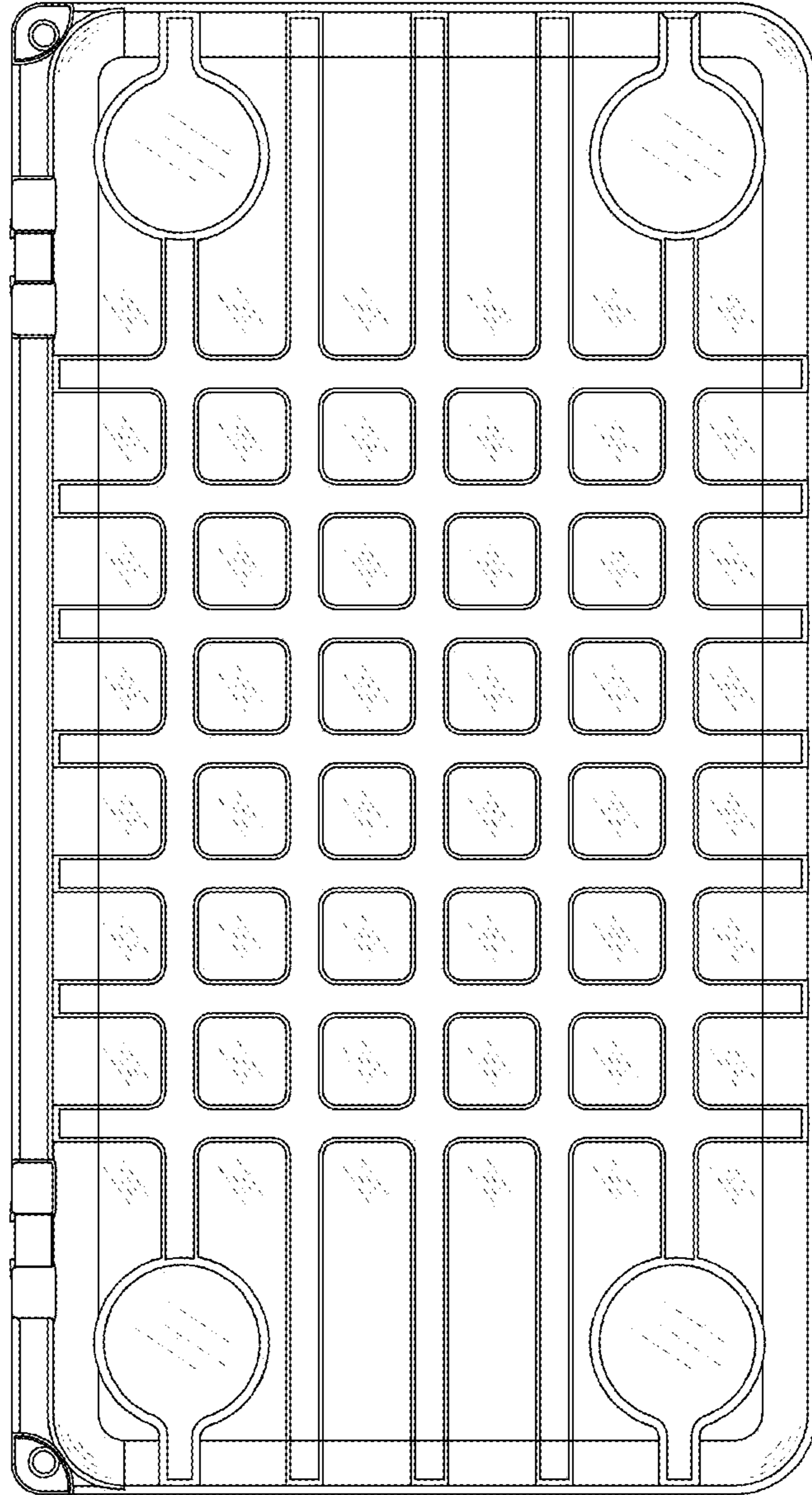


FIG. 3



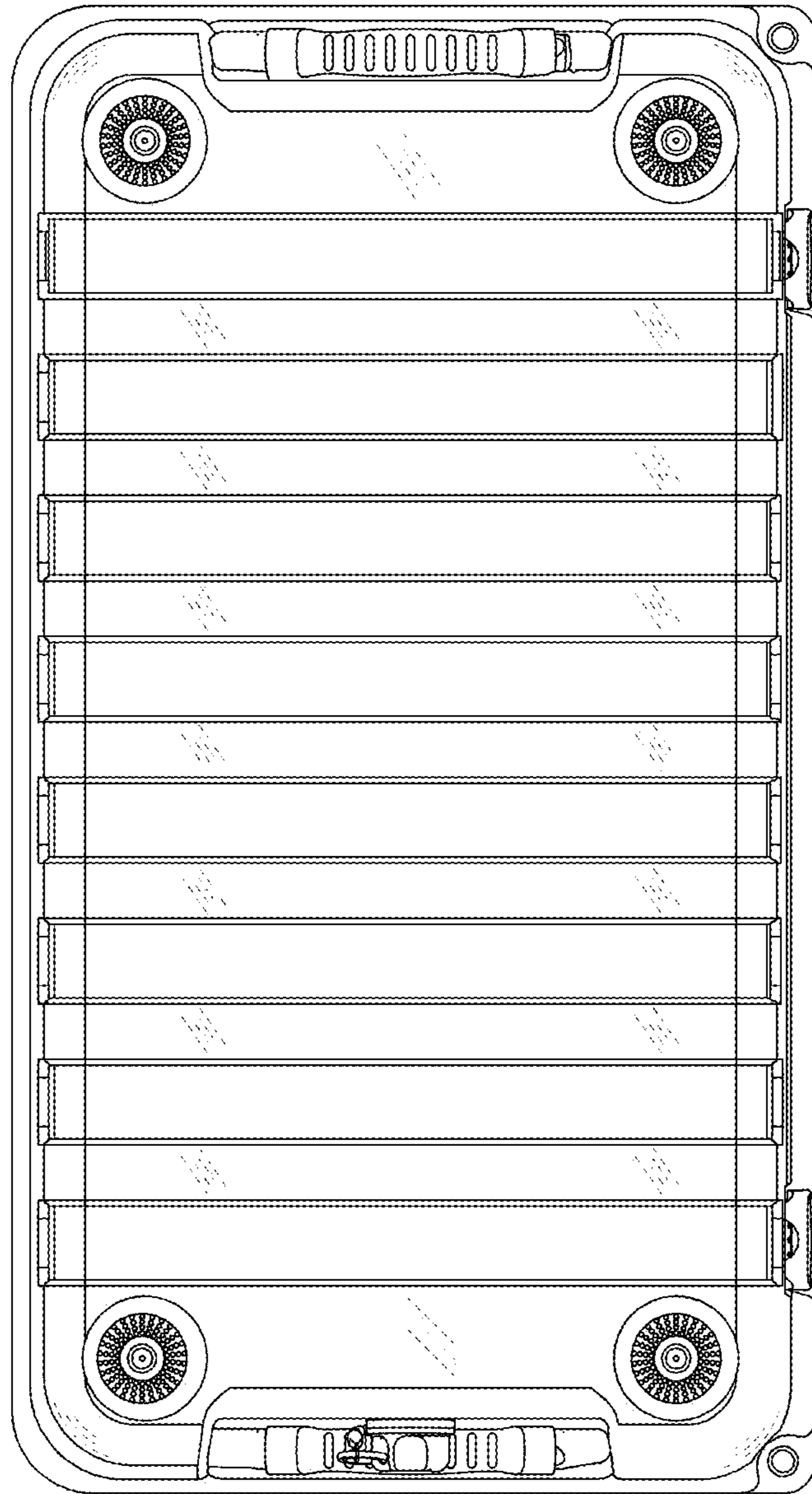


FIG. 4

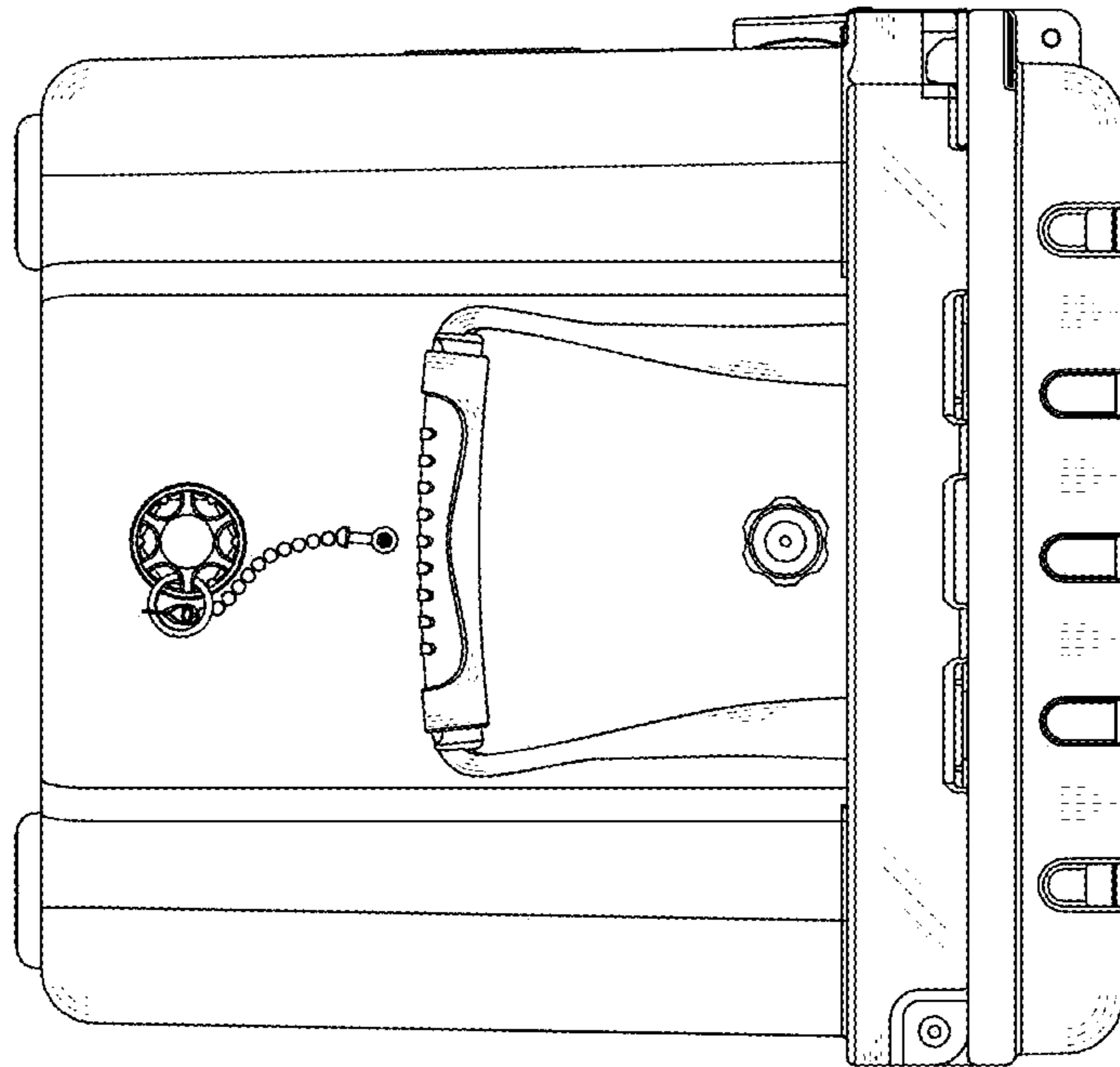


FIG. 5

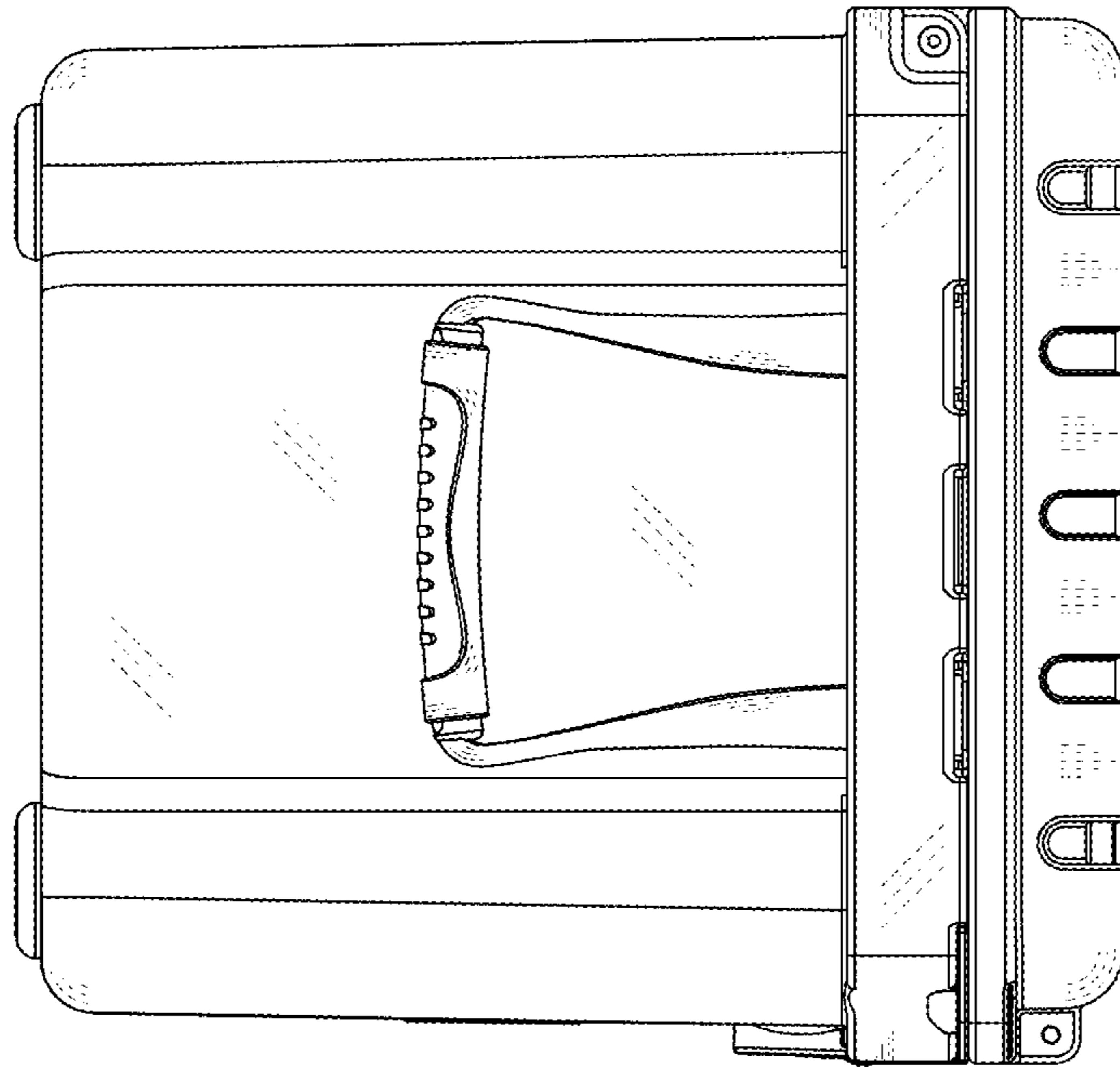


FIG. 6

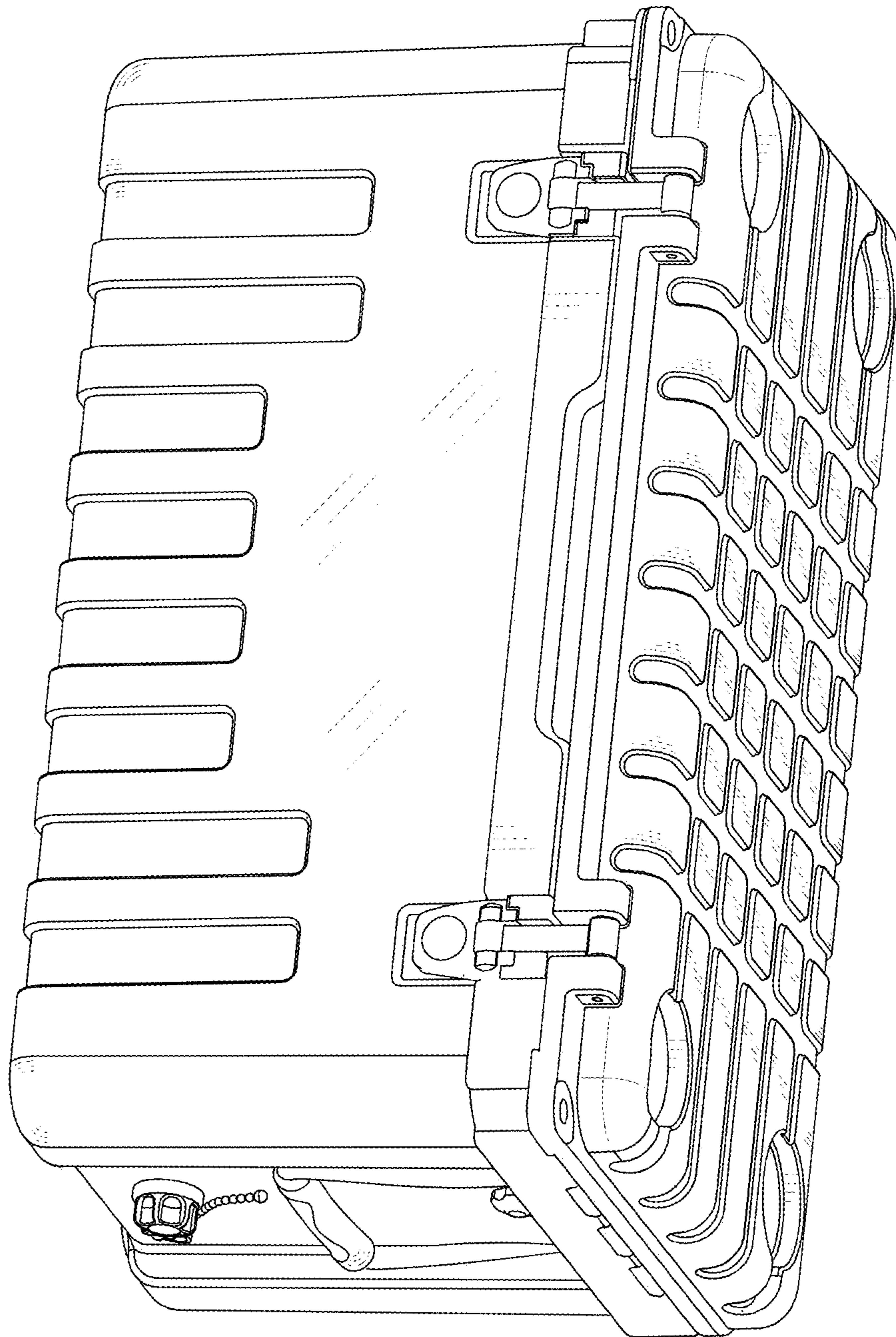


FIG. 7