

US00D919372S

(12) **United States Design Patent** (10) **Patent No.:** **US D919,372 S**
Greenwood (45) **Date of Patent:** **** May 18, 2021**

(54) BOTTLE ORGANIZER	4,356,923 A	11/1982	Young et al.
	4,441,771 A	4/1984	Roesler
(71) Applicant: YouCopia Products Inc. , Chicago, IL (US)	4,502,741 A	3/1985	Devries et al.
	4,620,489 A	11/1986	Albano
	5,244,272 A	9/1993	Thompson
(72) Inventor: Mark Greenwood , Arlington Heights, IL (US)	5,348,207 A	9/1994	Frank
	5,385,399 A	1/1995	Weidner
	D365,732 S	1/1996	Kellen et al.
	6,039,422 A	3/2000	Butters et al.
(73) Assignee: YouCopia Products, Inc. , Chicago, IL (US)	D422,846 S *	4/2000	Swick D7/601
	6,122,173 A	9/2000	Felcman et al.
	6,129,219 A	10/2000	Peickert
	6,332,546 B1	12/2001	Hunt
(**) Term: 15 Years	6,585,334 B2	7/2003	Cheng et al.

(Continued)

(21) Appl. No.: **29/682,177**

(22) Filed: **Mar. 1, 2019**

(51) **LOC (13) Cl.** **07-99**

(52) **U.S. Cl.**
USPC **D7/600.4**

(58) **Field of Classification Search**
USPC D7/600.2, 600.1, 590, 600, 600.4
CPC A47J 47/16; A47B 81/00; A47F 7/002;
A47F 7/00; A47F 5/13; A47F 5/01
See application file for complete search history.

(56) **References Cited**

U.S. PATENT DOCUMENTS

242,607 A	6/1881	Cutler	
1,303,090 A	5/1919	McCray	
2,606,091 A	8/1952	George et al.	
2,839,349 A	6/1958	Culver	
2,919,814 A	1/1960	Berkowitz	
3,013,853 A	12/1961	Toms	
3,339,994 A	9/1967	Reddig et al.	
3,355,231 A	11/1967	Kegel	
3,805,964 A *	4/1974	Titus, Jr.	F25D 25/02 211/59.2
3,992,069 A *	11/1976	Kitterman	A47J 47/14 312/244
4,228,903 A	10/1980	Eckert	
4,343,244 A	8/1982	Moriarty et al.	

OTHER PUBLICATIONS

Spicestack, Inc., Spice Stack Organizer (brochure), 2006, United States of America.

Primary Examiner — Cynthia R Underwood
(74) *Attorney, Agent, or Firm* — Lowe Graham Jones PLLC

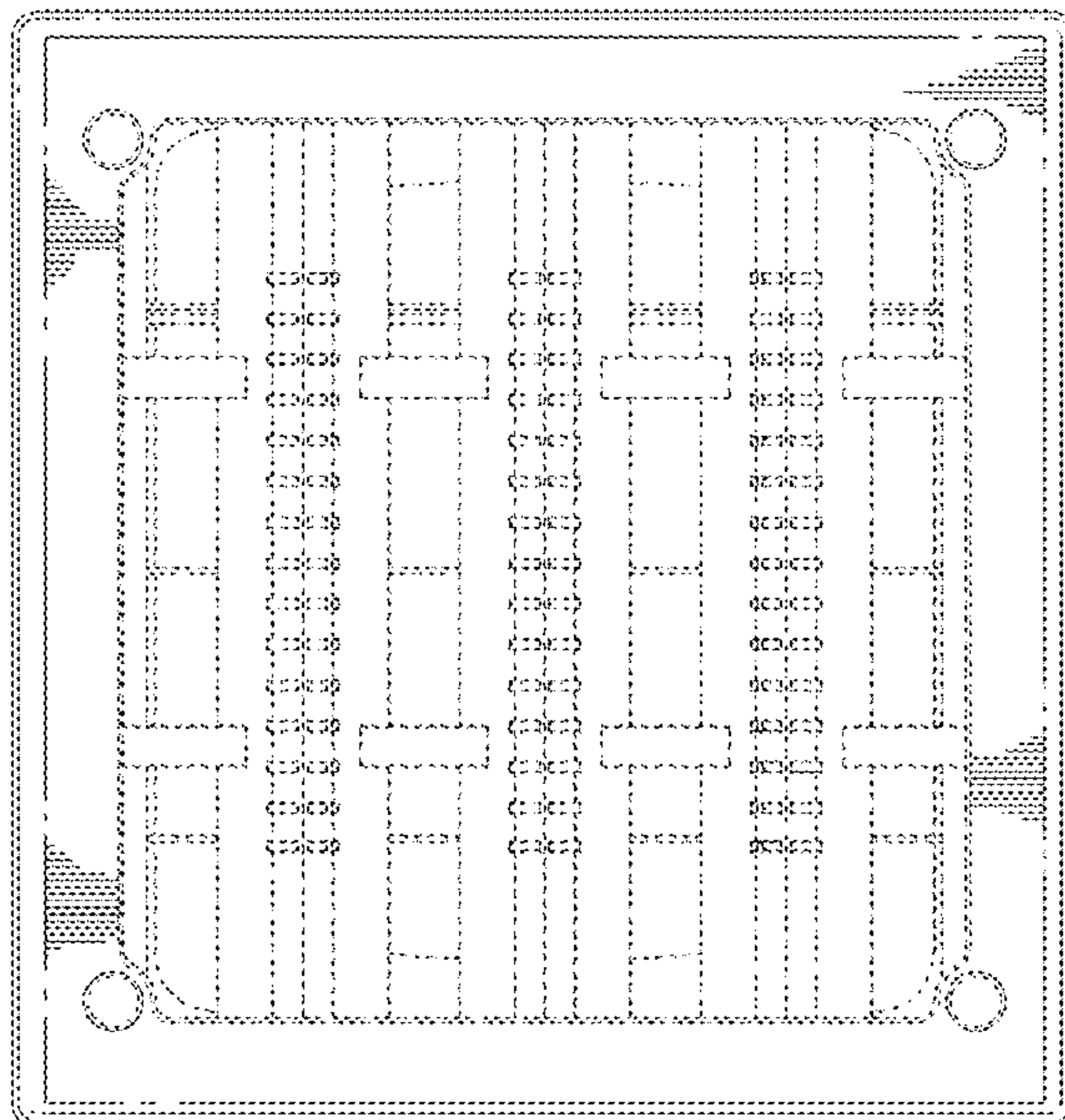
(57) **CLAIM**

I claim the ornamental design for a bottle organizer, as shown and described.

DESCRIPTION

FIG. 1 is a top perspective view of a bottle organizer, showing my new design.
FIG. 2 is a front elevational view of the bottle organizer.
FIG. 3 is a rear elevational view of the bottle organizer.
FIG. 4 is a left side elevational view of the bottle organizer.
FIG. 5 is a right side elevational view of the bottle organizer.
FIG. 6 is a top plan view of the bottle organizer; and,
FIG. 7 is a bottom plan view of the bottle organizer.
The broken lines depict portions of the article that form no part of the claimed design.

1 Claim, 7 Drawing Sheets



(56)

References Cited

U.S. PATENT DOCUMENTS

6,626,509	B2	9/2003	Remmers	
7,063,219	B2	6/2006	Fann et al.	
D644,069	S *	8/2011	Tiemann	D7/600.4
D660,652	S *	5/2012	Tiemann	D7/600.1
D661,950	S	6/2012	Greenwood	
D661,951	S *	6/2012	Tiemann	D7/600.1
D661,952	S *	6/2012	Tiemann	D7/600.1
D670,943	S *	11/2012	Hertaus	D6/705
D676,265	S *	2/2013	Tawil	D6/705.6
D676,715	S *	2/2013	Tsai	D7/600.1
D677,992	S *	3/2013	Greenwood	D7/600.1
D679,954	S *	4/2013	Snider	D7/600.1
D681,398	S *	5/2013	Tsai	D7/600.1
D682,039	S	5/2013	Tiemann	
D682,040	S	5/2013	Tiemann	
D684,404	S	6/2013	Hertaus	
D686,464	S	7/2013	Tiemann	
D691,858	S *	10/2013	Tiemann	D7/600.4
D701,432	S	3/2014	Tsai	
D703,005	S	4/2014	Tiemann	
D713,692	S	9/2014	Tsai	
9,211,009	B2	12/2015	Greenwood	
D769,073	S	10/2016	McCauley	
D802,369	S	11/2017	Hertaus et al.	
D831,430	S	10/2018	Hertaus	
D859,932	S *	9/2019	Greenwood	D7/600.4
D883,750	S *	5/2020	Chen	D7/590
2002/0066708	A1	6/2002	Gerard	
2006/0201417	A1 *	9/2006	Radow	A47B 71/00 118/306
2006/0266723	A1	11/2006	Nickerson	
2007/0228909	A1	10/2007	Hwang et al.	
2009/0045201	A1	2/2009	Cheng et al.	

* cited by examiner

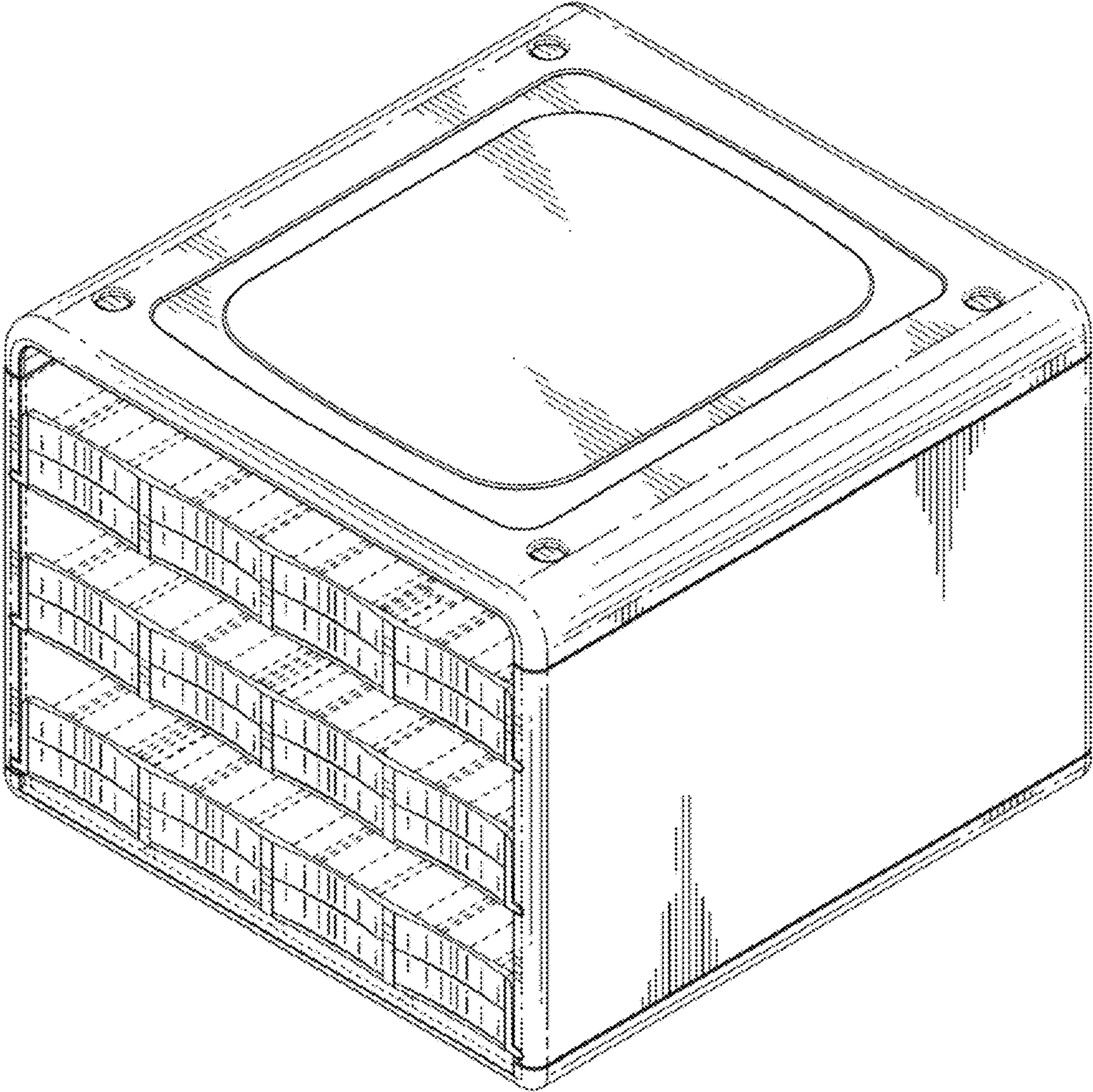


FIG. 1



FIG.2

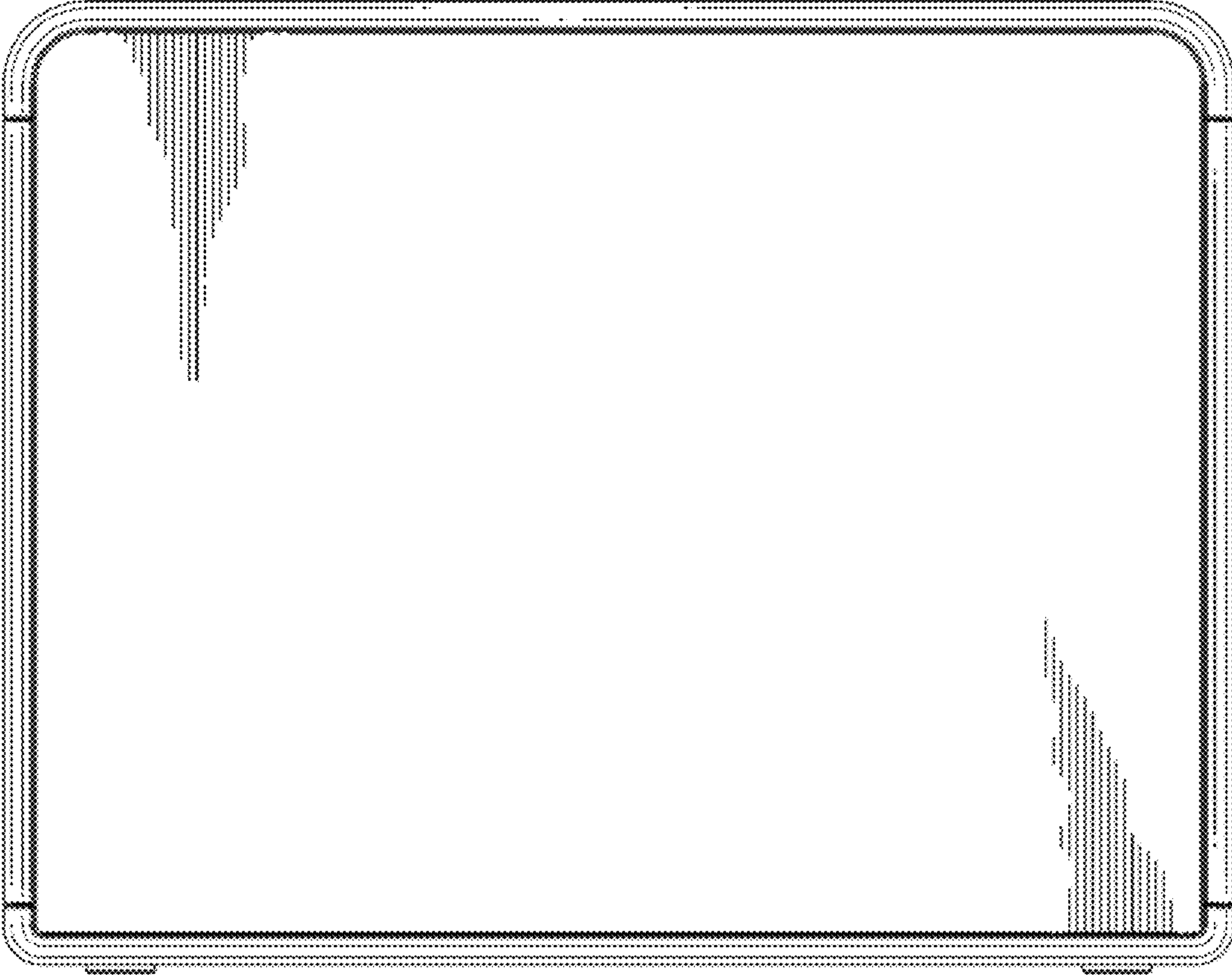


FIG.3

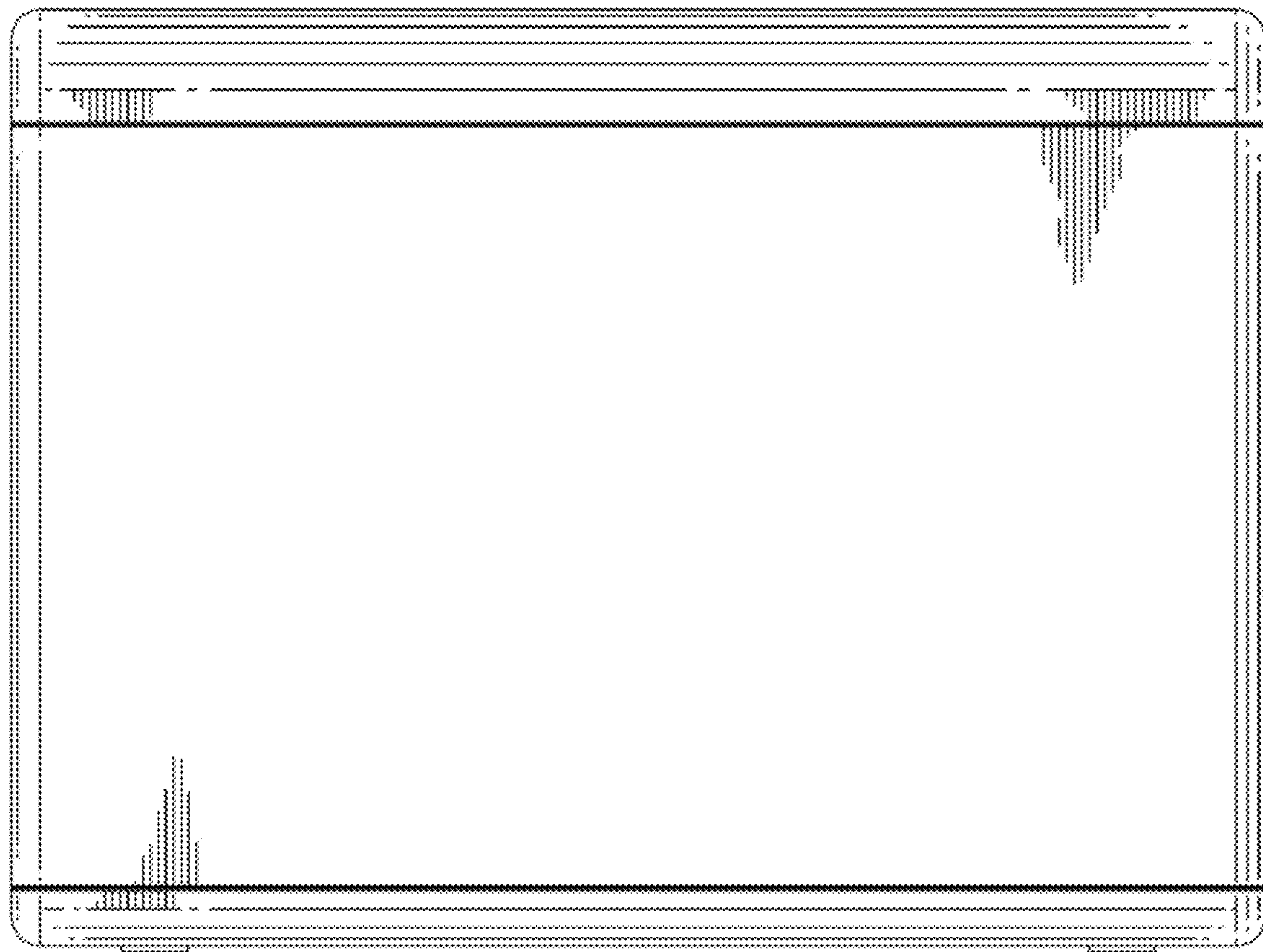


FIG.4

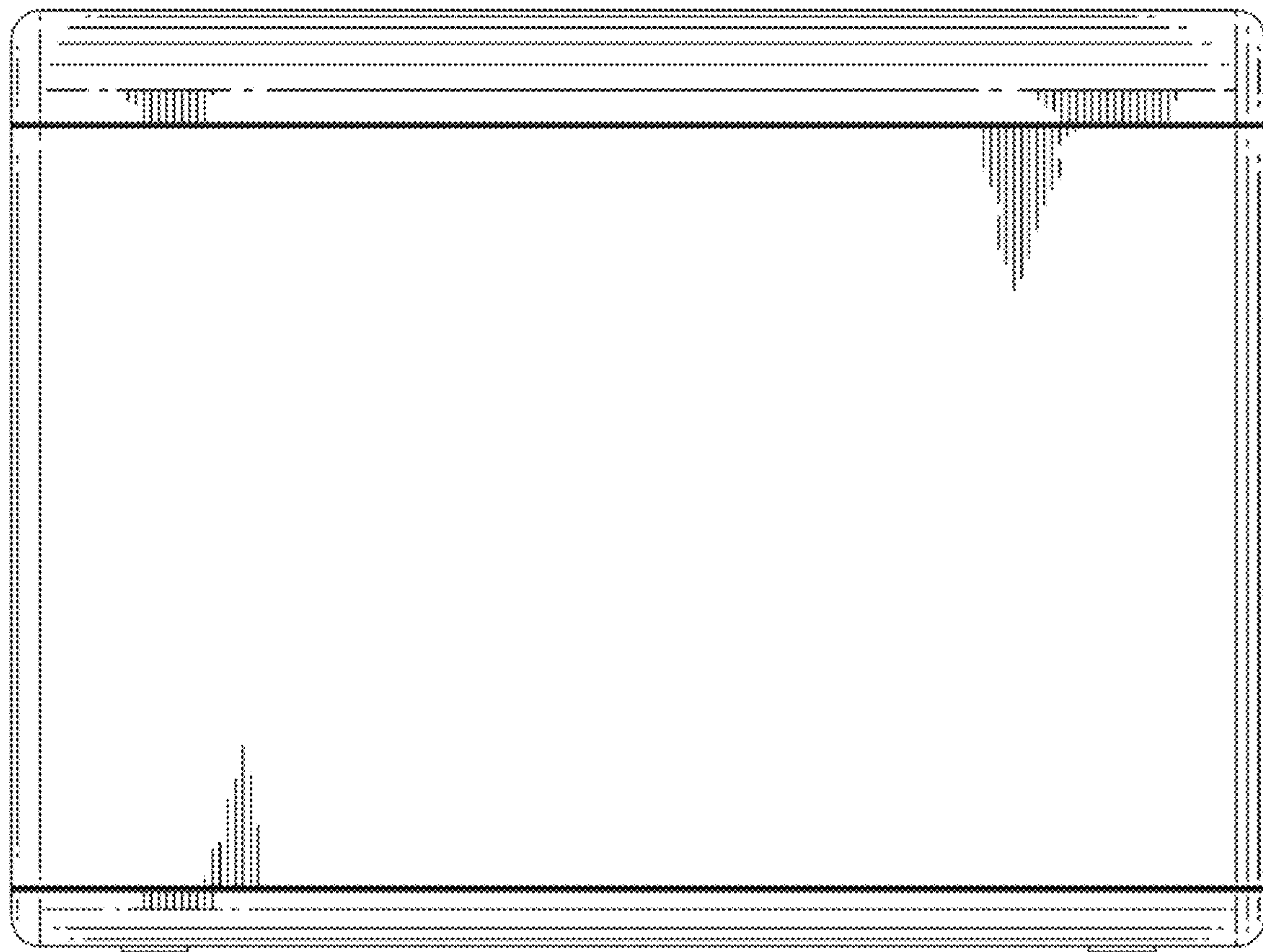


FIG. 5

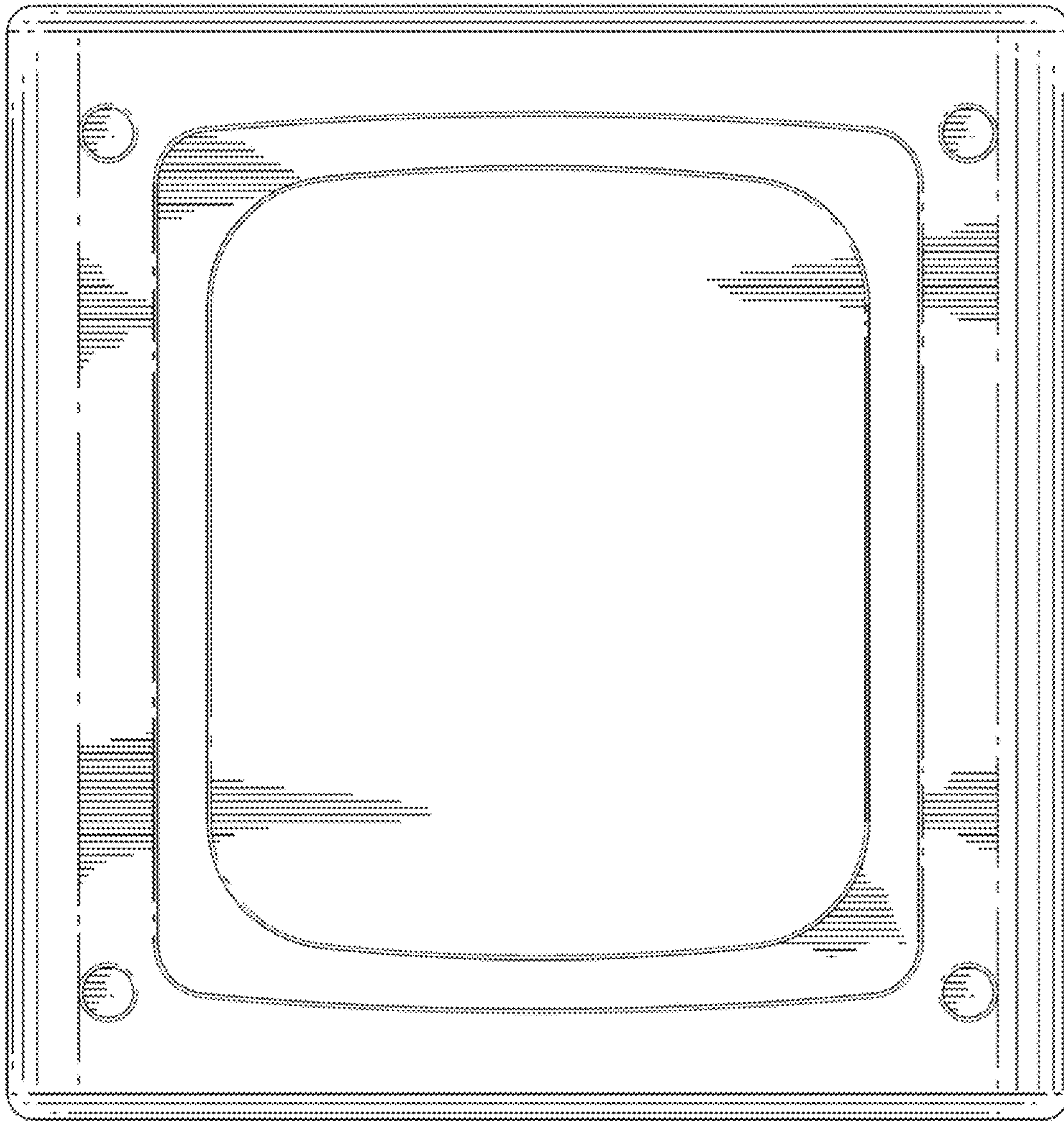


FIG. 6

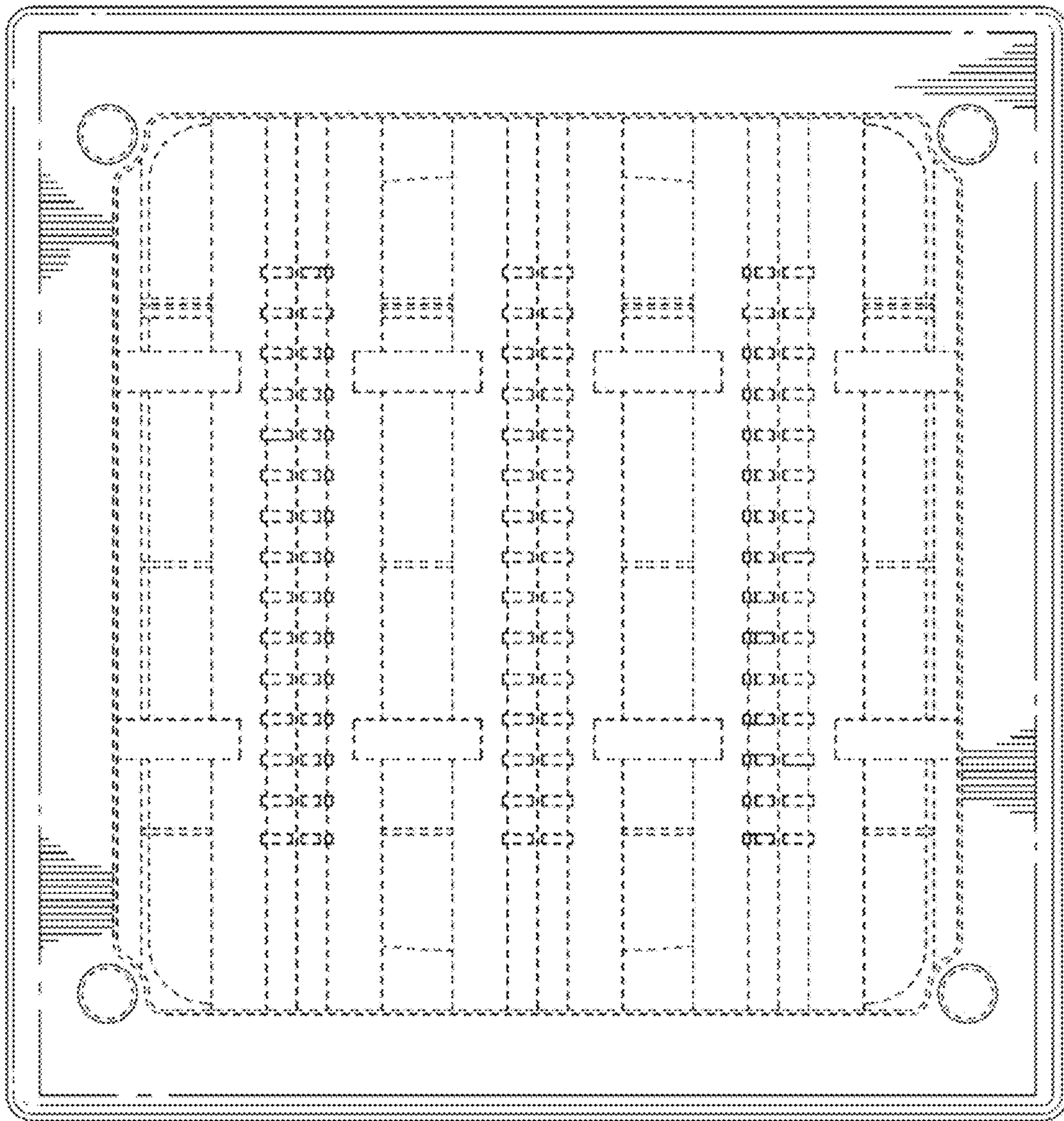


FIG. 7