



US00D919370S

(12) **United States Design Patent**
Manska et al.

(10) **Patent No.:** **US D919,370 S**
(45) **Date of Patent:** **** May 18, 2021**

(54) **TULIP GLASS**

FOREIGN PATENT DOCUMENTS

(71) Applicants: **George Frederich Manska**, Las Vegas, NV (US); **Lynda Grace Schultz**, Las Vegas, NV (US); **Christine Renea Crnek**, Henderson, NV (US)

WO WO2006/130896 12/2006 A47G 19/12
WO WO 2013/002972 A1 1/2020 B65D 90/12

Primary Examiner — Jae Liang

(72) Inventors: **George Frederich Manska**, Las Vegas, NV (US); **Lynda Grace Schultz**, Las Vegas, NV (US); **Christine Renea Crnek**, Henderson, NV (US)

(57) **CLAIM**

The ornamental design for a tulip glass, as shown and described.

(**) Term: **15 Years**

DESCRIPTION

(21) Appl. No.: **29/728,846**

Design Pat. No. USD663165S1 by two of the same inventors herein established the straight, angled rim flare portion of this patent. Design Pat. No. US20130273224A1 filed with USPTO on Jun. 27, 2011, published Oct. 17, 2013 with utility patent application subsequently submitted and is at this submission under examination.

(22) Filed: **Mar. 21, 2020**

FIG. 1 is a top view of a tulip glass showing my new design; FIG. 2 is a cross sectional view thereof showing a section taken along line 2-2 of FIG. 1;

(51) **LOC (13) Cl.** **07-01**

(52) **U.S. Cl.**

USPC **D7/524; D7/537**

FIG. 3 is an elevation side view thereof; all sides being identical;

(58) **Field of Classification Search**

USPC D7/524, 525, 526, 527, 528, 510, 511, D7/392.1, 396.2, 387, 393, 396.6, 213, D7/523, 537; D9/435, 436, 439, 447, D9/503, 504, 562; D27/102, 103, 118, D27/109, 138

FIG. 4 is a bottom view;

CPC B65D 41/04; B65D 43/02; A47G 19/2288; A47G 19/2266

FIG. 5 is a perspective view exposing the vessel mouth; and, FIG. 6 is a perspective view exposing the vessel bottom.

See application file for complete search history.

Diagonal cross-hatching in FIG. 2 are to illustrate solid material in the section, and are not part of the claimed design. Shading lines in all Figures are provided for illustrative purposes only to provide a sense of shape and are not part of the claimed design.

(56) **References Cited**

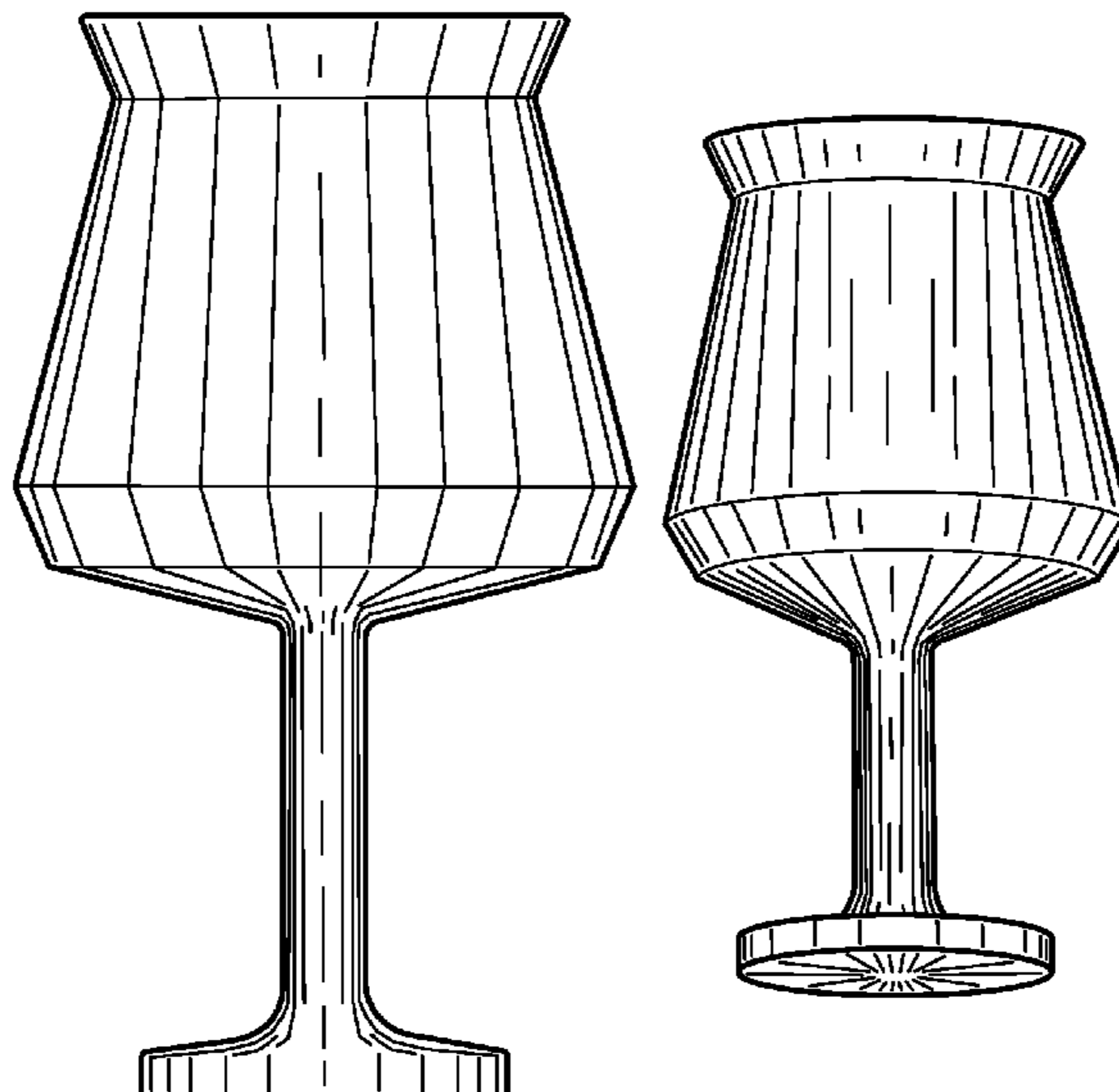
U.S. PATENT DOCUMENTS

D4,118 S 8/1870 Roebuck D34/2
D24,785 S 10/1895 Gaither D7/523
599,286 A 2/1898 McAusland 220/574
D52,652 S * 11/1918 Heisey D7/524
D74,401 S 2/1928 Venon
D80,580 S * 2/1930 Orme D7/527

Ornamental design features are distinctive straight bowl sides vertically convergent from the lower part of the bowl toward the rim, straight angled flare, stem, and foot to eliminate all visual curves in elevation except minimal radii which may be required for manufacturing feasibility between the convergent angled sides and flares, and are required for the attachment of stem to lower bowl and foot to stem, a straight flare at the top rim of the vessel, and a substantially large diameter stem and substantially thick vertical height foot.

(Continued)

1 Claim, 2 Drawing Sheets



(56)

References Cited

U.S. PATENT DOCUMENTS

D102,062 S	11/1936	Morrison	D7/509	D459,156 S	6/2002	Davidson	D7/524
D108,746 S	3/1938	Hudson	D7/523	D463,615 S	9/2002	Habibi et al.	D27/138
D108,787 S *	3/1938	Kostellow	D7/527	D495,210 S	8/2004	Rosow	D7/524
D136,625 S *	11/1943	Richards	D7/537	D515,927 S	2/2006	Smay et al.	D9/503
2,347,658 A	5/1944	Bourne	A47G 19/02	7,128,687 B2	10/2006	Lewis	220/675
D154,729 S *	8/1949	Wohinc	D7/524	D544,306 S *	6/2007	Festa	D7/300.1
3,243,068 A	3/1966	Huston	215/10	D544,652 S	6/2007	Nylen et al.	D30/125
3,482,731 A	12/1969	Douty	B65D 25/24	D575,108 S	8/2008	Barducci	D7/523
3,499,569 A	3/1970	Wentzel	215/374	D582,213 S	12/2008	Kehrein et al.	D7/523
D221,170 S *	7/1971	Benes	D7/524	D617,148 S *	6/2010	Musso	D7/524
4,363,479 A *	12/1982	Urasaki	A47G 19/2227	D658,539 S	5/2012	Harshman	D11/146
				215/6	D660,195 S	5/2012	Harshman	D11/146
4,555,040 A	11/1985	Butenschon	B65D 23/16	D663,165 S	7/2012	Manska et al.	D7/523
D286,390 S	10/1986	Groce	D11/157	D698,200 S	1/2014	Lauwagie	D7/509
D334,321 S	3/1993	Falzorano	D7/527	D766,040 S *	9/2016	Kehrein	D7/523
D351,121 S *	10/1994	Lauchlan	D11/143	D798,666 S	10/2017	Koch et al.	D7/523
5,482,456 A *	1/1996	Jwayad	F21S 19/00	D801,119 S	10/2017	Petre et al.	D7/523
				431/295	D815,912 S	4/2018	Willat et al.	D7/523
D442,101 S	5/2001	Kochie	D26/9	D828,096 S	9/2018	Moore et al.	D7/523
					D829,055 S *	9/2018	Wearden	D7/524
					2012/0228166 A1	9/2012	Mitchell	D65D 23/00
					2013/0273224 A1	10/2013	Manska et al.	A47G 19/22

* cited by examiner

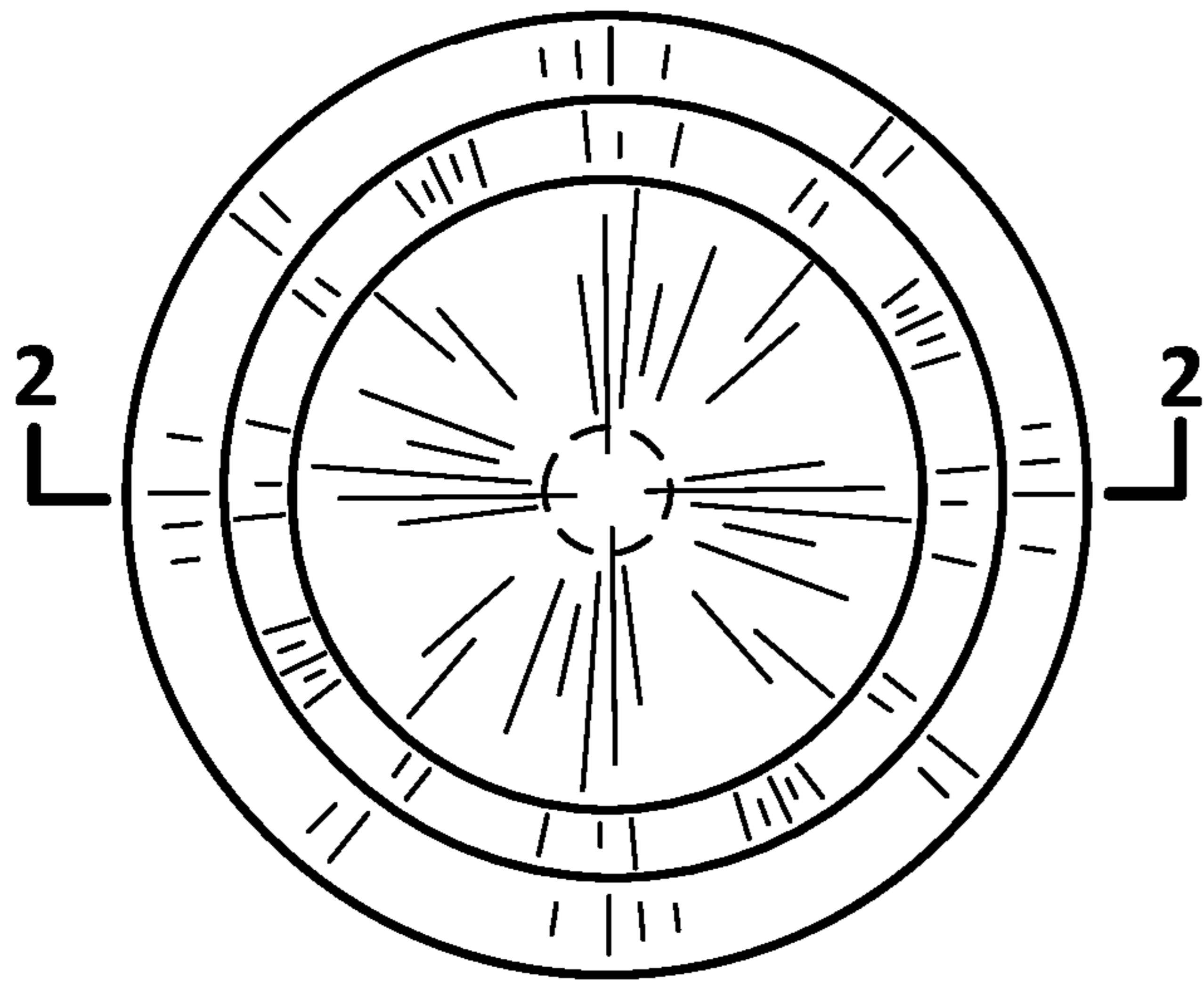


Fig. 1

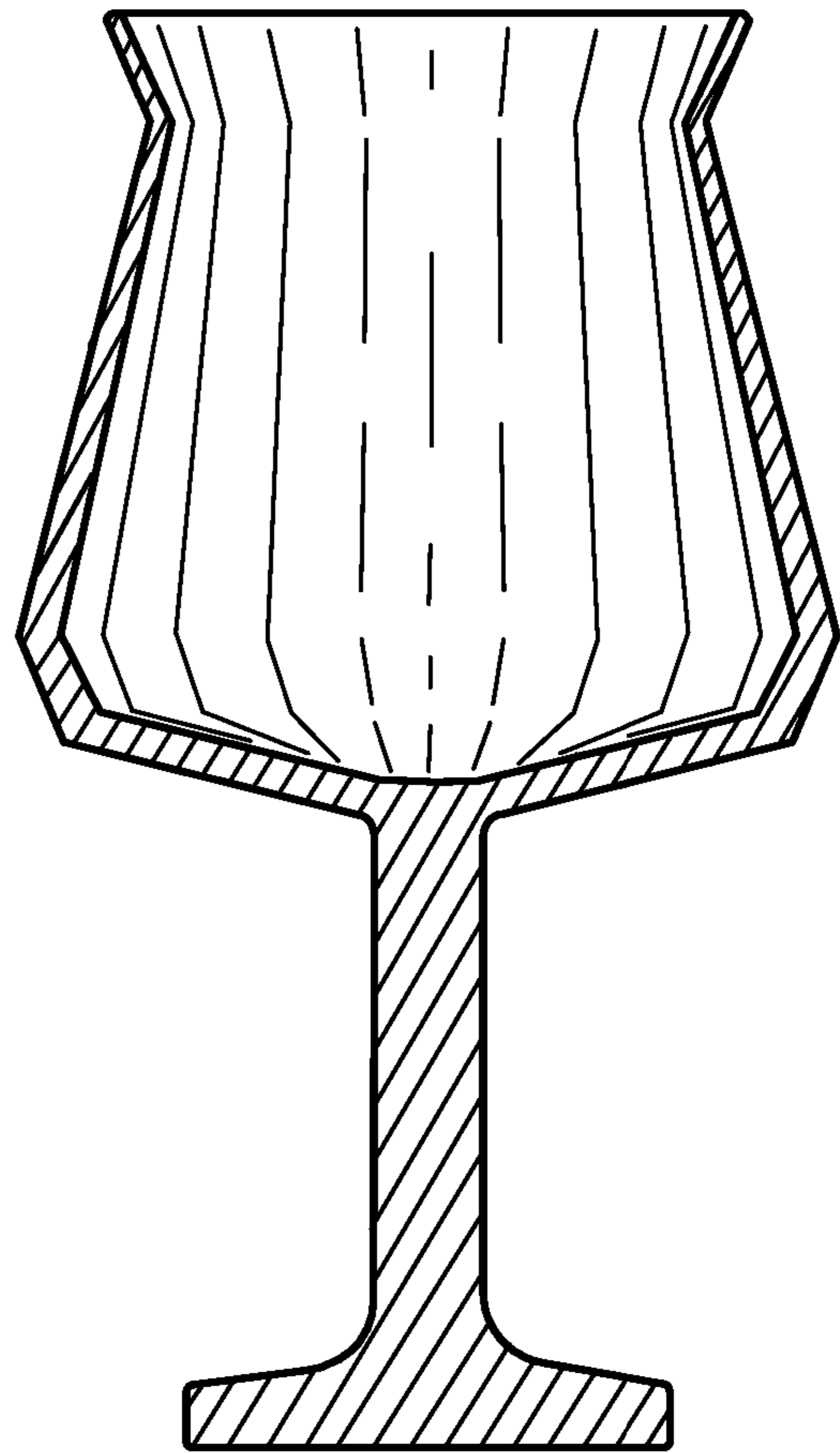


Fig. 2

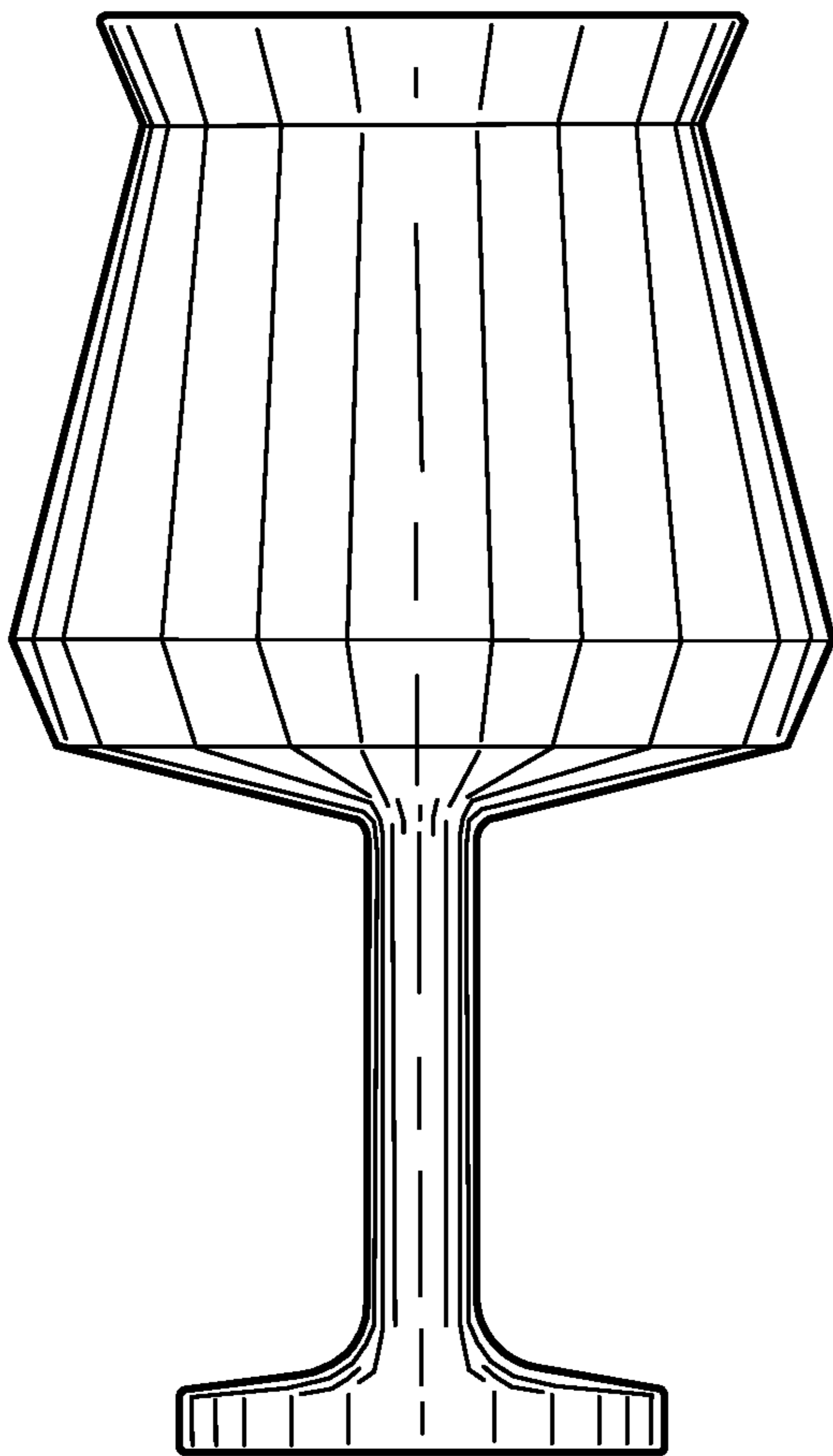


Fig. 3

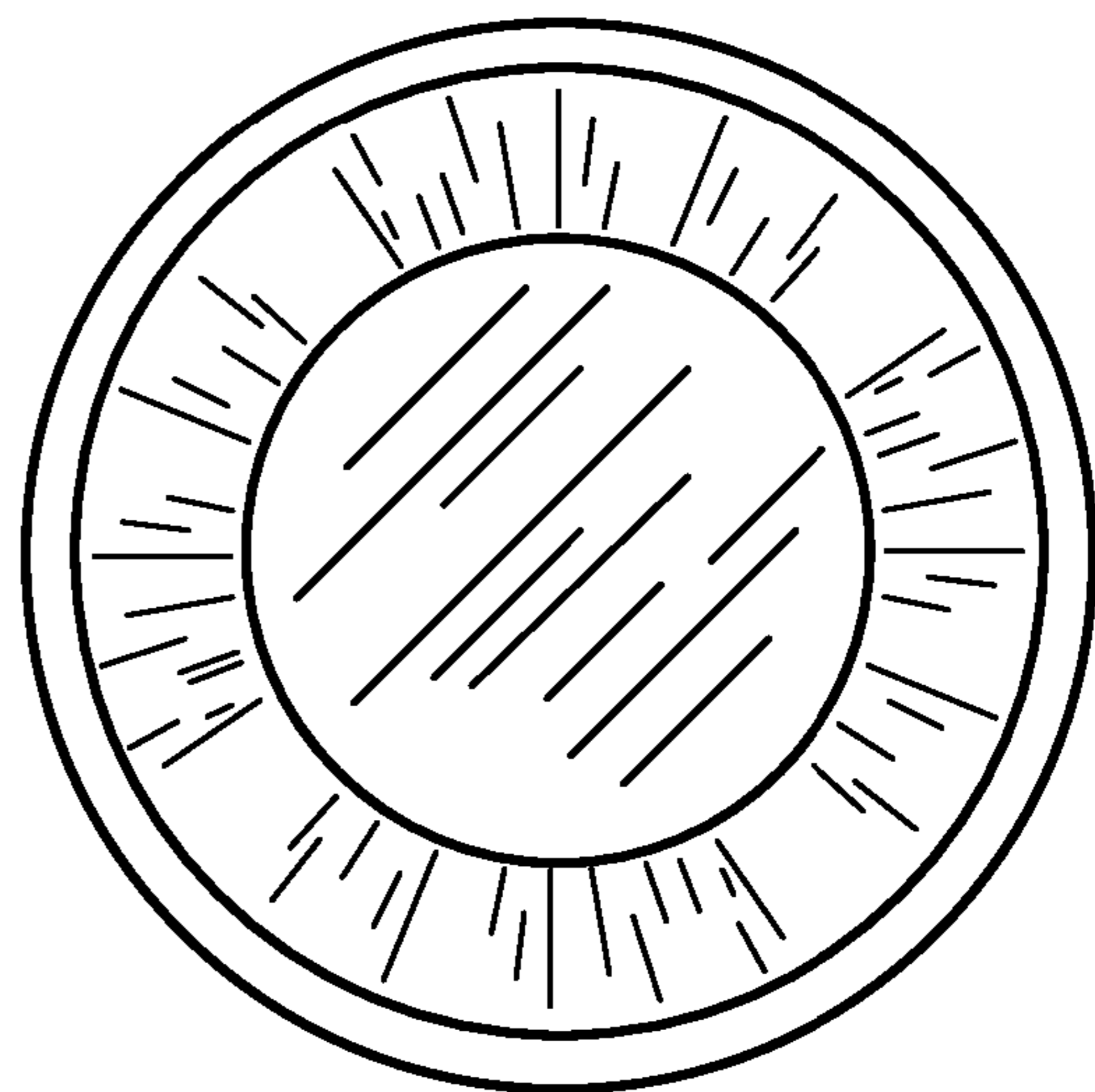


Fig. 4

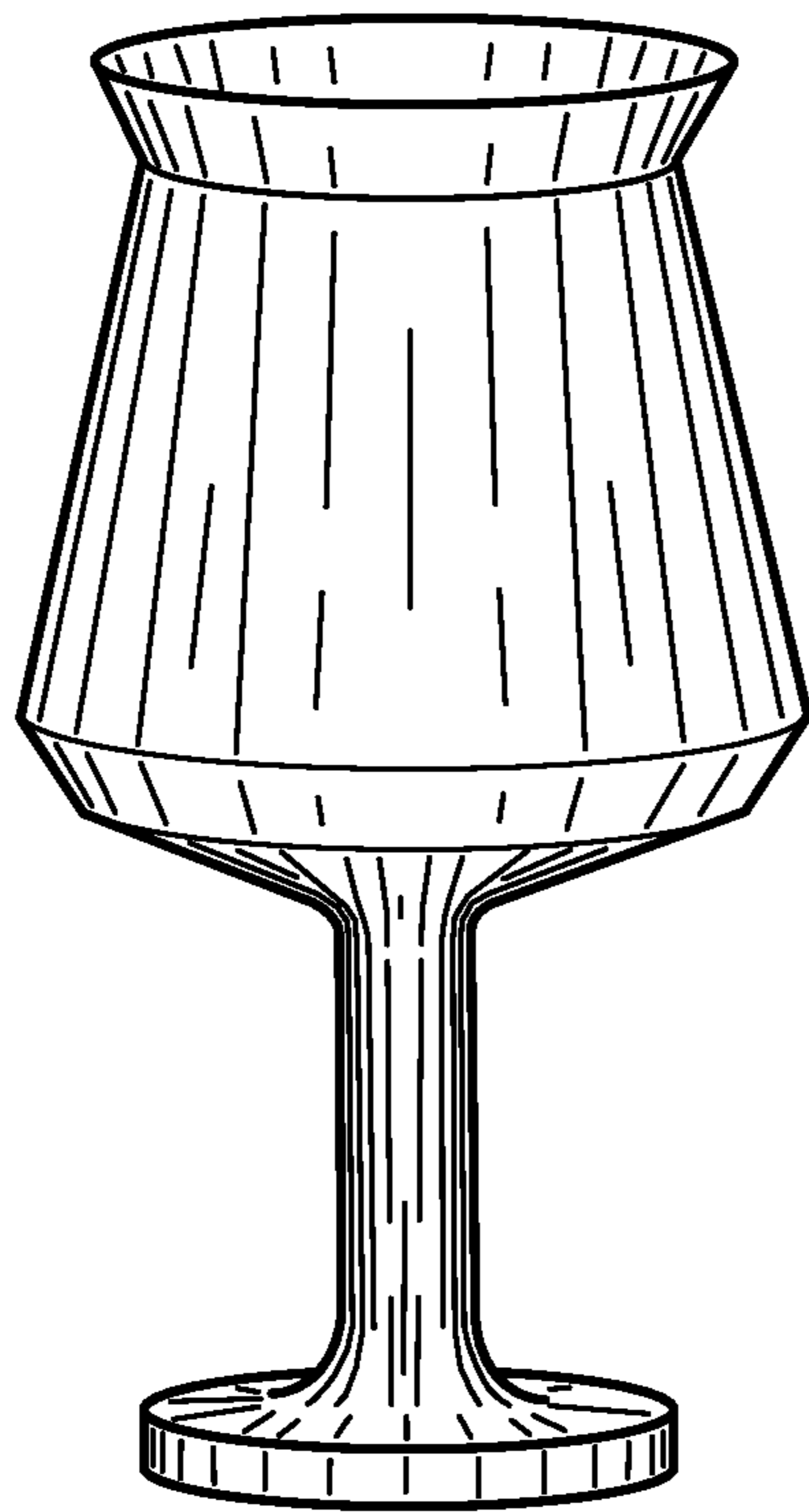


Fig. 5

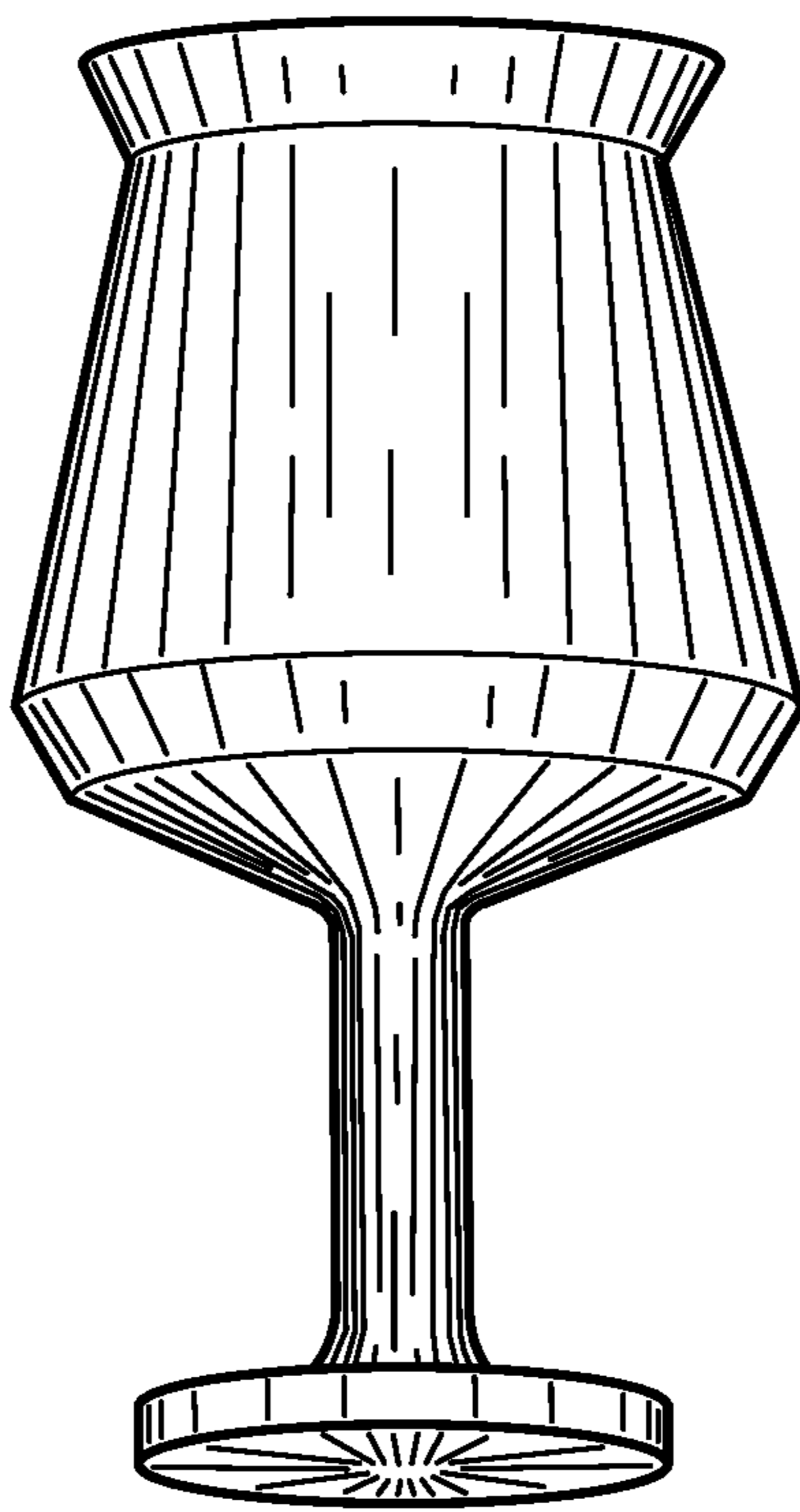


Fig. 6