



US00D919368S

(12) **United States Design Patent** (10) **Patent No.:** **US D919,368 S**
Bannister et al. (45) **Date of Patent:** **** May 18, 2021**

(54) **BLENDER CONTAINER**

(56)

References Cited

(71) Applicant: **SHARKNINJA OPERATING LLC**,
Needham, MA (US)

(72) Inventors: **Sam William Bannister**, Leybourne
(GB); **Michael Sloban, Jr.**, Cambridge,
MA (US)

(73) Assignee: **SHARKNINJA OPERATING LLC**,
Needham, MA (US)

(**) Term: **15 Years**

(21) Appl. No.: **29/740,272**

(22) Filed: **Jul. 2, 2020**

U.S. PATENT DOCUMENTS

293,190 A	2/1884	Moore
959,581 A	5/1910	Newton
1,997,914 A	4/1935	Pollard
2,121,621 A	6/1938	Adams
2,121,622 A	6/1938	Bean
2,209,559 A	7/1940	Brennan et al.
2,355,010 A	8/1944	Pera
2,616,593 A	11/1952	Leibenhaut
2,761,659 A	4/1956	Collura
2,885,134 A	5/1959	Cohen
2,992,118 A	7/1961	Daline
3,288,344 A	11/1966	Woollen et al.
3,406,868 A	10/1968	Rogers
3,521,863 A	7/1970	Graham
3,534,435 A	10/1970	John
3,557,411 A	1/1971	Ravasi
D242,208 S	11/1976	Madl et al.
4,016,998 A	4/1977	Finch
4,185,072 A	1/1980	Puderbaugh et al.
D255,313 S	6/1980	Elkerbout
4,645,097 A	2/1987	Kaufman
4,928,857 A	5/1990	Ecker
4,955,724 A	9/1990	Otto
5,005,717 A	4/1991	Oilar
5,168,797 A	12/1992	Wang
5,257,862 A	11/1993	Gardner
5,328,262 A	7/1994	Lidgren et al.
D349,455 S	8/1994	Kostanecki et al.
5,348,391 A	9/1994	Murray
D351,993 S	11/1994	Kaufman et al.
5,368,386 A	11/1994	Murray
5,423,476 A	6/1995	Ferrer
5,460,264 A	10/1995	Rupert
5,501,520 A	3/1996	Lidgren et al.
5,558,257 A	9/1996	Braun
5,597,089 A	1/1997	Smith
5,603,567 A	2/1997	Peacock
D378,493 S	3/1997	Subbaraman et al.
D380,674 S	7/1997	Smith
5,662,032 A	9/1997	Baratta
5,667,101 A	9/1997	Barrash et al.
5,690,021 A	11/1997	Grey
5,797,680 A	8/1998	Murray
5,857,771 A	1/1999	Draenert
D413,798 S	9/1999	LaMarra
5,957,340 A	9/1999	Sawicki
6,065,861 A	5/2000	Chen
6,092,905 A	7/2000	Koehn
6,135,019 A	10/2000	Chou

Related U.S. Application Data

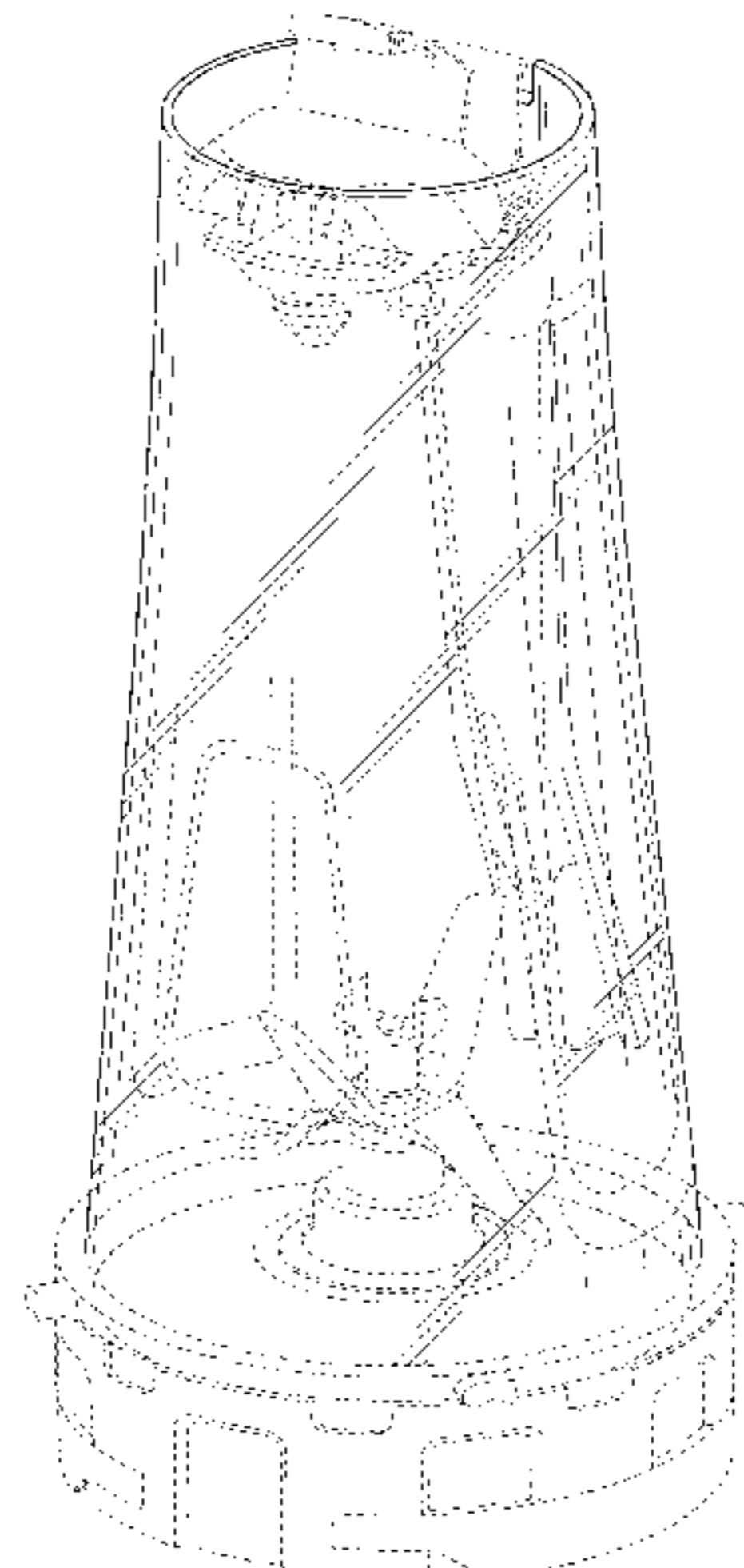
(63) Continuation of application No. 29/694,049, filed on
Jun. 6, 2019.

(51) **LOC (13) Cl.** **31-00**

(52) **U.S. Cl.**
USPC **D7/413; D7/376; D7/378**

(58) **Field of Classification Search**
USPC **D7/372, 376-386, 412-413, 602, 629,**
D7/665-666, 669, 679, 693-694
CPC .. **A21C 1/02; A21C 1/04; A23G 9/224; A23N**
1/00; A23N 1/02; A47J 43/04; A47J
43/25; A47J 43/27; A47J 43/042; A47J
43/044; A47J 43/046; A47J 43/075; A47J
43/0716; A47J 43/0722; A47J 43/0727;
A47J 43/0766; B01F 3/00; B01F 3/0807;
B01F 3/0853; B01F 13/0059; B01F
13/0064; B02C 1/08; B02C 2/04; B02C
4/42; B02C 4/142; B02C 4/143; B02C
4/423; B02C 13/1835; B28C 5/10; B28C
5/12; B28C 5/14; B28C 5/16; B65D
79/005

See application file for complete search history.



US D919,368 S

6,213,358 B1	4/2001	Libit et al.	D739,678 S	9/2015	Benoit et al.
6,223,652 B1	5/2001	Calia et al.	D740,063 S	10/2015	Katz
6,321,977 B1	11/2001	Lee	9,149,065 B2	10/2015	Hoare et al.
6,491,961 B1	12/2002	Balentine et al.	D742,691 S	11/2015	Zhang
6,499,873 B1	12/2002	Chen	D743,204 S	11/2015	Zhang
6,712,496 B2	3/2004	Kressin et al.	9,199,779 B2	12/2015	Zoss et al.
D490,468 S	5/2004	Akers	D747,135 S	1/2016	Ha
6,780,454 B2	8/2004	Balentine et al.	9,295,358 B2	3/2016	Vastardis et al.
D498,642 S	11/2004	Huang	D755,003 S	5/2016	Palermo et al.
D498,643 S	11/2004	Pryor, Jr. et al.	9,345,795 B2	5/2016	Saura Lopez et al.
6,817,280 B2	11/2004	Hall et al.	9,402,405 B2	8/2016	Vastardis et al.
6,817,750 B1	11/2004	Sands	9,402,410 B2	8/2016	So
6,860,313 B2	3/2005	Greissing et al.	9,414,711 B2	8/2016	Tonelli et al.
D518,332 S	4/2006	Feil	D765,465 S	9/2016	Du
7,044,051 B2	5/2006	Le Rouzic	D767,334 S	9/2016	Pan
7,066,640 B2	6/2006	Sands	D768,437 S	10/2016	Lane
7,100,851 B2	9/2006	Hiraki et al.	D769,061 S	10/2016	Diderotto
7,104,185 B2	9/2006	Leung et al.	9,474,403 B2	10/2016	Chen
D530,568 S	10/2006	Wingenter	D771,434 S	11/2016	Burrows
D537,303 S	2/2007	Stuckey	D771,999 S	11/2016	Kettavong et al.
D538,595 S	3/2007	White et al.	9,486,107 B2	11/2016	Kobylarz
D559,037 S	1/2008	Johansson	D776,978 S	1/2017	Machovina et al.
D560,512 S	1/2008	Safar	9,555,384 B2	1/2017	Haney et al.
7,314,136 B2	1/2008	Stefandl	D778,665 S	2/2017	Barquin et al.
D564,832 S	3/2008	Bodum	D779,265 S	2/2017	Barquin et al.
7,422,362 B2	9/2008	Sands	9,565,872 B2	2/2017	Corkin et al.
D578,340 S	10/2008	Picozza et al.	D780,507 S	3/2017	Barquin et al.
7,430,957 B2	10/2008	Sands	D783,340 S	4/2017	Palermo et al.
7,441,944 B2	10/2008	Sands	D783,355 S *	4/2017	Tu D7/413
7,490,743 B2	2/2009	Herzog	D784,761 S	4/2017	Tu
7,543,925 B2	6/2009	Ishizawa et al.	9,624,024 B2	4/2017	Vilinsky
D605,462 S	12/2009	Picozza et al.	9,630,828 B1	4/2017	Gardner
7,858,135 B2	12/2010	Radosav	D789,735 S	6/2017	Palermo et al.
7,958,819 B2	6/2011	Sands	D789,736 S	6/2017	Palermo et al.
D642,858 S	8/2011	Lazzer	9,675,212 B2 *	6/2017	Hewitt B65D 79/005
D644,072 S	8/2011	McDonald et al.	9,687,111 B1	6/2017	Trojan
D644,875 S	9/2011	Audette	D793,153 S	8/2017	Tu
8,021,699 B2	9/2011	Yoshikawa et al.	D794,384 S	8/2017	Lee
D647,357 S	10/2011	Audette et al.	D797,496 S	9/2017	Gee, II et al.
D647,367 S	10/2011	Audette et al.	D798,101 S	9/2017	Rose et al.
8,047,124 B2	11/2011	Lin	9,763,461 B2	9/2017	Vastardis et al.
8,047,702 B1	11/2011	Lopresti	D804,248 S *	12/2017	Tu D7/413
D654,316 S	2/2012	Audette	D807,700 S	1/2018	Tu
8,122,821 B2	2/2012	Sands	D808,718 S	1/2018	Coakley
D663,580 S	7/2012	Vagnby	D808,719 S	1/2018	Coakley
D668,115 S	10/2012	Potter	9,855,535 B2	1/2018	Arnett et al.
D670,958 S	11/2012	Picozza et al.	D809,333 S	2/2018	Lee
8,383,180 B2	2/2013	Vastardis	9,888,807 B2	2/2018	Starr et al.
D677,976 S	3/2013	Palermo et al.	D811,806 S	3/2018	Bock
8,387,520 B2	3/2013	Backus	D813,603 S *	3/2018	Tu D7/413
8,475,860 B2	7/2013	Colantonio et al.	D813,604 S	3/2018	Tu
8,485,383 B2	7/2013	Taufur	9,907,430 B2	3/2018	Vastardis et al.
8,561,314 B2	10/2013	Kruger	9,924,824 B2	3/2018	Backus
8,568,811 B2	10/2013	Sasame et al.	9,924,837 B1	3/2018	Trojan
8,586,117 B2	11/2013	Vastardis et al.	9,924,838 B2	3/2018	Potter et al.
8,672,533 B2	3/2014	Reyes et al.	9,930,986 B2	4/2018	Arai et al.
D704,502 S	5/2014	Coakley et al.	D816,383 S	5/2018	Liang
D705,606 S	5/2014	Coakley et al.	9,962,030 B2	5/2018	Avins et al.
8,770,099 B2	7/2014	Reyhanloo	9,993,105 B2	6/2018	Bishop et al.
D711,688 S	8/2014	Prats	9,999,319 B2	6/2018	Kim
8,807,022 B2	8/2014	Backus	D821,806 S	7/2018	Coakley et al.
D712,188 S	9/2014	Averty	10,055,347 B1	8/2018	Trojan
8,869,686 B2	10/2014	Backus	D832,029 S	10/2018	Gee, II et al.
D721,536 S	1/2015	Advani	10,105,003 B2	10/2018	Tsutsumi et al.
8,960,084 B2	2/2015	Lee	10,117,444 B2	11/2018	Vastardis et al.
8,960,578 B2	2/2015	Byrne	10,123,650 B2	11/2018	McLaughlin et al.
8,960,993 B2	2/2015	Cheio De Oliveira et al.	D834,878 S	12/2018	Moon et al.
D727,173 S	4/2015	De Jong	D835,463 S	12/2018	Coakley
8,997,633 B2	4/2015	Bishop et al.	10,143,323 B2	12/2018	Backus
8,998,176 B2	4/2015	Bishop et al.	10,182,680 B2	1/2019	Koetz
D728,381 S	5/2015	Ferraro	10,196,595 B2	2/2019	Butte
D730,682 S	6/2015	Tu	10,213,047 B2	2/2019	Boggavarapu
D730,683 S	6/2015	Tu	D842,643 S	3/2019	Mullen et al.
D731,242 S	6/2015	Machovina et al.	D842,644 S	3/2019	Kettavong et al.
D731,243 S	6/2015	Machovina et al.	10,226,147 B2	3/2019	Harper
9,051,073 B2	6/2015	Jennings et al.	D846,337 S *	4/2019	Duan D7/378
D733,488 S	7/2015	Tu	D846,338 S	4/2019	Smith et al.
D734,637 S	7/2015	Benoit et al.	D846,339 S	4/2019	Smith
9,113,750 B2	8/2015	Clark et al.	10,299,629 B2 *	5/2019	Bascom A47J 43/046

US D919,368 S

D851,982 S	6/2019	Deleo et al.	2018/0199762 A1	7/2018	Kim
D852,566 S	7/2019	Chen	2018/0220829 A1	8/2018	Zhang et al.
D860,724 S	9/2019	Kassin et al.	2018/0222679 A1	8/2018	Iwasaka et al.
D865,438 S	11/2019	Coakley et al.	2018/0296022 A1	10/2018	Avins et al.
D867,804 S	11/2019	Gronkowski	2018/0310769 A1	11/2018	Kim
10,617,260 B2 *	4/2020	Sapire A47J 43/0716	2018/0326378 A1	11/2018	Moon
10,736,465 B2 *	8/2020	Dickson, Jr. A47J 43/044	2018/0360256 A1	12/2018	Ford et al.
10,799,071 B2 *	10/2020	Pamplin A47J 43/0766	2018/0360271 A1	12/2018	Katsuki et al.
2001/0000570 A1	5/2001	Aarts	2019/0000272 A1	1/2019	Katsuki et al.
2002/0009401 A1	1/2002	Osborn	2019/0009233 A1	1/2019	Furman et al.
2003/0227818 A1	12/2003	Villwock et al.	2019/0059409 A1	2/2019	Vastardis et al.
2004/0025703 A1	2/2004	Ming	2020/0281408 A1	9/2020	Bannister et al.
2004/0065668 A1	4/2004	Lee	2020/0281409 A1	9/2020	Bannister et al.
2004/0155063 A1	8/2004	Hofeldt	2020/0281410 A1	9/2020	Bannister et al.
2004/0159243 A1	8/2004	Theodos			
2004/0173105 A1	9/2004	Kim et al.			
2004/0195120 A1	10/2004	Anderson			
2004/0208079 A1	10/2004	Hein			
2005/0229795 A1	10/2005	Stuckey			
2005/0269336 A1	12/2005	Rockhill et al.			
2006/0000369 A1	1/2006	Hsu			
2006/0120215 A1	6/2006	Sands			
2006/0124536 A1	6/2006	Guerrero			
2007/0183256 A1	8/2007	Sands			
2008/0037360 A1 *	2/2008	McGill A23G 9/224 366/130			
2008/0067195 A1	3/2008	Jennings et al.			
2009/0084275 A1	4/2009	Liang			
2009/0165655 A1	7/2009	Aonuma			
2009/0229478 A1	9/2009	Wu			
2009/0266787 A1	10/2009	Son			
2009/0297671 A1	12/2009	Basker et al.			
2010/0003379 A1	1/2010	Zoss et al.			
2010/0203209 A1	8/2010	Fishbein et al.			
2011/0127297 A1	6/2011	Jennings et al.			
2012/0152131 A1	6/2012	Sands			
2012/0196014 A1	8/2012	Yao			
2013/0133521 A1	5/2013	Vastardis			
2014/0247686 A1	9/2014	Arnett et al.			
2014/0286123 A1 *	9/2014	Arnett A47J 43/0716 366/205			
2014/0290503 A1	10/2014	Bae			
2015/0059597 A1	3/2015	Lee			
2015/0098299 A1 *	4/2015	Sapire A47J 43/27 366/205			
2015/0138910 A1	5/2015	Cha et al.			
2015/0146496 A1	5/2015	Lucon et al.			
2015/0201808 A1	7/2015	Katsuki et al.			
2015/0208844 A1	7/2015	Liang			
2015/0351567 A1	12/2015	Tristram			
2016/0183582 A1	6/2016	Bauer			
2016/0220071 A1 *	8/2016	Hewitt A47J 43/0716			
2016/0255983 A1	9/2016	Barquin et al.			
2016/0324358 A1	11/2016	Backus			
2016/0324369 A1	11/2016	Lee			
2016/0331182 A1	11/2016	Golino			
2016/0345773 A1	12/2016	Tonelli et al.			
2016/0348962 A1	12/2016	Roekens et al.			
2016/0367063 A1	12/2016	Vastardis et al.			
2017/0007067 A1	1/2017	Shima et al.			
2017/0049260 A1	2/2017	Beber et al.			
2017/0086622 A1	3/2017	Chung			
2017/0095122 A1	4/2017	Hoare et al.			
2017/0143155 A1	5/2017	Lin			
2017/0150744 A1	6/2017	Wangler			
2017/0164776 A1	6/2017	Floessholzer et al.			
2017/0224166 A1	8/2017	Sedlacek et al.			
2017/0231431 A1	8/2017	Maeng			
2017/0245668 A1	8/2017	Upston et al.			
2017/0295982 A1	10/2017	Holzbauer et al.			
2017/0295992 A1	10/2017	Mangold et al.			
2017/0303571 A1	10/2017	Alden			
2017/0341253 A1	11/2017	Arriens et al.			
2018/0014695 A1	1/2018	Gross et al.			
2018/0043321 A1	2/2018	Mochizuki			
2018/0079584 A1	3/2018	Jung			
2018/0098666 A1	4/2018	Le			
2018/0192814 A1	7/2018	Gormley et al.			
2018/0192815 A1	7/2018	Vastardis et al.			

FOREIGN PATENT DOCUMENTS

CN	1987102824 A	10/1987
CN	1073149 A	6/1993
CN	1255841 A	6/2000
CN	2390533 Y	8/2000
CN	1432518 A	7/2003
CN	1162115 C	8/2004
CN	1525830 A	9/2004
CN	1586378 A	3/2005
CN	1213686 C	8/2005
CN	1655707 A	8/2005
CN	2730269 Y	10/2005
CN	1792306 A	6/2006
CN	1268263 C	8/2006
CN	2808015 Y	8/2006
CN	1282438 C	11/2006
CN	100337572 C	9/2007
CN	201001611 Y	1/2008
CN	201067329 Y	6/2008
CN	100418461 C	9/2008
CN	100522753 C	8/2009
CN	100581426 C	1/2010
CN	101663142 A	3/2010
CN	101238036 B	5/2010
CN	101291609 B	6/2010
CN	201505039 U	6/2010
CN	101779928 A	7/2010
CN	101181127 B	2/2011
CN	102058327 A	5/2011
CN	102083345 A	6/2011
CN	102123600 A	7/2011
CN	201899357 U	7/2011
CN	201977619 U	9/2011
CN	102245068 A	11/2011
CN	101854839 B	5/2012
CN	102429590 A	5/2012
CN	101637242 B	6/2012
CN	102670096 A	9/2012
CN	101522039 B	10/2012
CN	202681713 U	1/2013
CN	202698925 U	1/2013
CN	207613666 U	1/2013
CN	102984951 B	3/2013
CN	202875005 U	4/2013
CN	203074329 U	7/2013
CN	203447138 U	2/2014
CN	103857317 A	6/2014
CN	203647102 U	6/2014
CN	102355839 B	8/2014
CN	103960992 A	8/2014
CN	104305872 A	1/2015
CN	102292011 B	4/2015
CN	102631153 B	4/2015
CN	204274217 A	4/2015
CN	204600200 U	9/2015
CN	204698308 A	10/2015
CN	103813741 B	12/2015
CN	103354793 B	2/2016
CN	105455688 A	4/2016
CN	105520659 A	4/2016
CN	105686701 A	6/2016
CN	105919396 A	9/2016
CN	105996826 A	10/2016

US D919,368 S

Page 4

CN	205658804	U	10/2016	CN	108652478	A	10/2018
CN	106073538	A	11/2016	CN	108670063	A	10/2018
CN	106108596	A	11/2016	CN	207940815	U	10/2018
CN	106108599	A	11/2016	CN	108720603	A	11/2018
CN	106108709	A	11/2016	CN	108742189	A	11/2018
CN	106136903	A	11/2016	CN	108903698	A	11/2018
CN	106136961	A	11/2016	CN	208030887	U	11/2018
CN	106136962	A	11/2016	CN	109044075	A	12/2018
CN	103126552	B	12/2016	CN	109091035	A	12/2018
CN	106231966	A	12/2016	CN	109124296	A	1/2019
CN	106235907	A	12/2016	CN	305916020	S	7/2020
CN	106264202	A	1/2017	EP	0676161		7/1998
CN	106333616	A	1/2017	EP	3424380	A1	1/2019
CN	106361183	A	2/2017	GB	2556646	A	6/2018
CN	106377152	A	2/2017	JP	1523840		4/2015
CN	106377181	A	2/2017	JP	1528172	S	7/2015
CN	106419642	A	2/2017	JP	1559194		8/2016
CN	104720553	B	3/2017	JP	1618973		11/2018
CN	103720339	B	4/2017	JP	1618976		11/2018
CN	104853657	B	4/2017	JP	1659173		4/2020
CN	106580133	A	4/2017	KR	101821786		1/2018
CN	206062911	U	4/2017	WO	2008034020	A1	3/2008
CN	106659310	A	5/2017	WO	2008095309	A1	8/2008
CN	106724559	A	5/2017	WO	2009001244	A2	12/2008
CN	106724947	A	5/2017	WO	2015097606	A3	7/2015
CN	106742714	A	5/2017	WO	2016165454	A1	10/2016
CN	106798496	A	6/2017	WO	2017100326	A1	6/2017
CN	206227556	U	6/2017	WO	2017147059	A1	8/2017
CN	106974565	A	7/2017	WO	2017153341	A1	9/2017
CN	206295245	U	7/2017	WO	2017165422	A1	9/2017
CN	206324658	U	7/2017	WO	2017211987	A1	12/2017
CN	107019425	A	8/2017	WO	2018006776	A1	1/2018
CN	107019441	A	8/2017	WO	2018007831	A1	1/2018
CN	107049072	A	8/2017	WO	2018014226	A1	1/2018
CN	107088005	A	8/2017	WO	2018024371	A1	2/2018
CN	107095598	A	8/2017	WO	2018043872	A1	3/2018
CN	107148234	A	9/2017	WO	2018071589	A1	4/2018
CN	107157356	A	9/2017	WO	2018072504	A1	4/2018
CN	107212772	A	9/2017	WO	2018072505	A1	4/2018
CN	206453647	U	9/2017	WO	2018075446	A1	4/2018
CN	107224225	A	10/2017	WO	2018092997	A1	5/2018
CN	107280517	A	10/2017	WO	2018103312	A1	6/2018
CN	107303150	A	10/2017	WO	2018115402	A1	6/2018
CN	107319965	A	11/2017	WO	2018127716	A1	7/2018
CN	107373278	A	11/2017	WO	2018135697	A1	7/2018
CN	105682517	B	12/2017	WO	2018148418	A1	8/2018
CN	107411477	A	12/2017	WO	2018148954	A1	8/2018
CN	107411589	A	12/2017	WO	2018159958	A1	9/2018
CN	206688628	U	12/2017	WO	2018186598	A1	10/2018
CN	107595164	A	1/2018	WO	2018190537	A1	10/2018
CN	206867155	U	1/2018	WO	2018231103	A1	12/2018
CN	107713697	A	2/2018	WO	2018234275	A1	12/2018
CN	107713825	A	2/2018	WO	2019006983	A1	1/2019
CN	105902133	B	3/2018	WO	2019007920	A1	1/2019
CN	107788844	A	3/2018	WO	2019010504	A1	1/2019
CN	107822529	A	3/2018	WO	2019035592	A1	2/2019
CN	107874651	A	4/2018	WO	2019036486	A1	2/2019
CN	107912982	A	4/2018	WO	2019030803	A1	11/2019
CN	207168385	U	4/2018	WO	2019030805	A1	11/2019
CN	107997525	A	5/2018				
CN	108013791	A	5/2018				
CN	108065810	A	5/2018				
CN	108078438	A	5/2018				
CN	207341667	U	5/2018				
CN	108143312	A	6/2018				
CN	207506464	U	6/2018				
CN	108272359	A	7/2018				
CN	108283444	A	7/2018				
CN	207640256	U	7/2018				
CN	108378725	A	8/2018				
CN	108415344	A	8/2018				
CN	108451395	A	8/2018				
CN	108471901	A	8/2018				
CN	106580132	B	9/2018				
CN	108478009	A	9/2018				
CN	108577547	A	9/2018				
CN	108577597	A	9/2018				
CN	108601485	A	9/2018				
CN	108606663	A	10/2018				

OTHER PUBLICATIONS

US 6,592,248 B2, 07/2003, Kressin et al. (withdrawn)
 Amazon.com; "Addwin Countertop Blender Professional Commercial Mixer Blender"; Nov. 8, 2018; <https://www.amazon.com/dp/B07KBYWB7L/> (Year: 2018); 1 page.
 Chinese Application No. 201930680320X filed Dec. 6, 2019; Chinese Office Action with English Translation dated Jul. 23, 2020; 3 pages.
 International Search Report for International Application No. PCT/US2020/021728; International Filing Date: Mar. 9, 2020; dated Jul. 16, 2020; 7 pages.
 International Search Report for International Application No. PCT/US2020/037484; International Filing Date: Jun. 12, 2020; dated Sep. 22, 2020; 6 pages.
 Japanese Application No. 2020-11176 filed Jun. 5, 2020; Notice of Allowance dated Sep. 2, 2020; 6 pages.

Japanese Design Application No. 201927097 filed Dec. 6, 2019; Notice of Allowance dated Jun. 12, 2020; 10 pages.
Japanese Design Application No. 201927098 filed Dec. 6, 2019; Notice of Allowance dated Jun. 12, 2020; 10 pages.
U.S. Appl. No. 29/694,050, filed Jun. 6, 2019; Notice of Allowance dated Jul. 29, 2020; 40 pages.
U.S. Appl. No. 29/740,552, filed Jul. 6, 2020; Restriction Requirement dated Oct. 2, 2020; 8 pages.
U.S. Appl. No. 29/740,562, filed Jul. 6, 2020; Restriction Requirement dated Oct. 2, 2020; 8 pages.
Written Opinion for International Application No. PCT/US2020/021728; International Filing Date: Mar. 9, 2020; dated Jul. 16, 2020; 10 pages.
Written Opinion for International Application No. PCT/US2020/037484; International Filing Date: Jun. 12, 2020; dated Sep. 22, 2020; 8 pages.
International Search Report for International Application No. PCT/US2020/021718 filed Mar. 9, 2020; dated May 19, 2020; 6 pages.
International Search Report for International Application No. PCT/US2020/021719 filed Mar. 9, 2020; dated May 19, 2020; 6 pages.
Written Opinion for International Application No. PCT/US2020/021718 filed Mar. 9, 2020; dated May 19, 2020; 8 pages.
Written Opinion for International Application No. PCT/US2020/021719 filed Mar. 9, 2020; dated May 19, 2020; 8 pages.
Amazon.com; “Vitamix Con A3300 Ascent Series Smart Blender”; Available on amazon.com Jan. 5, 2017; (Year: 2017); <https://www.amazon.com/dp/B01MT67Z7B/>; 1 page.
U.S. Appl. No. 29/694,050, filed Jun. 6, 2019; Notice of Allowance dated Oct. 29, 2020; 15 pages.
U.S. Appl. No. 29/694,049, filed Jun. 6, 2019; Restriction Requirement dated Jul. 29, 2020; 62 pages.

U.S. Appl. No. 29/694,051, filed Jun. 6, 2019; Restriction Requirement dated Dec. 15, 2020; 62 pages.

* cited by examiner

Primary Examiner — Ricky Pham
(74) *Attorney, Agent, or Firm* — Cantor Colburn LLP

(57) **CLAIM**

The ornamental design for a blender container, as shown and described.

DESCRIPTION

FIG. 1 is a perspective view of a blender container, showing our new design;
FIG. 2 is a front view of the embodiment shown in FIG. 1;
FIG. 3 is a rear view of the embodiment shown in FIG. 1;
FIG. 4 is a side view of the embodiment shown in FIG. 1;
FIG. 5 is another side view of the embodiment shown in FIG. 1;
FIG. 6 is a top view of the embodiment shown in FIG. 1;
and,
FIG. 7 is a bottom view of the embodiment shown in FIG. 1.
The broken lines in the figures are for environmental purposes only and form no part of the claimed design.

1 Claim, 7 Drawing Sheets

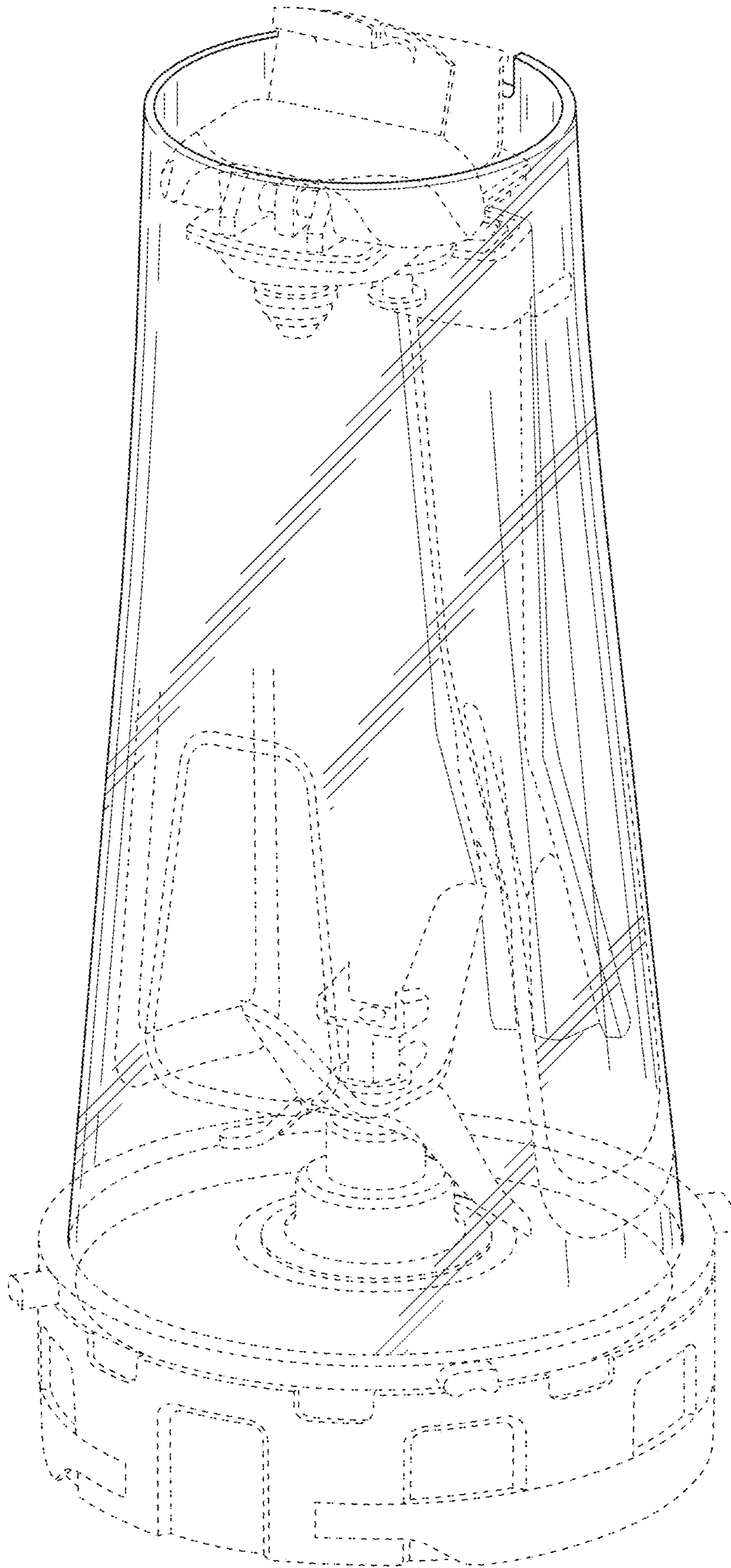


FIG. 1

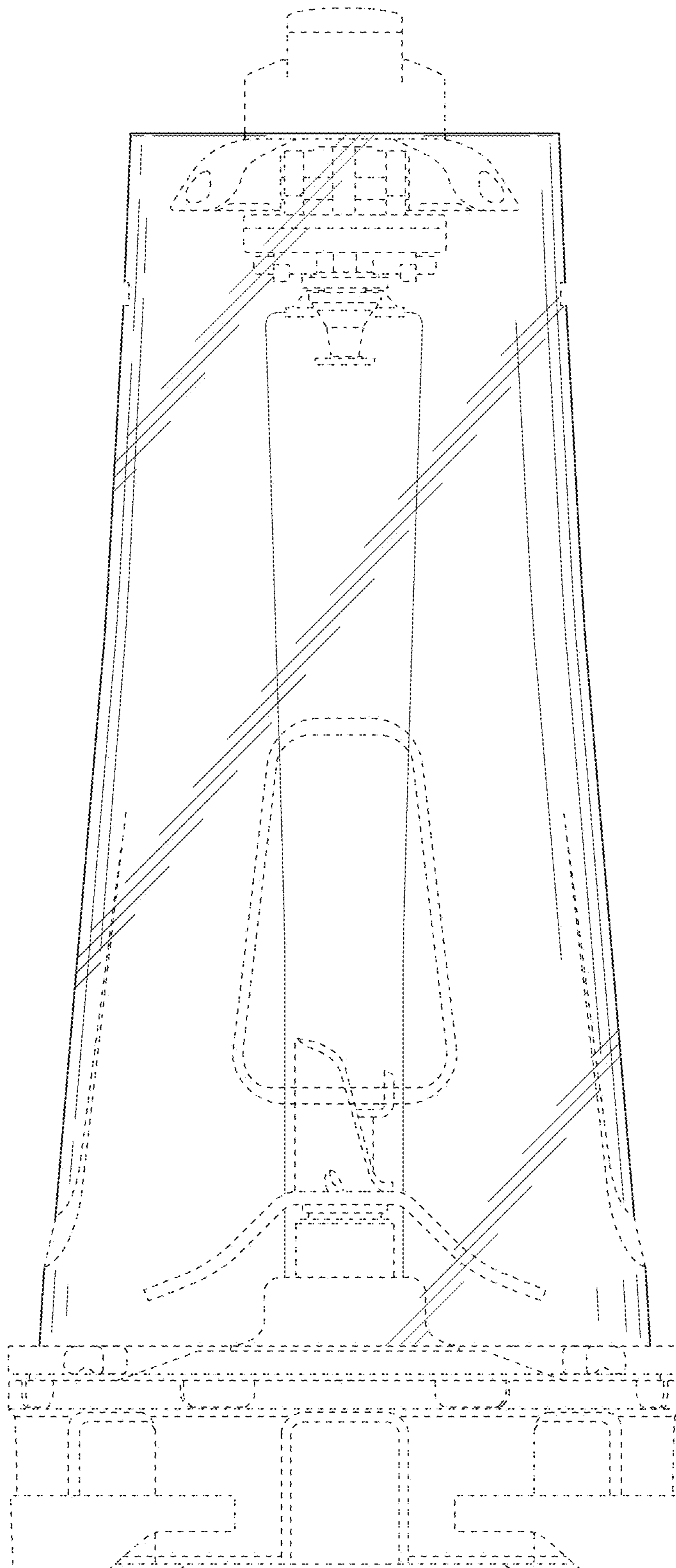


FIG. 2

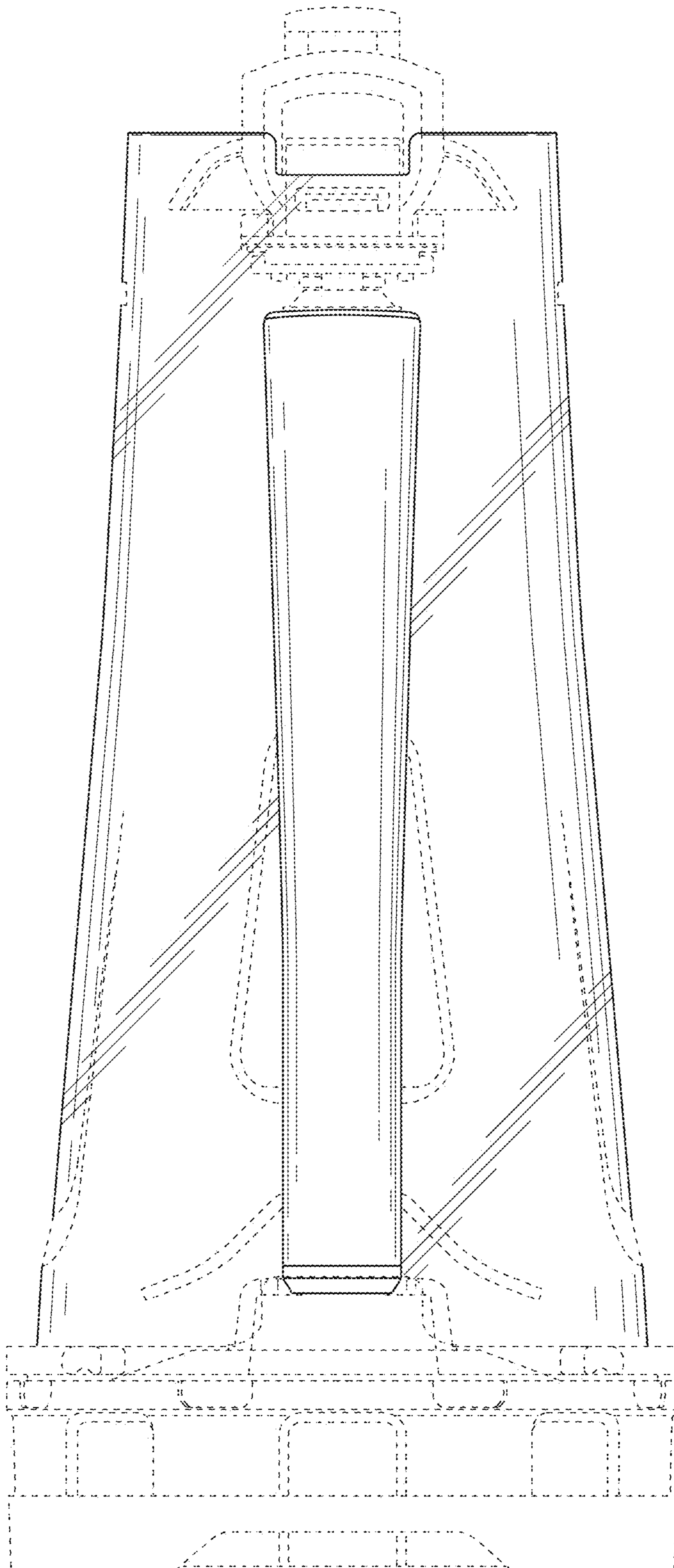


FIG. 3

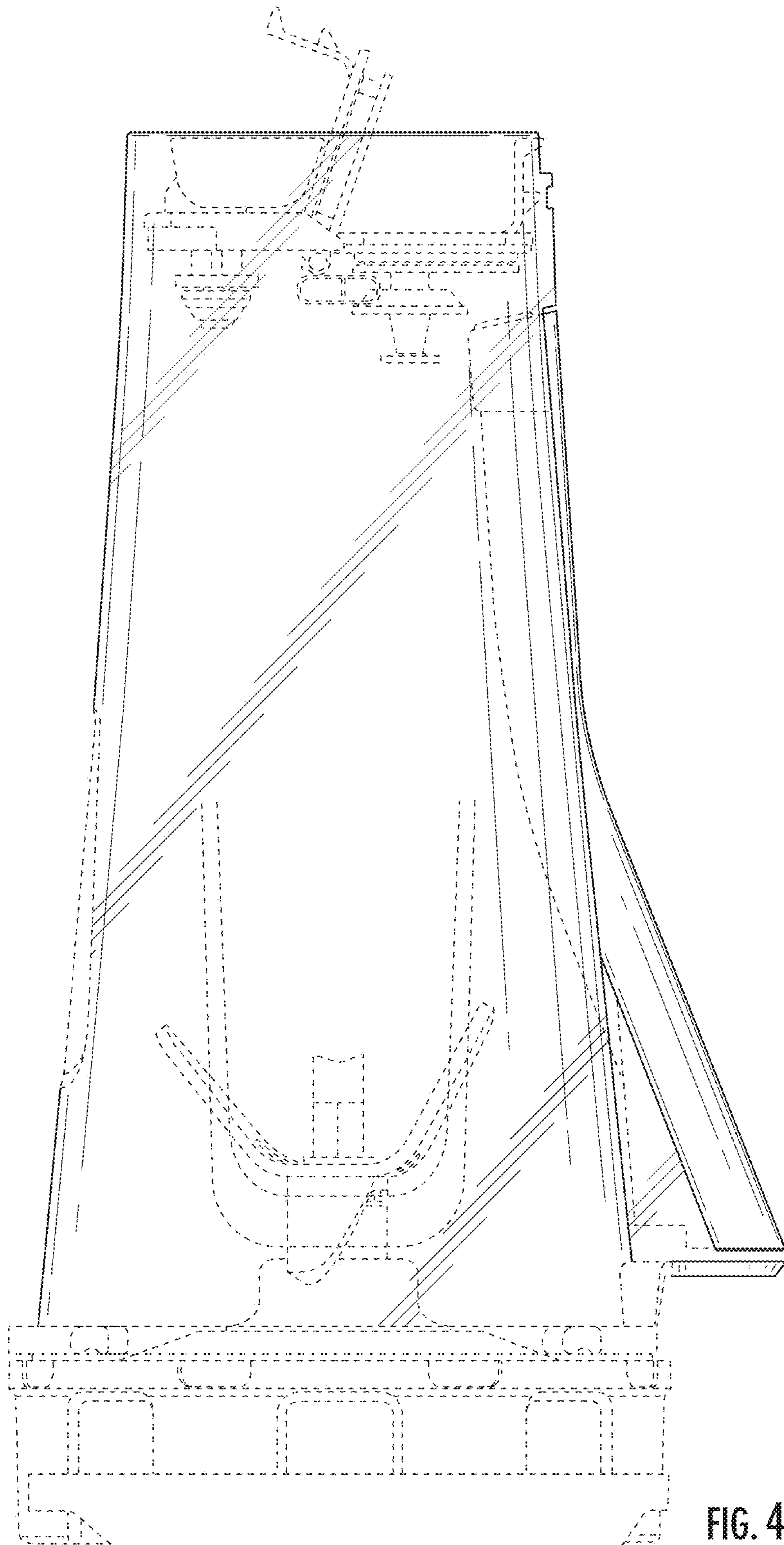


FIG. 4

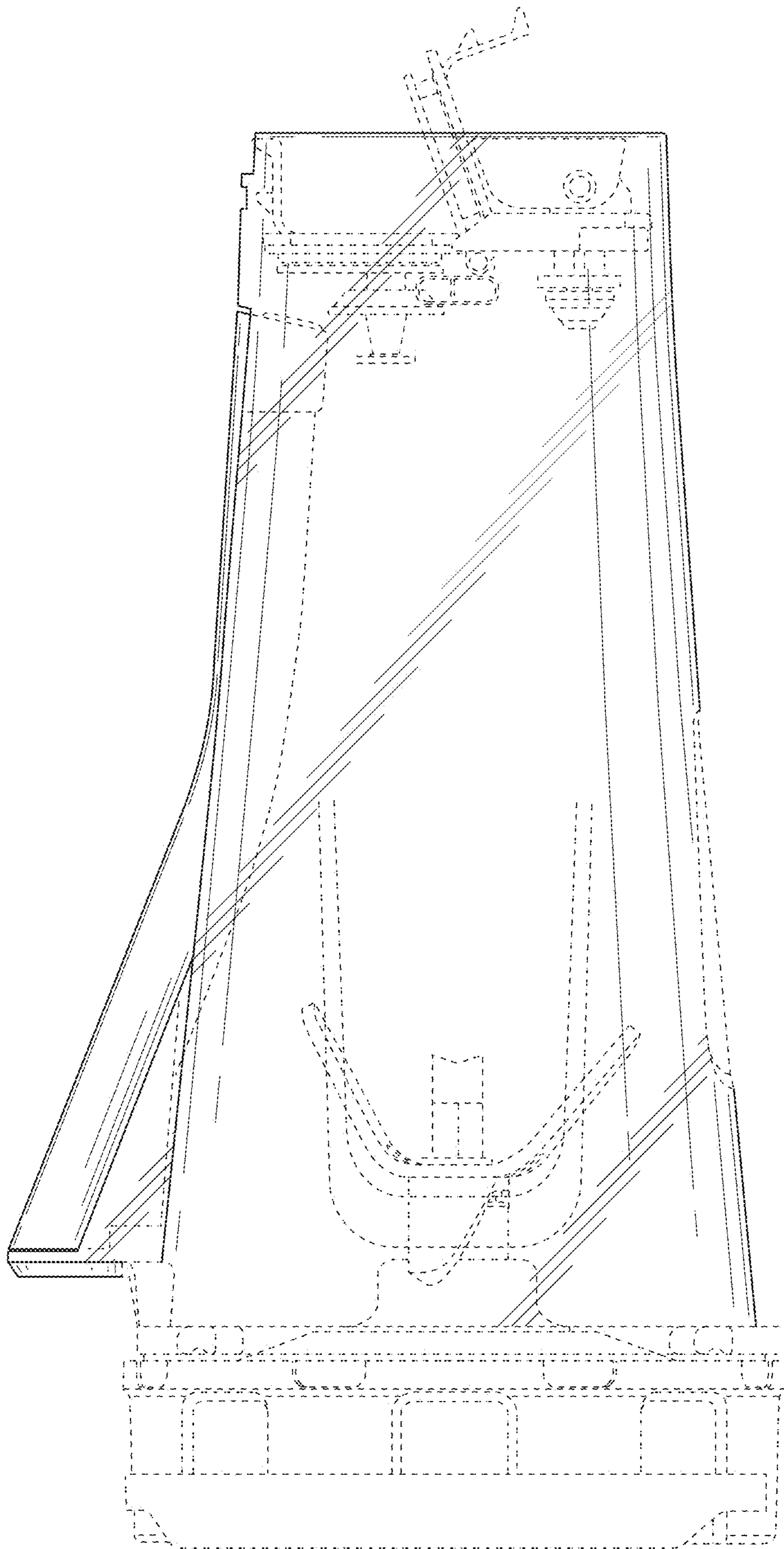


FIG. 5

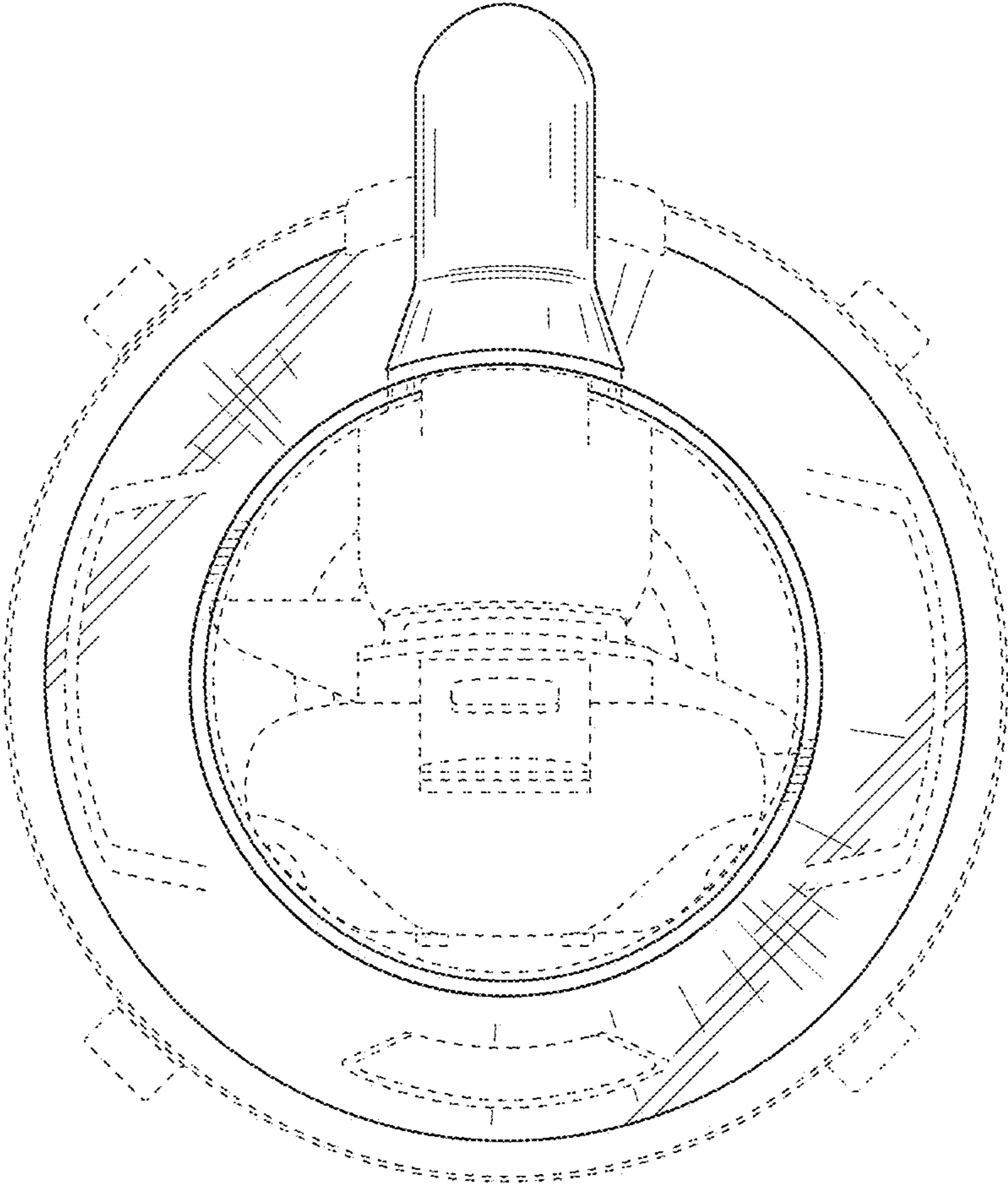


FIG. 6

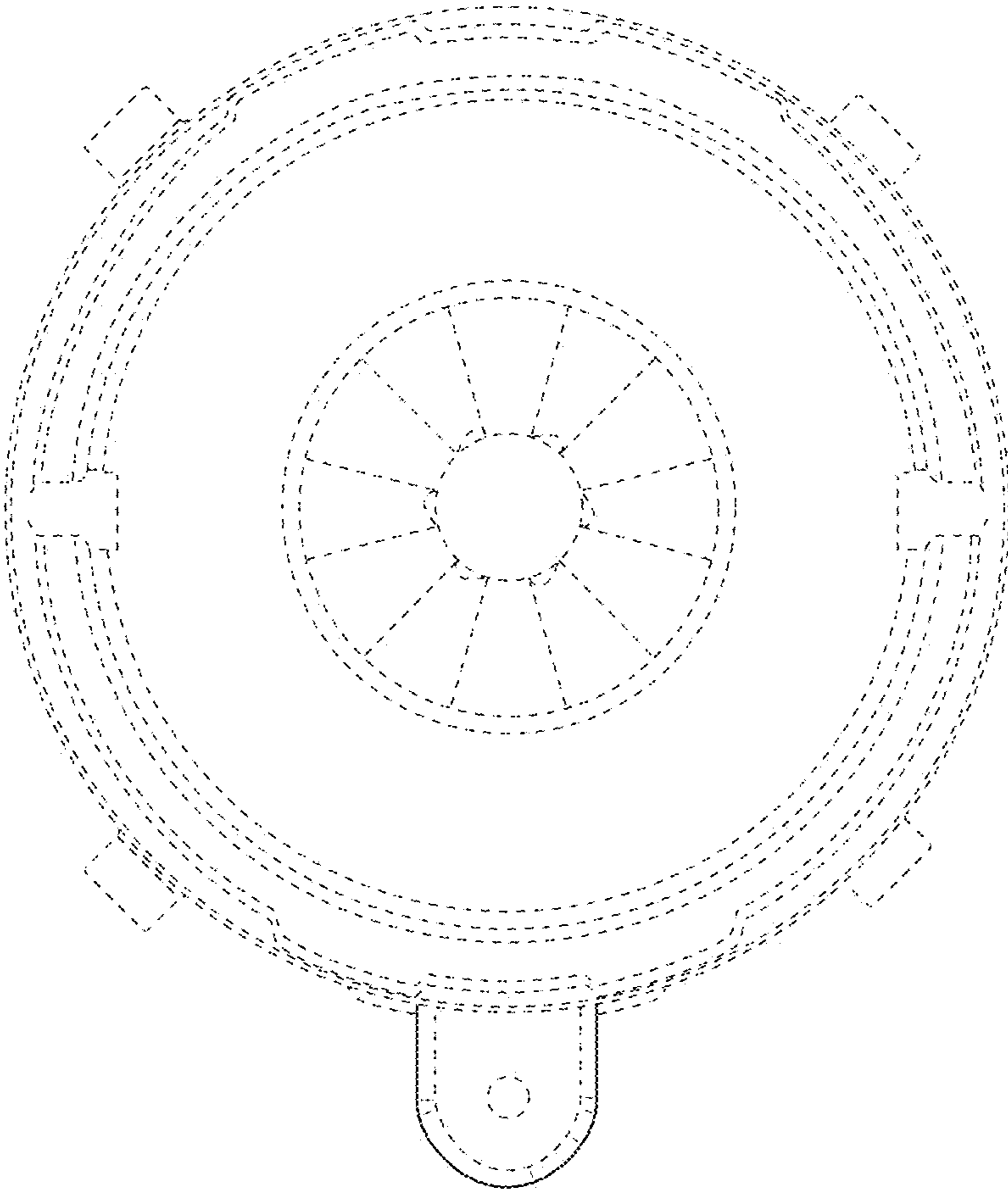


FIG. 7