



US00D919367S

(12) **United States Design Patent** (10) **Patent No.:** **US D919,367 S**  
**Seo et al.** (45) **Date of Patent:** **\*\* May 18, 2021**

(54) **BLENDER CONTAINER**

(56) **References Cited**

(71) Applicant: **LG ELECTRONICS INC.**, Seoul (KR)

U.S. PATENT DOCUMENTS

(72) Inventors: **Woonkyu Seo**, Seoul (KR); **Miyoung Kim**, Seoul (KR); **Hyun Choi**, Seoul (KR); **Hyeonjeong An**, Seoul (KR)

D492,879 S *	7/2004	Allemand	.....	D7/317
D630,463 S *	1/2011	Picozza	.....	D7/318
D738,669 S *	9/2015	Brook	.....	D7/318
D749,353 S *	2/2016	De'Longhi	.....	D7/376
D749,885 S *	2/2016	Kent	.....	D7/318
D856,734 S *	8/2019	Lee	.....	D7/318
D859,063 S *	9/2019	Lee	.....	D7/378
D859,076 S *	9/2019	Lee	.....	D7/413
D867,054 S *	11/2019	Lee	.....	D7/386
D874,863 S *	2/2020	Ghalambor Dezfuli	.....	D7/319
D876,869 S *	3/2020	Ha	.....	D7/317
D880,926 S *	4/2020	Thun	.....	D7/317
2014/0151359 A1 *	6/2014	Slot	.....	A47J 27/21166 219/438

(73) Assignee: **LG Electronics Inc.**, Seoul (KR)

(\*\*) Term: **15 Years**

(21) Appl. No.: **29/725,979**

(22) Filed: **Feb. 28, 2020**

\* cited by examiner

(30) **Foreign Application Priority Data**

*Primary Examiner* — Ricky Pham

Feb. 24, 2020 (KR) ..... 30-2020-0008087

(74) *Attorney, Agent, or Firm* — Birch, Stewart, Kolasch & Birch, LLP

(51) **LOC (13) Cl.** ..... **31-00**

(57) **CLAIM**

(52) **U.S. Cl.**  
USPC ..... **D7/413; D7/376; D7/378; D7/384**

The ornamental design for a blender container, as shown and described.

(58) **Field of Classification Search**  
USPC ..... D7/317-319, 355, 372-373, 376-386, D7/412-413, 602, 629, 665-666, 669, D7/679, 693-694; D11/152  
CPC .... A21C 1/02; A21C 1/04; A23N 1/00; A23N 1/02; A47J 27/21166; A47J 43/04; A47J 43/25; A47J 43/27; A47J 43/042; A47J 43/044; A47J 43/046; A47J 43/075; A47J 43/0722; A47J 43/0727; B01F 3/00; B01F 3/0807; B01F 3/0853; B01F 13/0059; B01F 13/0064; B02C 1/08; B02C 2/04; B02C 4/42; B02C 4/142; B02C 4/143; B02C 4/423; B02C 13/1835; B28C 5/10; B28C 5/12; B28C 5/14; B28C 5/16  
See application file for complete search history.

**DESCRIPTION**

FIG. 1 is a front, right side, perspective view of a blender container showing our new design;  
FIG. 2 is a front view thereof;  
FIG. 3 is a rear view thereof;  
FIG. 4 is a left side view thereof;  
FIG. 5 is a right side view thereof;  
FIG. 6 is a top view thereof;  
FIG. 7 is a bottom view thereof;  
FIG. 8 is a reference view thereof; and,  
FIG. 9 is a reference view.  
The broken lines indicate portions of the article that form no part of the claimed design.

**1 Claim, 8 Drawing Sheets**

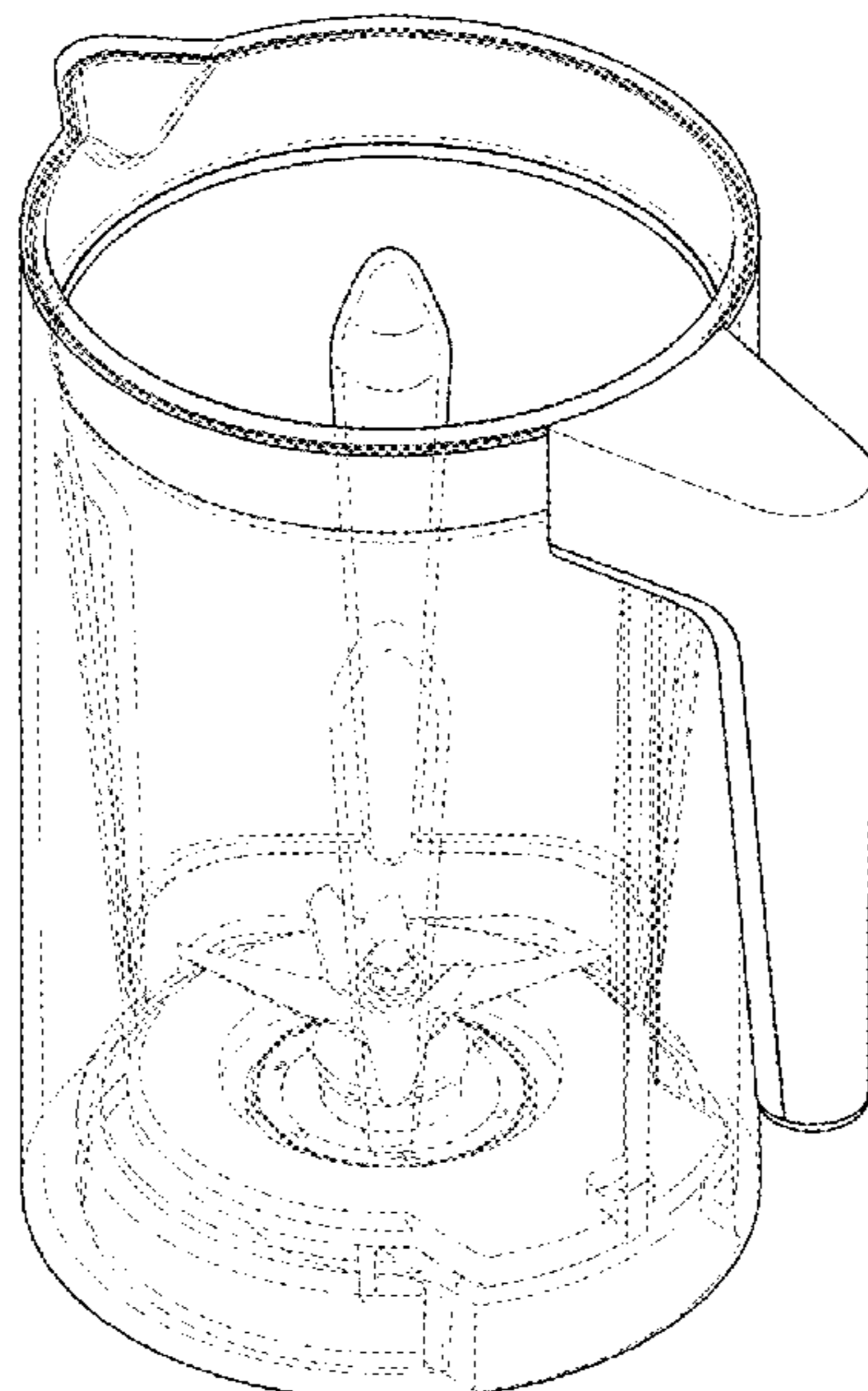


FIG. 1

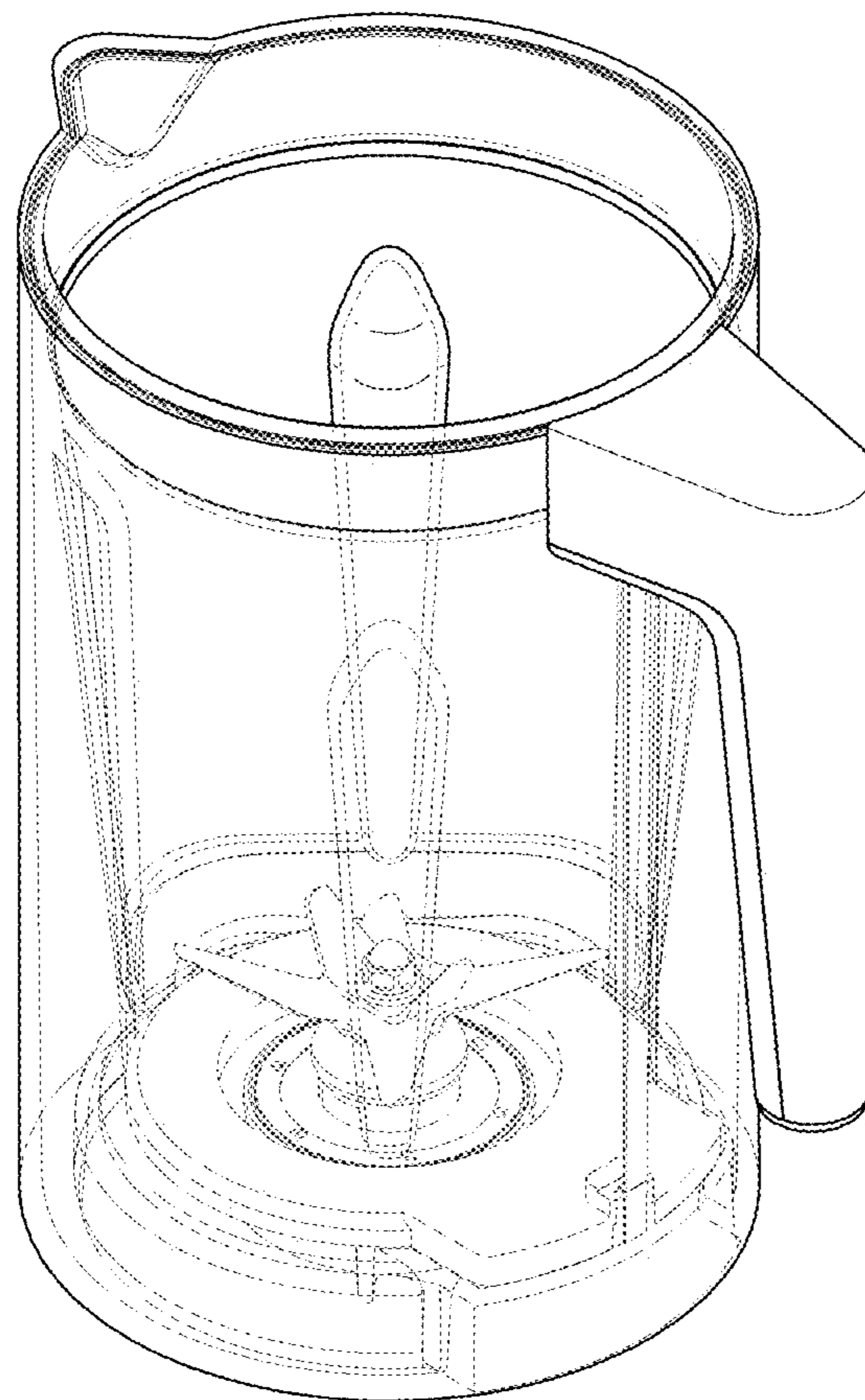


FIG. 2

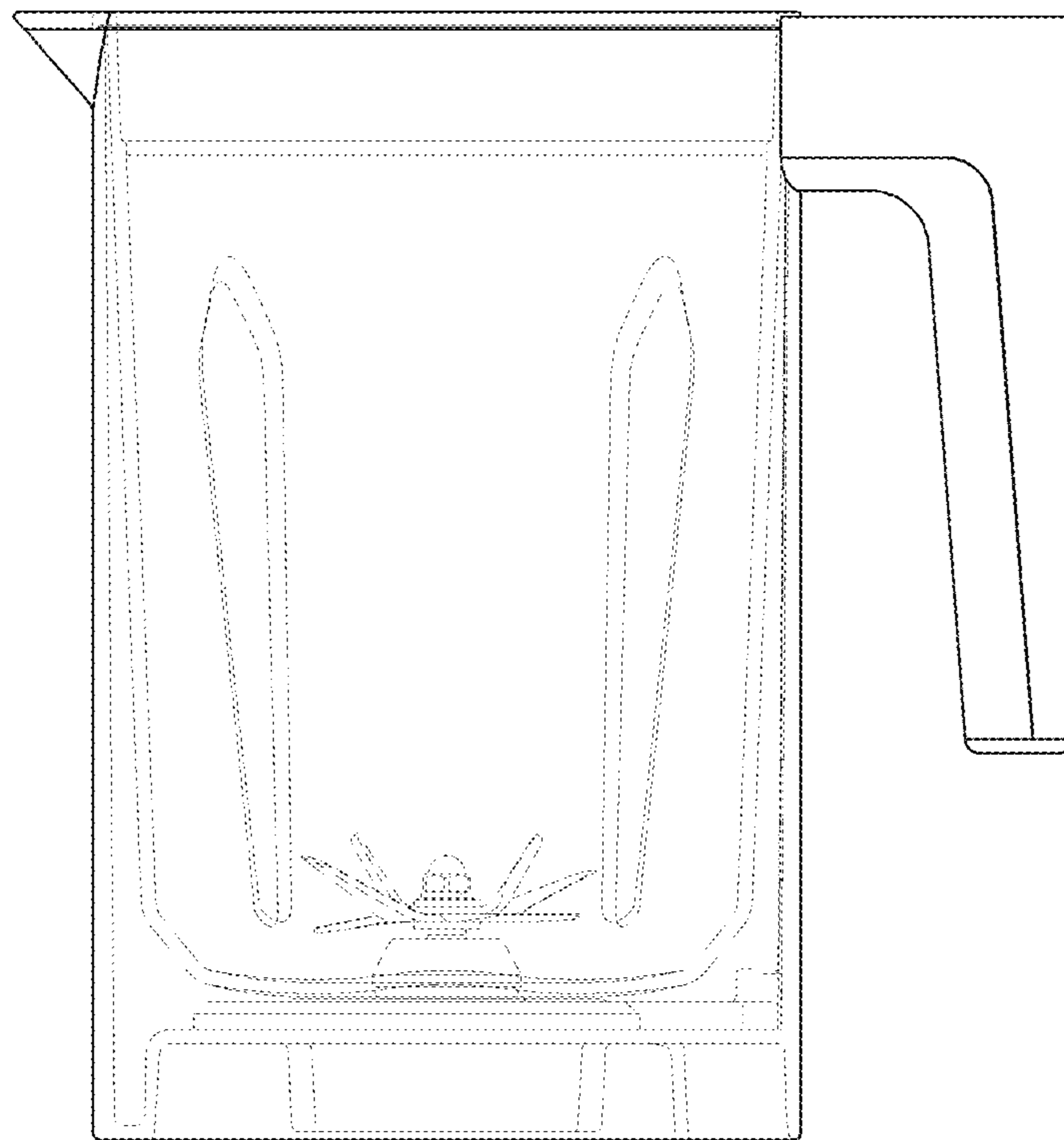


FIG. 3

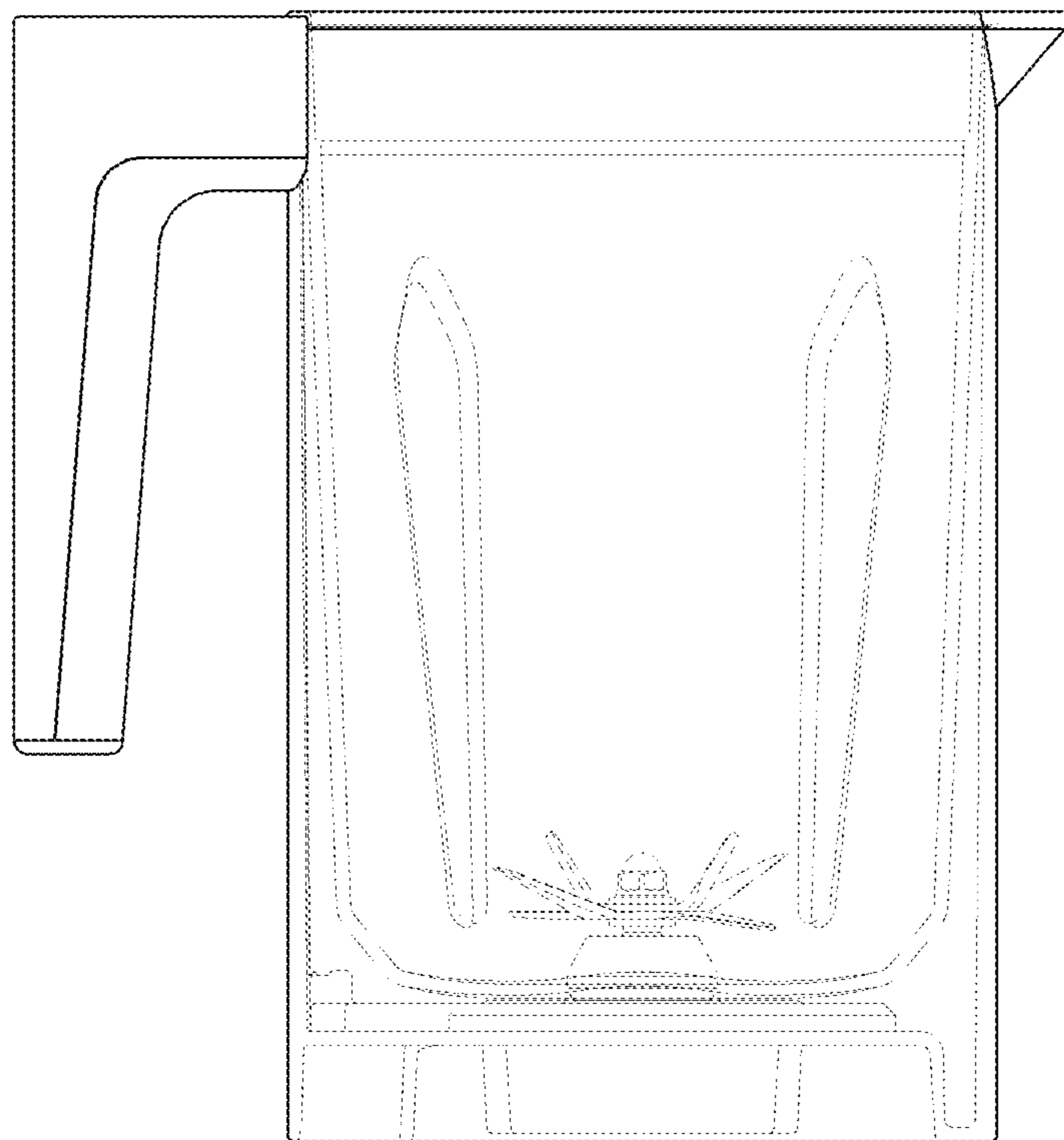


FIG. 4

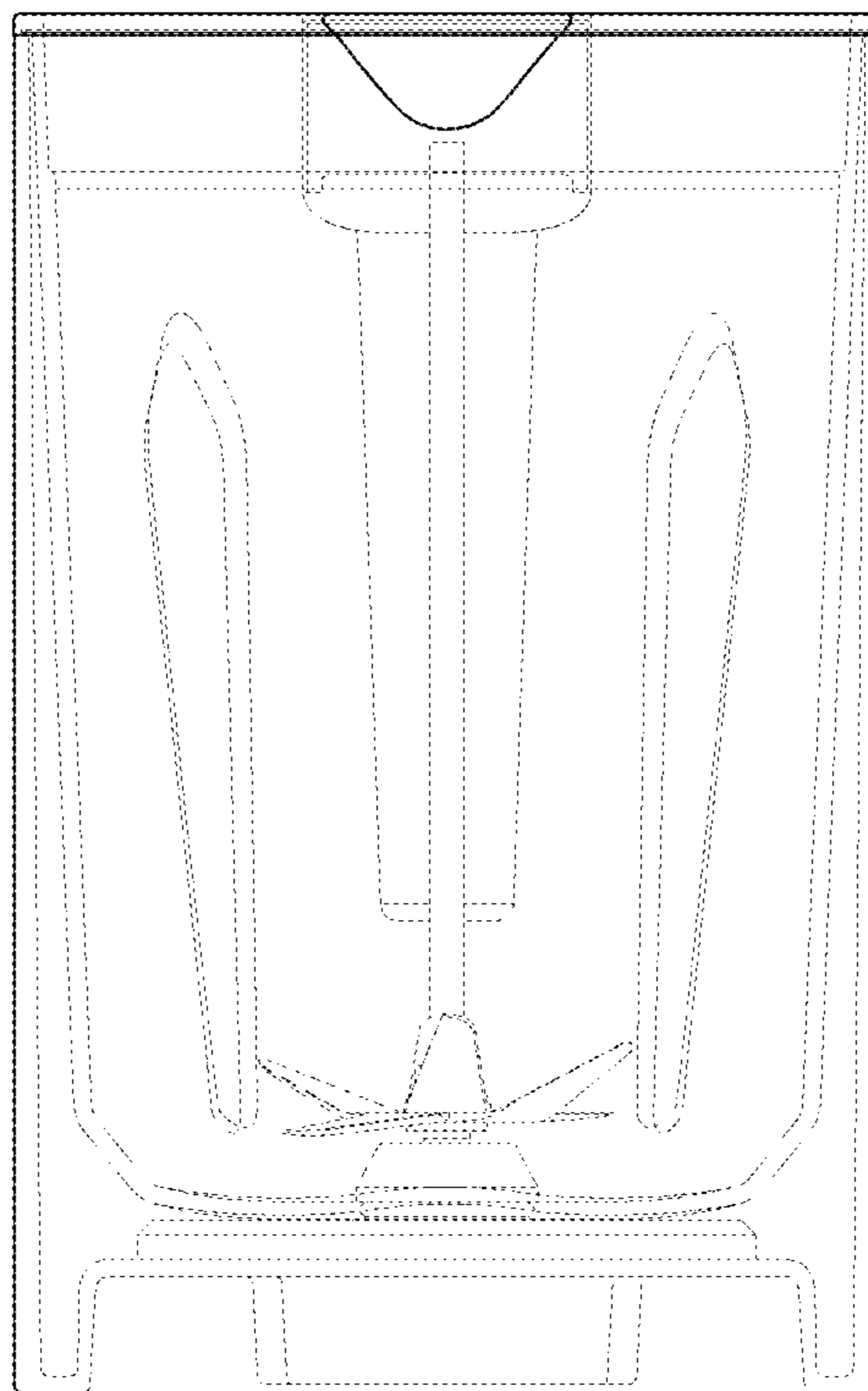


FIG. 5

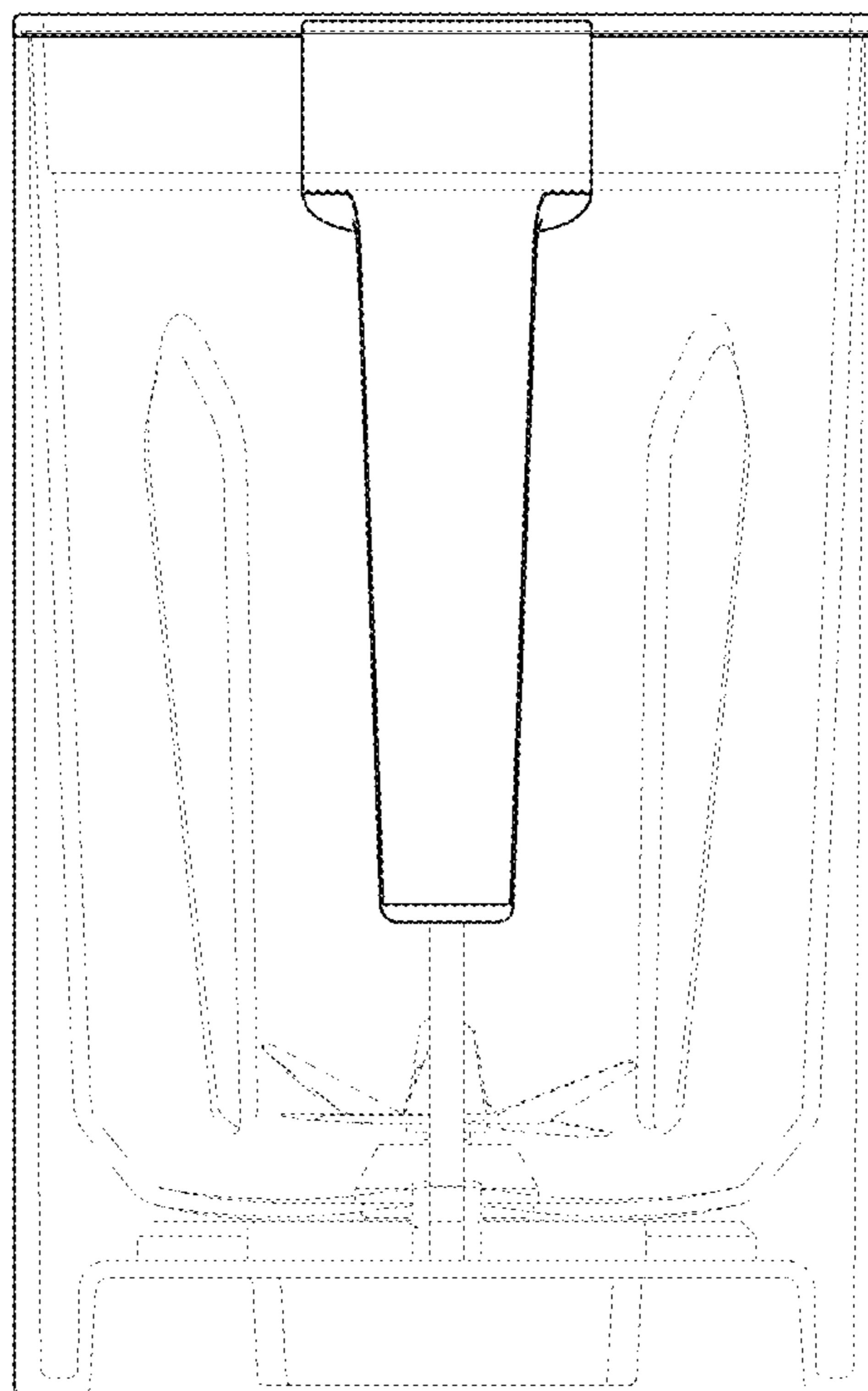




FIG. 6

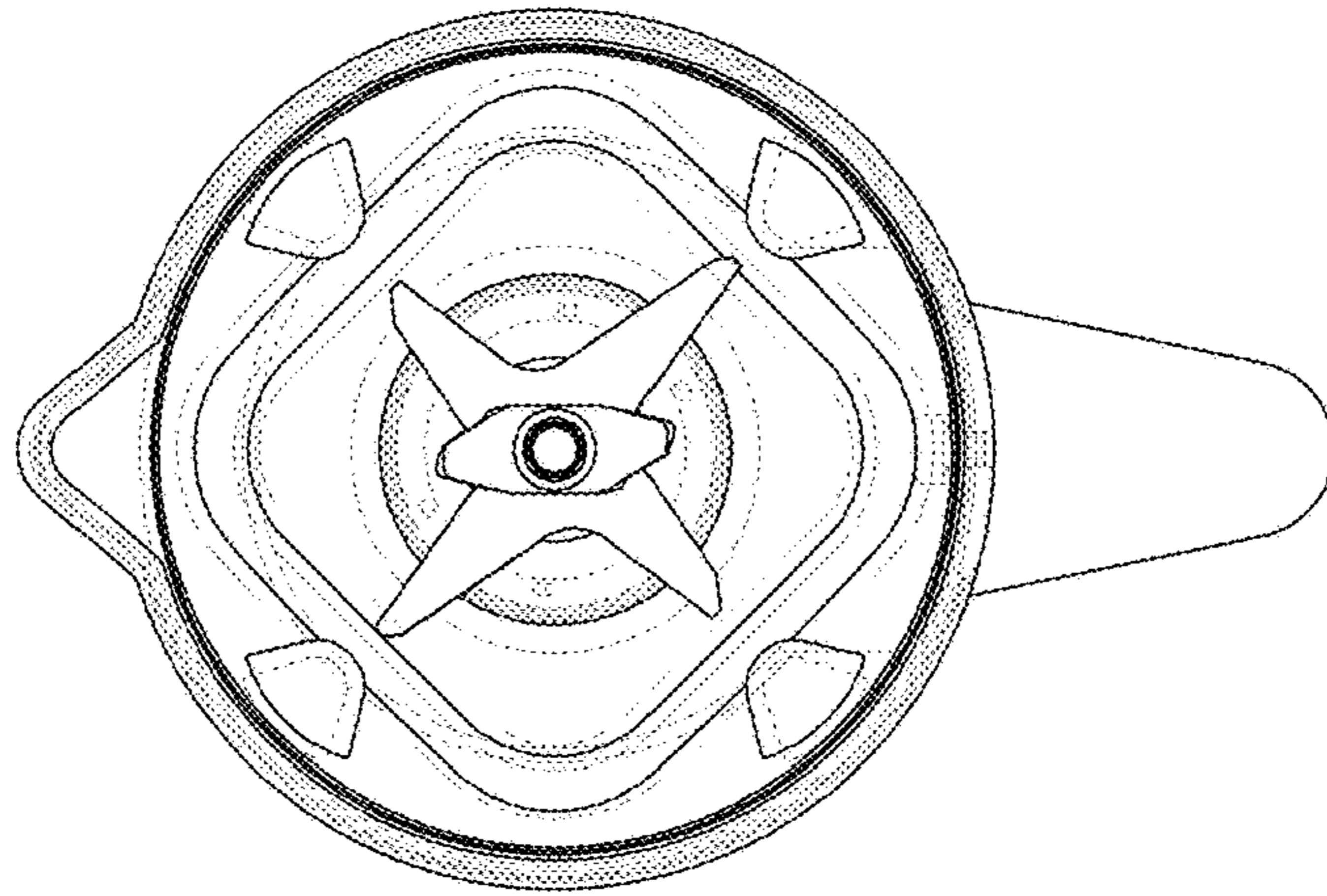


FIG. 7

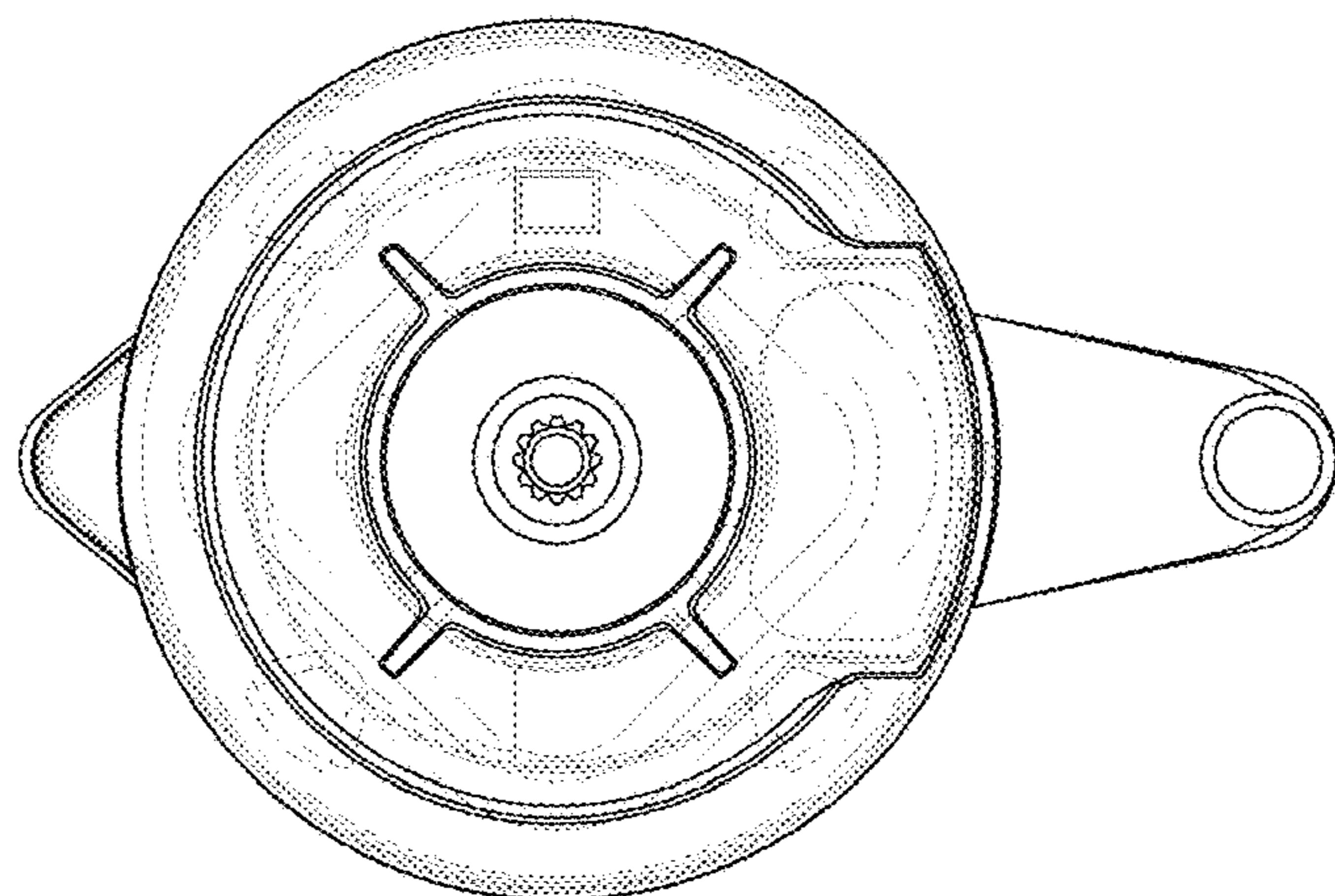


FIG. 8

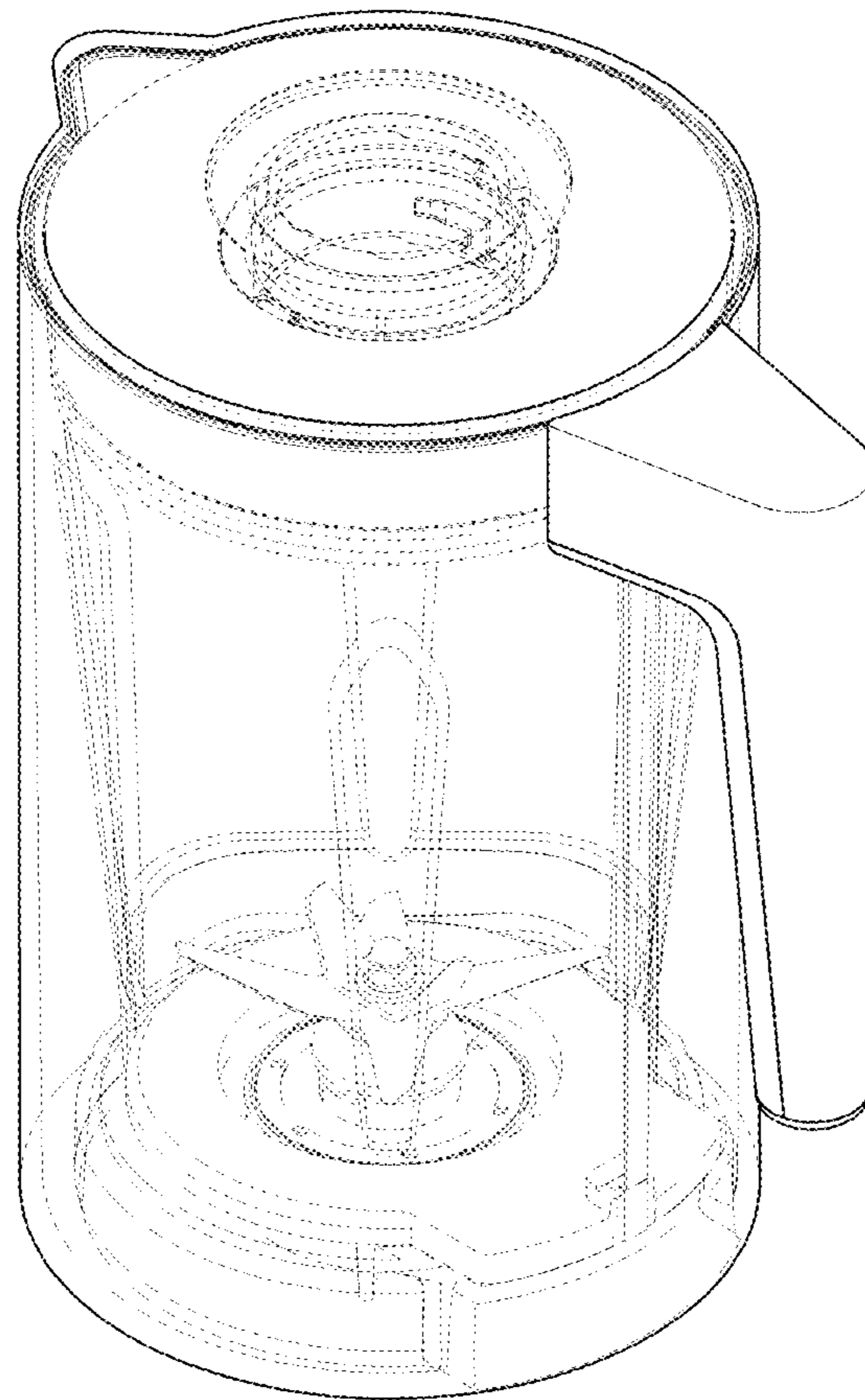




FIG. 9

