



US00D919365S

(12) **United States Design Patent** (10) **Patent No.:** **US D919,365 S**
Benoit et al. (45) **Date of Patent:** **** May 18, 2021**

(54) **FOOD PROCESSING DEVICE**

18/305; B02C 25/00; B02C 2002/00;
B02C 2013/00; B02C 2013/14; B02C
2013/145; B02C

(71) Applicant: **WHIRLPOOL CORPORATION**,
Benton Harbor, MI (US)

(Continued)

(72) Inventors: **Kaitlyn M. Benoit**, St. Joseph, MI
(US); **Michael P. Conti**, St. Joseph, MI
(US); **John Dykhouse**, Benton Harbor,
MI (US); **Timothy J. Hicks**, Berrien
Springs, MI (US); **Mitchell L.
Robertson**, Elkhart, IN (US)

(56)

References Cited

U.S. PATENT DOCUMENTS

100,280 A 3/1870 Gerhard
243,035 A 6/1881 Gbbe

(Continued)

(73) Assignee: **Whirlpool Corporation**, Benton
Harbor, MI (US)

FOREIGN PATENT DOCUMENTS

CN 2536142 Y 2/2003
DE 971304 C 1/1959
EP 2777447 A1 9/2014

(**) Term: **15 Years**

Primary Examiner — Ricky Pham

(21) Appl. No.: **29/755,381**

(74) *Attorney, Agent, or Firm* — Price Heneveld LLP

(22) Filed: **Oct. 20, 2020**

Related U.S. Application Data

(63) Continuation of application No. 29/732,294, filed on
Apr. 23, 2020, now Pat. No. Des. 901,970, which is
(Continued)

(57)

CLAIM

The ornamental design for a food processing device, as
shown and described.

(51) **LOC (13) Cl.** **31-00**

(52) **U.S. Cl.**

USPC **D7/412**; D7/381; D7/401.2

(58) **Field of Classification Search**

USPC D7/372, 376–386, 401.2, 412, 665–666,
D7/669, 678–679, 693–694

CPC A01F 2015/07; A01F 2015/077; A01F
2015/0775; A23N 1/00; A23N 1/02;
A23N 7/026; A47J 17/16; A47J 19/00;
A47J 19/005; A47J 19/02; A47J 19/04;
A47J 19/06; A47J 42/32; A47J 42/34;
A47J 42/36; A47J 43/044; A47J 43/25;
A47J 43/255; B01F 7/26; B01F 7/28;
B01F 7/1605; B01F 11/0082; B01F
13/04; B02C 13/00; B02C 13/02; B02C
13/10; B02C 18/06; B02C 18/26; B02C
18/30; B02C 18/302; B02C 18/304; B02C

DESCRIPTION

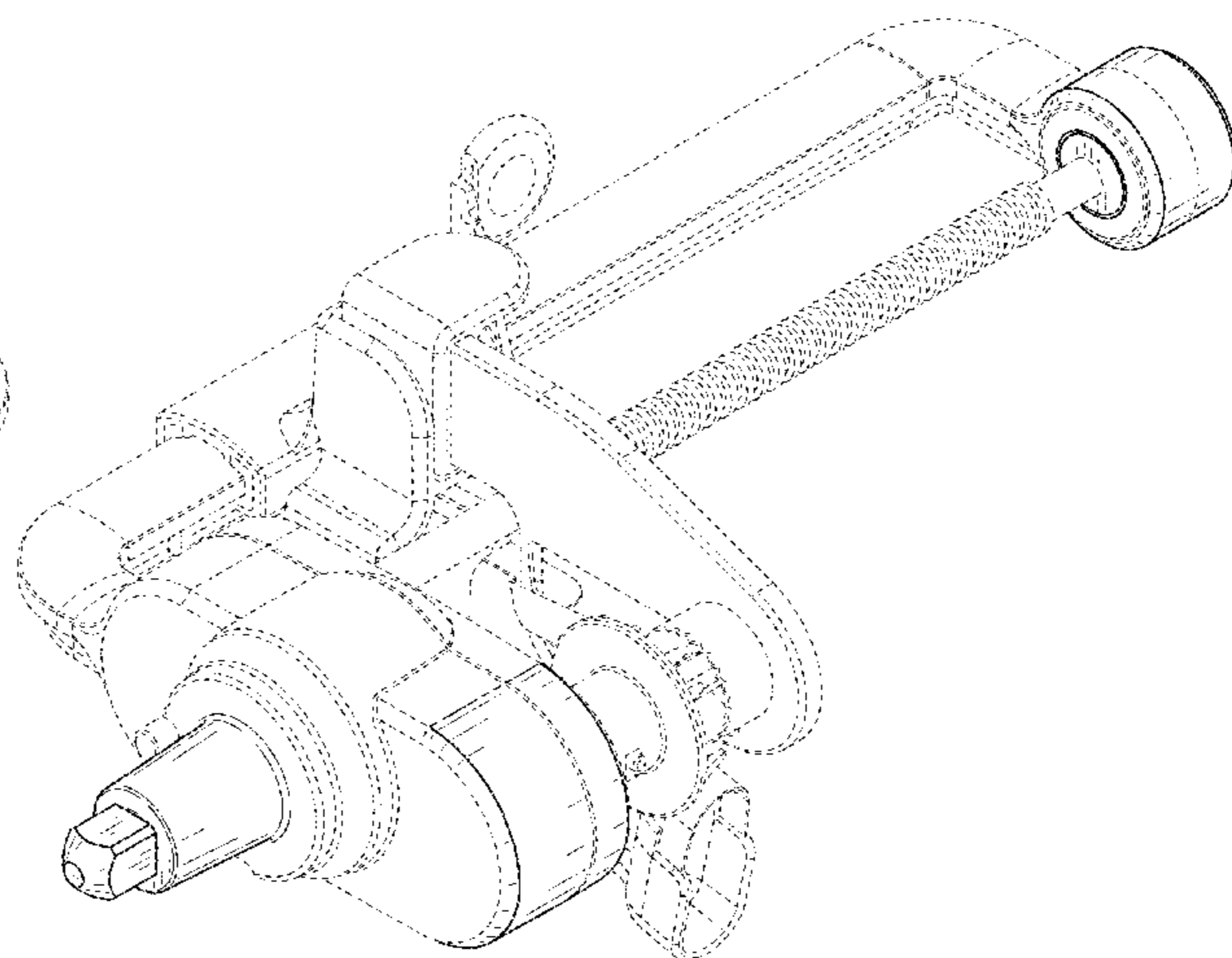
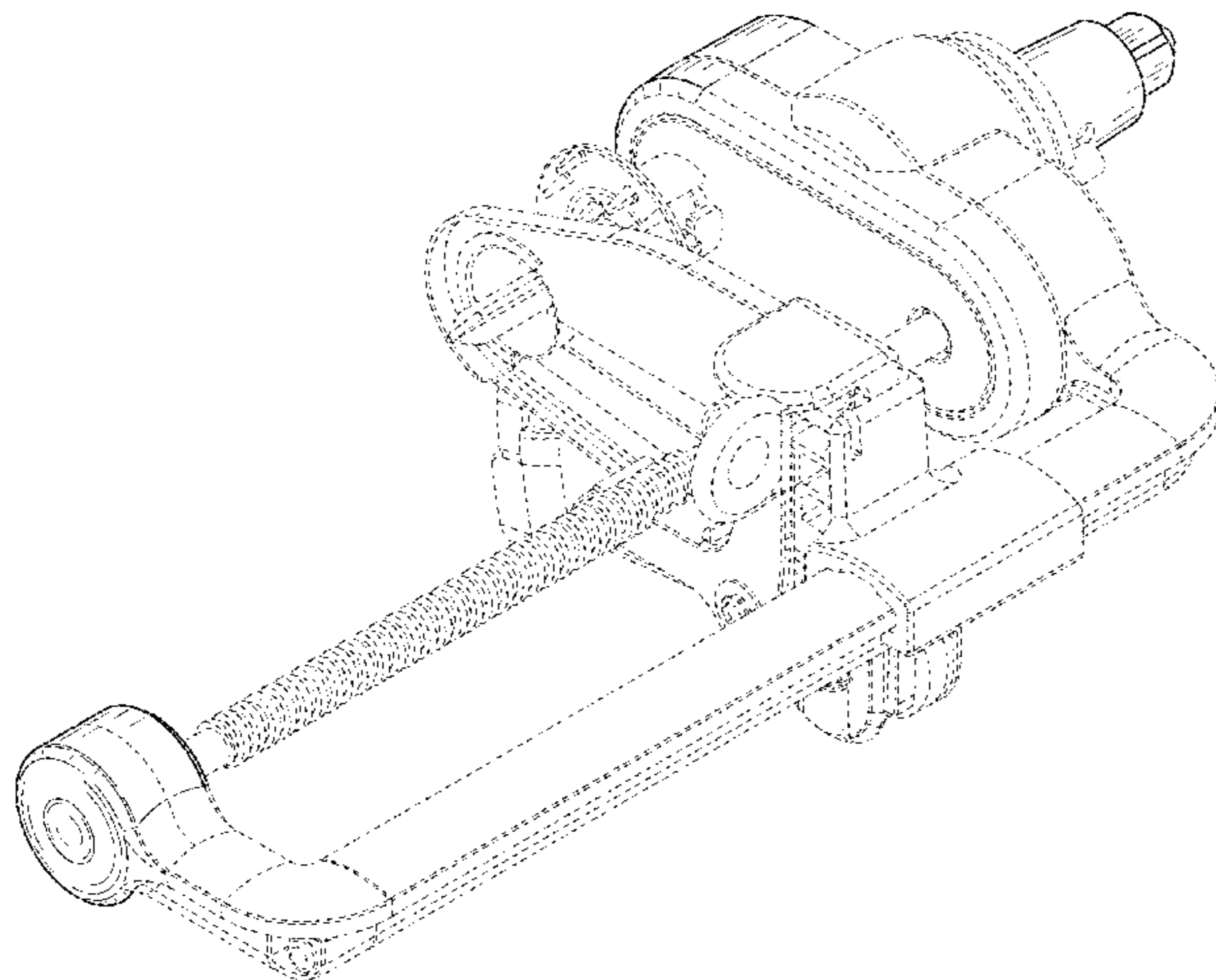
FIG. 1 is a front-right perspective view of a food processing
device according to the claimed design;
FIG. 2 is a back-right perspective view thereof;
FIG. 3 is a front-left perspective view thereof;
FIG. 4 is a left perspective view thereof; and,
FIG. 5 is a front-right perspective view thereof showing the
food processing device mounted with an environmental
article.

Dash-dot-dash broken lines are environmental only and
form no part of the claimed design.

The portions of the article shown in evenly-dashed broken
line form no part of the claimed design.

Dash-dot-dot-dash broken lines adjacent un-shaded areas
represent bounds of the claimed design and form no part of
the claimed design themselves.

1 Claim, 5 Drawing Sheets



Related U.S. Application Data

a continuation of application No. 14/983,735, filed on Dec. 30, 2015, now Pat. No. 10,820,735.

(58) **Field of Classification Search**

CPC 2013/18; B02C 2013/1807; B02C 2013/1857; B02C 2013/1864; B26D 1/0006; B26D 3/11; B30B 9/00; B30B 9/16; B30B 9/18; B30B 9/20; B30B 9/26; B30B 9/205; B30B 9/207

See application file for complete search history.

(56) **References Cited**

U.S. PATENT DOCUMENTS

255,856 A 4/1882 Heizmann
 256,214 A 4/1882 Heizmann
 256,800 A 4/1882 Holton
 273,418 A 3/1883 Whittemobe
 310,196 A 1/1885 Dayid
 1,006,621 A 10/1911 Arnold
 1,008,555 A * 11/1911 Mower A47J 17/16
 99/598
 2,069,654 A * 2/1937 Jeppsson A47J 17/16
 99/599
 2,130,980 A 9/1938 Chattin et al.
 2,156,645 A 5/1939 Waller
 2,410,683 A 11/1946 Marquez
 2,461,249 A * 2/1949 Anderson A23N 7/026
 99/596
 2,464,993 A * 3/1949 Ross B26D 3/11
 82/173
 2,508,868 A * 5/1950 Ross B26D 3/11
 241/276
 2,537,852 A 1/1951 Peterson
 2,693,210 A * 11/1954 Gustafson A47J 17/16
 99/545
 2,931,404 A 4/1960 Prosen
 3,211,202 A 10/1965 Mason

3,357,469 A 12/1967 Pease et al.
 3,374,818 A 3/1968 Knoedler
 3,881,406 A 5/1975 Perez
 3,952,621 A 4/1976 Chambos
 4,137,839 A 2/1979 Couture et al.
 4,287,820 A 9/1981 Urban
 4,581,990 A 4/1986 Matsumoto
 4,619,192 A 10/1986 Cycyk et al.
 4,628,808 A 12/1986 Simon
 4,704,959 A 11/1987 Scallen
 4,743,159 A 5/1988 Inamori
 4,765,234 A 8/1988 Cailliot
 5,138,940 A 8/1992 Geissler et al.
 5,558,011 A 9/1996 Heim
 5,690,022 A 11/1997 Chai
 5,950,528 A 9/1999 Wang
 5,957,045 A 9/1999 He et al.
 6,053,098 A 4/2000 Yamamoto
 6,082,253 A 7/2000 Ridler
 6,125,744 A 10/2000 Martin
 6,269,740 B2 8/2001 Kojs
 6,327,971 B1 12/2001 Ridler
 6,408,520 B1 6/2002 Ridler
 6,412,177 B1 7/2002 Ridler
 6,523,464 B1 2/2003 Widelo
 6,854,383 B2 2/2005 Wang
 D535,534 S * 1/2007 Wong D7/693
 7,740,400 B2 * 6/2010 Membreno B01F 7/1605
 366/182.4
 D669,324 S 10/2012 Bodum
 D701,078 S * 3/2014 Gonzalez D7/379
 D739,678 S 9/2015 Benoit et al.
 D773,894 S * 12/2016 Benoit D7/412
 D797,495 S 9/2017 McConnell et al.
 D861,425 S * 10/2019 McConnell D7/401.2
 10,433,559 B2 10/2019 DeVito et al.
 10,751,897 B2 * 8/2020 Fung B26D 1/0006
 D901,970 S * 11/2020 Benoit D7/401.2
 2012/0090480 A1 4/2012 Caspar et al.
 2016/0255982 A1 9/2016 Benoit et al.
 2017/0135526 A1 5/2017 Conti et al.

* cited by examiner

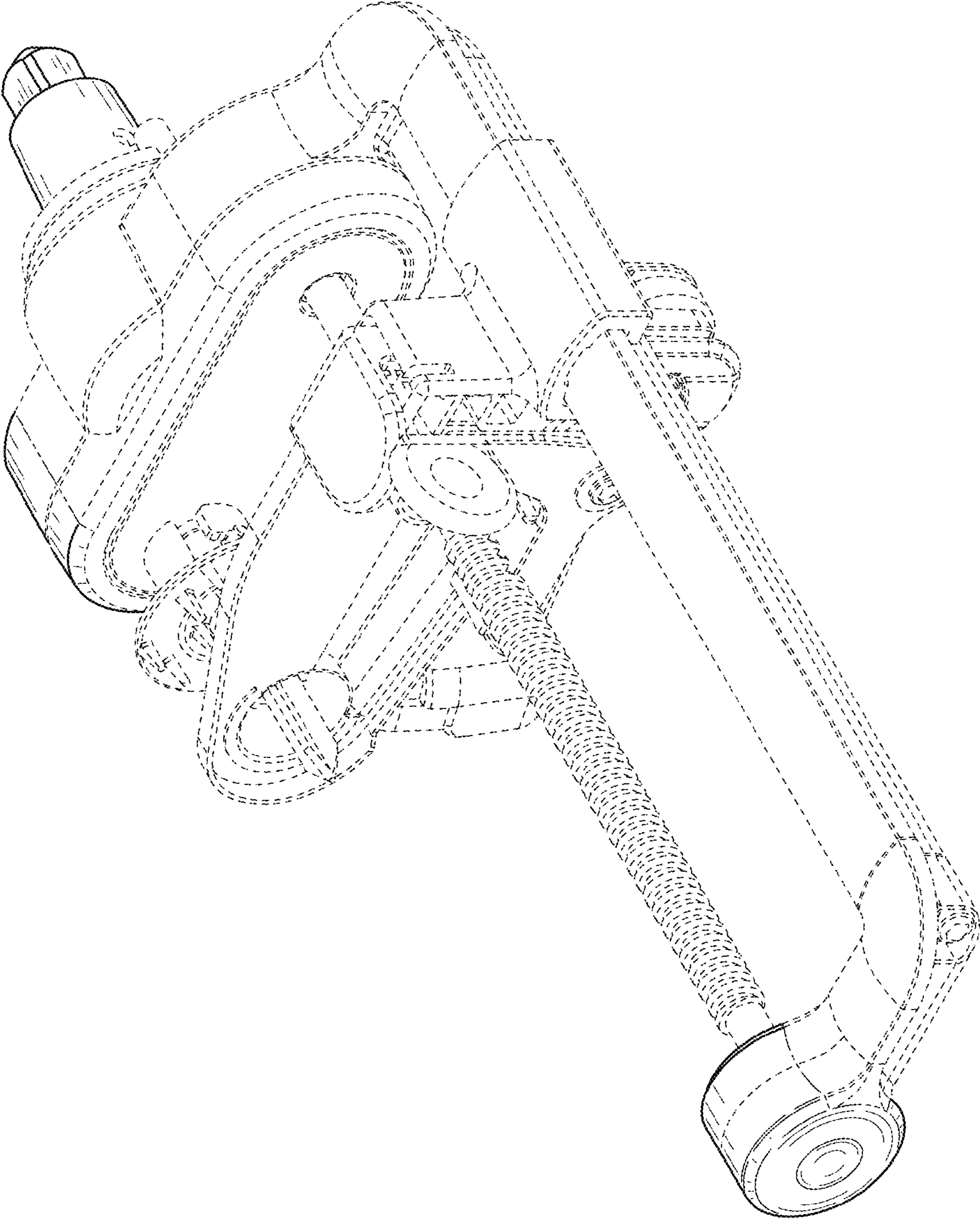


FIG. 1

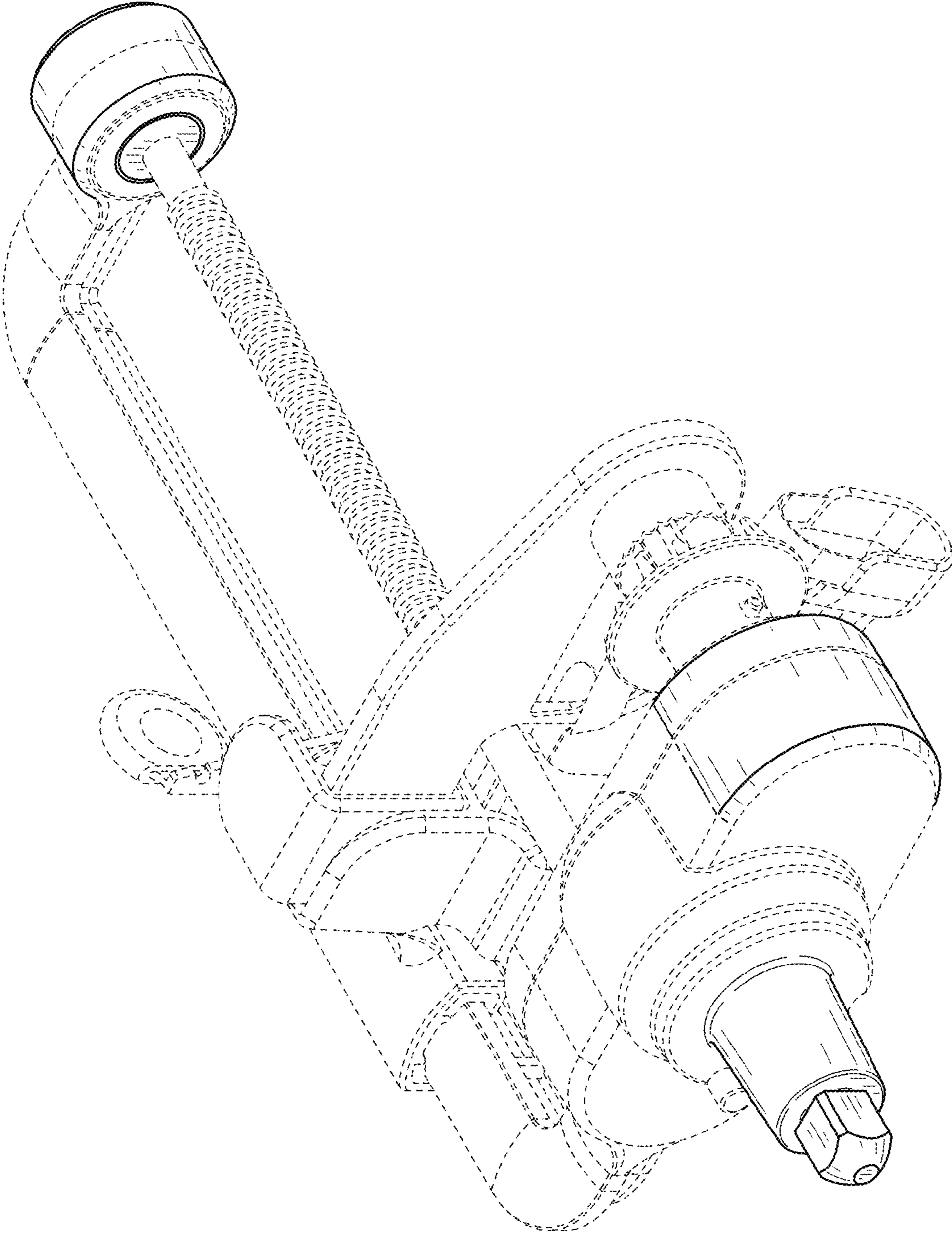


FIG. 2

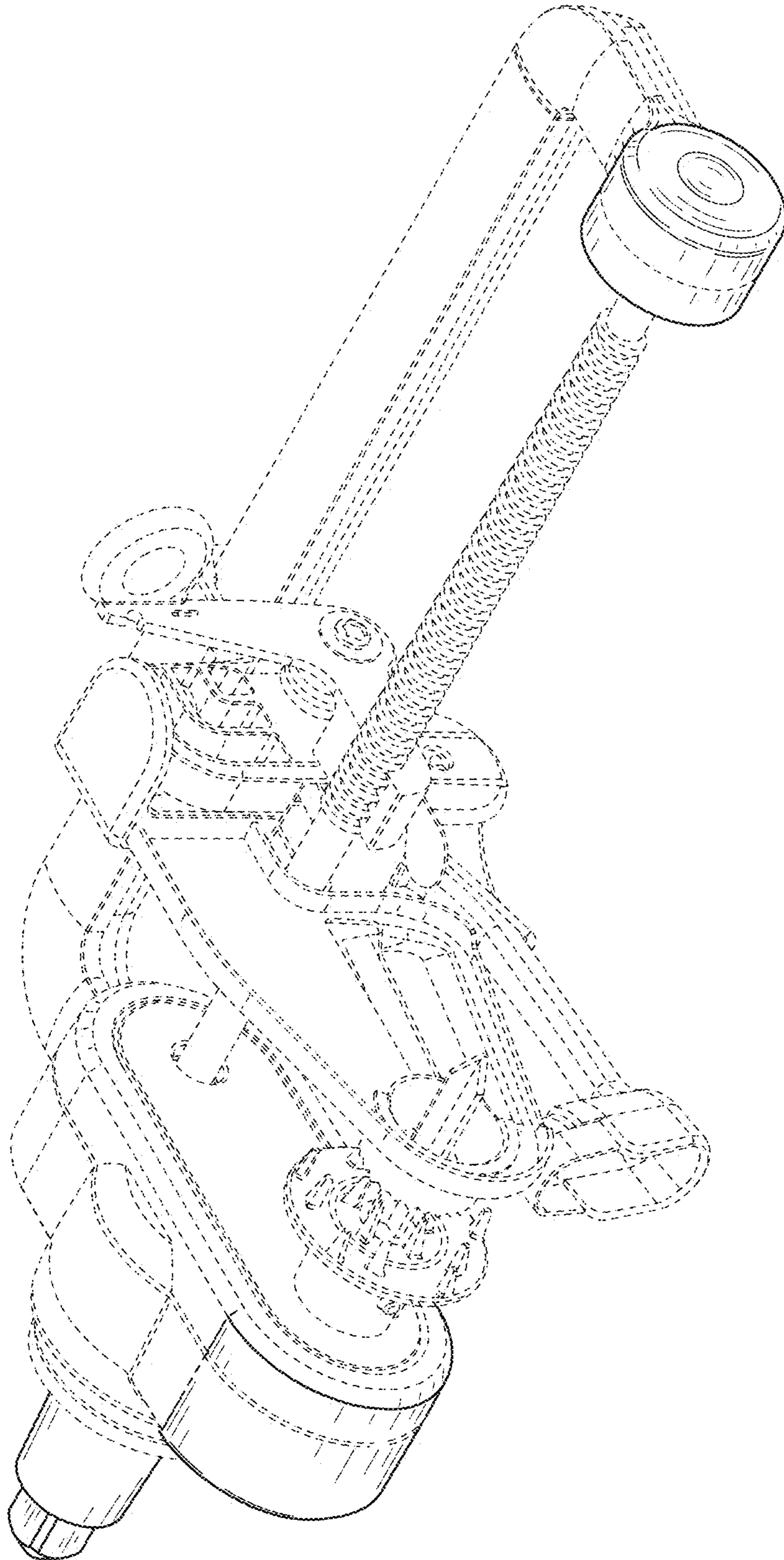


FIG. 3

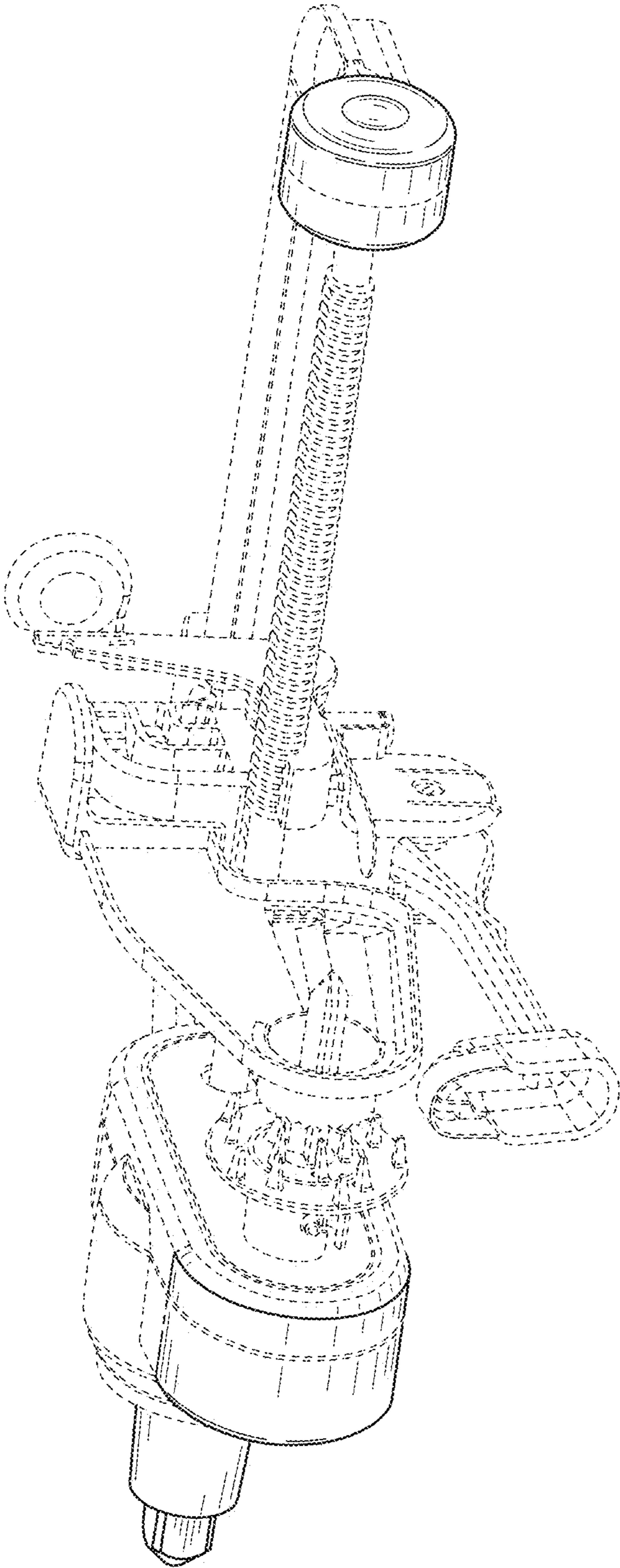


FIG. 4

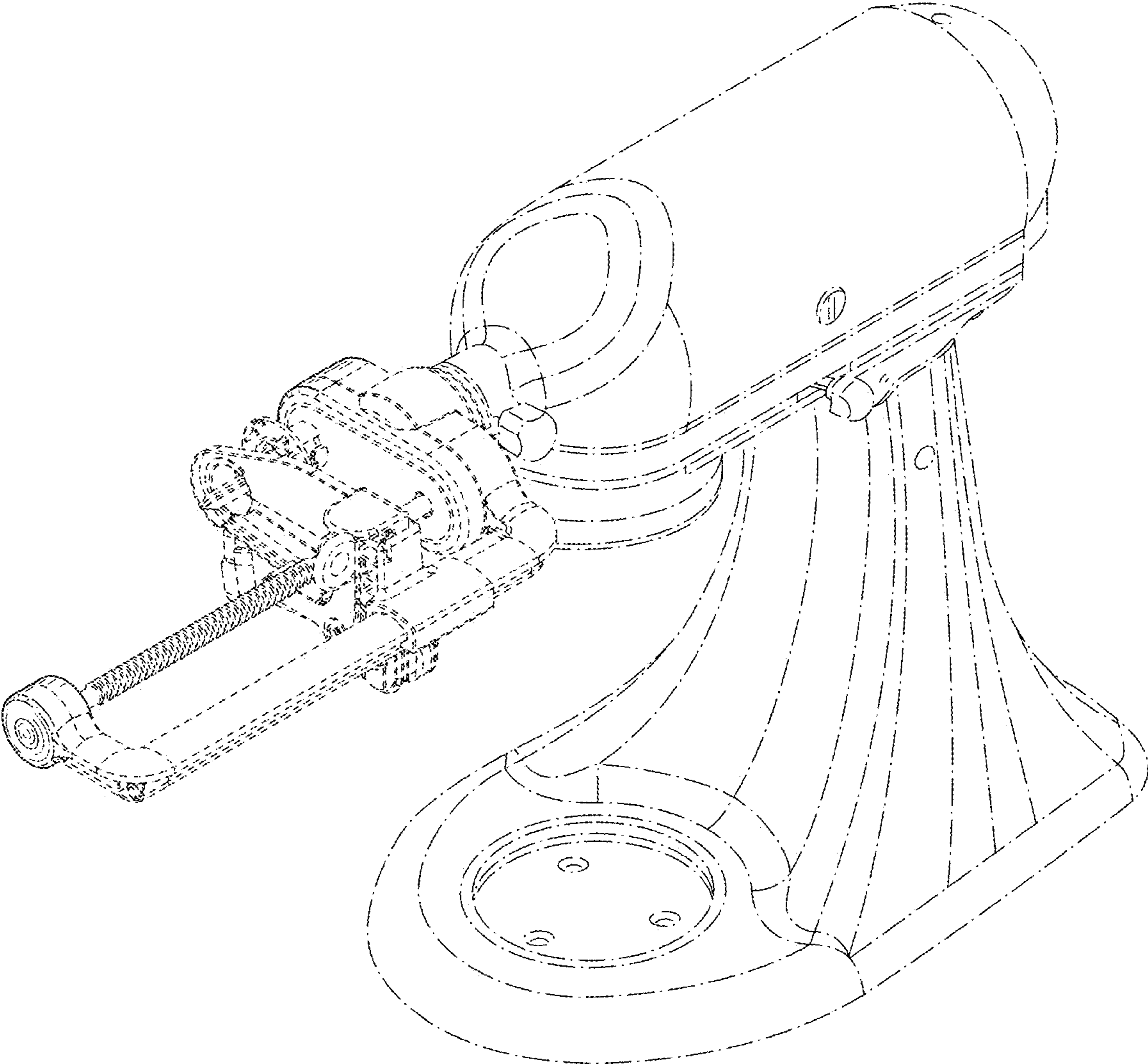


FIG. 5