



US00D919363S

(12) **United States Design Patent** (10) **Patent No.:** **US D919,363 S**
Pionek et al. (45) **Date of Patent:** **** May 18, 2021**

(54) **VERTICALLY MOUNTED CONTROL KNOB FOR A GAS COOKTOP**

(71) Applicant: **Wolf Appliance, Inc.**, Fitchburg, WI (US)

(72) Inventors: **Jason C. Pionek**, Madison, WI (US); **Mark R. Eckert**, Verona, WI (US); **Curtis Leroy Cruver, IV**, Elmhurst, IL (US); **William Cesare Cesaroni**, Glenview, IL (US); **Curt P. Vitcenda**, Edgerton, WI (US); **Patrick W. Best**, Mount Horeb, WI (US)

(73) Assignee: **Wolf Appliance, Inc.**, Fitchburg, WI (US)

(**) Term: **15 Years**

(21) Appl. No.: **29/683,604**

(22) Filed: **Mar. 14, 2019**

Related U.S. Application Data

(62) Division of application No. 29/554,267, filed on Feb. 10, 2016, now Pat. No. Des. 849,478.

(51) **LOC (13) Cl.** **07-99**

(52) **U.S. Cl.**
USPC **D7/406**

(58) **Field of Classification Search**
USPC D7/387, 393, 394, 323, 331, 332-337, D7/339, 340, 346, 351, 354, 358, D7/402-409; D8/300, 303, 307, 321, 322
CPC F24C 15/36; F24C 15/107; F24C 3/12; F24C 3/124; F24C 3/126; F24C 7/08; F24C 7/081; F24C 7/082; A47J 37/06; A47J 37/07

See application file for complete search history.

(56) **References Cited**

U.S. PATENT DOCUMENTS

D521,801 S * 5/2006 Huxhold D7/393
D578,890 S * 10/2008 Swanson D9/435
D696,068 S * 12/2013 Baacke D7/402

(Continued)

OTHER PUBLICATIONS

MLifetime Appliance Knob | posted at Amazon.com, posted on Jun. 30, 2017, © 1996-2021 Amazon.com, [online], [site visited Mar. 25, 2021]. Available from Internet, <URL:https://www.amazon.com/Lifetime-Appliance-WB03X25889-General-Electric/dp/B07WSHXZ9N/> (Year: 2017).*

(Continued)

Primary Examiner — Susan E Krakower

Assistant Examiner — Andrew Kerr

(74) *Attorney, Agent, or Firm* — Bell & Manning, LLC

(57) **CLAIM**

We claim the ornamental design for a vertically mounted control knob for a gas cooktop, as shown and described.

DESCRIPTION

FIG. 1 is a top, front, right perspective view of a vertically mounted control knob for a gas cooktop showing our new design in a use condition;

FIG. 2 is a top, front perspective view thereof;

FIG. 3 is a front elevation view thereof;

FIG. 4 is a back elevation view thereof;

FIG. 5 is a bottom plan view thereof;

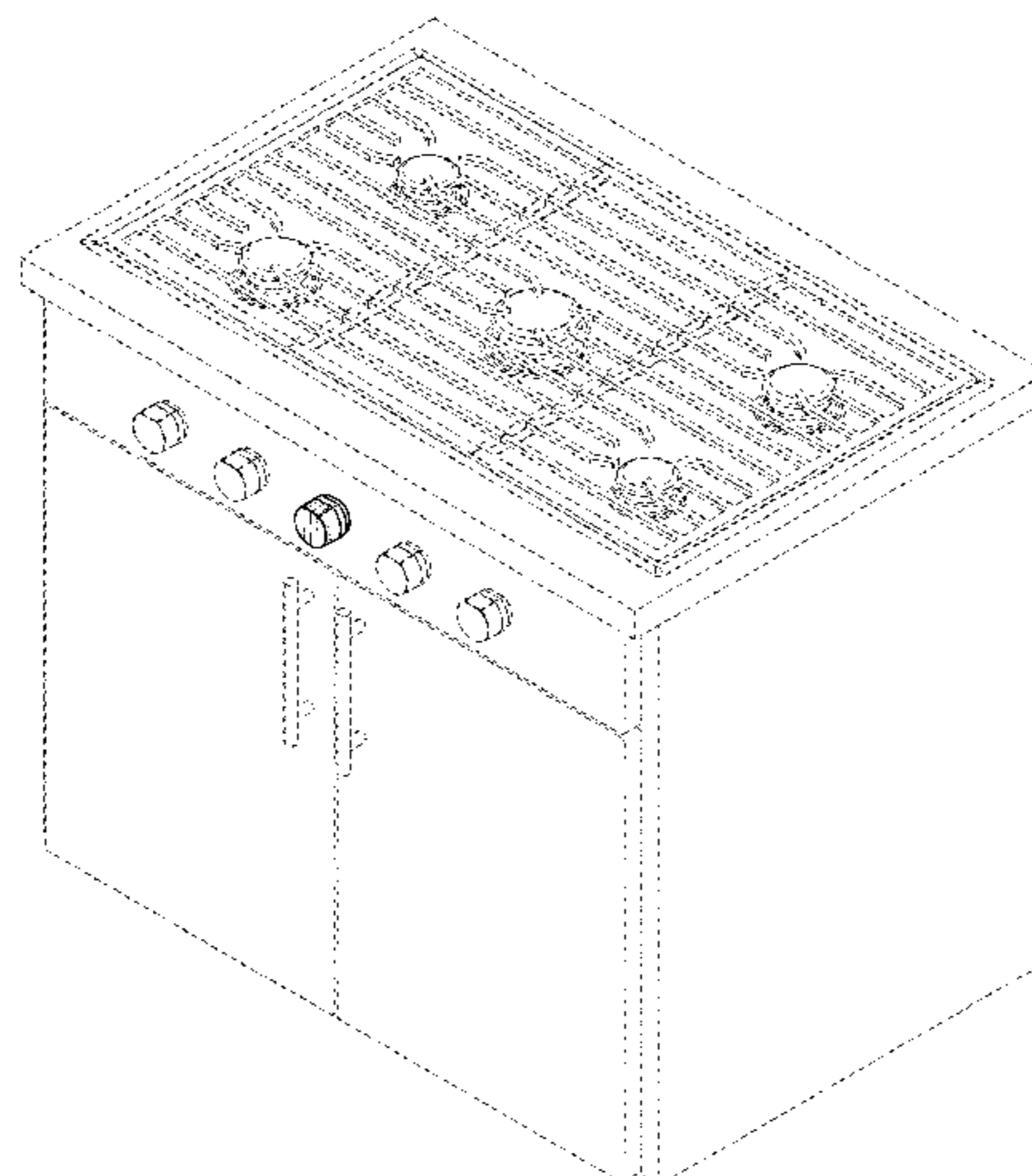
FIG. 6 is a top plan view thereof;

FIG. 7 is a right elevation view thereof; and,

FIG. 8 is a left elevation view thereof.

The dash-dash broken lines in FIGS. 1-8 are included for the purpose of illustrating portions of the vertically mounted control knob for a gas cooktop which forms no part of the claimed design. The dash-dot lines are included for the purpose of illustrating a boundary which forms no part of the claimed design.

1 Claim, 6 Drawing Sheets



(56)

References Cited

U.S. PATENT DOCUMENTS

D726,524	S	*	4/2015	Borjesson	D8/311
D733,603	S	*	7/2015	Graf	D10/128
D781,126	S	*	3/2017	Pionek	D8/310
D797,542	S	*	9/2017	Block	D8/310
D806,512	S	*	1/2018	Chow	D8/311
D822,561	S	*	7/2018	Hochhalter	D12/179
D824,236	S	*	7/2018	Chintis	D8/311
D824,237	S	*	7/2018	Gregory	D8/311
D844,408	S	*	4/2019	Lu	D8/301
D849,478	S	*	5/2019	Pionek	D7/406
D856,112	S	*	8/2019	Ferreira Sanchez	D8/302
D890,754	S	*	7/2020	Raken	D14/388
2017/0227231	A1	*	8/2017	Pionek	F24C 3/124

OTHER PUBLICATIONS

Mironey 8mm Shaft Knob | posted at Amazon.com, posted on Aug. 18, 2020, © 1996-2021 Amazon.com, [online], [site visited Mar. 25, 2021], Available from Internet, <URL:<https://www.amazon.com/dp/B08G48NQL7/>> (Year: 2020).*

* cited by examiner

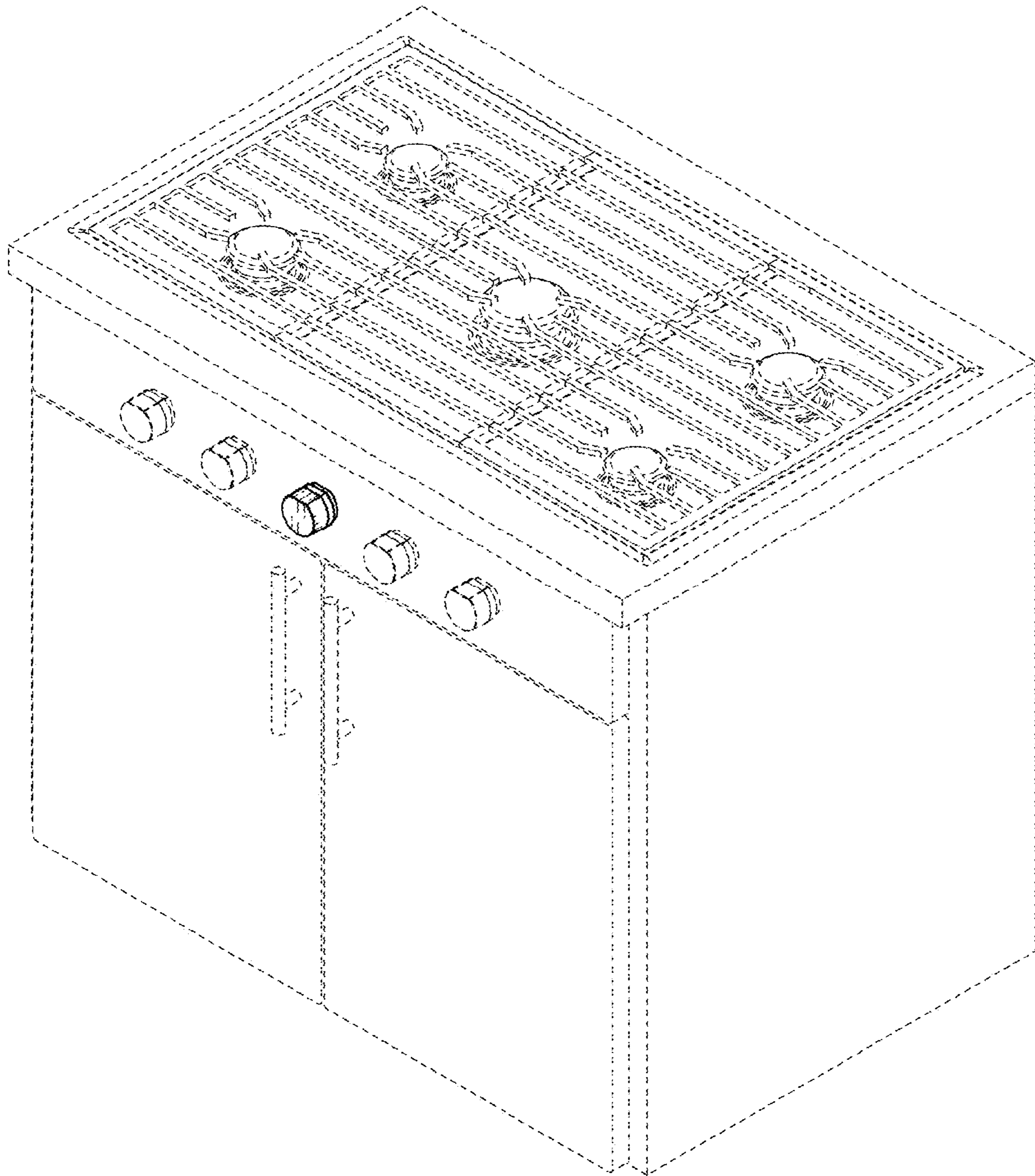


FIG. 1

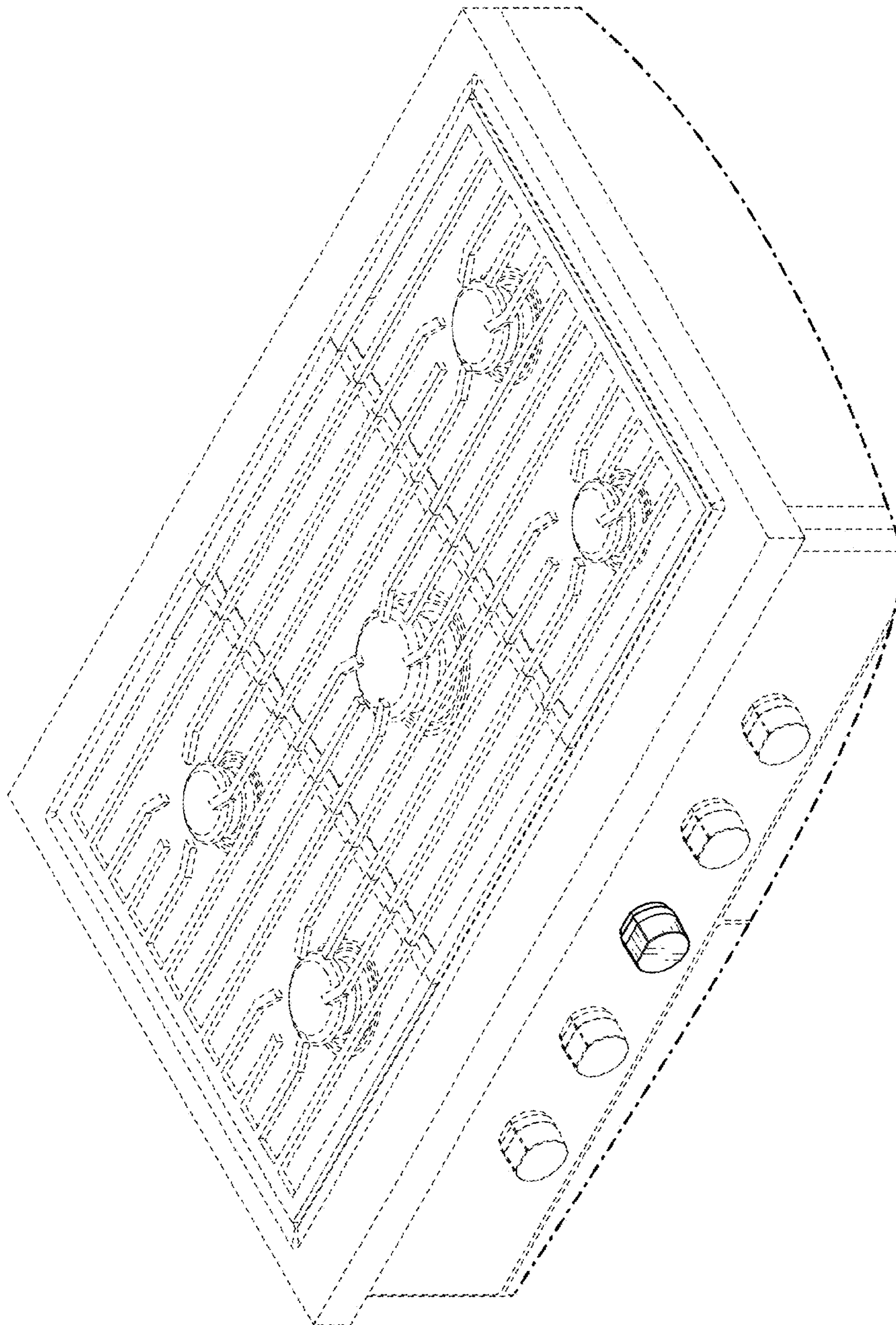


FIG. 2

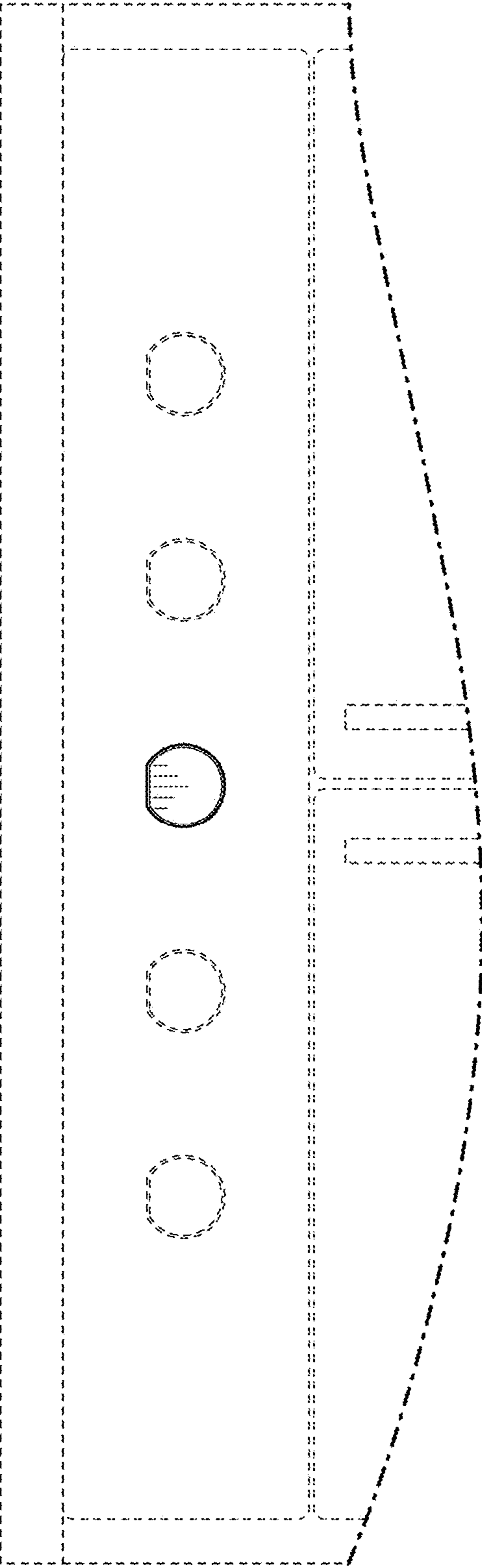


FIG. 3

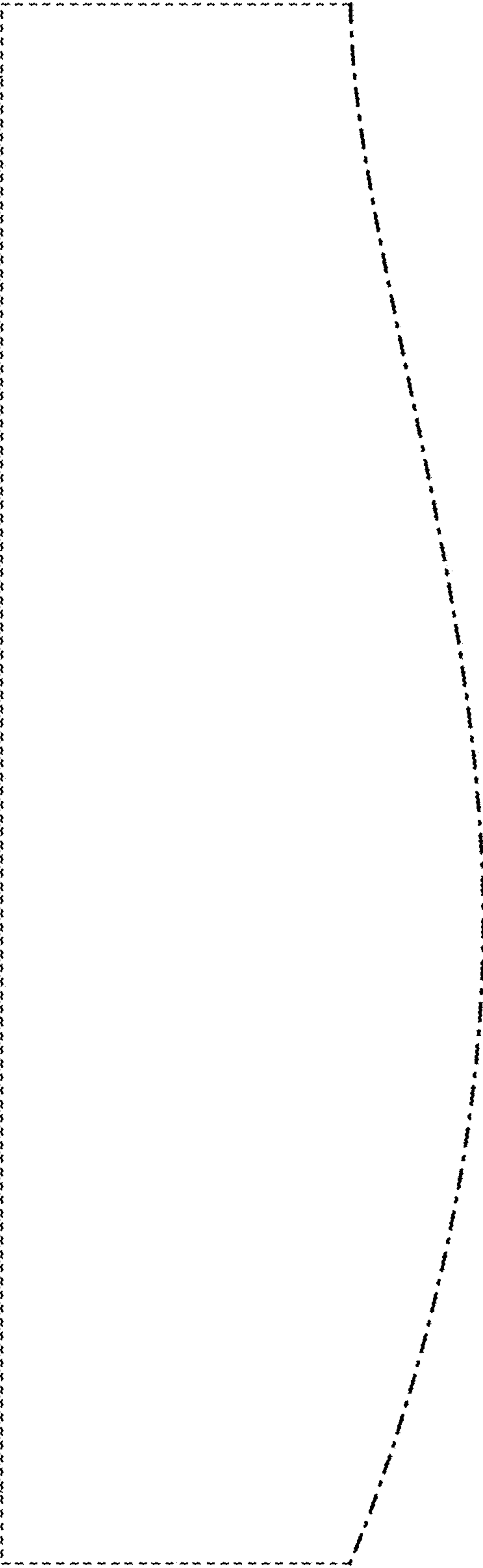


FIG. 4

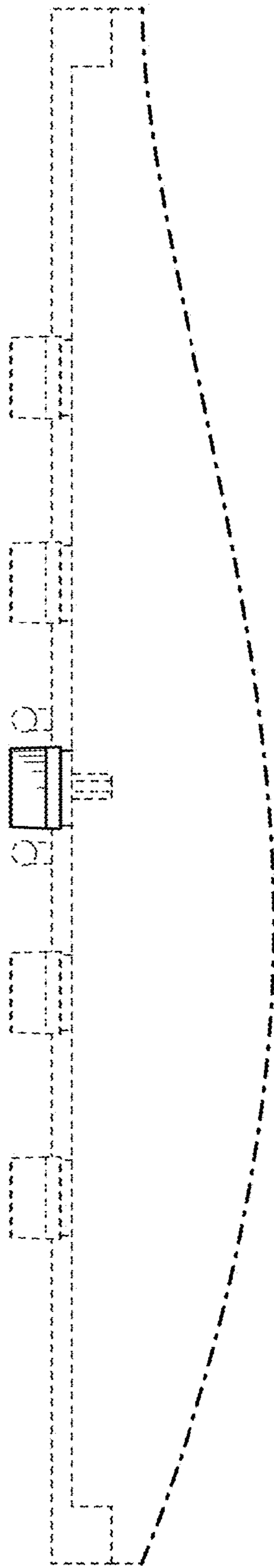


FIG. 5

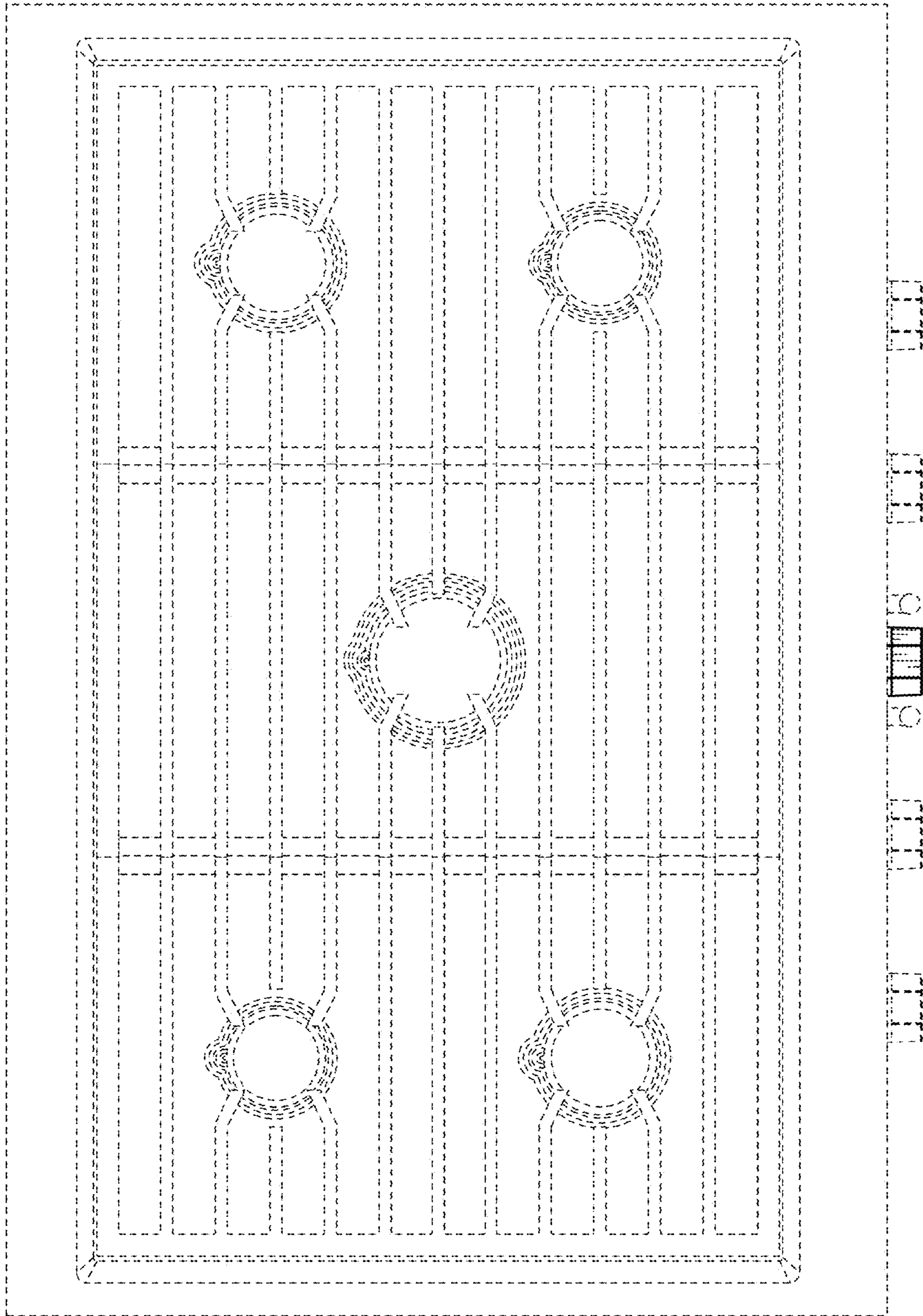


FIG. 6

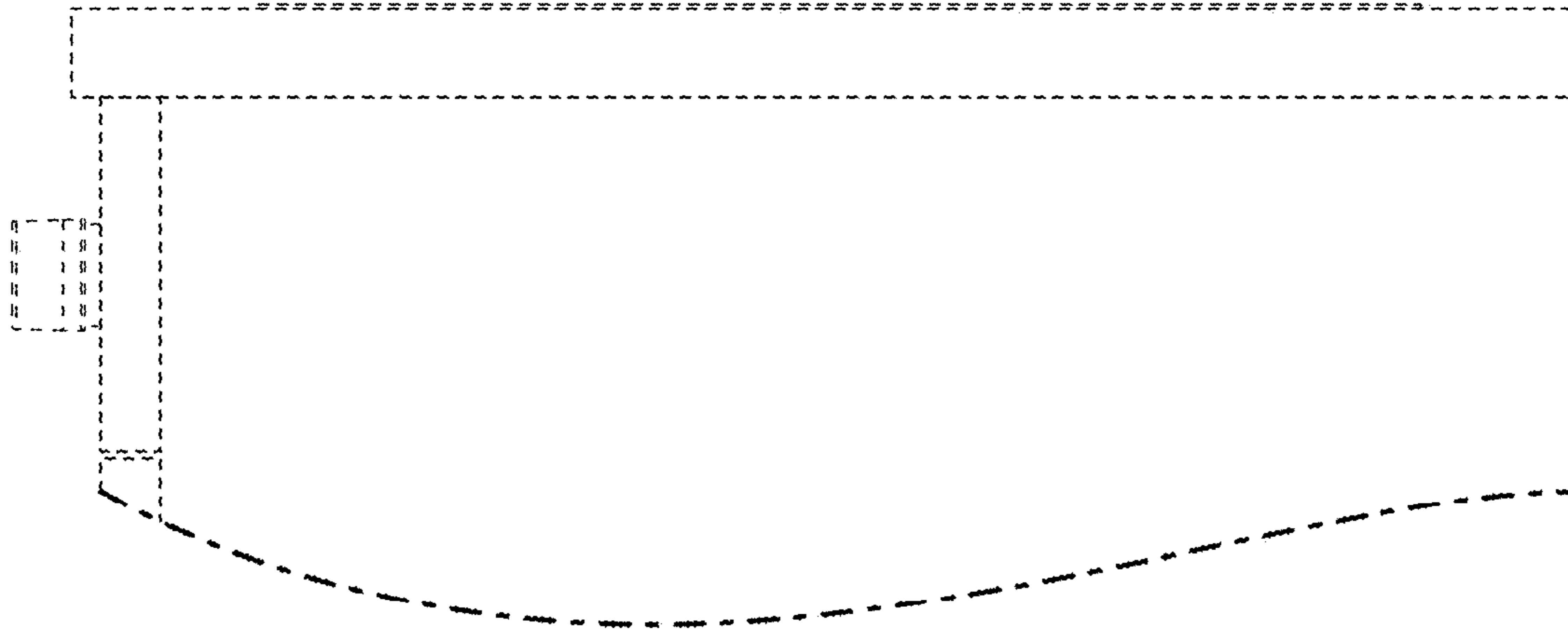


FIG. 7

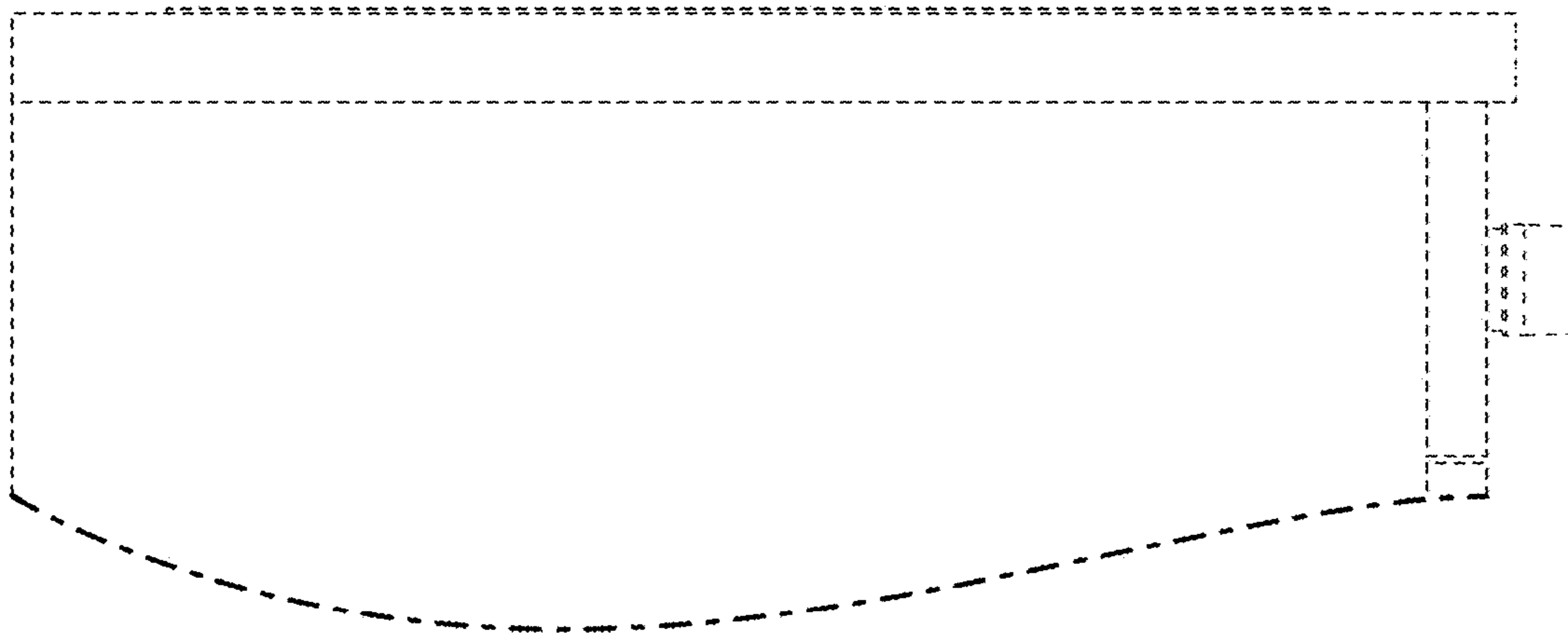


FIG. 8