



US00D919362S

(12) **United States Design Patent**
Carmona et al.

(10) **Patent No.:** **US D919,362 S**

(45) **Date of Patent:** **** May 18, 2021**

(54) **DRINKING GLASS**

(71) Applicants: **Tammy Carmona**, Brooklyn, NY (US);
Mordechia Mittelman, Brooklyn, NY (US)

(72) Inventors: **Tammy Carmona**, Brooklyn, NY (US);
Mordechia Mittelman, Brooklyn, NY (US)

(73) Assignee: **MM PRODUCTS INC.**, Brooklyn, NY (US)

(**) Term: **15 Years**

(21) Appl. No.: **29/641,426**

(22) Filed: **Mar. 22, 2018**

(51) **LOC (13) Cl.** **07-01**

(52) **U.S. Cl.**

USPC **D7/396.6; D7/396.2**

(58) **Field of Classification Search**

USPC D7/507, 509, 510, 511, 523, 533, 608,
D7/536, 396.6, 387, 388, 300.1, 392.1,
D7/396.2, 624.2, 396.4, 601, 320, 524,
D7/537, 551.1, 552.2, 553.6, 556, 604,
D7/602, 564, 571, 567, 515; D9/500,
D9/678, 669, 715, 719, 536, 528, 531,
D9/534, 435, 440, 443; D11/152, 153,
D11/143, 144; D17/13, 99; D26/93

CPC A47J 31/14; A47J 36/14; A47J 31/005;
A47J 31/00; A47G 19/14; A47G 19/2272

See application file for complete search history.

(56) **References Cited**

U.S. PATENT DOCUMENTS

D84,552 S * 6/1931 Siegel D6/708
D256,309 S * 8/1980 Saffell D7/527

D292,027 S * 9/1987 LaRoye D11/131
D575,189 S * 8/2008 Fortin D11/131
D625,879 S * 10/2010 Sabernig D26/93
D637,035 S * 5/2011 Zorovich D7/387
D645,603 S * 9/2011 Overy D26/93
D742,816 S * 11/2015 Anker D13/102

OTHER PUBLICATIONS

https://www.amazon.com/dp/B076ZVJSK3/ref=sspa_dk_detail_7?psc=1 (Year: 2017).*

* cited by examiner

Primary Examiner — Jae Liang

(74) *Attorney, Agent, or Firm* — Cozen O'Connor

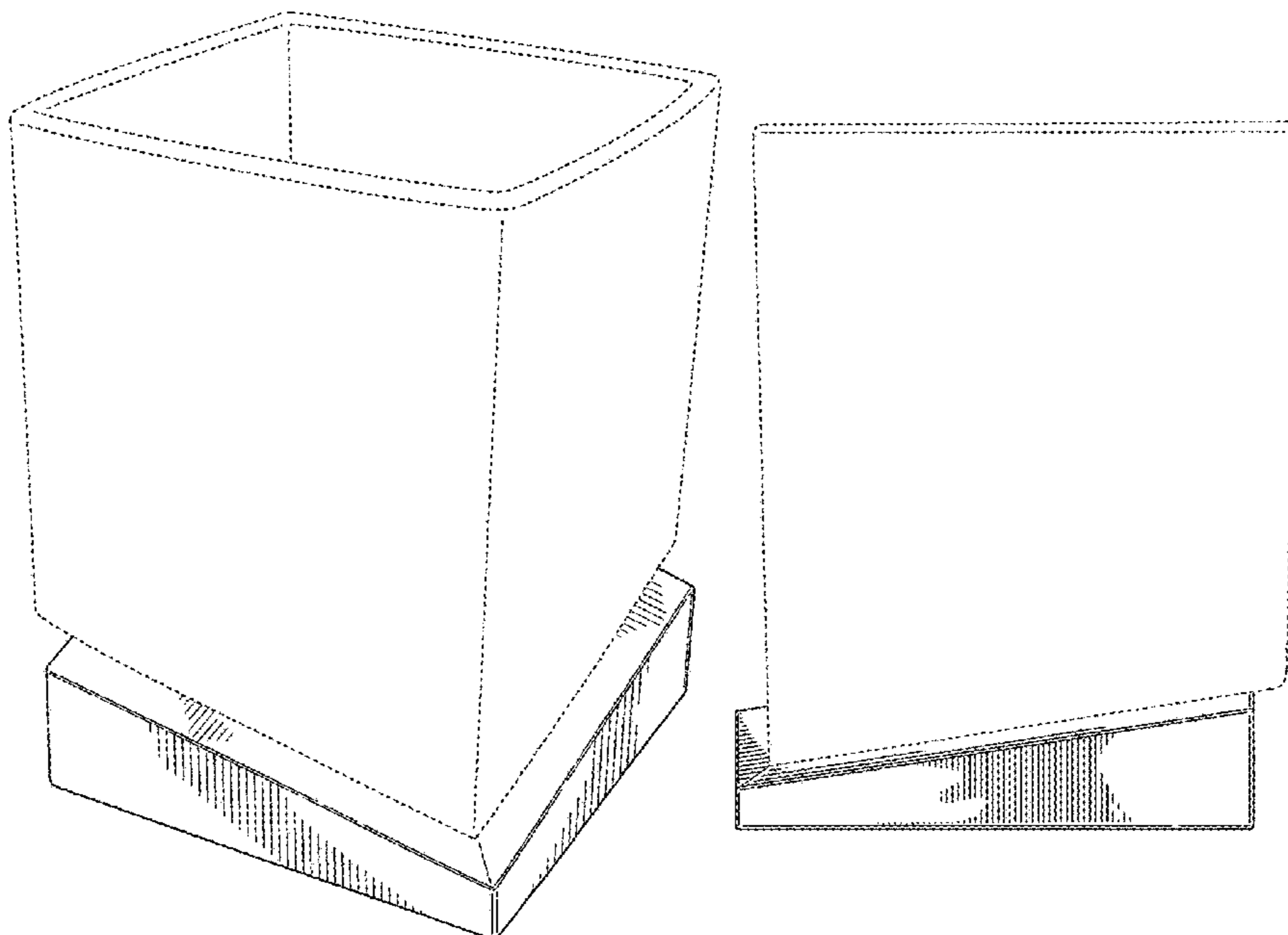
(57) **CLAIM**

We claim the ornamental design for a drinking glass, as shown and described.

DESCRIPTION

FIG. 1 is a first perspective view of a drinking glass;
FIG. 2 is a second perspective view of the drinking glass;
FIG. 3 is a first side view of the drinking glass;
FIG. 4 is a second side view of the drinking glass;
FIG. 5 is a third side view of the drinking glass;
FIG. 6 is a fourth side view of the drinking glass;
FIG. 7 is a top view of the drinking glass; and,
FIG. 8 is a bottom view of the drinking glass.
Broken lines shown in the drawings represent environment and form no part of the claimed design.

1 Claim, 8 Drawing Sheets



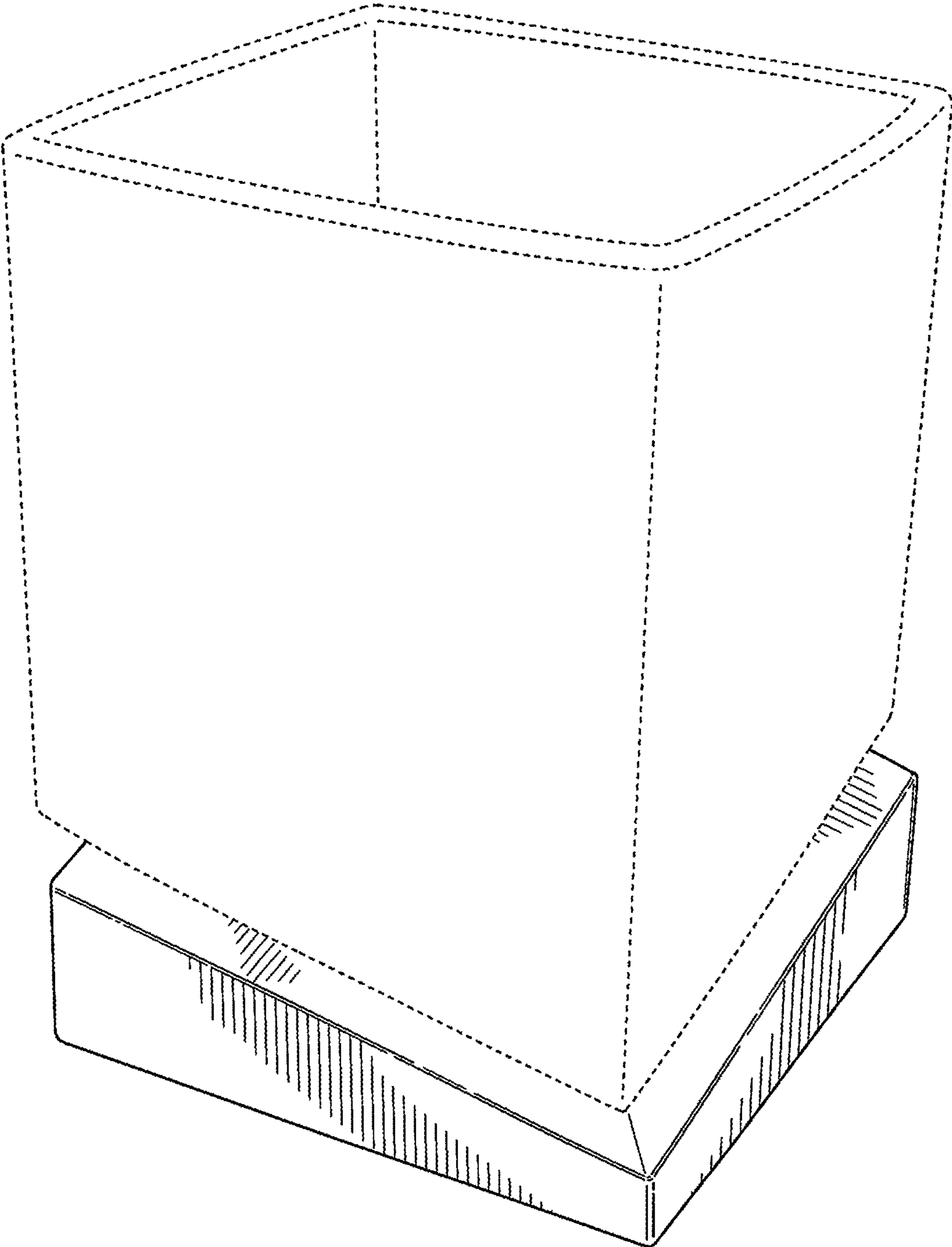


FIG. 1

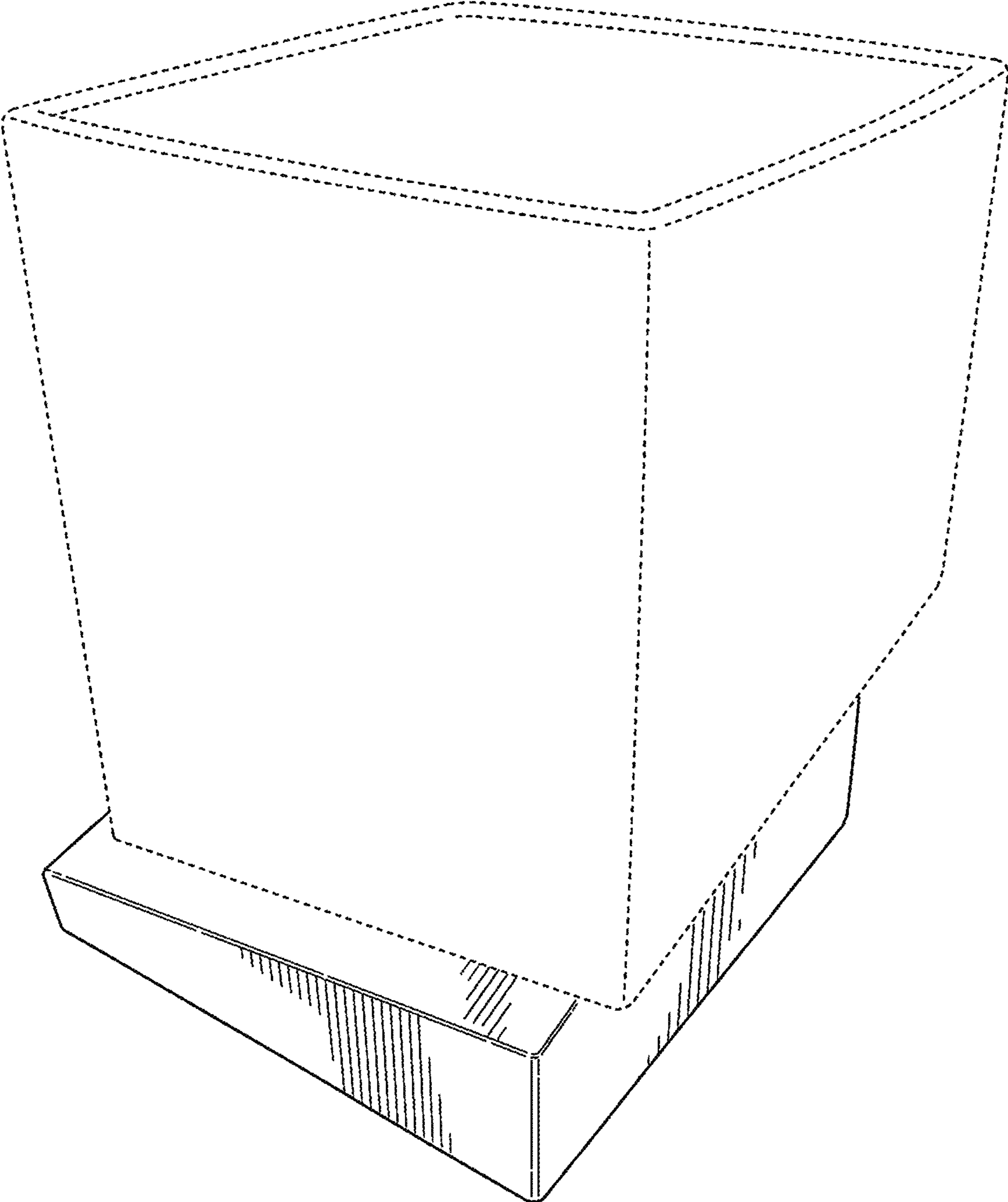


FIG. 2

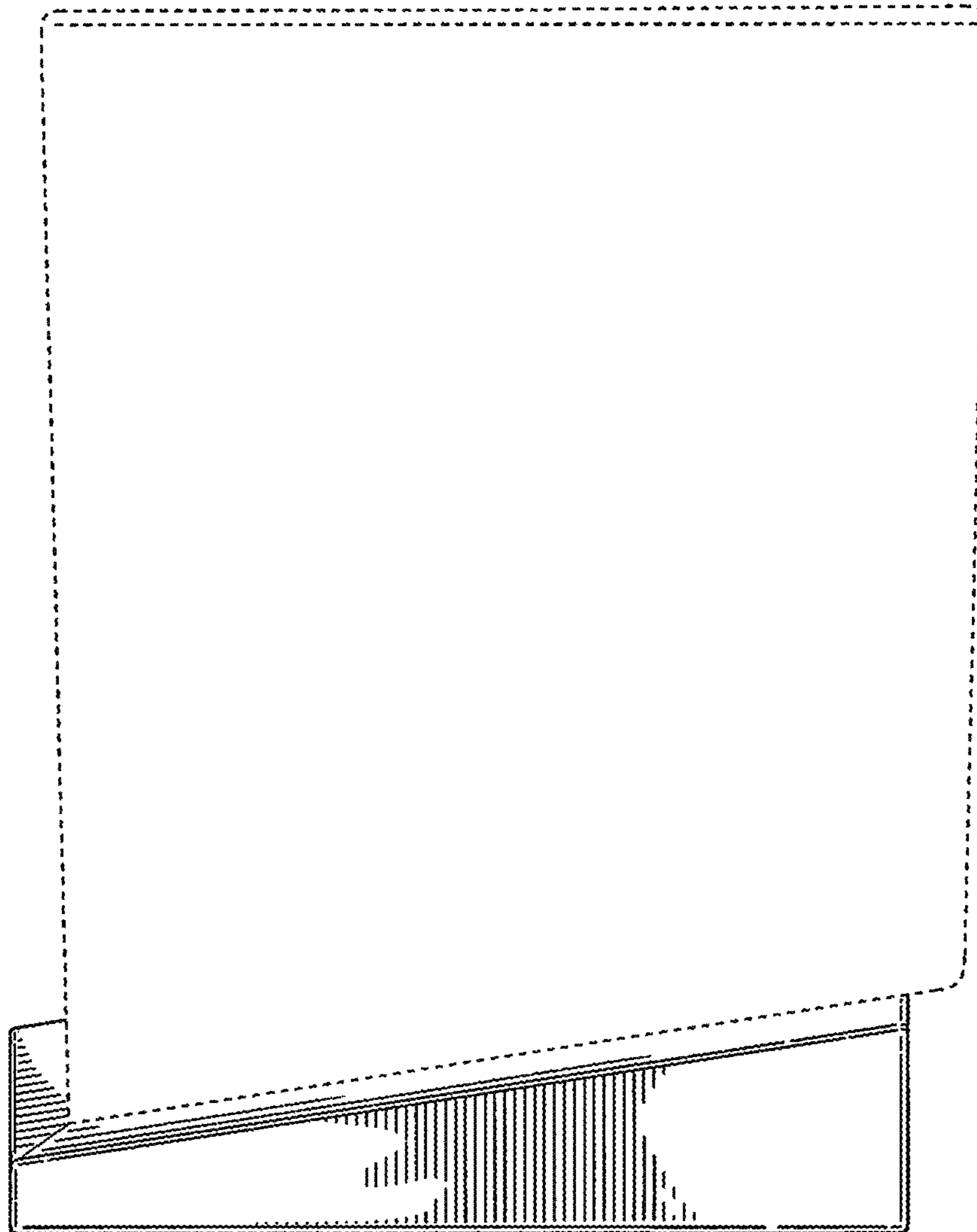


FIG. 3

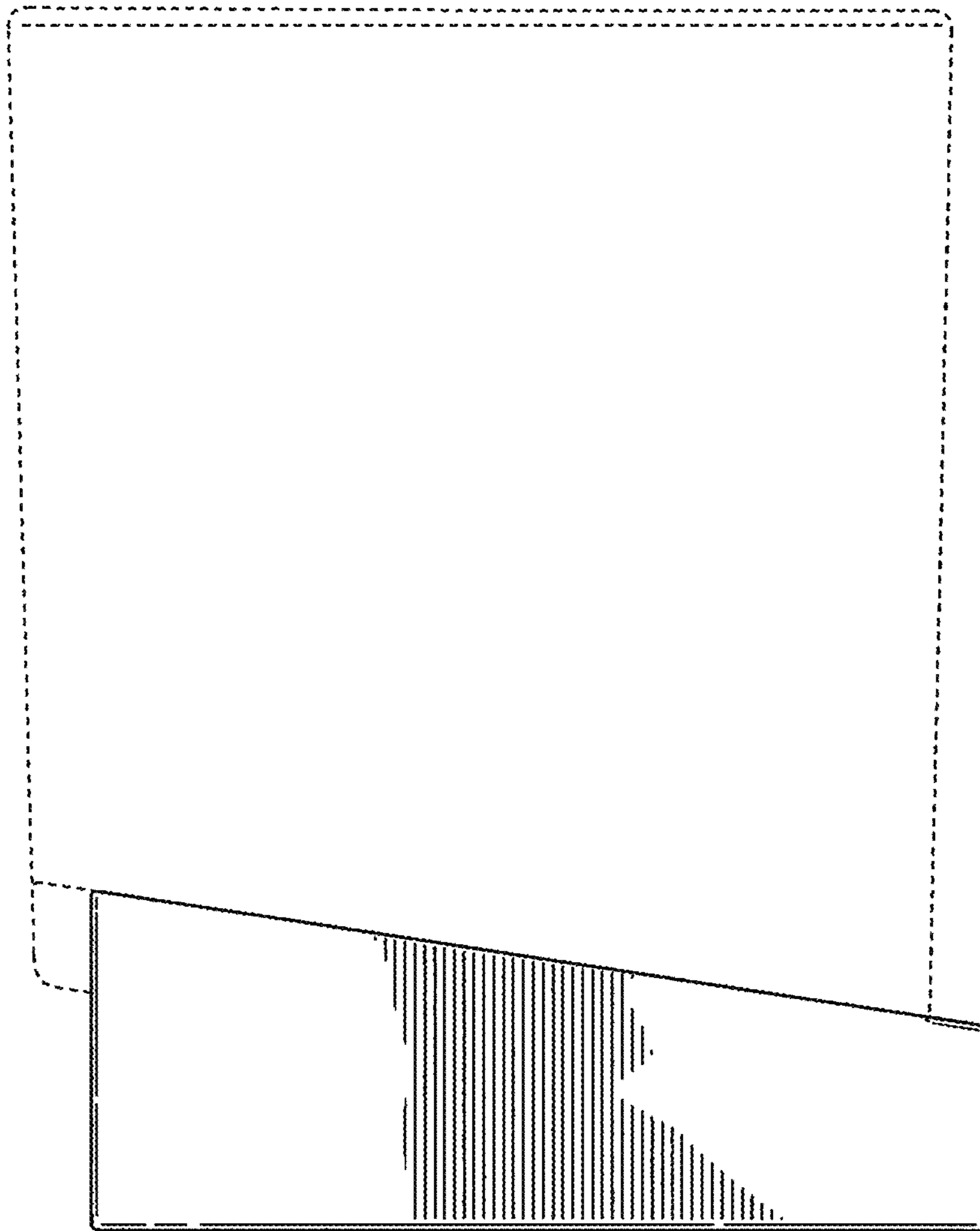


FIG. 4

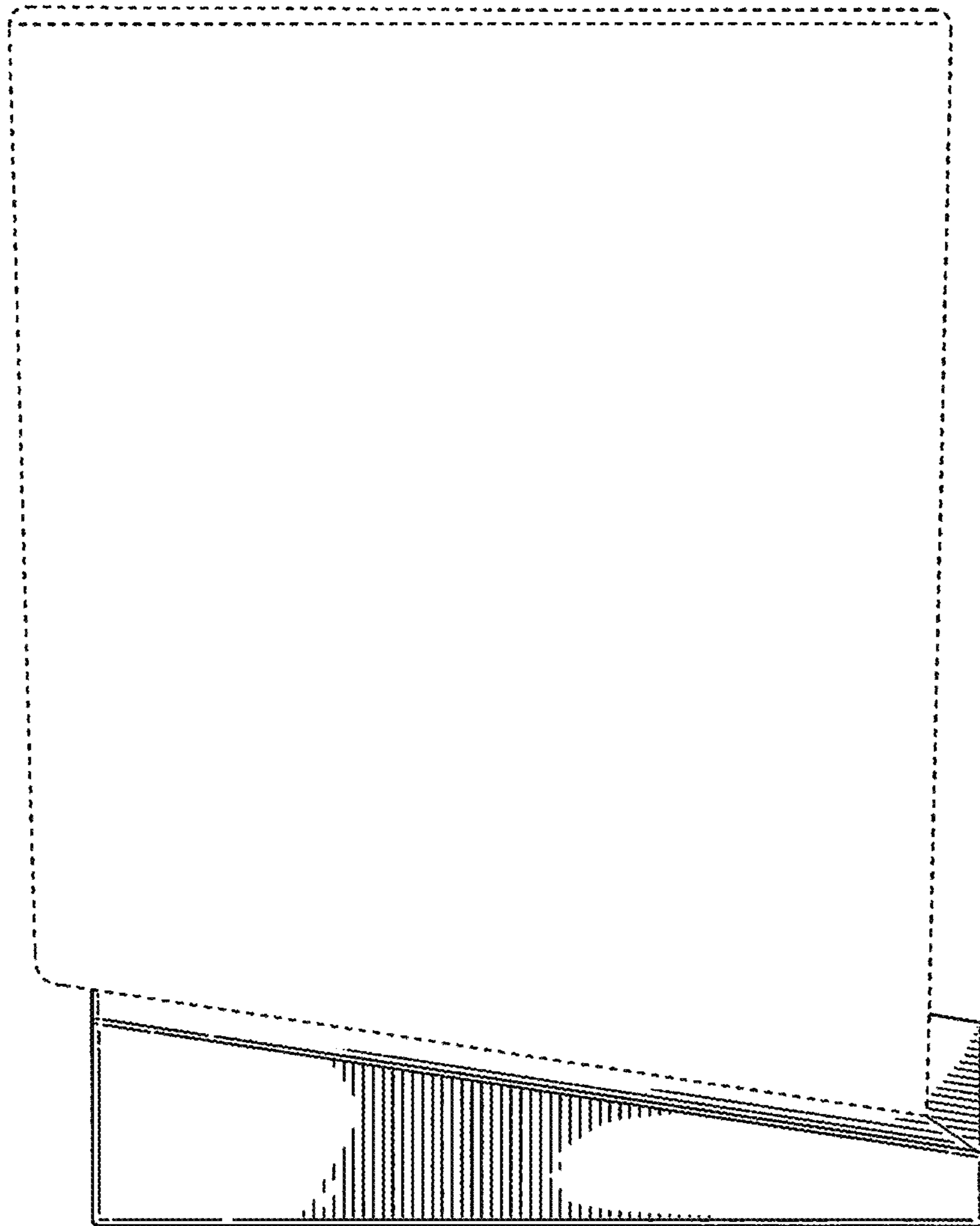


FIG. 5

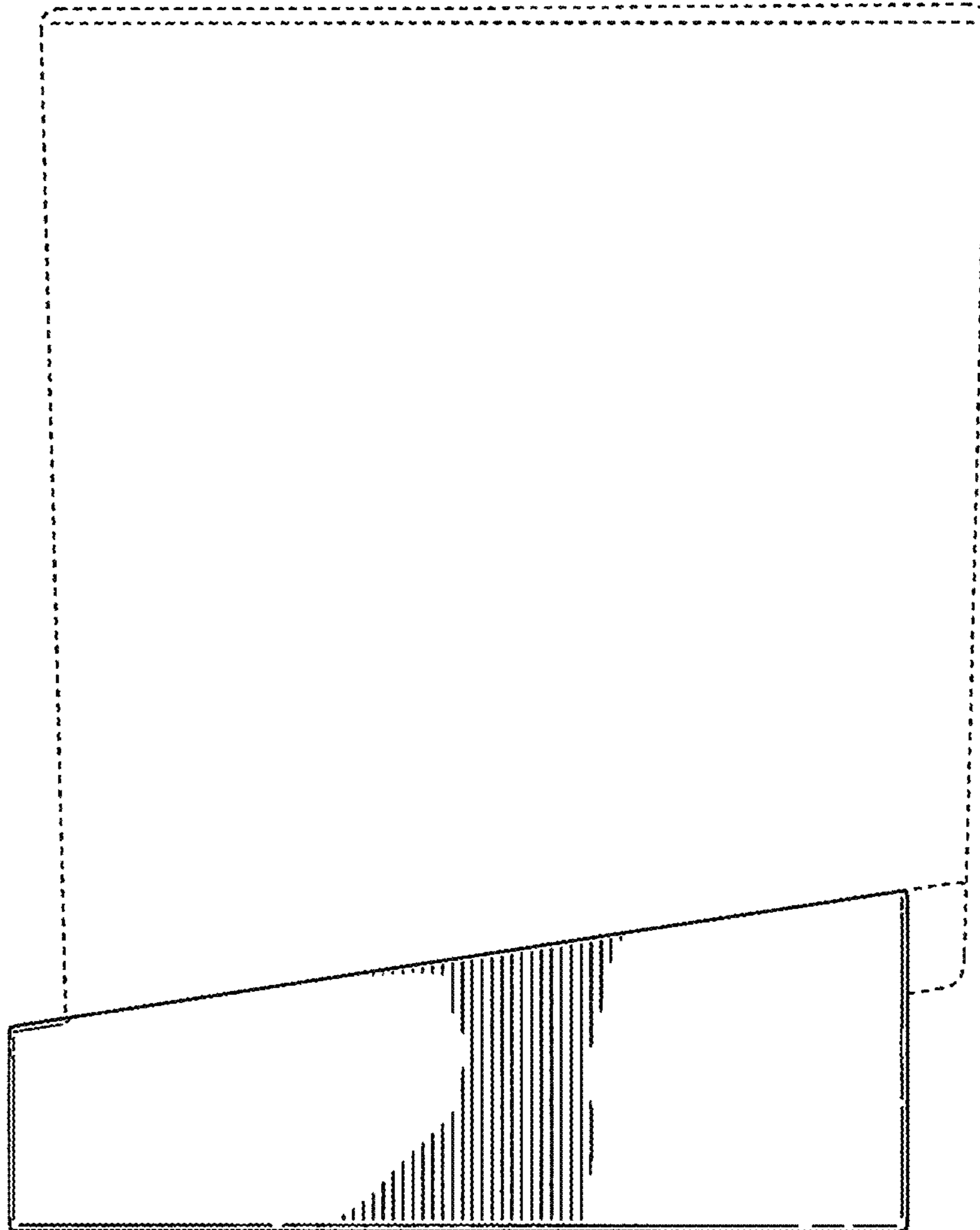


FIG. 6

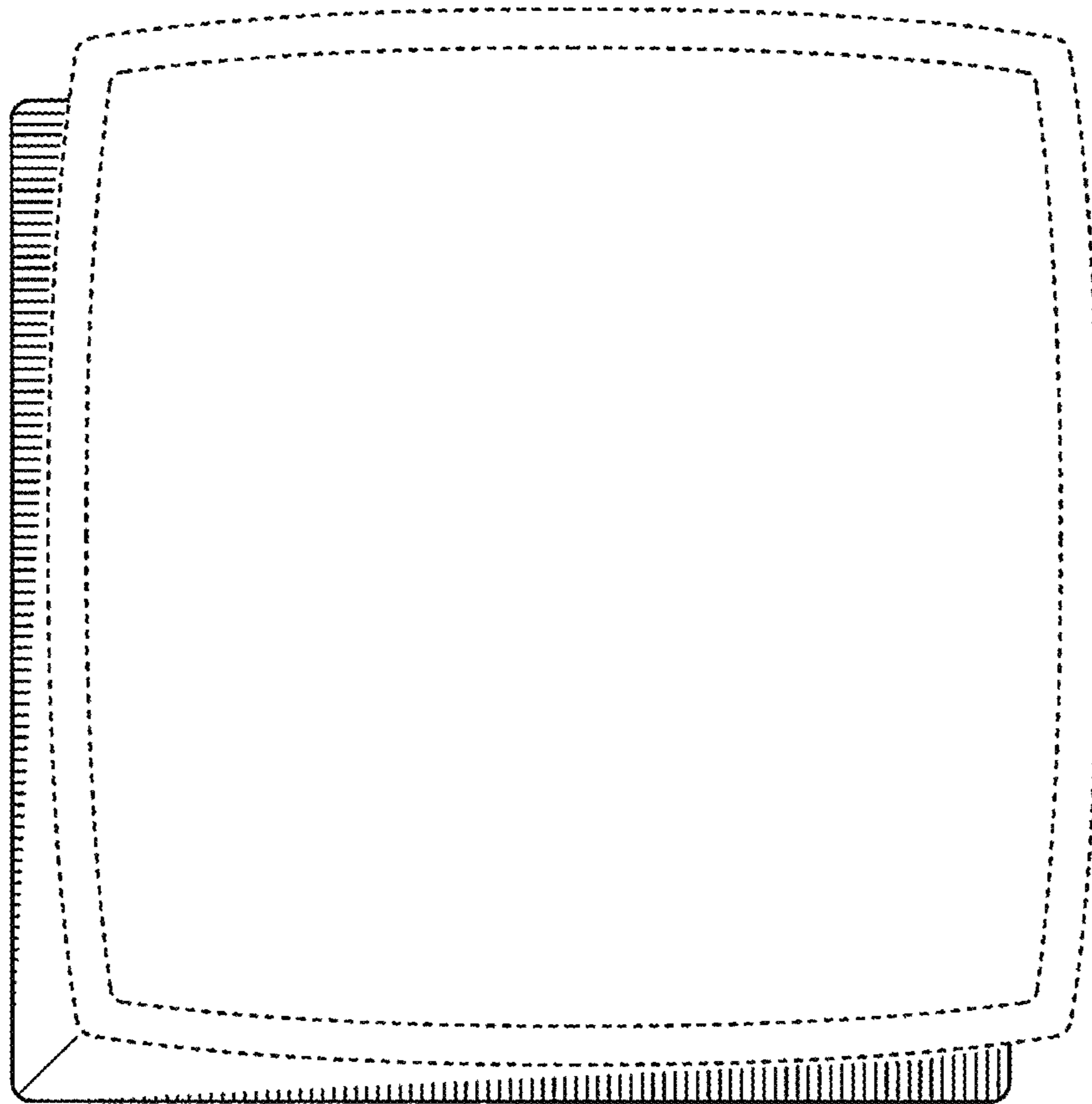


FIG. 7

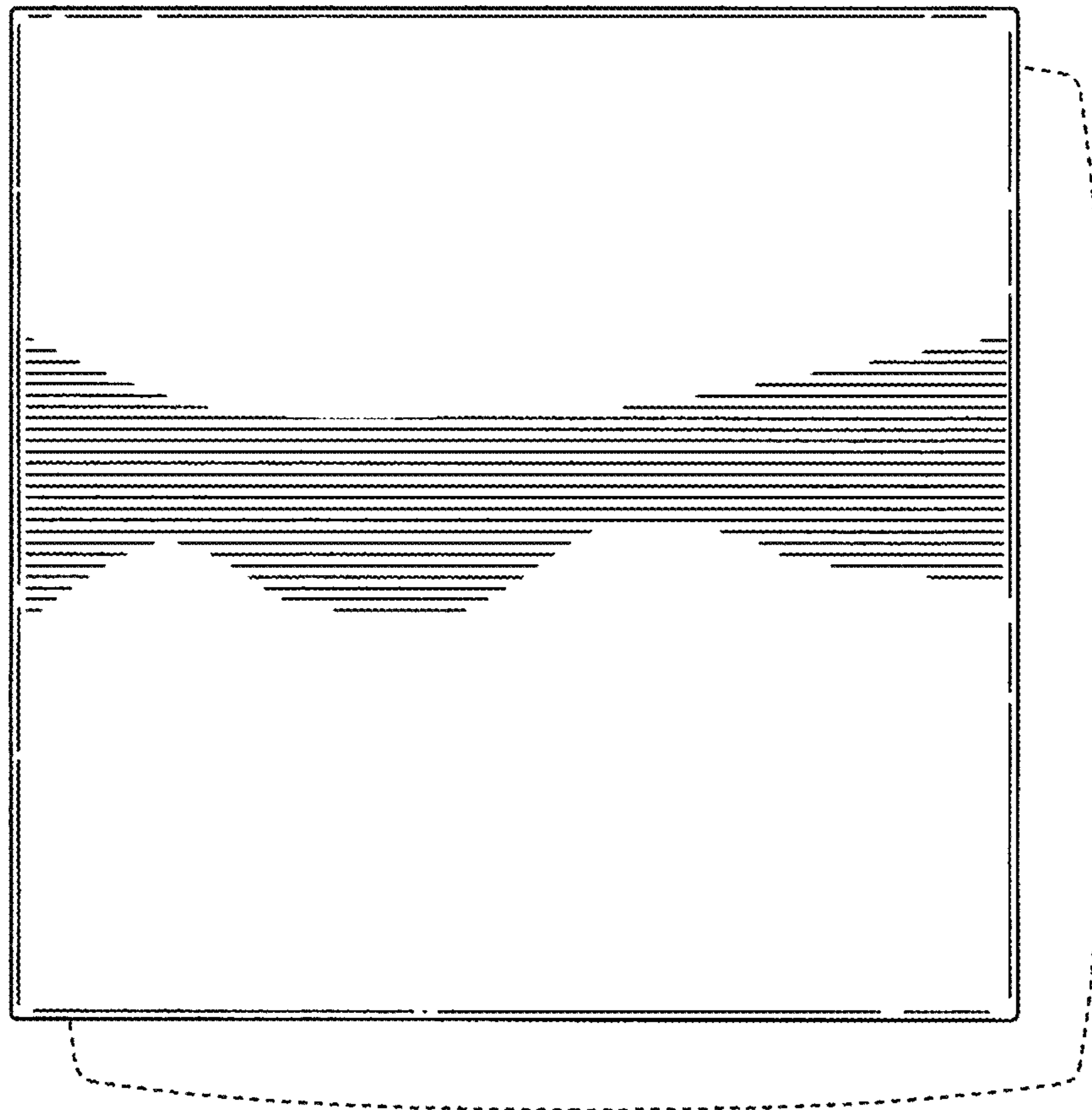


FIG. 8