



US00D919361S

(12) **United States Design Patent** (10) **Patent No.:** **US D919,361 S**
Hinds (45) **Date of Patent:** **** May 18, 2021**

(54) **ELONGATED HANDLE FOR COOKWARE**
(71) Applicant: **CONAIR CORPORATION**, Stamford, CT (US)

(72) Inventor: **Kristen Lee Hinds**, Stamford, CT (US)

(73) Assignee: **Conair Corporation**, Stamford, CT (US)

(**) Term: **15 Years**

(21) Appl. No.: **29/698,176**

(22) Filed: **Jul. 15, 2019**

(51) **LOC (13) Cl.** **07-02**

(52) **U.S. Cl.**
USPC **D7/395**

(58) **Field of Classification Search**
USPC D7/354-361, 393-395, 664, 401.2, 402
CPC A47J 45/06; A47J 45/061; A47J 45/062;
A47J 45/071; A47J 45/072; A47J 45/08;
A47J 45/085

See application file for complete search history.

(56) **References Cited**

U.S. PATENT DOCUMENTS

D644,486 S *	9/2011	Groll	D7/395
D704,505 S *	5/2014	Clabots	D7/395
D705,003 S *	5/2014	Rae	D7/395
D730,113 S *	5/2015	Barberi	D7/395
D730,114 S *	5/2015	Barberi	D7/395
D740,604 S *	10/2015	Barberi	D7/395
D790,271 S *	6/2017	Ryan	D7/395
9,833,101 B2 *	12/2017	Moon	H05B 6/1209

D813,595 S *	3/2018	Narvaez Lopez	D7/395
D889,905 S *	7/2020	Barberi	D7/395
2015/0114973 A1 *	4/2015	Mashburn	A47J 45/061 220/573.1

* cited by examiner

Primary Examiner — Cynthia M. Chin

(74) *Attorney, Agent, or Firm* — Ohlandt, Greeley, Ruggiero & Perle, L.L.P.

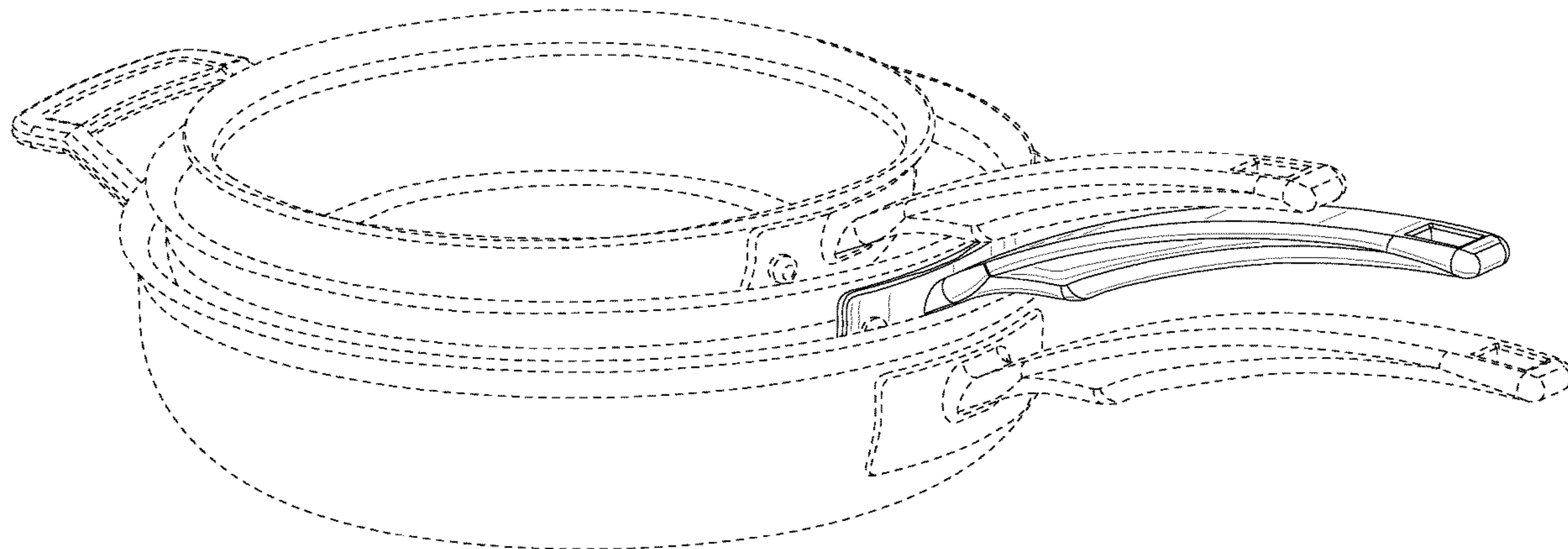
(57) **CLAIM**

The ornamental design for an elongated handle for cookware, as shown and described.

DESCRIPTION

FIG. 1 is a right, side perspective view of an ornamental design for an elongated handle for cookware according to the present invention;
 FIG. 2 is a right side elevational view of the elongated handle for cookware of FIG. 1;
 FIG. 3 is a left side elevational view of the elongated handle for cookware of FIG. 1;
 FIG. 4 is a top plan view of the elongated handle for cookware of FIG. 1;
 FIG. 5 is a bottom plan view of the elongated handle for cookware of FIG. 1;
 FIG. 6 is a front elevational view of the elongated handle for cookware of FIG. 1;
 FIG. 7 is a rear elevational view of the elongated handle for cookware of FIG. 1; and,
 FIG. 8 is a right, side perspective view of the elongated handle for cookware of FIG. 1 shown in a stacked configuration with other cookware.
 The broken lines represent the environment in which the article resides and forms no part of the claimed design.

1 Claim, 8 Drawing Sheets



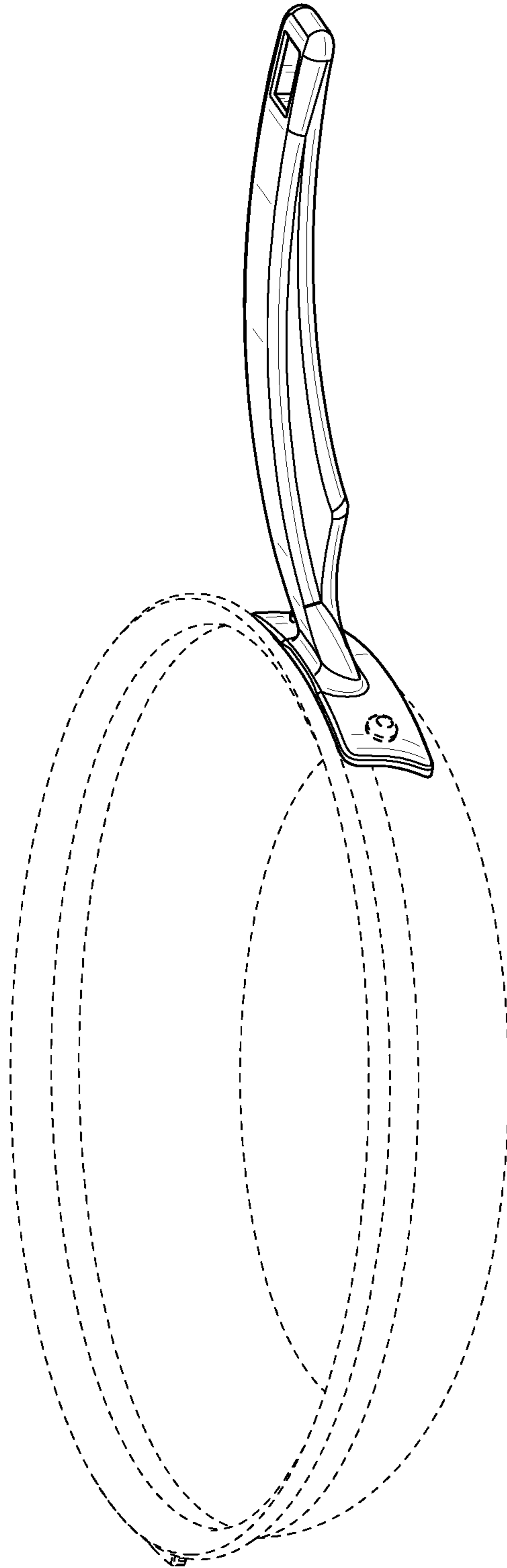


FIG. 1

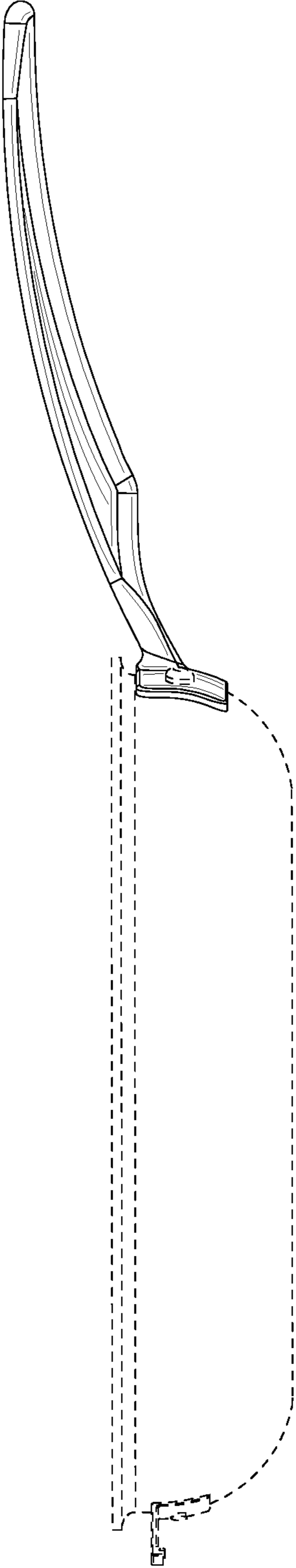


FIG. 2

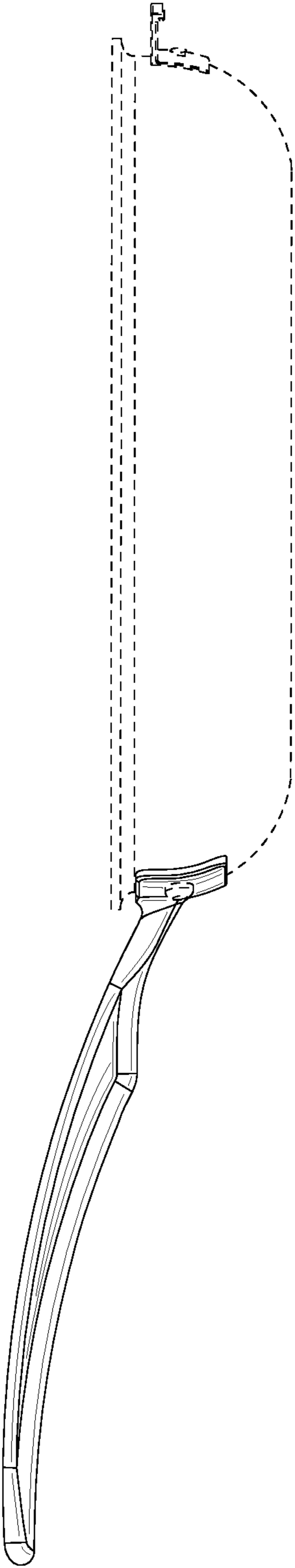


FIG. 3

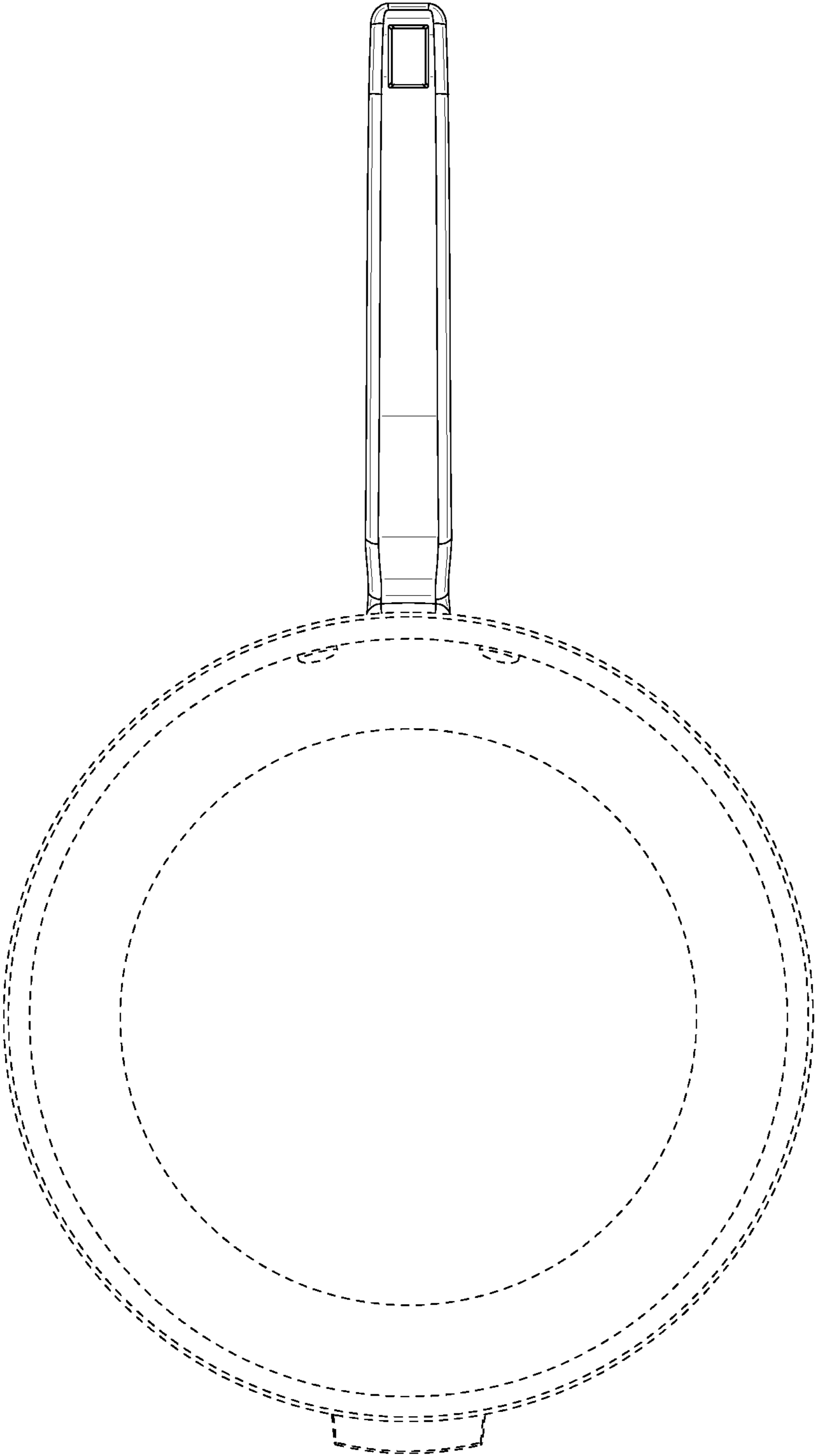


FIG. 4

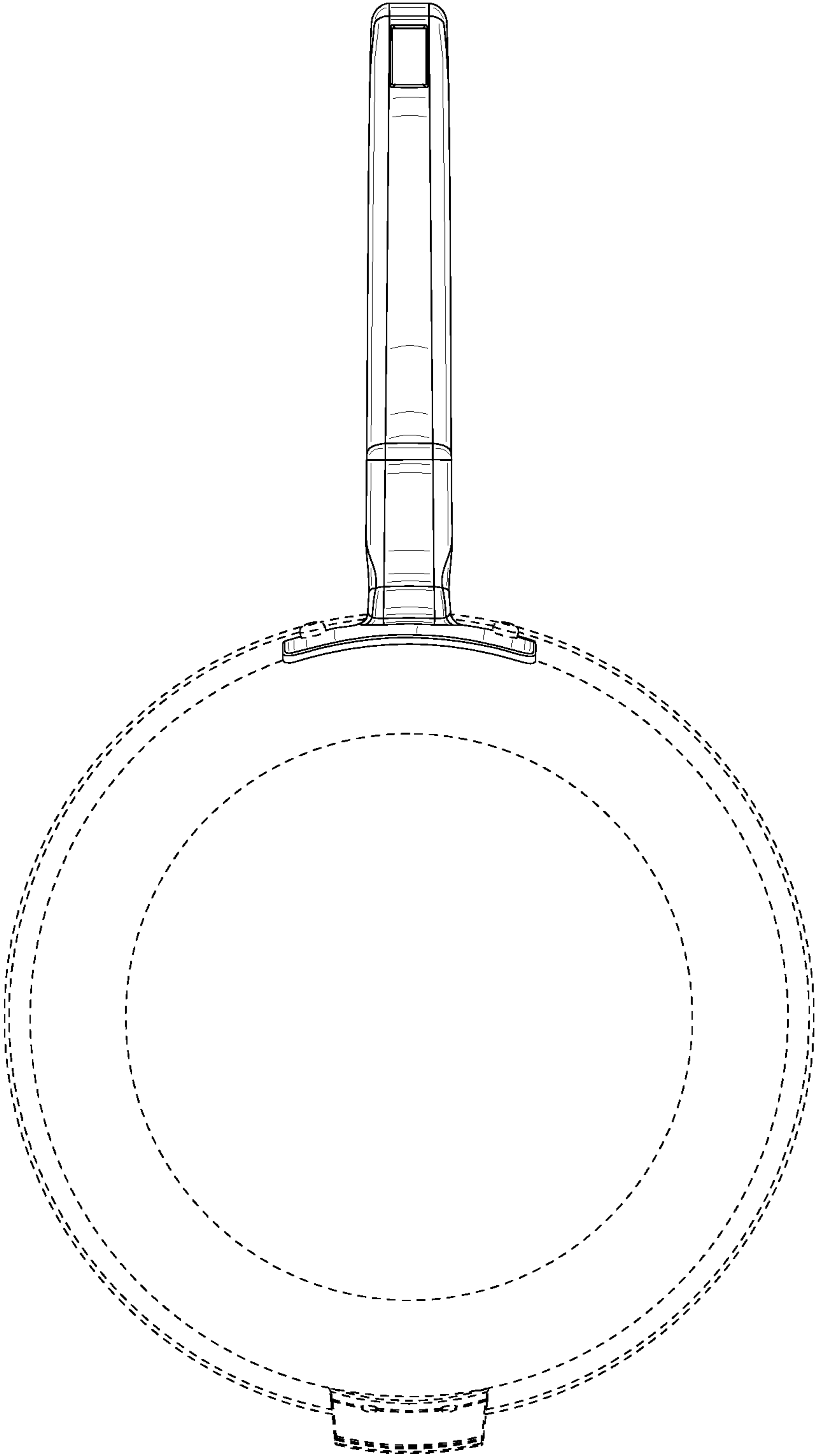


FIG. 5

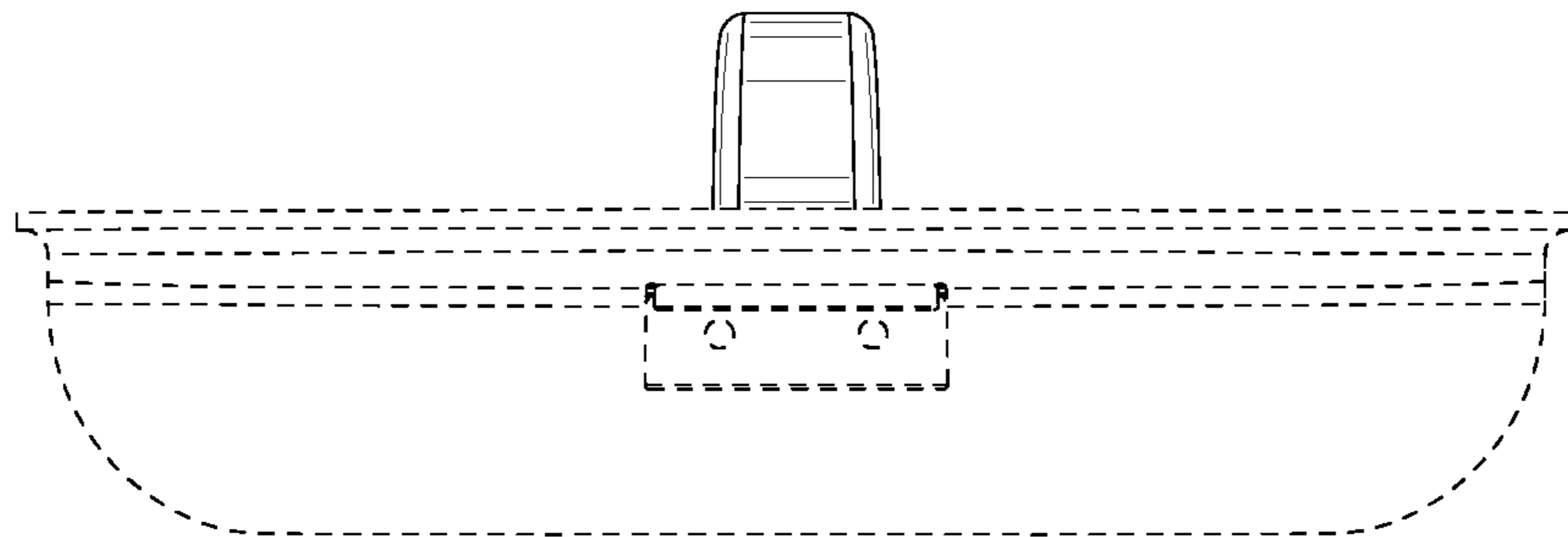


FIG. 6

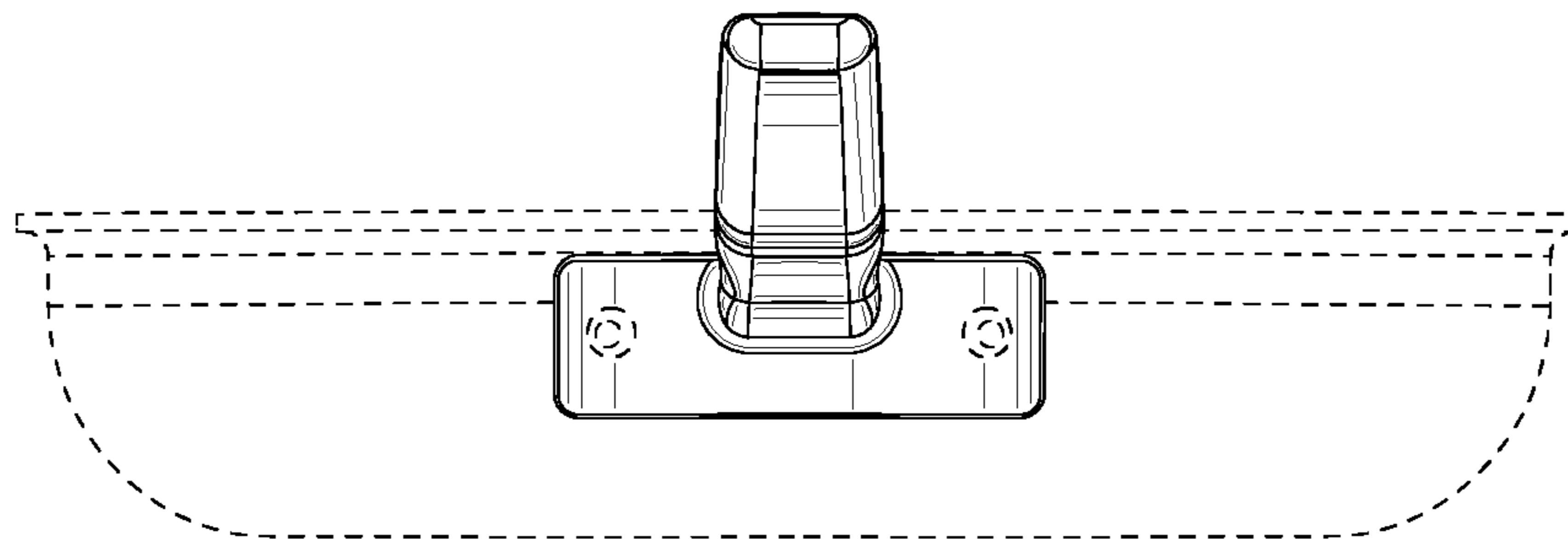


FIG. 7

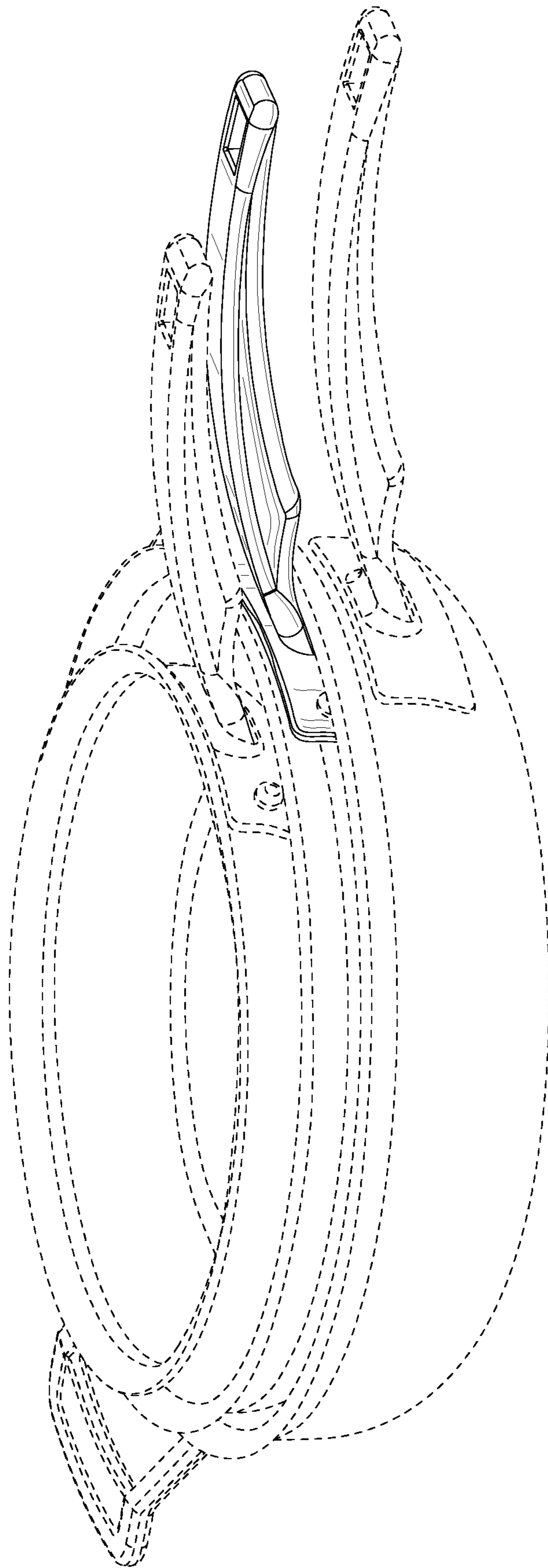


FIG. 8