



US00D919360S

(12) **United States Design Patent** (10) **Patent No.:** **US D919,360 S**  
**Bazzicalupo et al.** (45) **Date of Patent:** **\*\* May 18, 2021**

(54) **LID FOR KITCHEN UTENSILS**

(71) Applicant: **SMEG S.p.A.**, Guastalla (IT)  
 (72) Inventors: **Leopoldo Bazzicalupo**, Sale Marasino (IT); **Raffaella Mangiarotti**, Milan (IT)

(73) Assignee: **SMEG S.P.A.**, Guastalla (IT)

(\*\*) Term: **15 Years**

(21) Appl. No.: **35/508,634**

(22) Filed: **Aug. 6, 2019**

(80) **Hague Agreement Data**

Int. Filing Date: **Aug. 6, 2019**

Int. Reg. No.: **DM/205881**

Int. Reg. Date: **Aug. 6, 2019**

Int. Reg. Pub. Date: **Feb. 14, 2020**

(30) **Foreign Application Priority Data**

Feb. 6, 2019 (EM) ..... 006181509-0011

(51) **LOC (13) Cl.** ..... **07-02**

(52) **U.S. Cl.**  
USPC ..... **D7/391**

(58) **Field of Classification Search**

USPC ..... D7/354-361, 391, 393-395, 401.2, 664,  
D7/107; D8/300, 303, 307, 313, 321;  
D4/138, 129

CPC ..... A47J 45/06; A47J 45/061; A47J 45/62;  
A47J 45/08; A47J 45/085; A47J 45/071;  
A47J 45/072; B65D 25/2802; B65D  
25/2882; B65D 25/2885; B65D 25/2888;  
B65D 25/2894; Y10S 220/912

See application file for complete search history.

(56) **References Cited**

U.S. PATENT DOCUMENTS

874,138	A *	12/1907	Trett .....	A47J 36/08 210/245
3,937,359	A *	2/1976	Stockton, Jr. ....	A47J 36/06 220/369
D571,145	S *	6/2008	Rae .....	D7/391
D579,717	S *	11/2008	Pawson .....	D7/391
D694,089	S *	11/2013	Boland .....	D8/313
D717,102	S *	11/2014	Taketani .....	D7/392.1
D757,486	S *	5/2016	Steiner .....	D7/391
9,629,379	B2 *	4/2017	Lown .....	A23F 3/00
D867,060	S *	11/2019	Bottari .....	D7/396.2
D873,602	S *	1/2020	Varjabedian .....	D7/391
2011/0285158	A1 *	11/2011	Workman .....	A47F 13/08 294/178

\* cited by examiner

*Primary Examiner* — Michael A. Pratt

(74) *Attorney, Agent, or Firm* — The Belles Group, P.C.

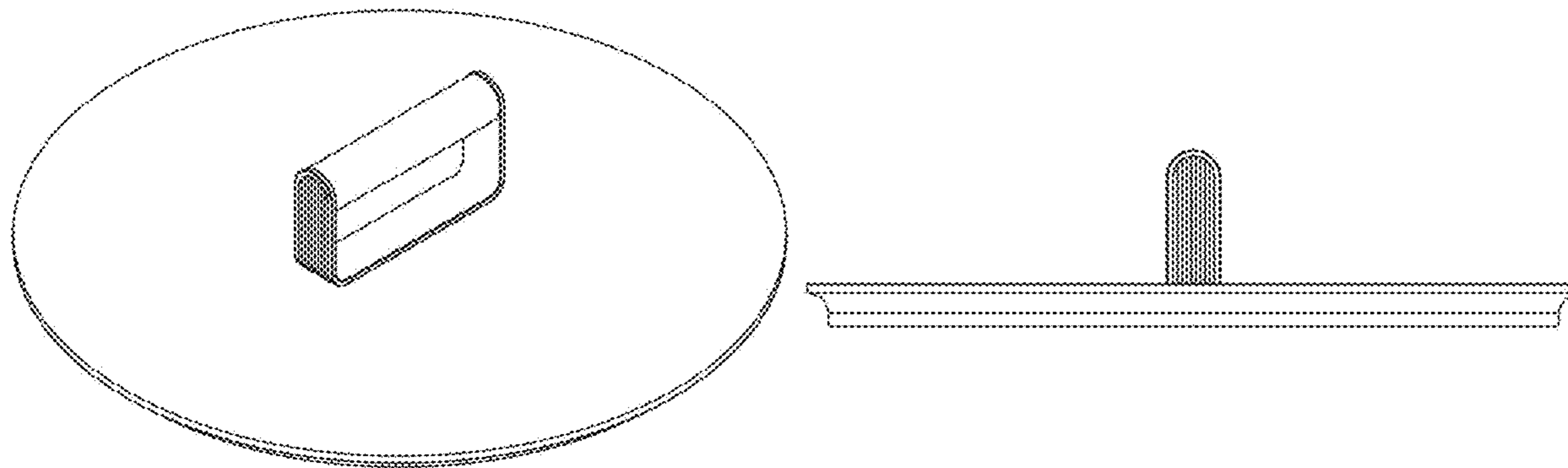
(57) **CLAIM**

The ornamental design for a lid for kitchen utensils, as shown and described.

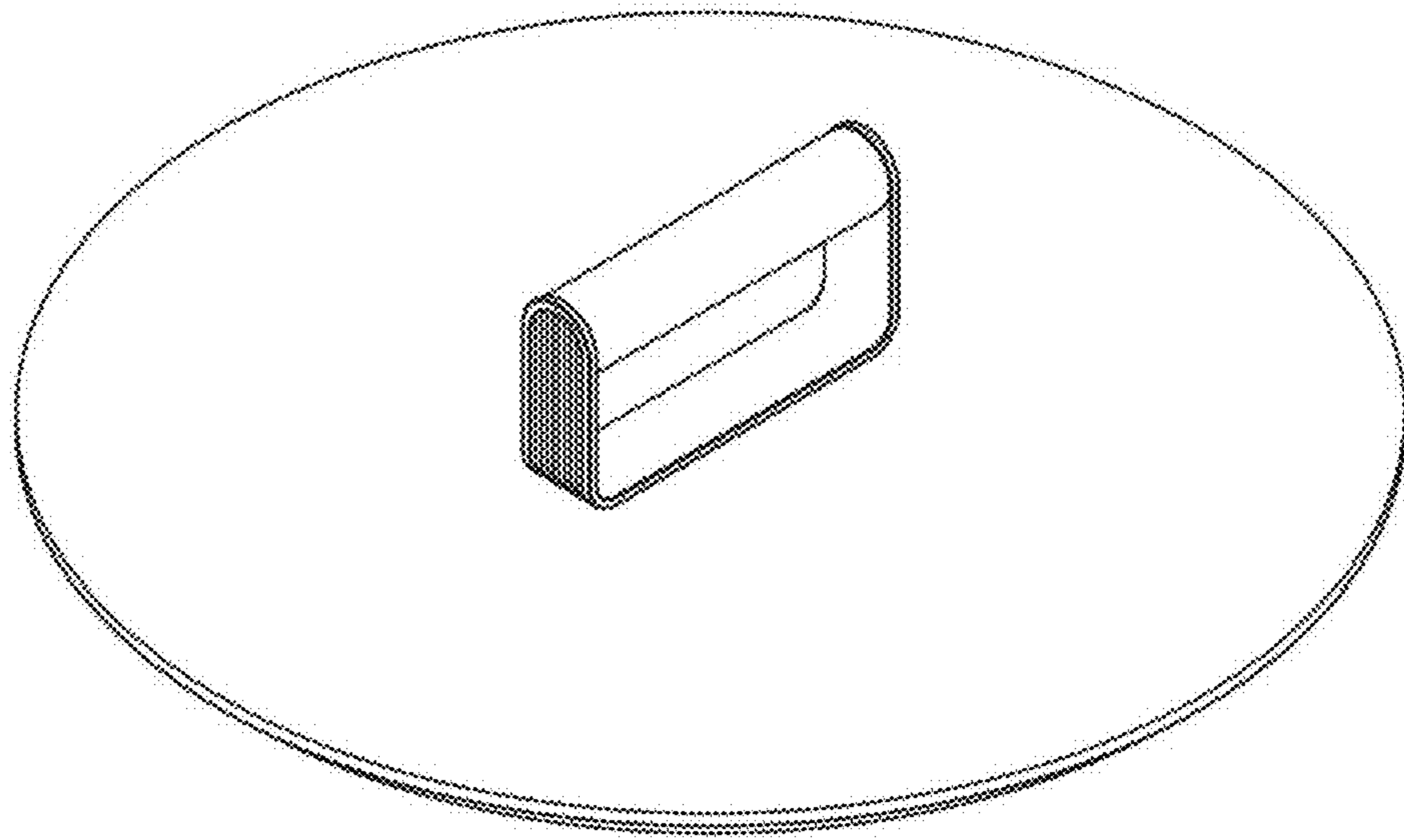
**DESCRIPTION**

- 1. Lid for kitchen utensils
- 1.1 : Front side perspective view
- 1.2 : Left side view
- 1.3 : Right side view
- 1.4 : Front
- 1.5 : Rear view
- 1.6 : Top plan view
- 1.7 : Bottom view

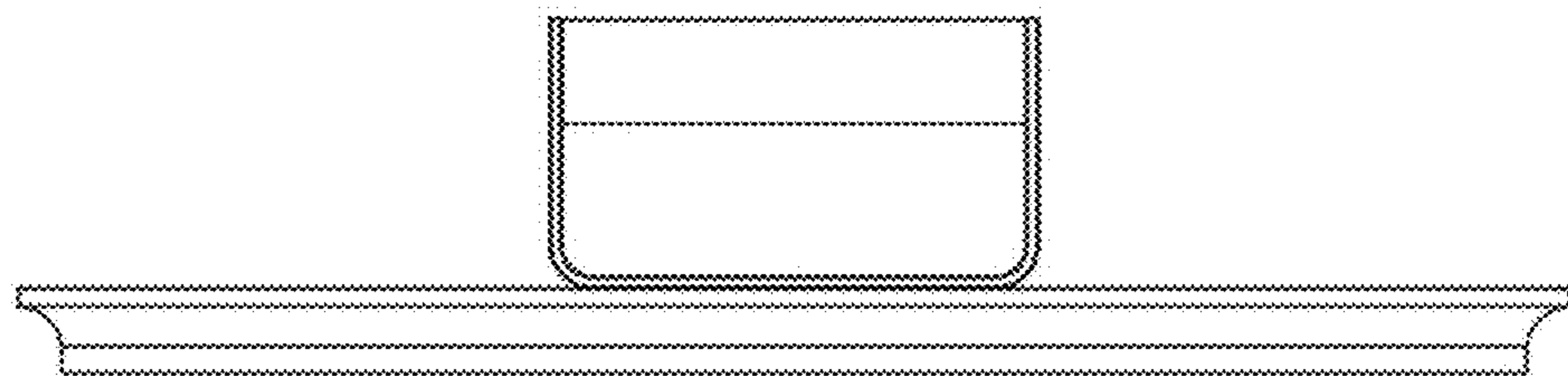
**1 Claim, 7 Drawing Sheets**



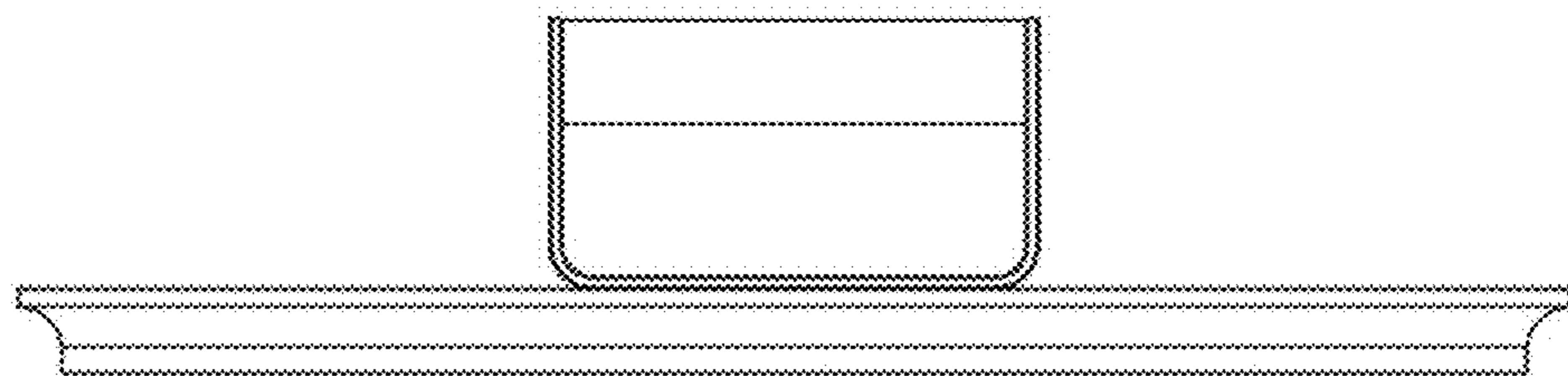
1.1



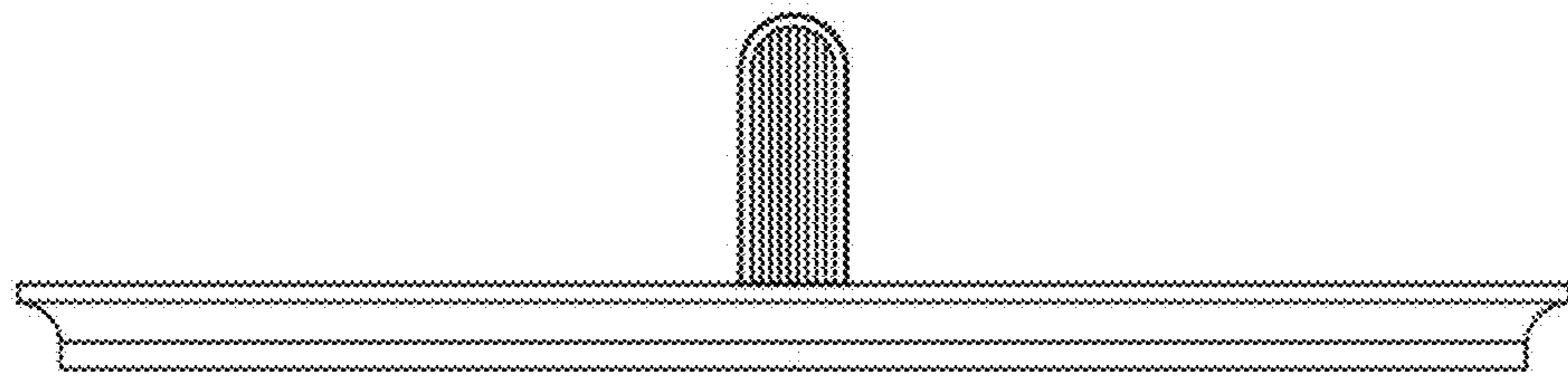
1.2



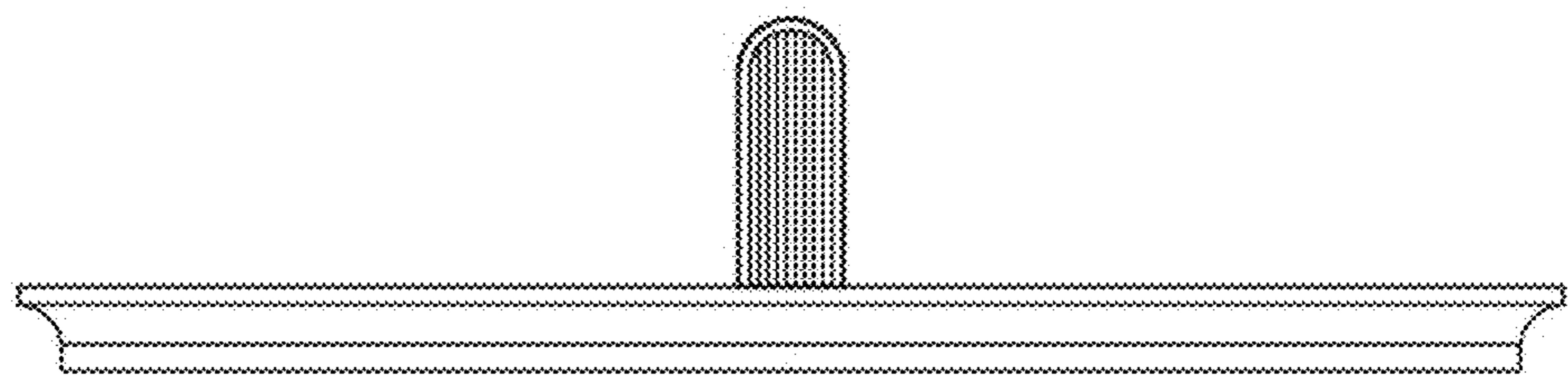
1.3



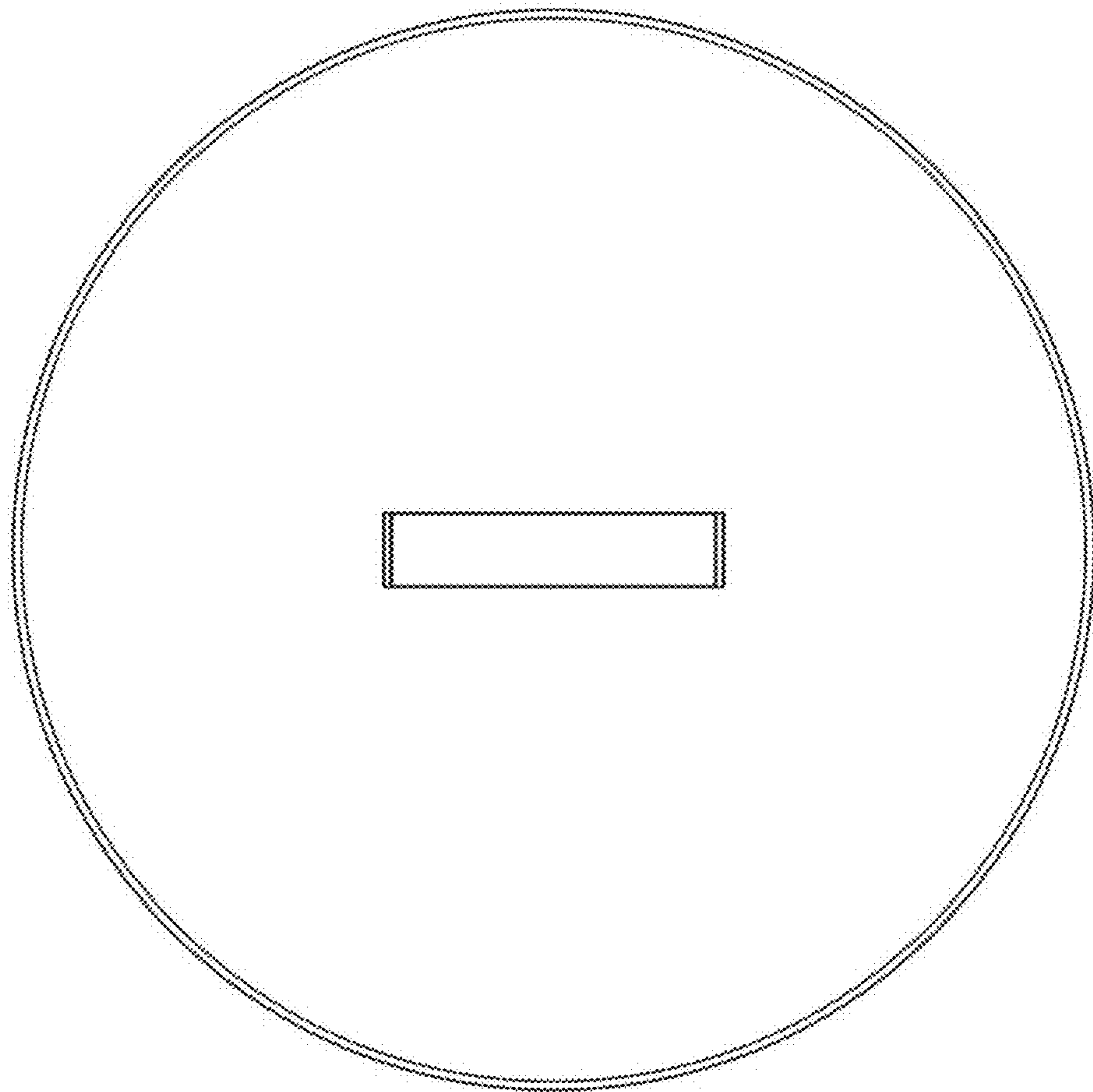
1.4



1.5



1.6



1.7

