



US00D919356S

(12) **United States Design Patent** (10) **Patent No.:** **US D919,356 S**
DeLeo et al. (45) **Date of Patent:** **** May 18, 2021**

(54) **MIXER** D195,425 S * 6/1963 Reed D7/379
3,186,020 A * 6/1965 Redfield A47J 43/07
15/230.19
(71) Applicant: **Sunbeam Products, Inc.**, Boca Raton, FL (US) 3,198,490 A * 8/1965 Jepson A47J 43/044
366/344
(72) Inventors: **Anthony DeLeo**, Portage, MI (US); 3,333,824 A * 8/1967 Jepson A47J 44/00
Charlotte Zale, Portage, MI (US) 366/344
D208,805 S * 10/1967 De Fano D7/379
D255,760 S * 7/1980 Ernest D7/379
(73) Assignee: **Sunbeam Products, Inc.**, Boca Raton, FL (US) D395,572 S * 6/1998 Carroll D7/379
5,782,558 A * 7/1998 Roberts A47J 43/044
366/199
(**) Term: **15 Years** D756,165 S * 5/2016 Lee D7/379
D845,697 S * 4/2019 Gordon D7/379

(21) Appl. No.: **29/720,704**
(22) Filed: **Jan. 15, 2020**
(51) **LOC (13) Cl.** **31-00**
(52) **U.S. Cl.**
USPC **D7/379; D7/376**
(58) **Field of Classification Search**
USPC D7/372, 376-386, 397, 412-413, 602,
D7/629, 665-666, 669, 679, 690,
D7/693-694
CPC A21C 1/02; A21C 1/04; A23N 1/00; A23N
1/02; A47J 43/04; A47J 43/25; A47J
43/27; A47J 43/042; A47J 43/044; A47J
43/046; A47J 43/07; A47J 43/075; A47J
43/0722; A47J 43/0727; A47J 43/082;
A47J 44/00; B01F 3/00; B01F 3/0807;
B01F 3/0853; B01F 13/0059; B01F
13/0064; B02C 1/08; B02C 2/04; B02C
4/42; B02C 4/142; B02C 4/143; B02C
4/423; B02C 13/1835; B28C 5/10; B28C
5/12; B28C 5/14; B28C 5/16
See application file for complete search history.

(56) **References Cited**
U.S. PATENT DOCUMENTS
D174,117 S * 3/1955 Ernest D7/379
D182,424 S * 4/1958 Madl D7/379

OTHER PUBLICATIONS

DmofwHi 9-Speed Hand Mixer Electric. Date First Available on Amazon.com Dec. 16, 2019. <https://www.amazon.com/dp/B082V24PLV/ref> (Year: 2019).*

* cited by examiner

Primary Examiner — Ricky Pham
(74) *Attorney, Agent, or Firm* — Husch Blackwell LLP

(57) **CLAIM**

We claim the ornamental design for a mixer, as shown and described.

DESCRIPTION

FIG. 1 is a perspective view of a mixer;
FIG. 2 is a left side elevation view of the mixer;
FIG. 3 is a rear elevation view of the mixer;
FIG. 4 is a right side elevation view of the mixer;
FIG. 5 is a front elevation view of the mixer;
FIG. 6 is a top plan view of the mixer; and,
FIG. 7 is a bottom plan view of the mixer.
Broken lines shown in the drawing views are included for illustrative purposes only, and form no part of the claimed design.

1 Claim, 6 Drawing Sheets

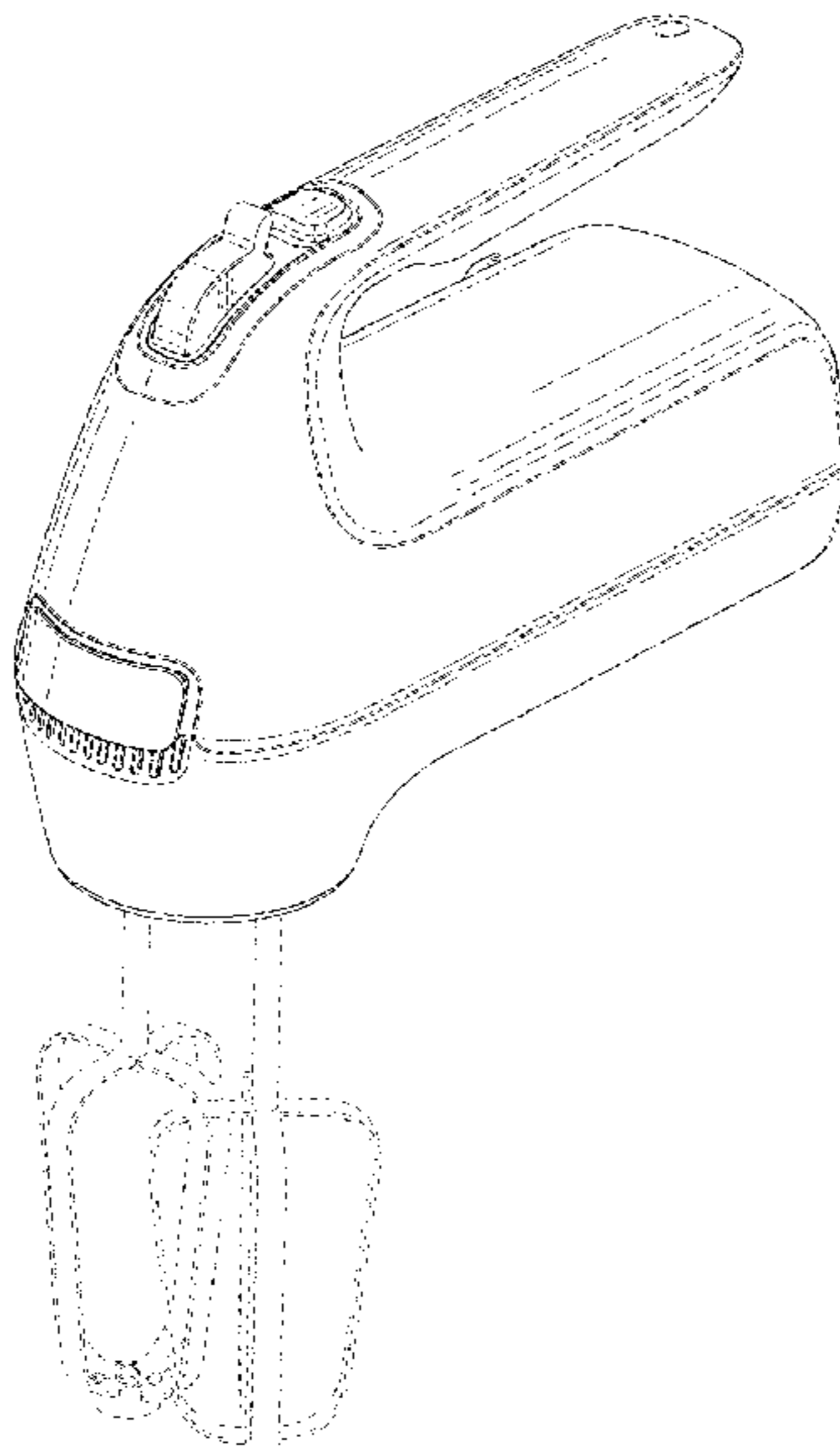


FIG. 1

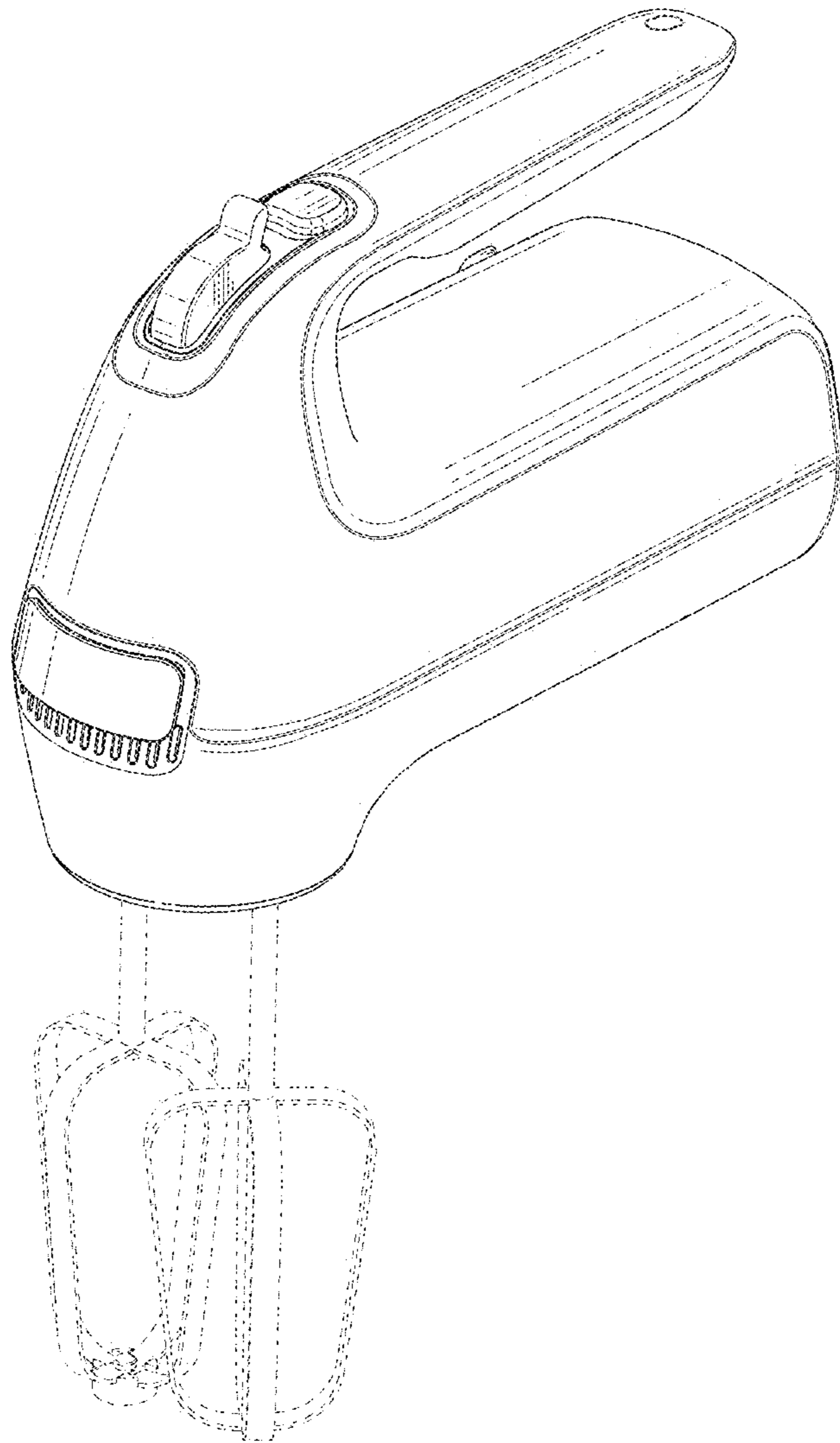


FIG. 2

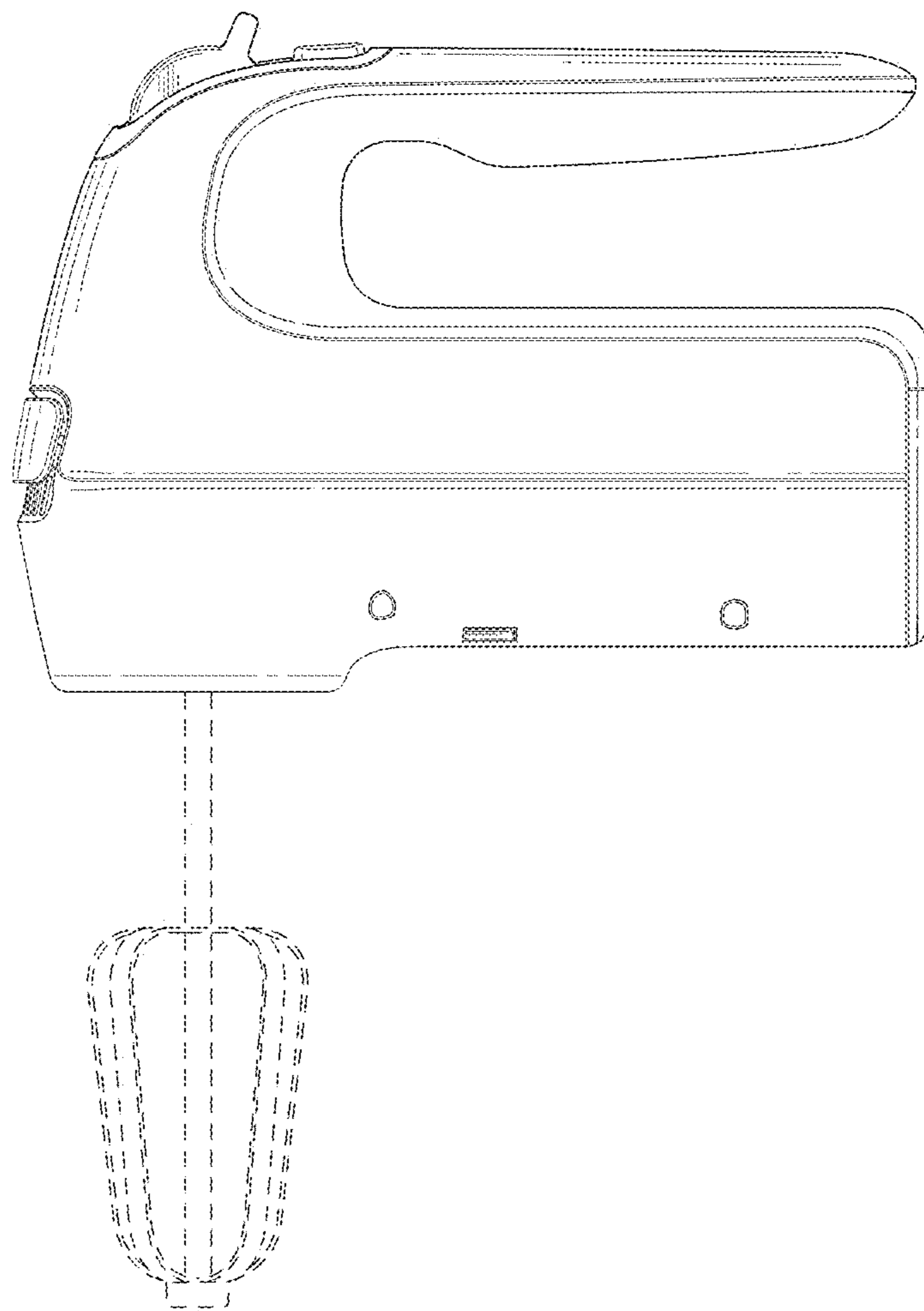


FIG. 3

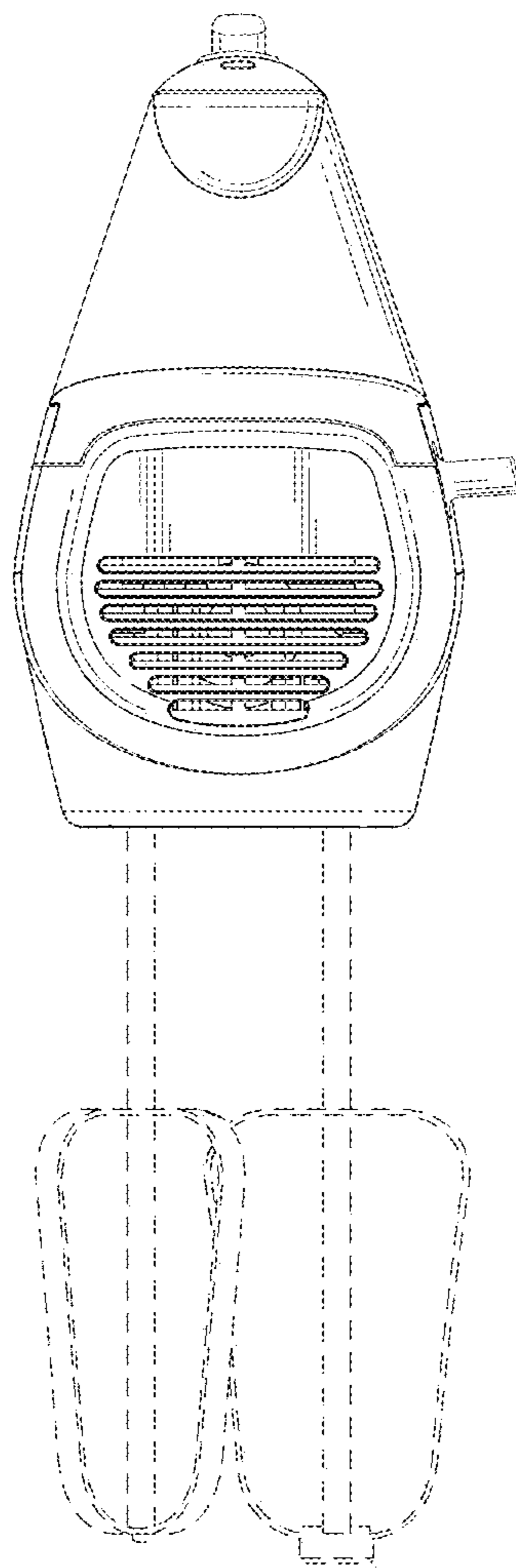


FIG. 4

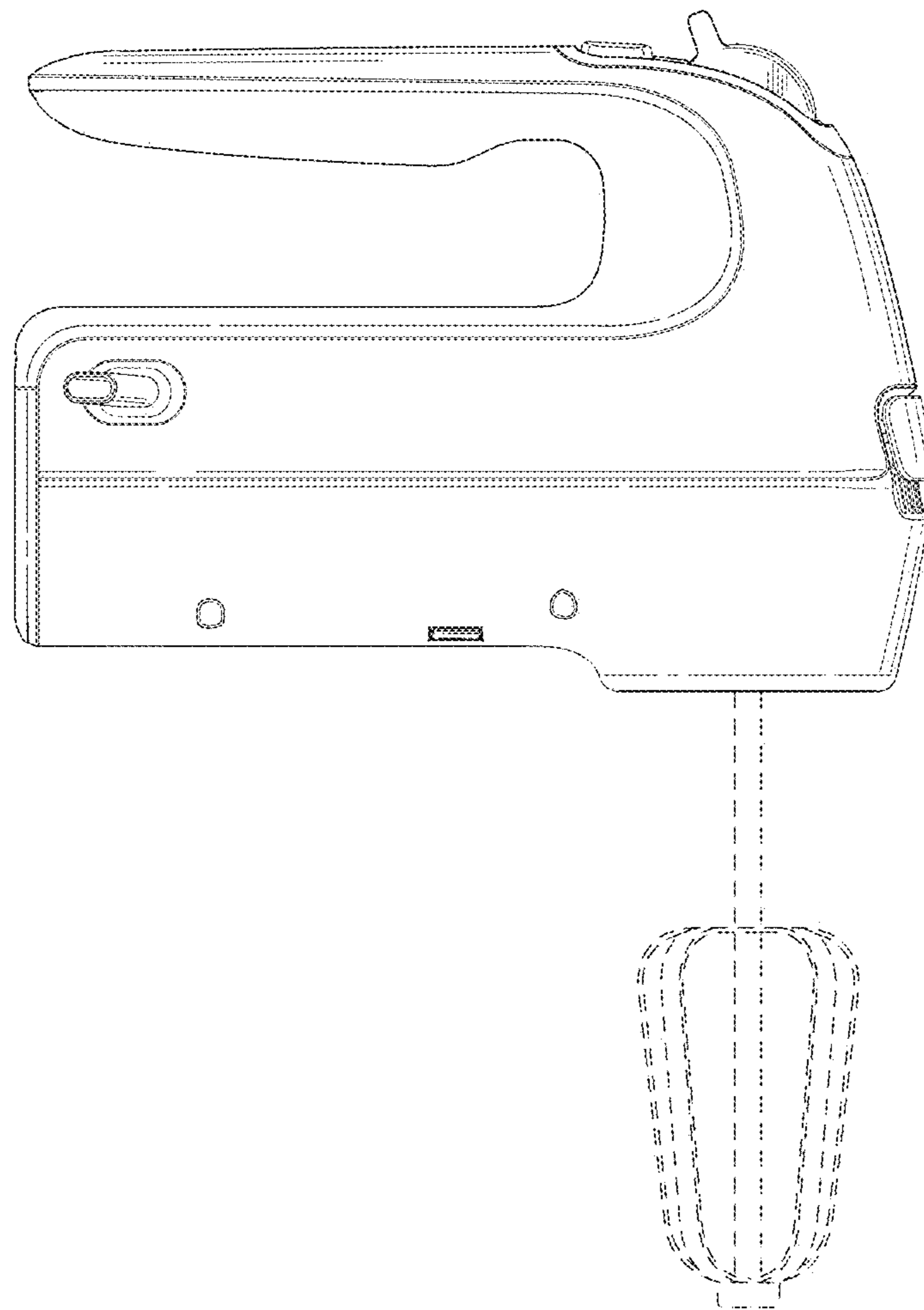


FIG. 5

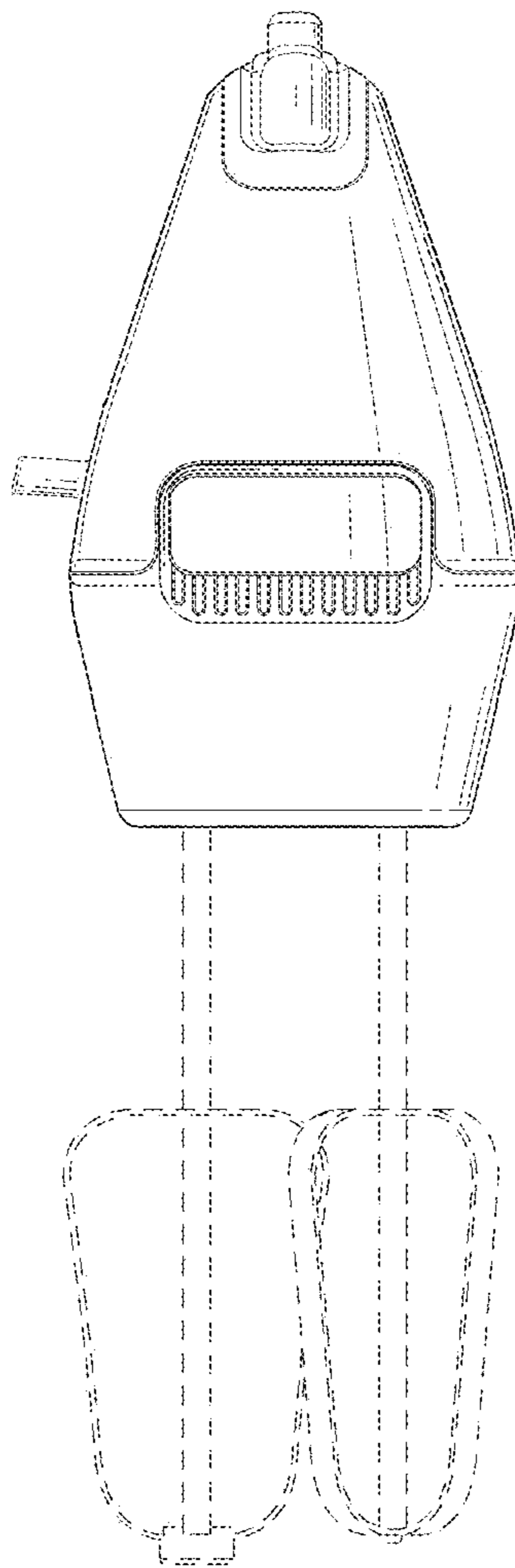


FIG. 6

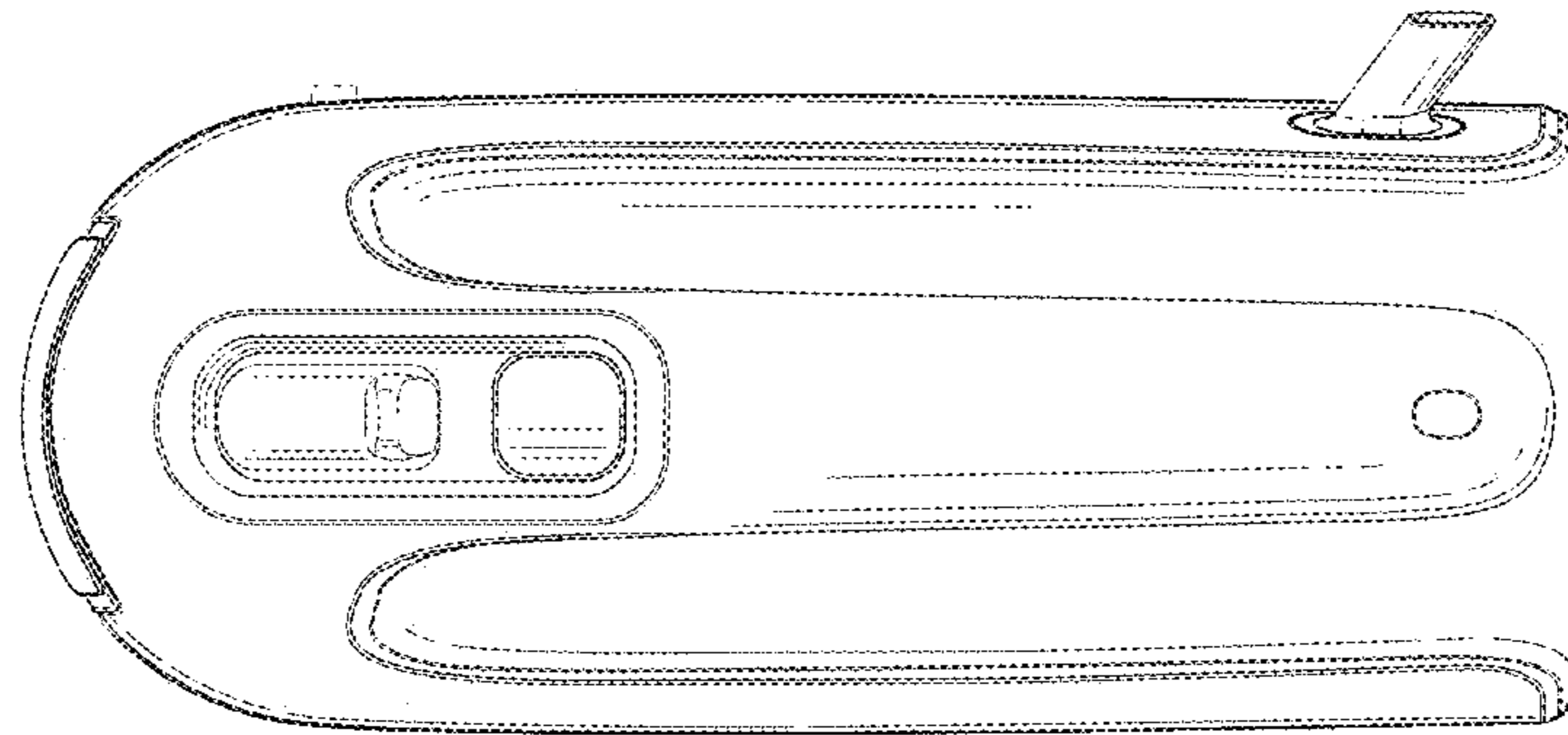


FIG. 7

