



US00D919355S

(12) **United States Design Patent** (10) **Patent No.:** **US D919,355 S**
Seo et al. (45) **Date of Patent:** **** May 18, 2021**

(54) **BLENDER**

(56) **References Cited**

(71) Applicant: **LG ELECTRONICS INC.**, Seoul (KR)

U.S. PATENT DOCUMENTS

(72) Inventors: **Woonkyu Seo**, Seoul (KR); **Miyoung Kim**, Seoul (KR); **Hyun Choi**, Seoul (KR); **Hyeonjeong An**, Seoul (KR)

D560,093 S *	1/2008	Verdun	D7/384
D738,669 S *	9/2015	Brook	D7/318
D769,061 S *	10/2016	Diderotto	D7/378
D856,734 S *	8/2019	Lee	D7/318
D859,063 S *	9/2019	Lee	D7/378
D859,064 S *	9/2019	Lee	D7/386
D859,076 S *	9/2019	Lee	D7/413
D867,054 S *	11/2019	Lee	D7/386
D874,863 S *	2/2020	Ghalambor Dezfuli	D7/319
D876,869 S *	3/2020	Ha	D7/317
D877,652 S *	3/2020	Hung	D11/152
D880,926 S *	4/2020	Thun	D7/317
D900,530 S *	11/2020	Kim	D7/373

(73) Assignee: **LG ELECTRONICS INC.**, Seoul (KR)

(**) Term: **15 Years**

* cited by examiner

(21) Appl. No.: **29/726,003**

Primary Examiner — Ricky Pham

(22) Filed: **Feb. 28, 2020**

(74) *Attorney, Agent, or Firm* — Birch, Stewart, Kolasch & Birch LLP

(30) **Foreign Application Priority Data**

Feb. 24, 2020 (KR) 30-2020-0008094

(51) **LOC (13) Cl.** **31-00**

(57) **CLAIM**

(52) **U.S. Cl.**
USPC **D7/378**; D7/376; D7/386; D7/413

The ornamental design for a blender, as shown and described.

(58) **Field of Classification Search**
USPC D7/317–319, 355, 372–373, 376–386, D7/412–413, 602, 629, 665–666, 669, D7/679, 693–694; D11/152

DESCRIPTION

CPC A21C 1/02; A21C 1/04; A23N 1/00; A23N 1/02; A47J 27/21166; A47J 43/04; A47J 43/25; A47J 43/27; A47J 43/042; A47J 43/044; A47J 43/046; A47J 43/075; A47J 43/0722; A47J 43/0727; B01F 3/00; B01F 3/0807; B01F 3/0853; B01F 13/0059; B01F 13/0064; B02C 1/08; B02C 2/04; B02C 4/42; B02C 4/142; B02C 4/143; B02C 4/423; B02C 13/1835; B28C 5/10; B28C 5/12; B28C 5/14; B28C 5/16

FIG. 1 is a front, right side, perspective view of a blender showing our new design;
FIG. 2 is a front view thereof;
FIG. 3 is a rear view thereof;
FIG. 4 is a left side view thereof;
FIG. 5 is a right side view thereof;
FIG. 6 is a top view thereof;
FIG. 7 is a bottom view thereof; and,
FIG. 8 is a reference view.
The broken lines indicate portions of the article that form no part of the claimed design.

See application file for complete search history.

1 Claim, 7 Drawing Sheets

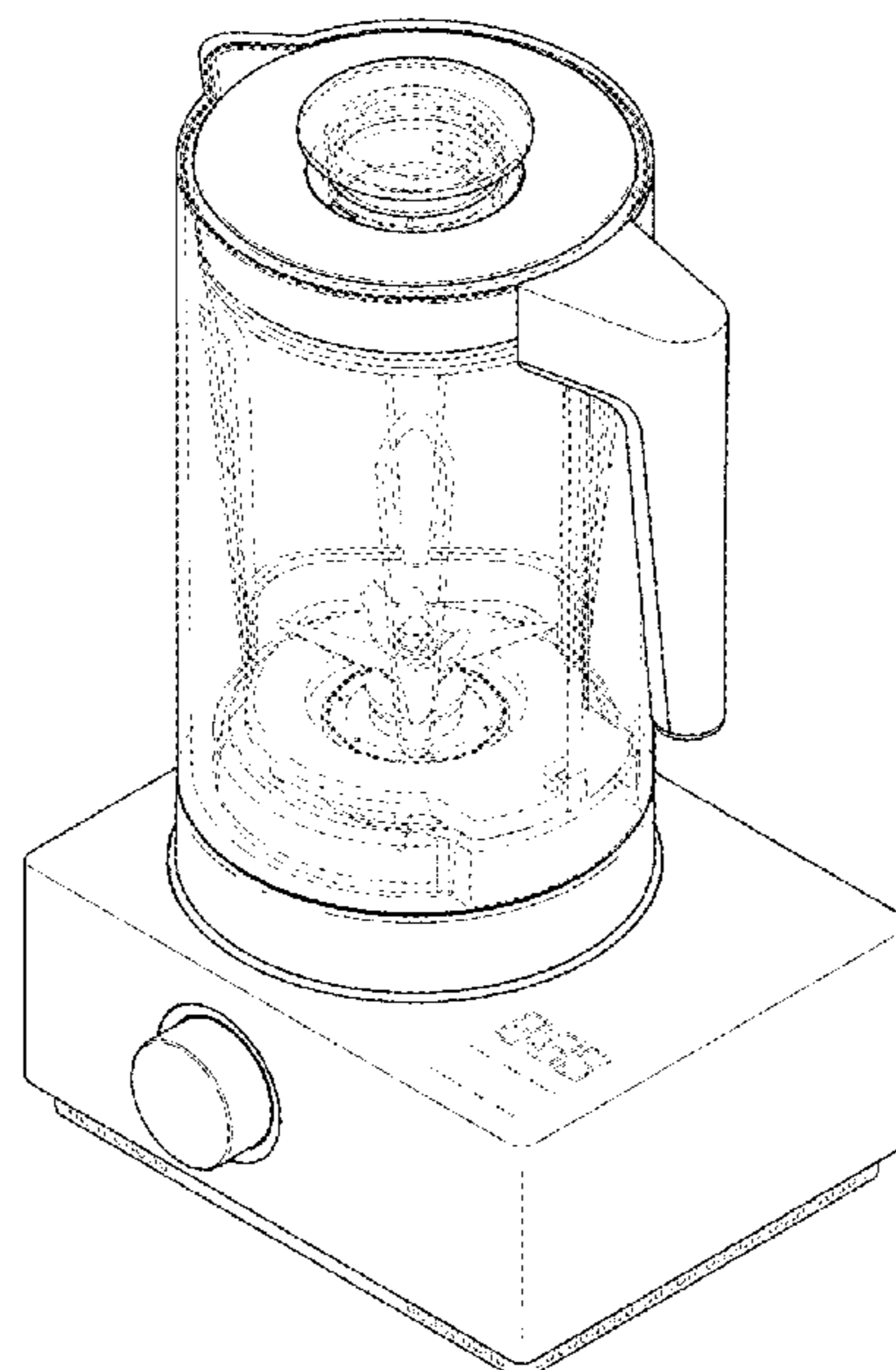


FIG. 1

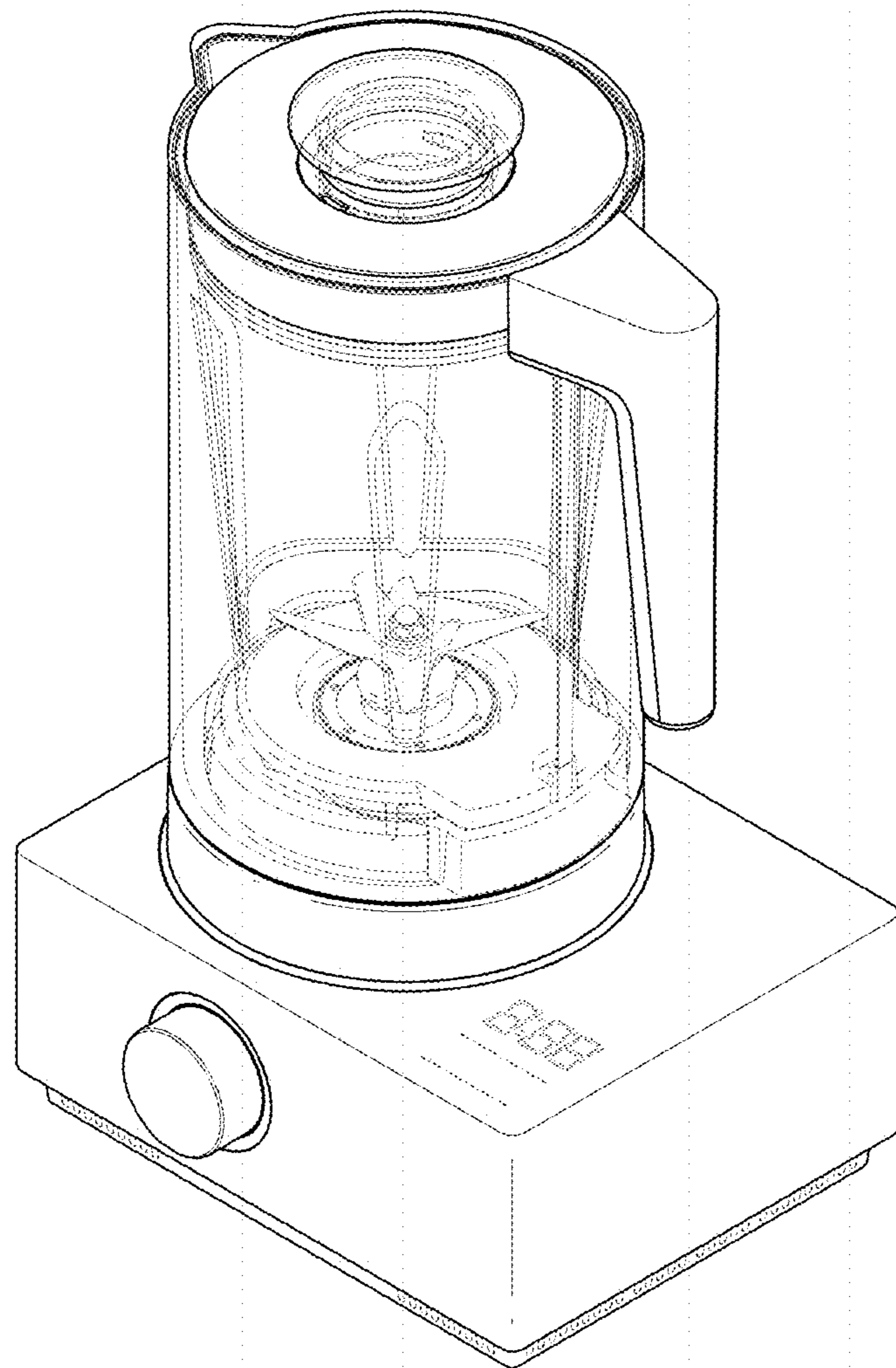


FIG. 2

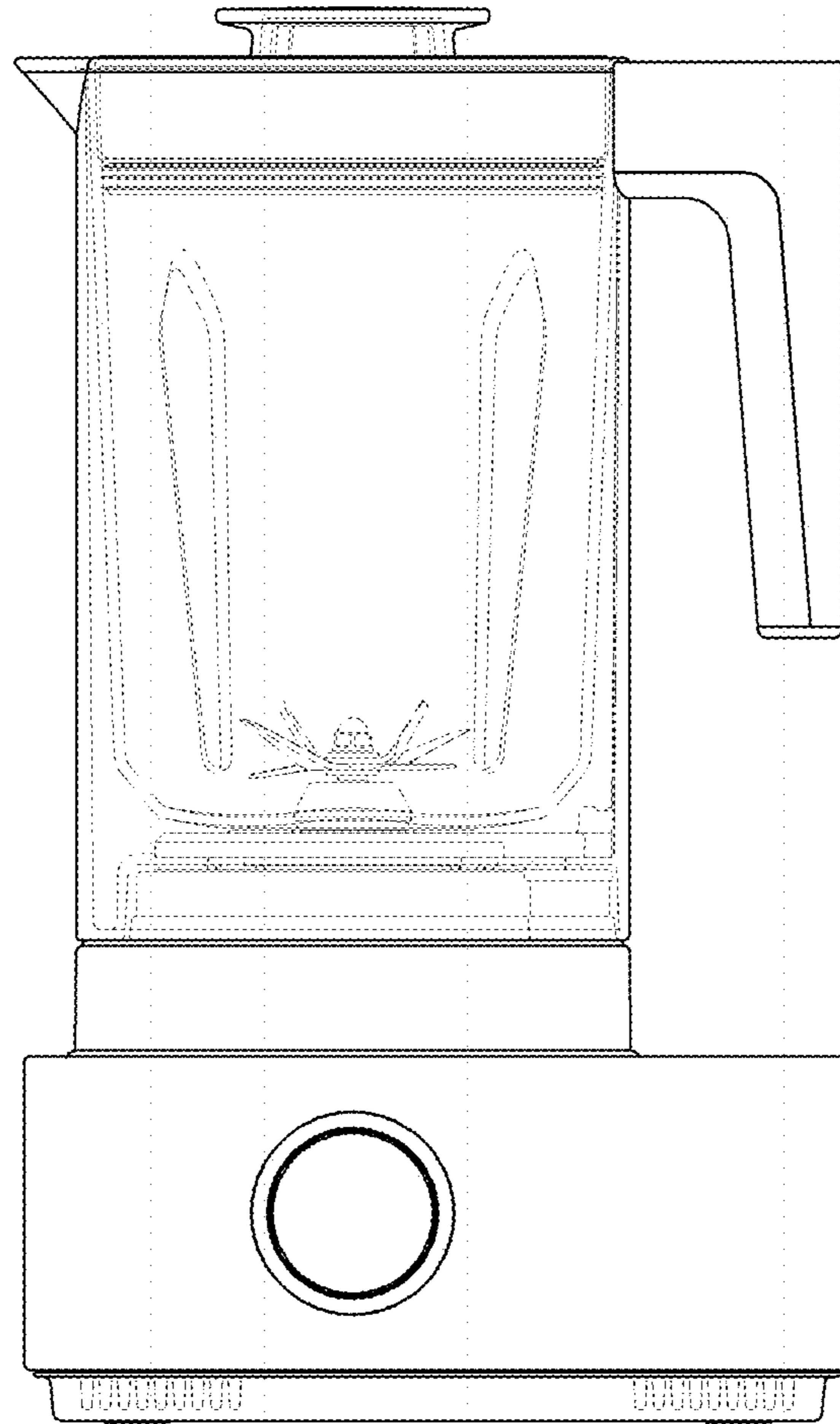


FIG. 3

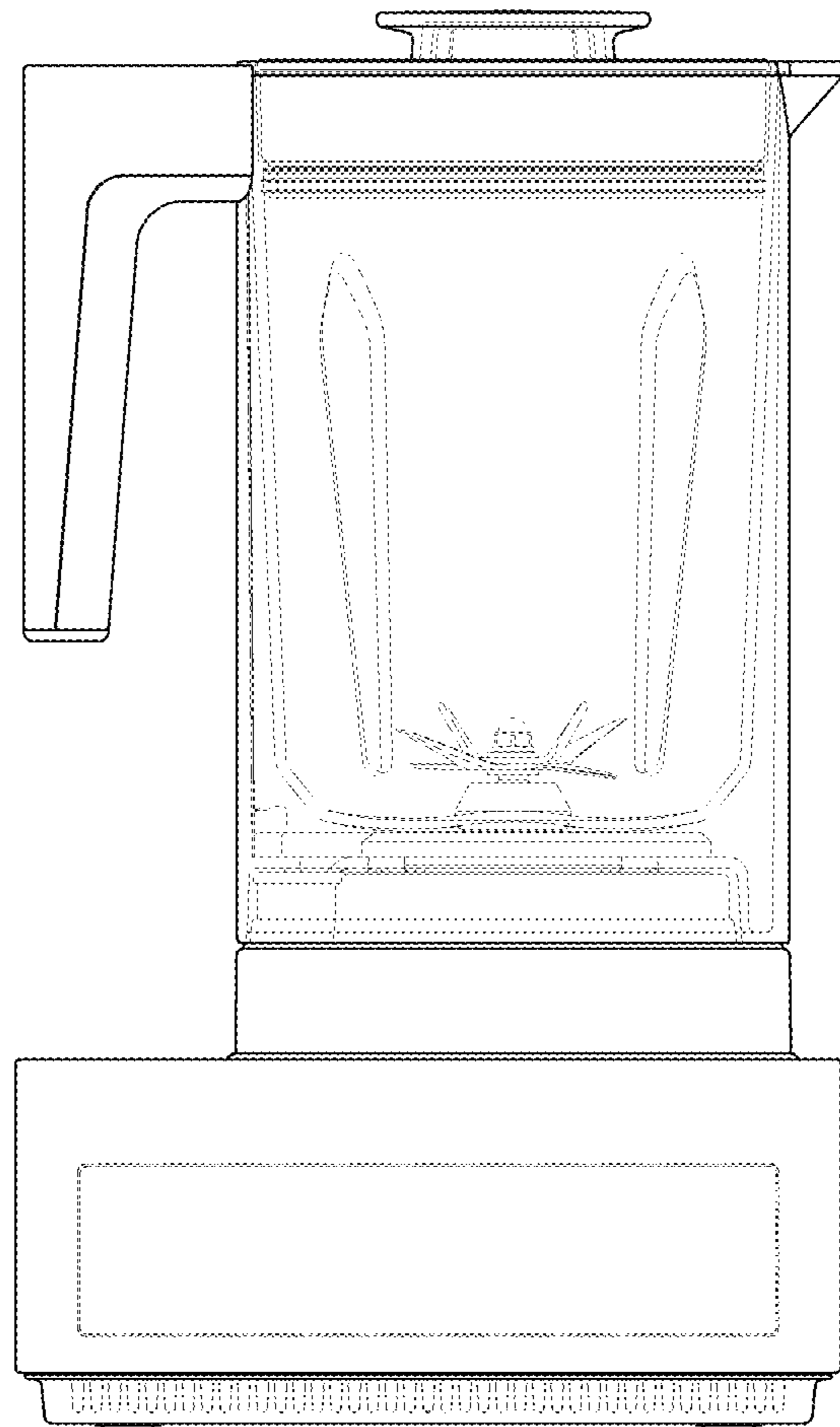


FIG. 4

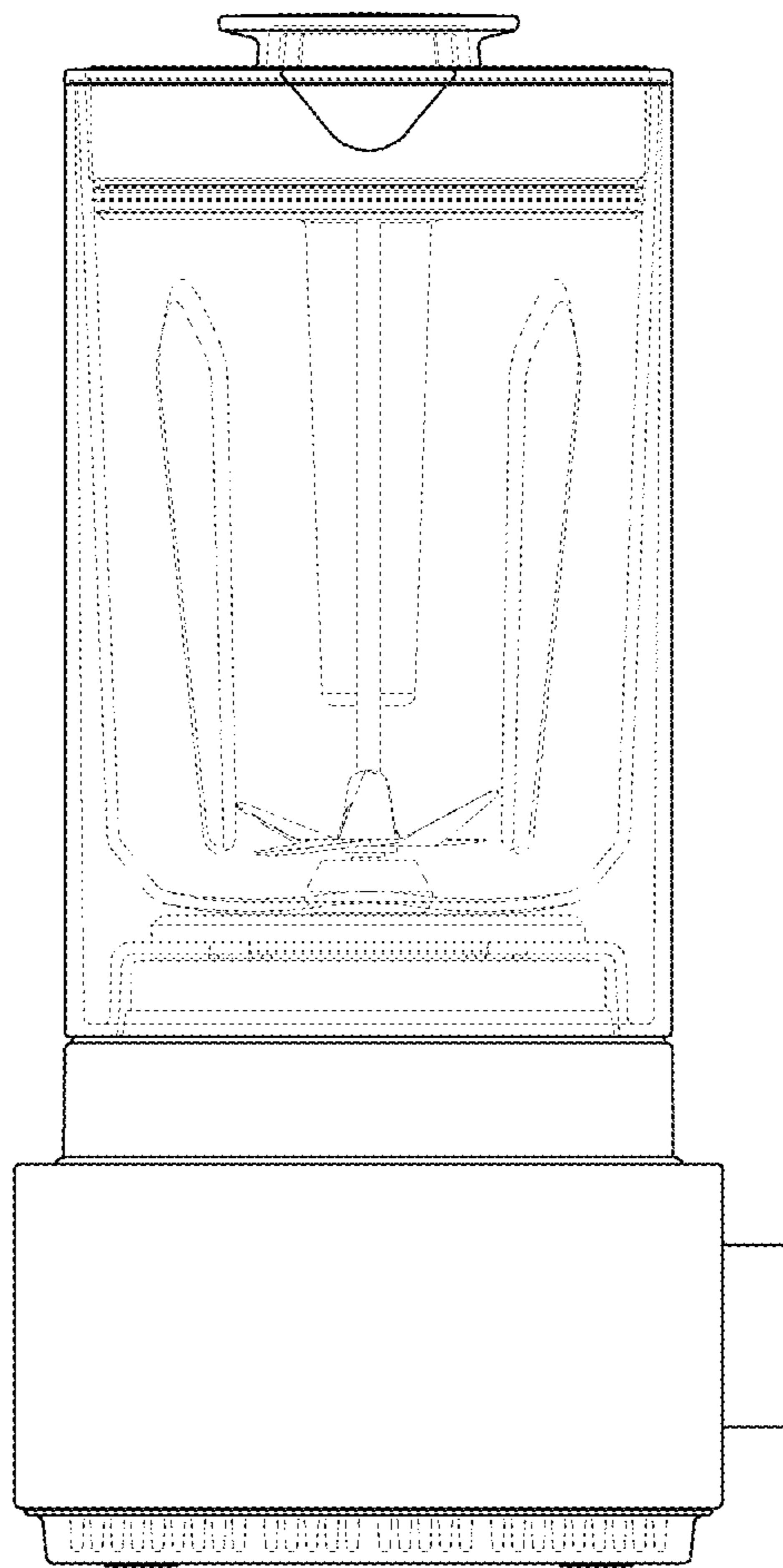


FIG. 5

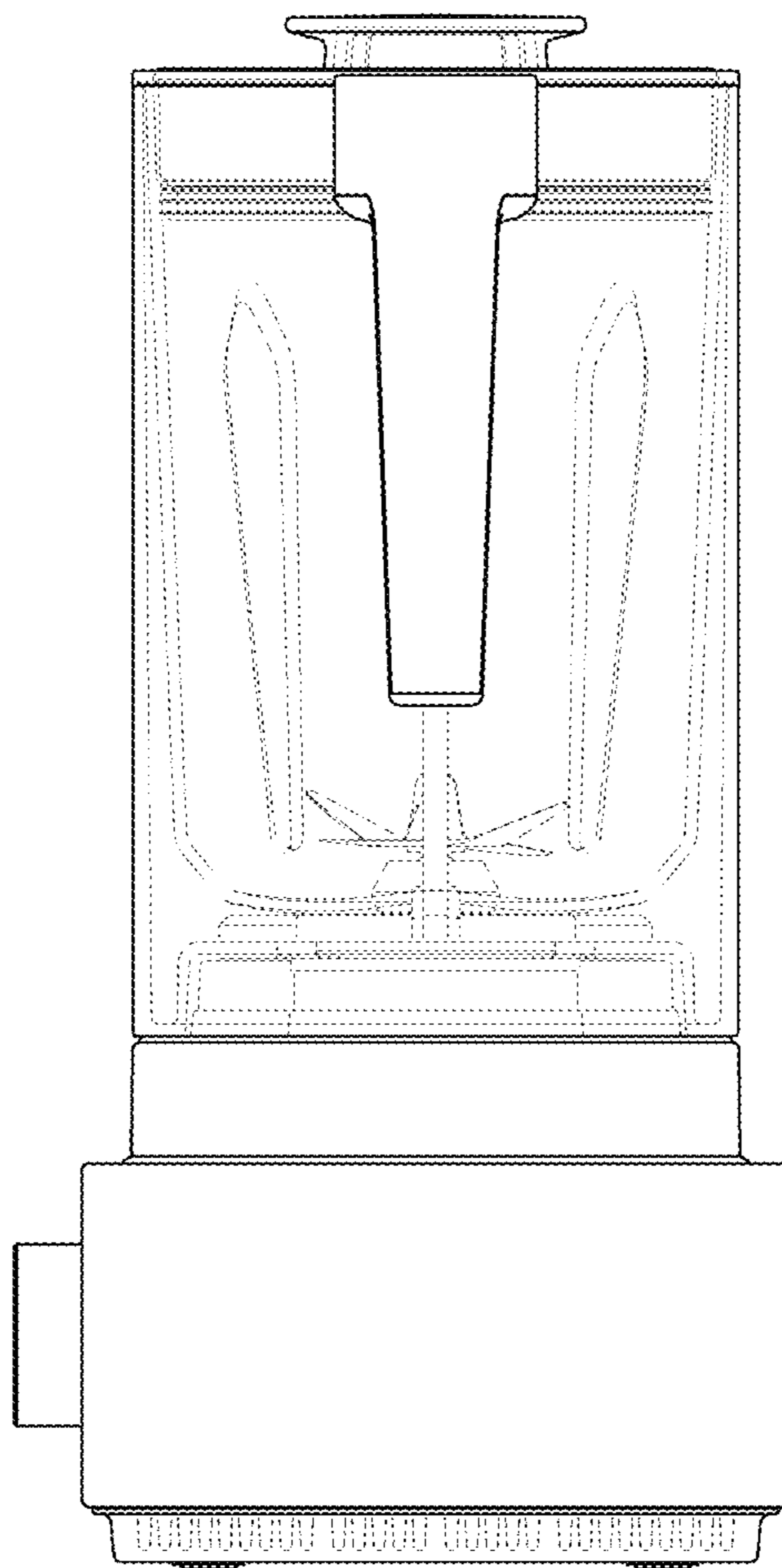


FIG. 6

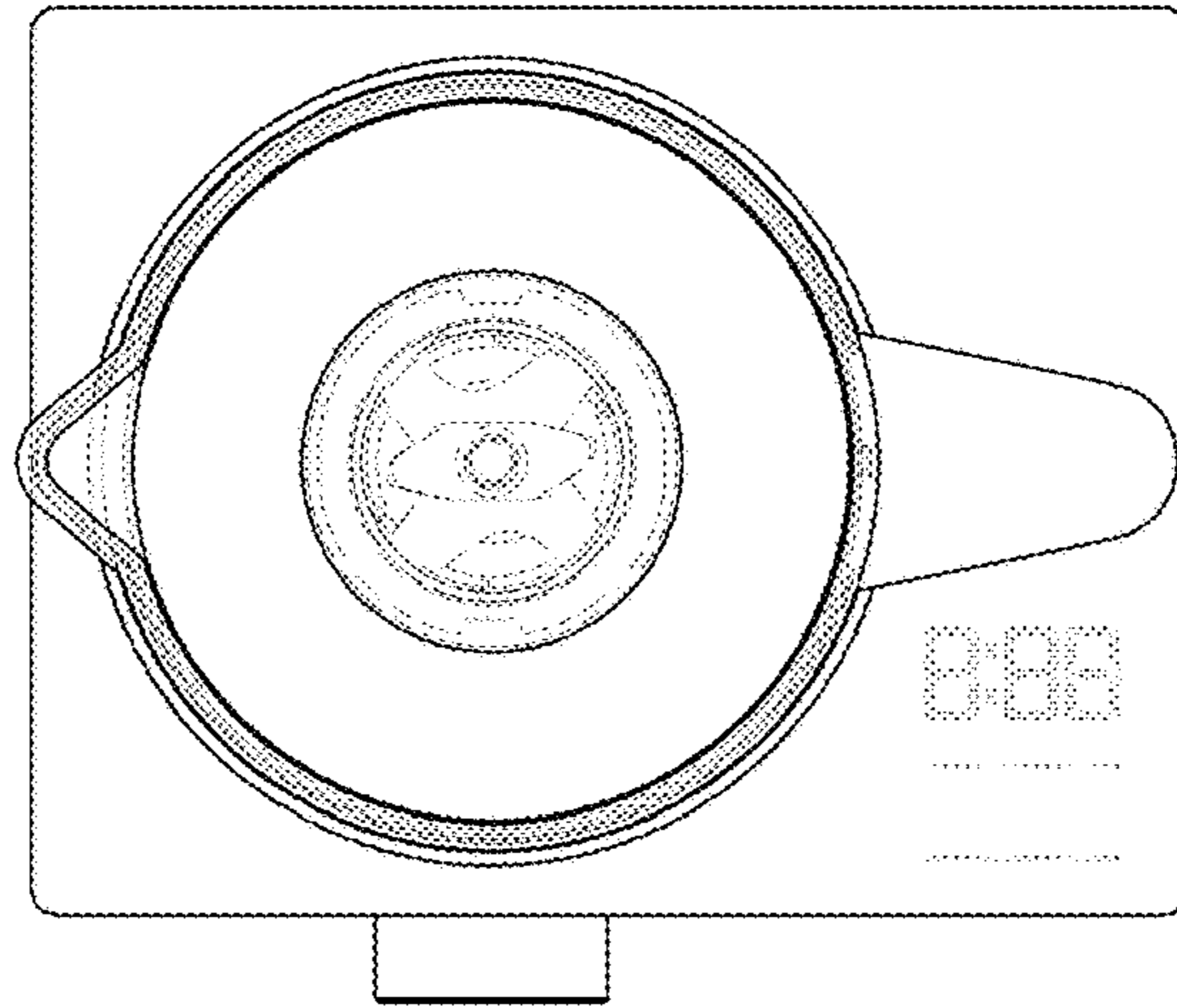


FIG. 7

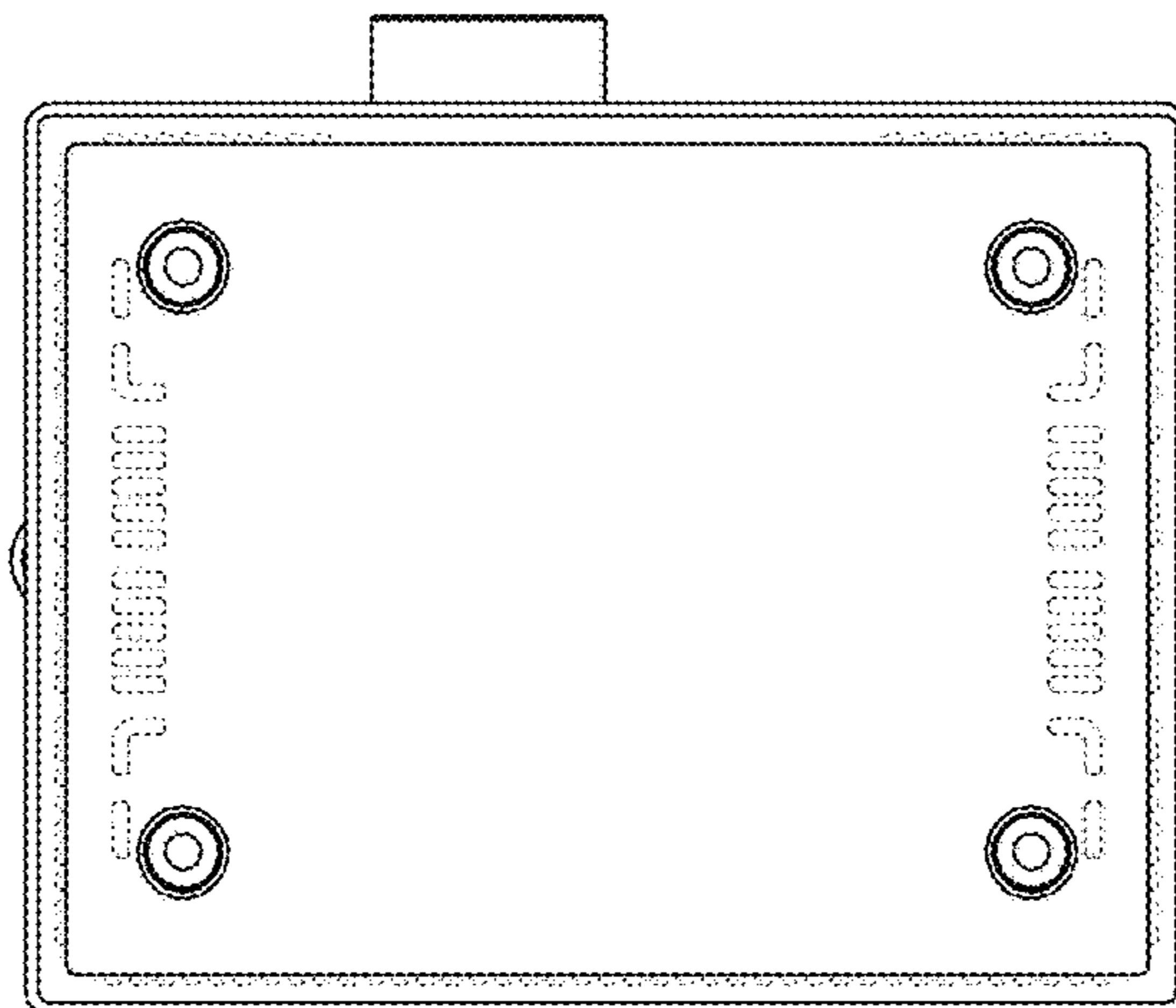


FIG. 8

