



US00D919354S

(12) **United States Design Patent**  
**You et al.**

(10) **Patent No.:** **US D919,354 S**

(45) **Date of Patent:** **\*\* May 18, 2021**

(54) **ELECTRIC COFFEE GRINDER**

(56) **References Cited**

(71) Applicant: **LG ELECTRONICS INC.**, Seoul (KR)

U.S. PATENT DOCUMENTS

(72) Inventors: **Hyunhee You**, Seoul (KR); **Sungkyung Kim**, Seoul (KR); **Joo-Gyeom Kim**, Seoul (KR); **Kyoungmin Baek**, Seoul (KR); **Woonkyu Seo**, Seoul (KR); **Hyunsun Yoo**, Seoul (KR); **Yousook Eun**, Seoul (KR); **Hyejin Choi**, Seoul (KR)

D287,327	S	*	12/1986	Cavalli	.....	D7/384
D745,307	S	*	12/2015	Kestenbaum	.....	D7/309
D847,557	S	*	5/2019	Kraemer	.....	D7/373
D853,174	S	*	7/2019	Zernhelt	.....	D7/373
D859,063	S	*	9/2019	Lee	.....	D7/378
D859,064	S	*	9/2019	Lee	.....	D7/386
D867,053	S	*	11/2019	Lee	.....	D7/386
D867,054	S	*	11/2019	Lee	.....	D7/386
D876,869	S	*	3/2020	Ha	.....	D7/317
D887,200	S	*	6/2020	Fung	.....	D7/386
2004/0107843	A1	*	6/2004	Oldani	.....	A47J 31/4489 99/452
2007/0209528	A1	*	9/2007	Chang	.....	A47J 19/027 99/511

(73) Assignee: **LG Electronics Inc.**, Seoul (KR)

(\*\*) Term: **15 Years**

(Continued)

(21) Appl. No.: **29/678,122**

FOREIGN PATENT DOCUMENTS

(22) Filed: **Jan. 25, 2019**

CN 201930050868.6 \* 1/2019

(51) **LOC (13) Cl.** ..... **31-00**

*Primary Examiner* — Dana K Weiland  
*Assistant Examiner* — Messina L Smith

(52) **U.S. Cl.**  
USPC ..... **D7/373**

(74) *Attorney, Agent, or Firm* — Birch, Stewart, Kolasch & Birch, LLP

(58) **Field of Classification Search**  
USPC ..... D7/306, 309, 372, 374, 376, 377, 378, D7/379, 380, 381, 383, 384, 385, 386, D7/412, 413, 598, 694, 669, 679  
CPC .. A47J 43/04; A47J 43/25; A47J 43/27; A47J 43/042; A47J 43/044; A47J 43/046; A47J 43/075; A47J 43/0722; A47J 43/0727; A47J 42/40; A21C 1/02; A21C 1/04; A23G 9/045; A23N 1/00; A23N 1/02; B01F 3/00; B01F 3/0807; B01F 3/0853; B01F 13/0059; B01F 13/0064; B02C 1/08; B02C 2/04; B02C 4/42; B02C 4/142; B02C 4/143; B02C 4/423; B02C 13/1835; B28C 5/10; B28C 5/12; B28C 5/14; B28C 5/16

(57) **CLAIM**

The ornamental design for an electric coffee grinder, as shown and described.

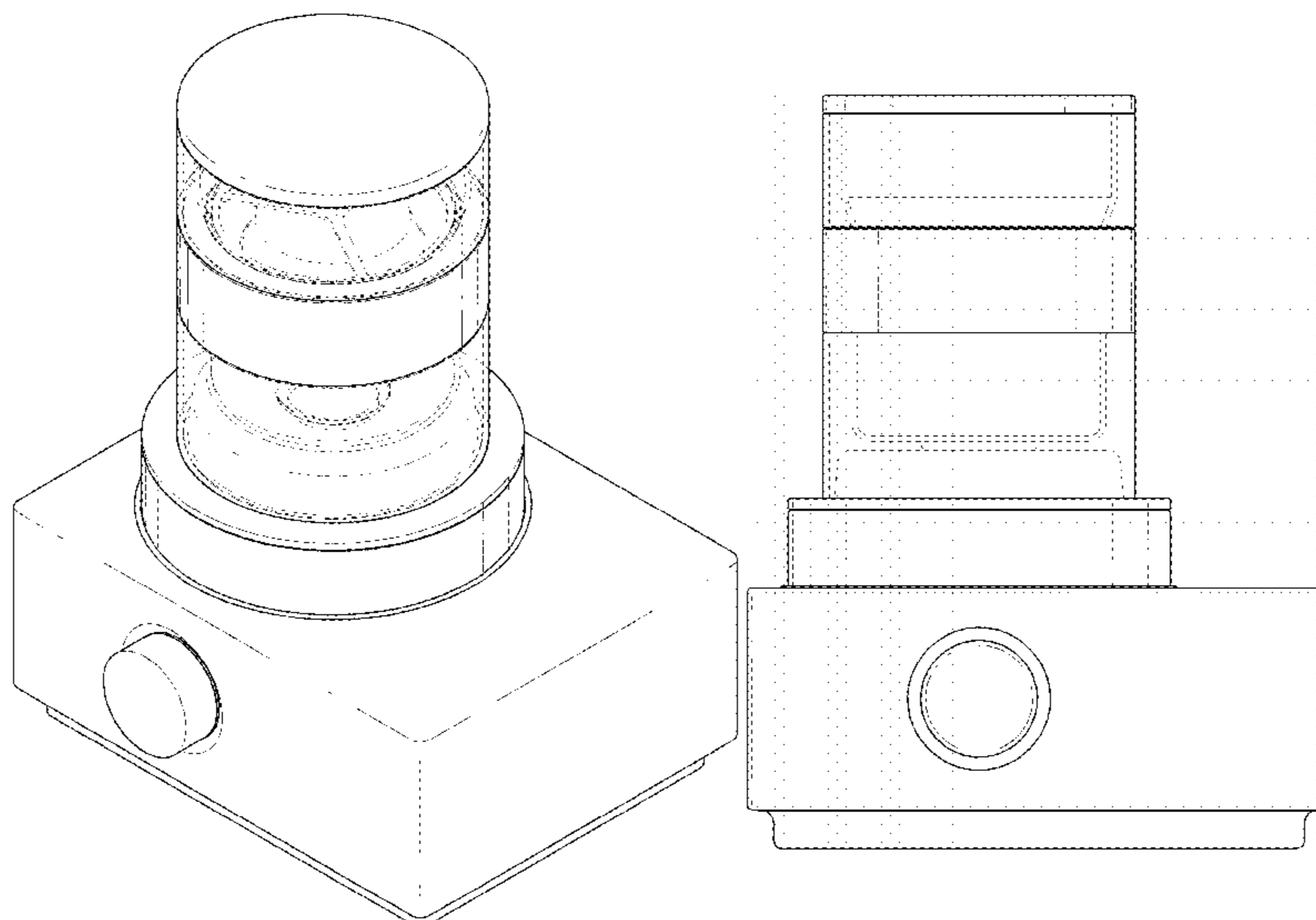
**DESCRIPTION**

FIG. 1 is a front, right side, perspective view of an electric coffee grinder showing our new design;  
FIG. 2 is a front view thereof;  
FIG. 3 is a rear view thereof;  
FIG. 4 is a left side view thereof;  
FIG. 5 is a right side view thereof;  
FIG. 6 is a top view thereof; and,  
FIG. 7 is a bottom view thereof.

The broken lines shown in FIG. 1 depict portions of the electric coffee grinder that form no part of the claimed design.

See application file for complete search history.

**1 Claim, 7 Drawing Sheets**



(56)

**References Cited**

U.S. PATENT DOCUMENTS

2009/0032627 A1\* 2/2009 Krasznai ..... A47J 42/26  
241/36

\* cited by examiner

FIG. 1

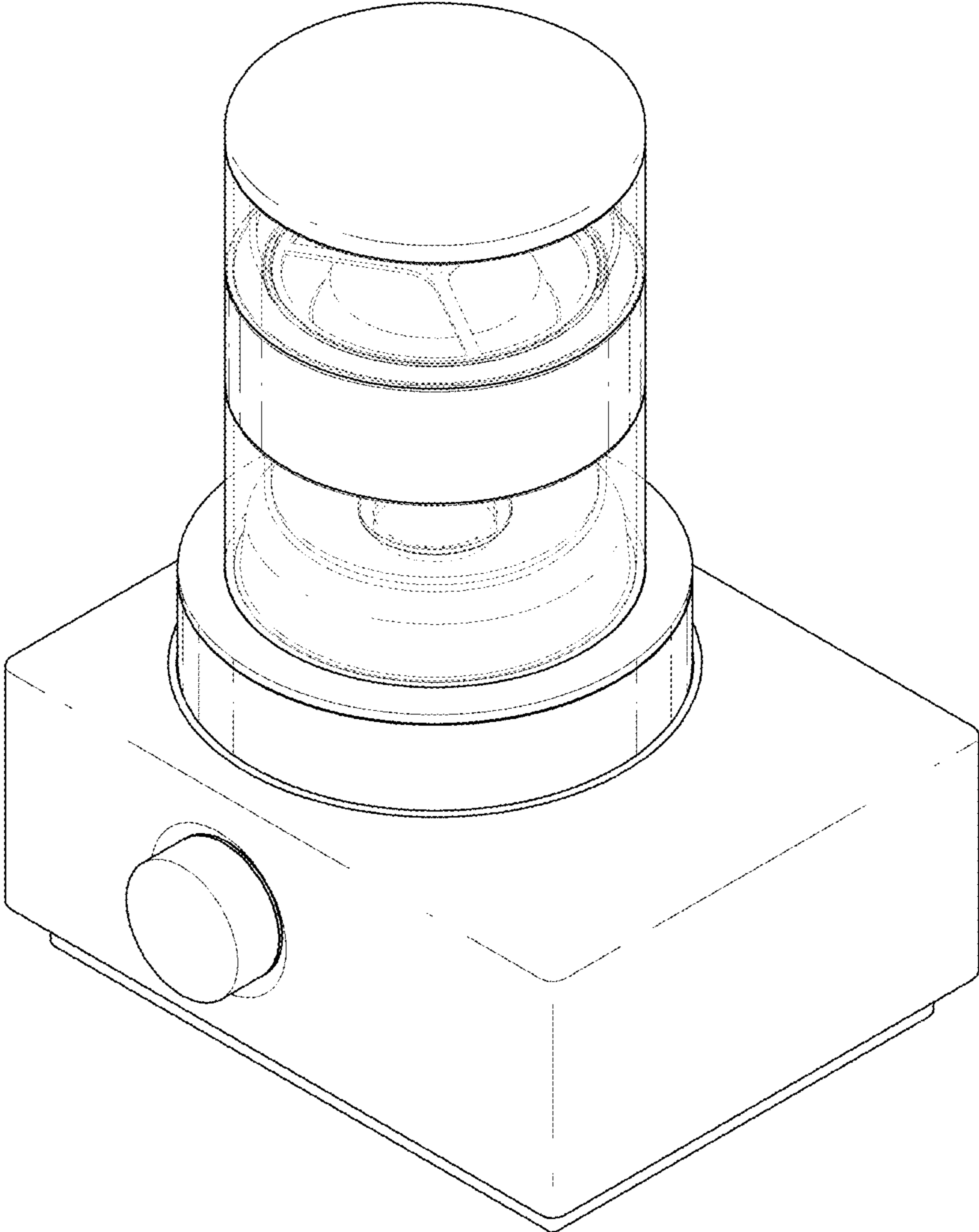


FIG. 2

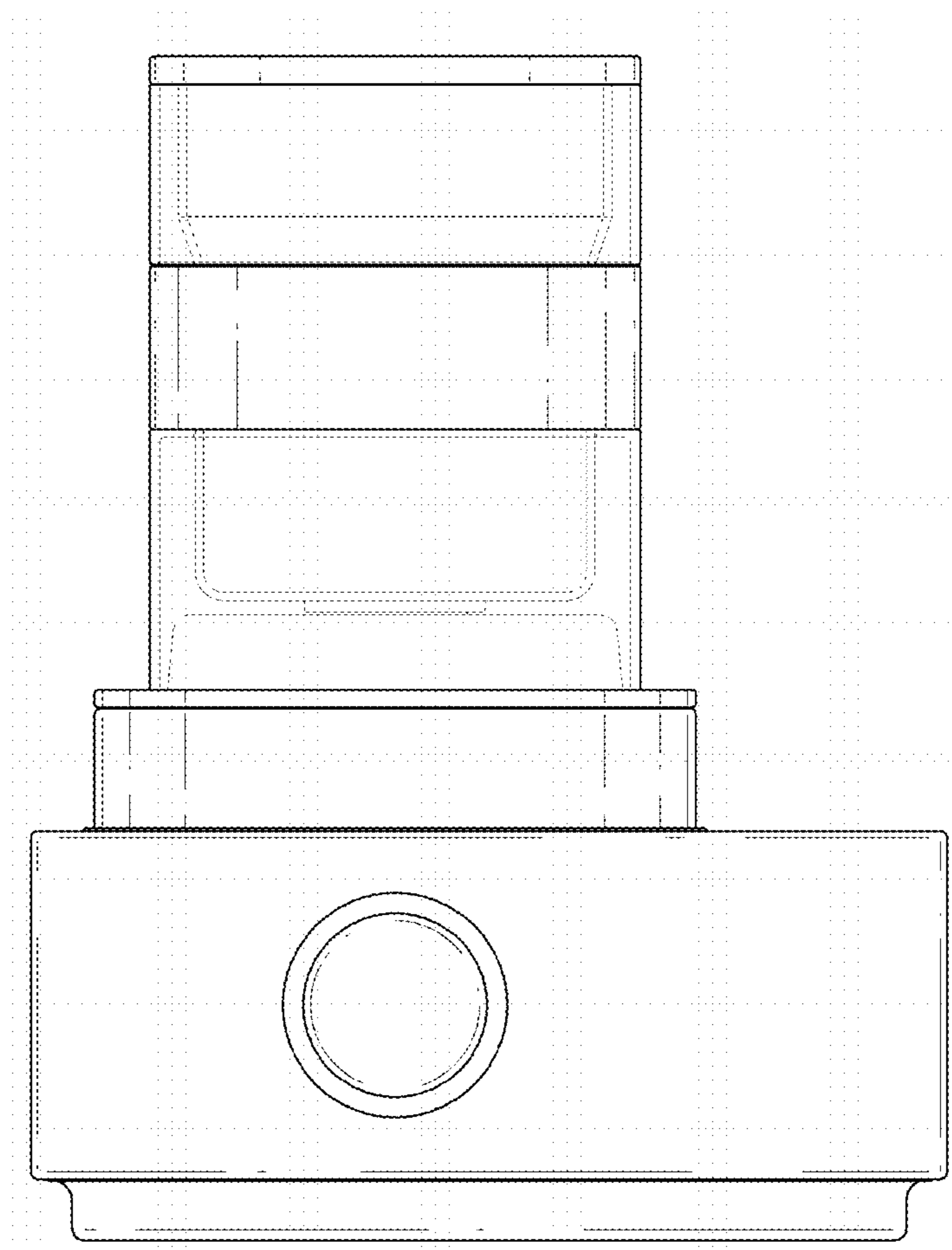


FIG. 3

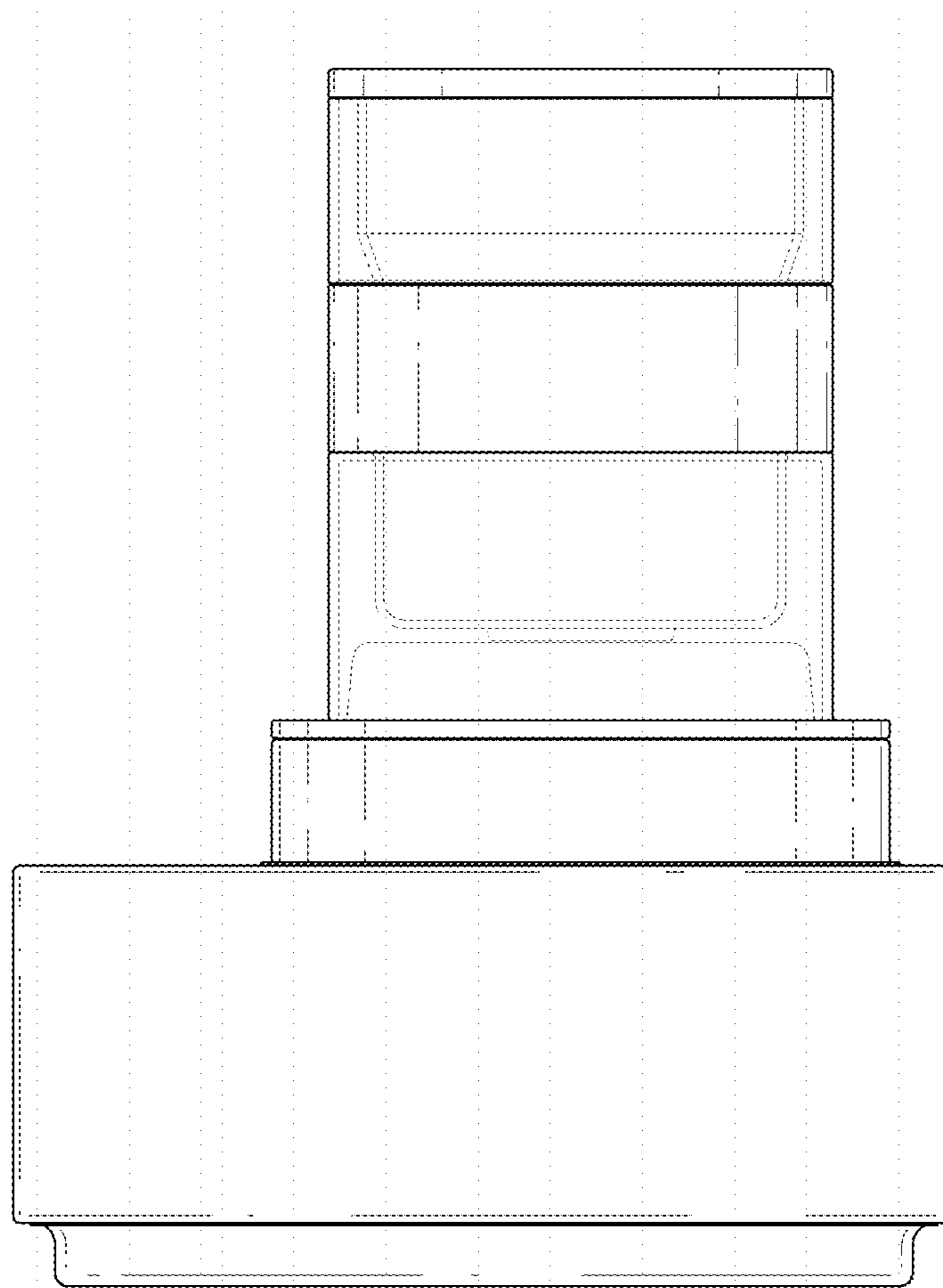


FIG. 4

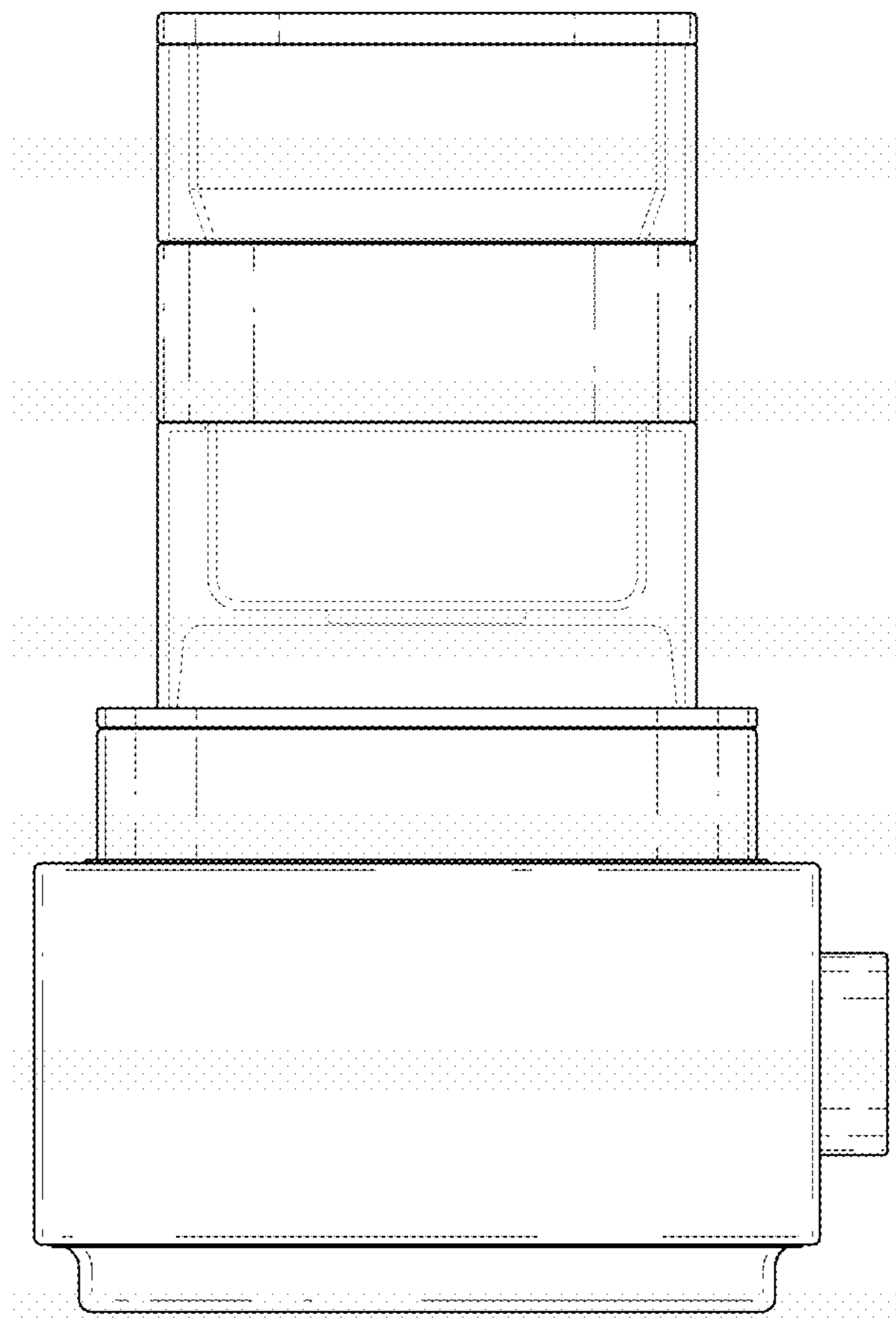


FIG. 5

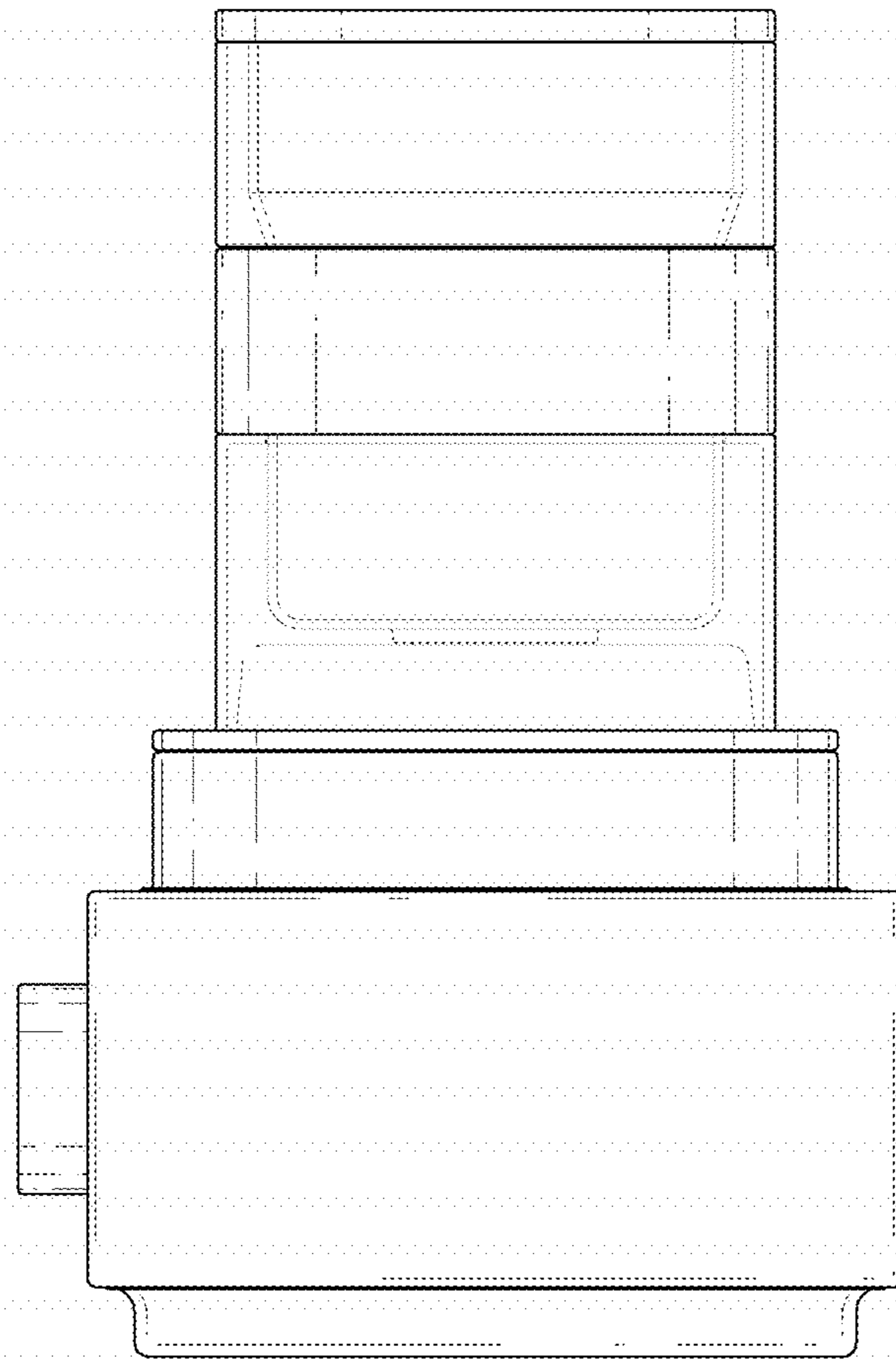




FIG. 6

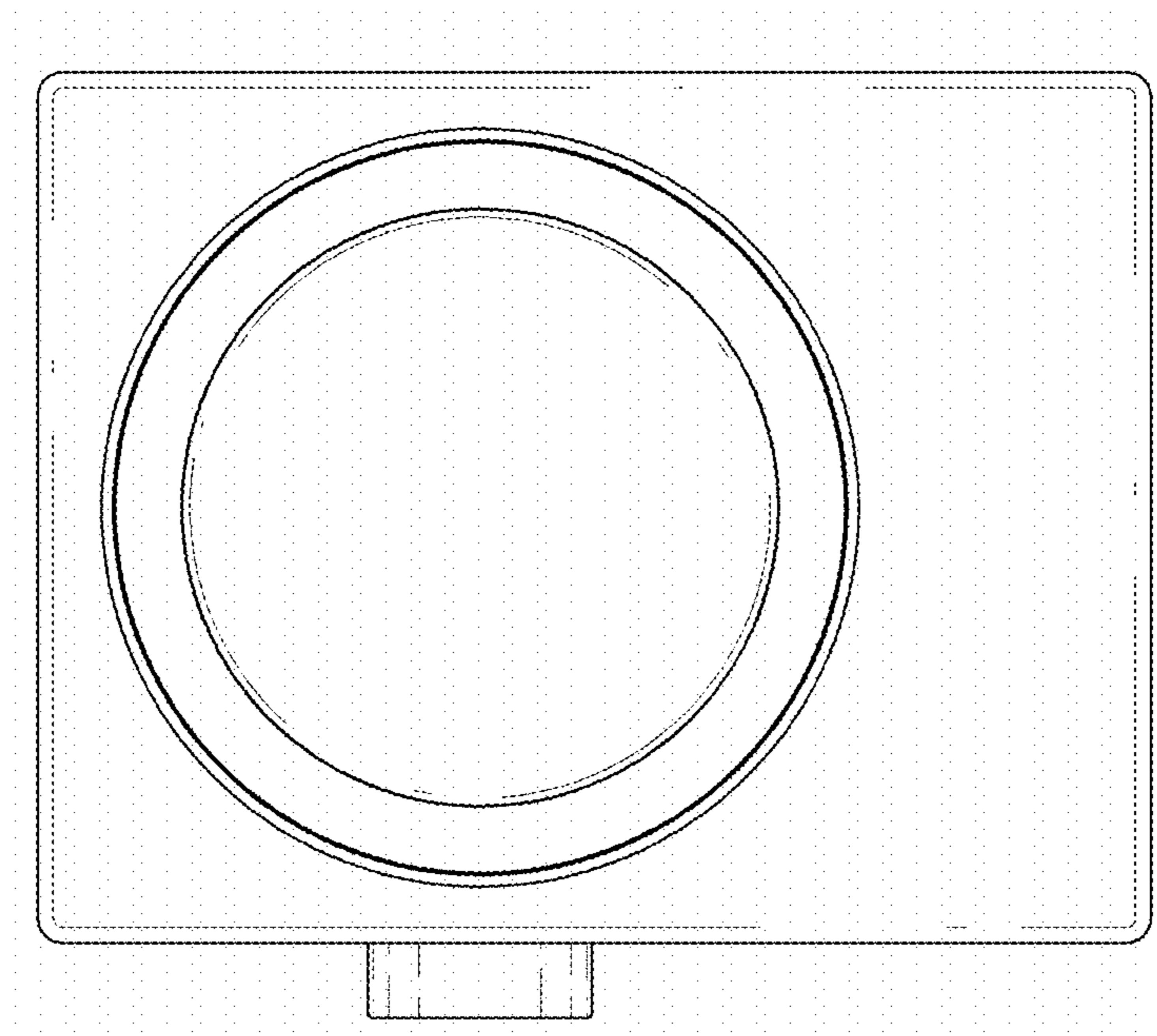




FIG. 7

