



US00D919353S

(12) **United States Design Patent**
Young et al.

(10) **Patent No.:** **US D919,353 S**

(45) **Date of Patent:** **** May 18, 2021**

(54) **PAN**

(71) Applicant: **SHARKNINJA OPERATING LLC**,
Needham, MA (US)

(72) Inventors: **Allen Young**, Needham, MA (US);
Carl Wrigglesworth, London (GB)

(73) Assignee: **SharkNinja Operating LLC**,
Needham, MA (US)

(**) Term: **15 Years**

(21) Appl. No.: **29/694,055**

(22) Filed: **Jun. 6, 2019**

(51) **LOC (13) Cl.** **07-02**

(52) **U.S. Cl.**

USPC **D7/357**

(58) **Field of Classification Search**

USPC D7/354, 355, 356, 357, 359, 501, 503,
D7/505, 550.1, 553.1, 553.2, 553.6,

(Continued)

(56) **References Cited**

U.S. PATENT DOCUMENTS

D23,930 S * 1/1895 Kroeter D7/357
855,565 A * 6/1907 Greenhouse B65D 71/72
206/562

(Continued)

OTHER PUBLICATIONS

Food Network™ Pressure Cooker Accessory Silicone Egg Bites with Lid, announced Aug. 2018 [online], retrieved Aug. 3, 2020, retrieved from internet, <https://www.kohls.com/product/prd-3369230/>

food-network-pressure-cooker-accessory-silicone-egg-bites-with-lid.jsp?skuid=62343277&CID=shopping15&utm_campaign=Food%20P.*

(Continued)

Primary Examiner — Dana K Weiland

Assistant Examiner — Messina L Smith

(74) *Attorney, Agent, or Firm* — Mintz Levin Cohn Ferris Glovsky and Popeo, PC; Lisa Adams

(57) **CLAIM**

The ornamental design for a pan, as shown and described.

DESCRIPTION

FIG. 1 is a perspective view of a pan, showing our new design in a first embodiment;

FIG. 2 is a top view of the embodiment shown in FIG. 1;

FIG. 3 is a bottom view of the embodiment shown in FIG. 1;

FIG. 4 is a side view of the embodiment shown in FIG. 1;

FIG. 5 is another side view of the embodiment shown in FIG. 1;

FIG. 6 is a front view of the embodiment shown in FIG. 1;

FIG. 7 is a rear view of the embodiment shown in FIG. 1;

FIG. 8 is a perspective view of a pan, showing our new design in a second embodiment;

FIG. 9 is a top view of the embodiment shown in FIG. 8;

FIG. 10 is a bottom view of the embodiment shown in FIG. 8;

FIG. 11 is a side view of the embodiment shown in FIG. 8;

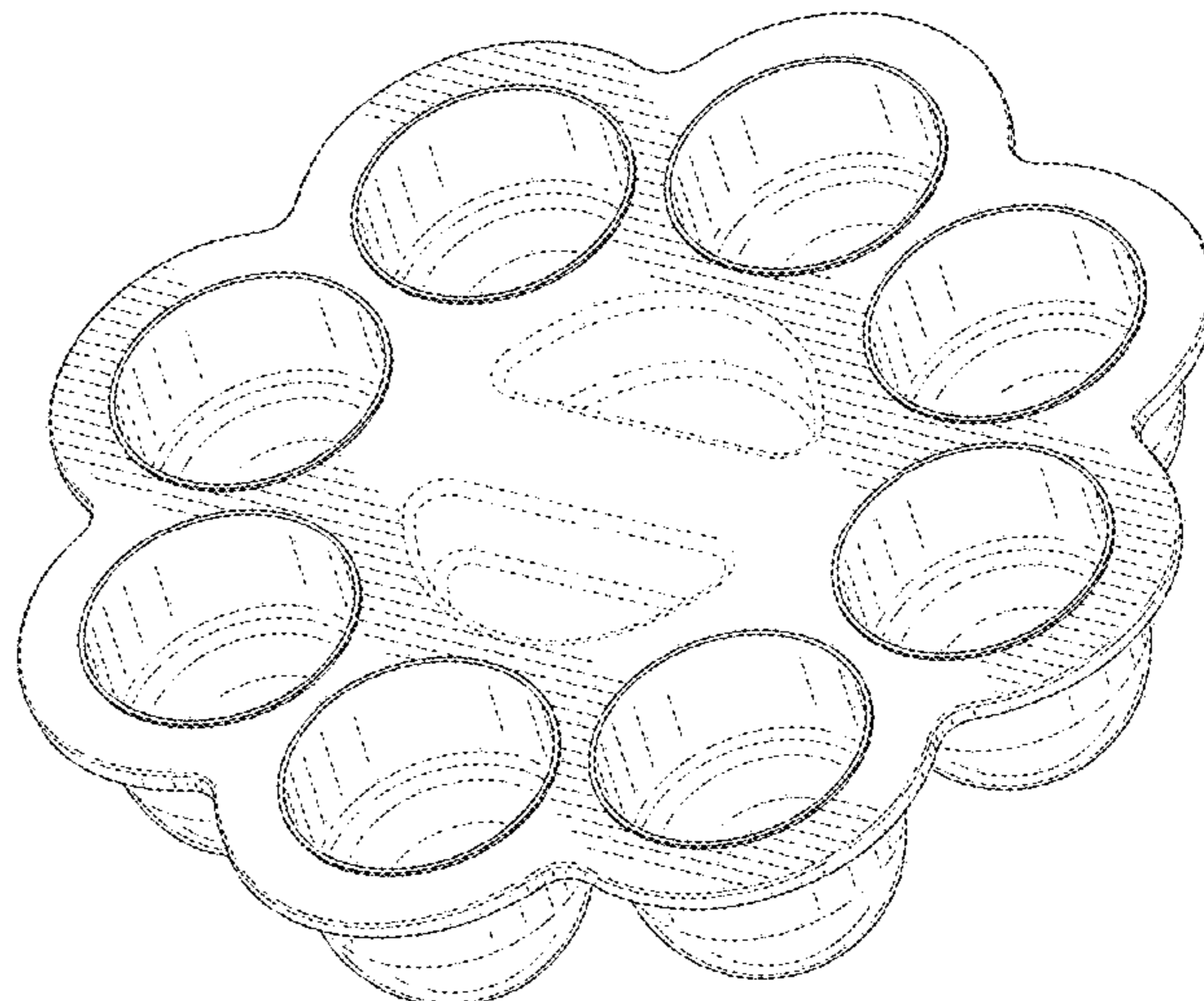
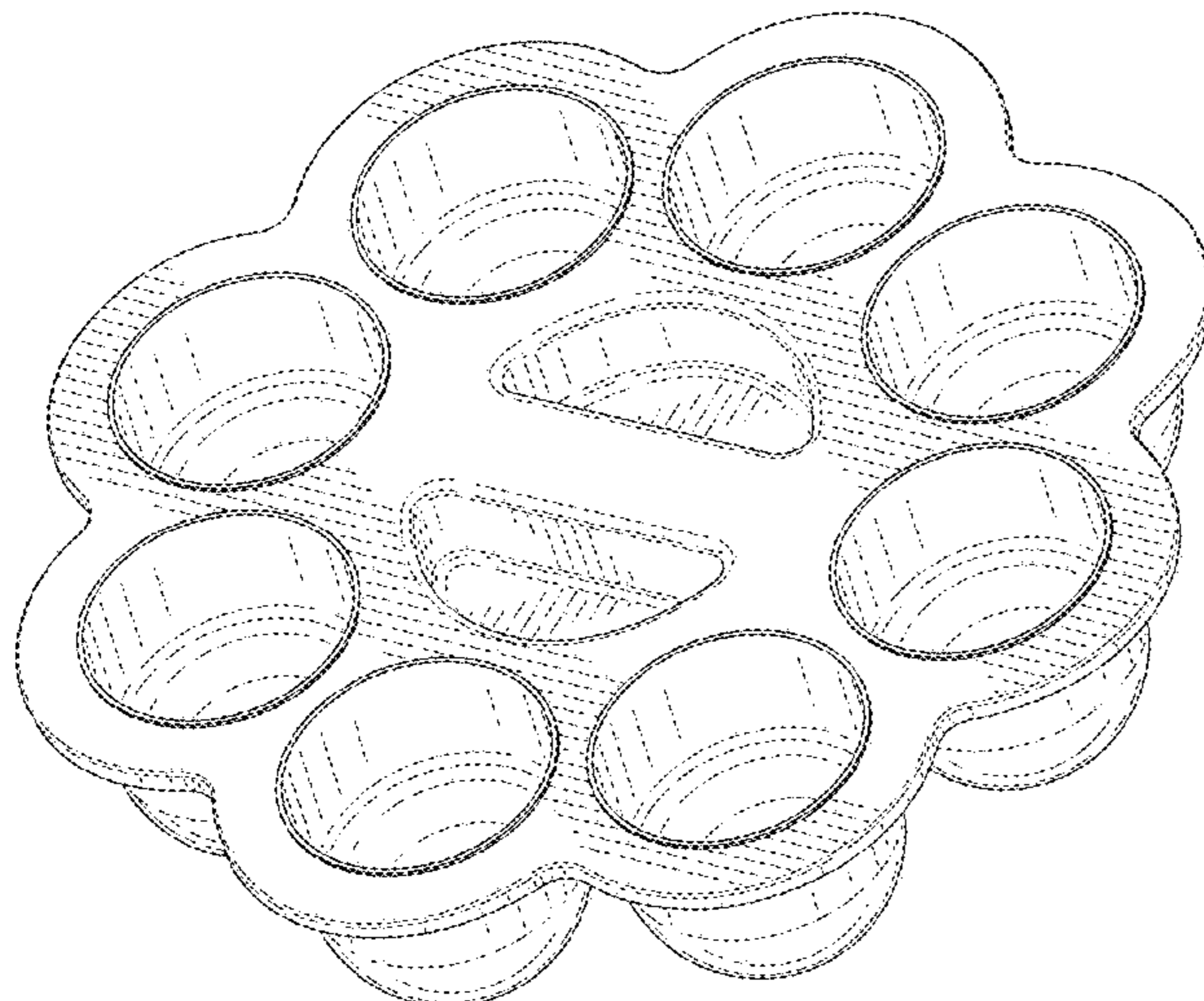
FIG. 12 is another side view of the embodiment shown in FIG. 8;

FIG. 13 is a front view of the embodiment shown in FIG. 8; and,

FIG. 14 is a rear view of the embodiment shown in FIG. 8.

The broken lines in the drawings depict portions of the pan that form no part of the claimed design.

1 Claim, 10 Drawing Sheets



(58) **Field of Classification Search**

USPC D7/553.7, 553.8, 554.1, 554.2, 554.3,
 D7/554.4, 753; D3/304; D9/736, 749,
 D9/755, 758, 760, 456; D1/105, 124
 CPC .. A47J 29/00; A47J 29/02; A47J 29/04; A47J
 29/06; A47J 27/004; A47J 36/027; A01K
 41/06; A01K 41/065; B65D 85/32; B65D
 85/321; B65D 85/322; B65D 85/324;
 B65G 2201/2208; A47G 19/282; F25D
 2331/807

See application file for complete search history.

D393,775 S * 4/1998 Otero D7/553.6
 D497,077 S * 10/2004 de Groote D7/357
 D579,263 S * 10/2008 Courington D7/357
 D688,085 S * 8/2013 Harris D7/357
 D691,000 S * 10/2013 Graham D7/672
 D701,417 S * 3/2014 Griffin D7/357
 D794,377 S * 8/2017 Wells D7/357
 D829,497 S * 10/2018 Kilicarlan D7/391
 D835,467 S * 12/2018 Dolinsky D7/553.6
 D848,780 S * 5/2019 Lombardo D7/357
 D856,061 S * 8/2019 Lombardo D7/357
 D863,864 S * 10/2019 Armistead D7/357

(56) **References Cited**

U.S. PATENT DOCUMENTS

1,199,987 A * 10/1916 Husted A47G 33/02
 206/19
 D252,066 S * 6/1979 Jeambey D7/357
 D269,935 S * 8/1983 Powers D7/357
 D279,538 S * 7/1985 Throm D7/357
 D292,161 S * 10/1987 Spolter D7/553.6
 D391,449 S * 3/1998 Toth D7/554.2

OTHER PUBLICATIONS

Voloop Silicone Egg Bites Molds and Steamer Rack Trivet, announced Aug. 22, 2019 [online], retrieved Aug. 3, 2020, retrieved from internet, https://www.amazon.com/dp/B07W534N1S/ref=sspa_dk_detail_3?psc=1&pd_rd_i=B07W534N1S&pd_rd_w=c86TA&pf_rd_p=48d372c1-f7e1-4b8b-9d02-4bd86f5158c5&pd_rd_wg=AavHh&pf_rd_r=MCPTJ53T.*

* cited by examiner

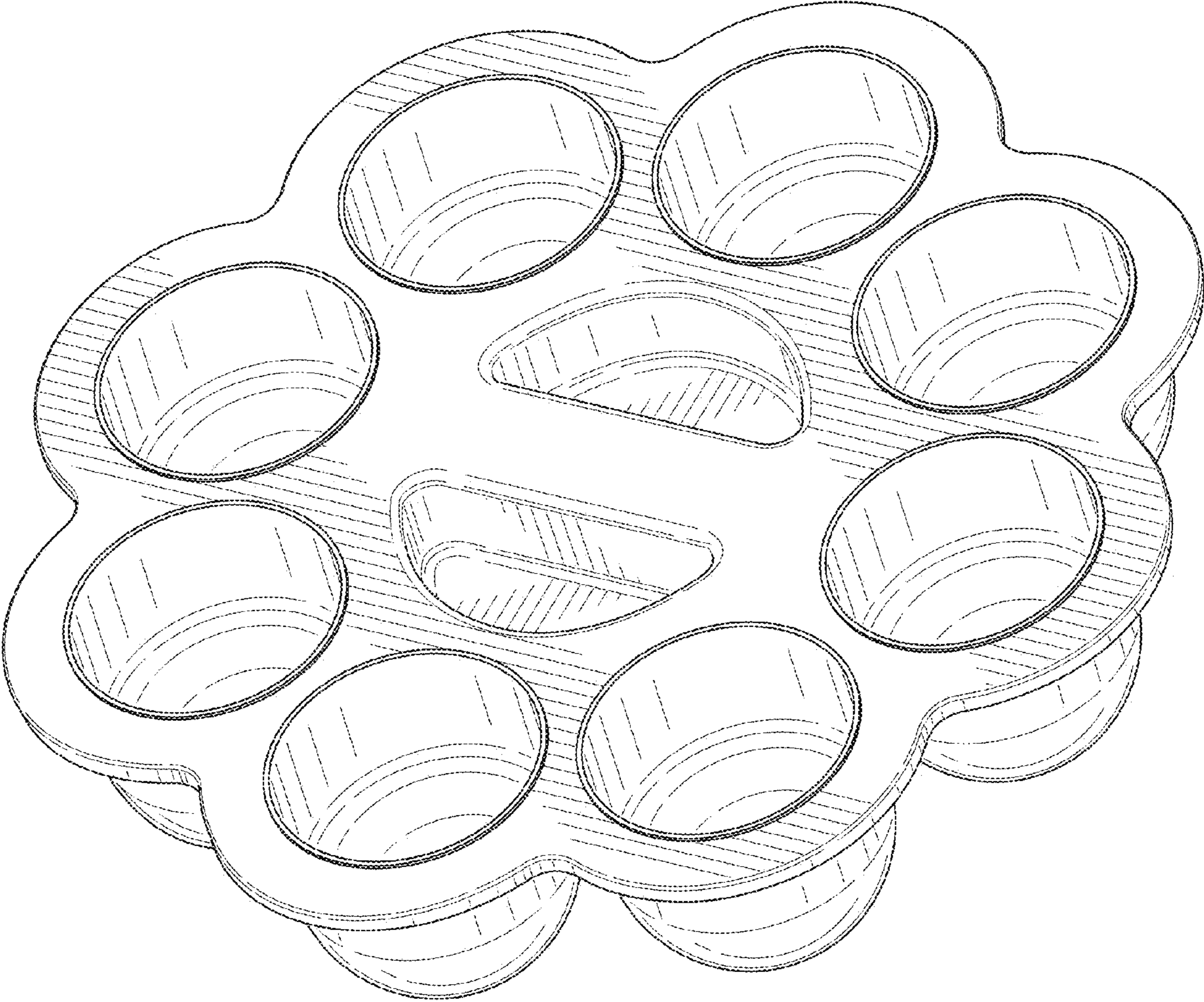


FIG. 1

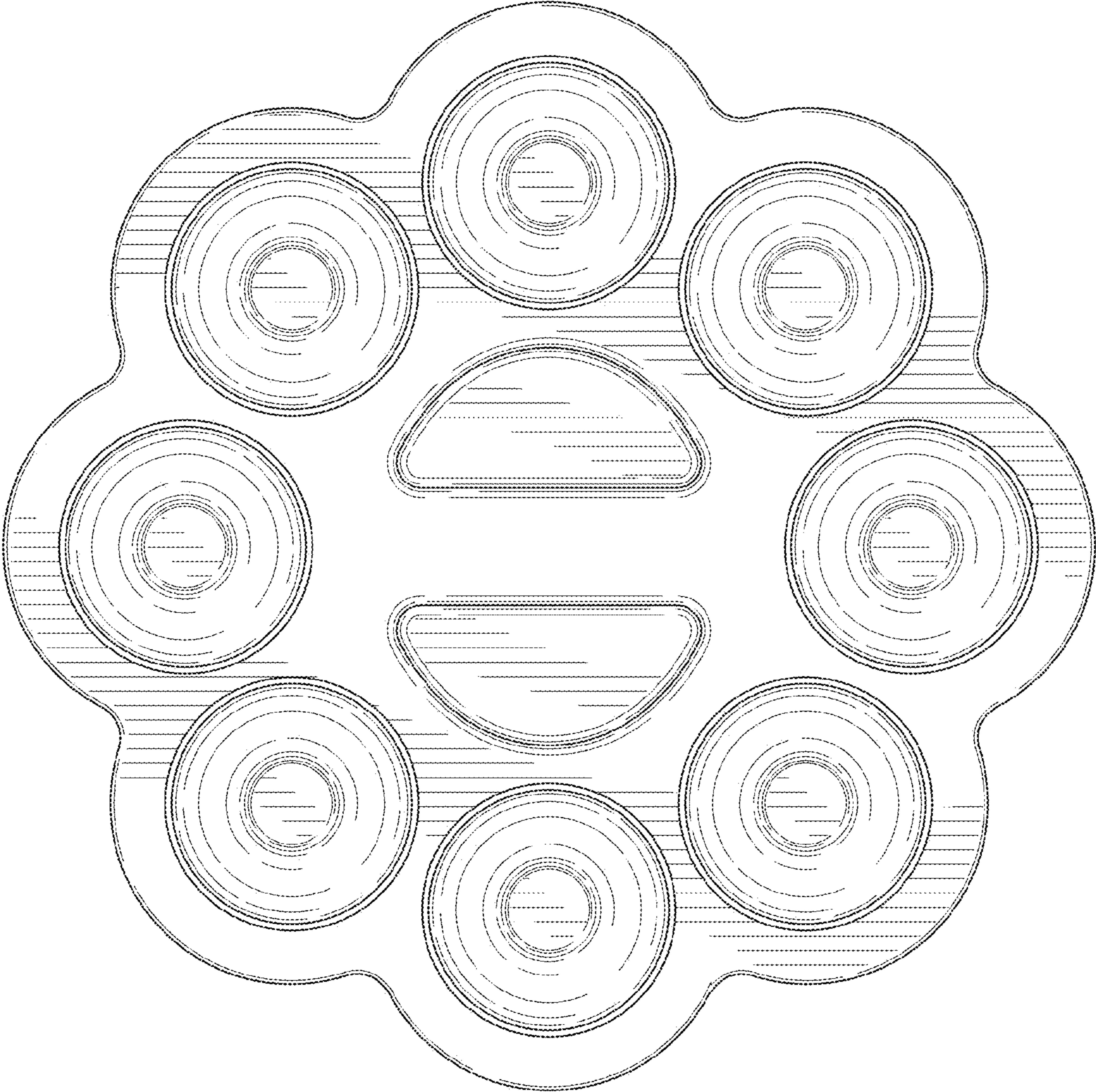


FIG. 2

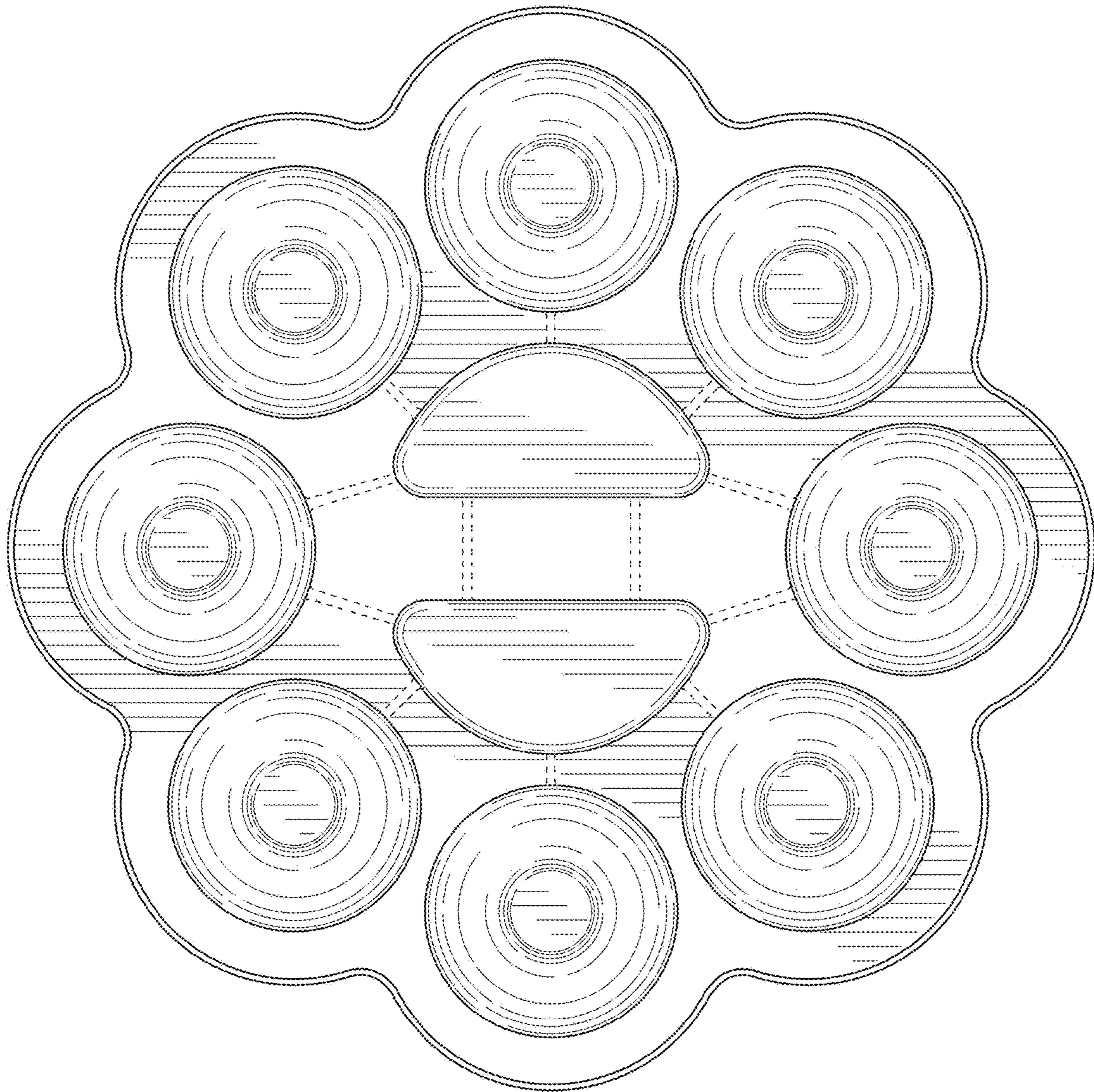


FIG. 3

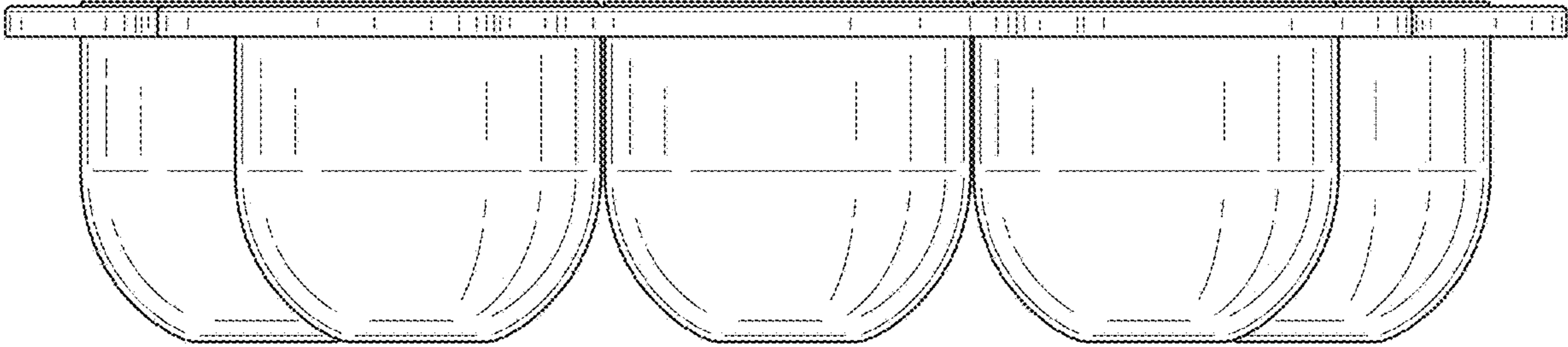


FIG. 4

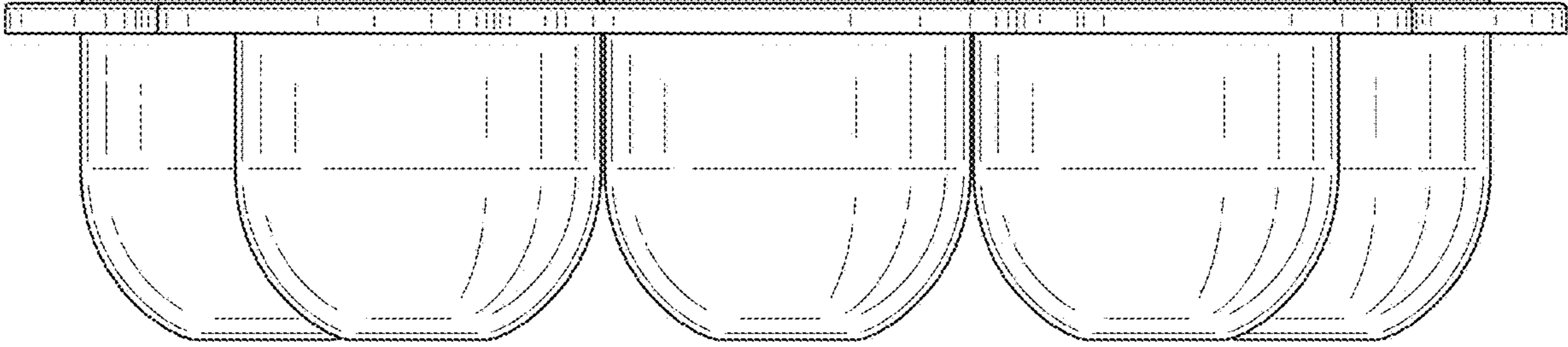


FIG. 5

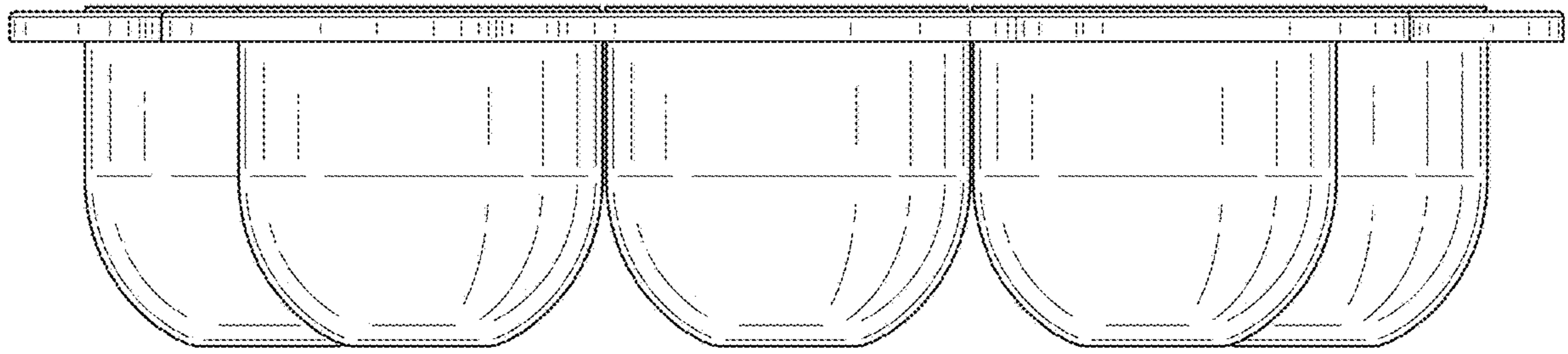


FIG. 6

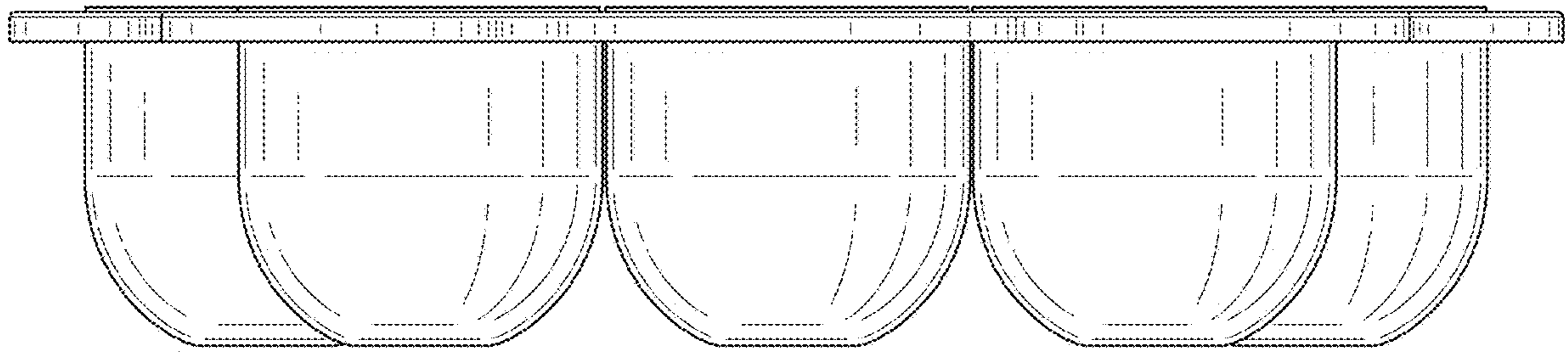


FIG. 7

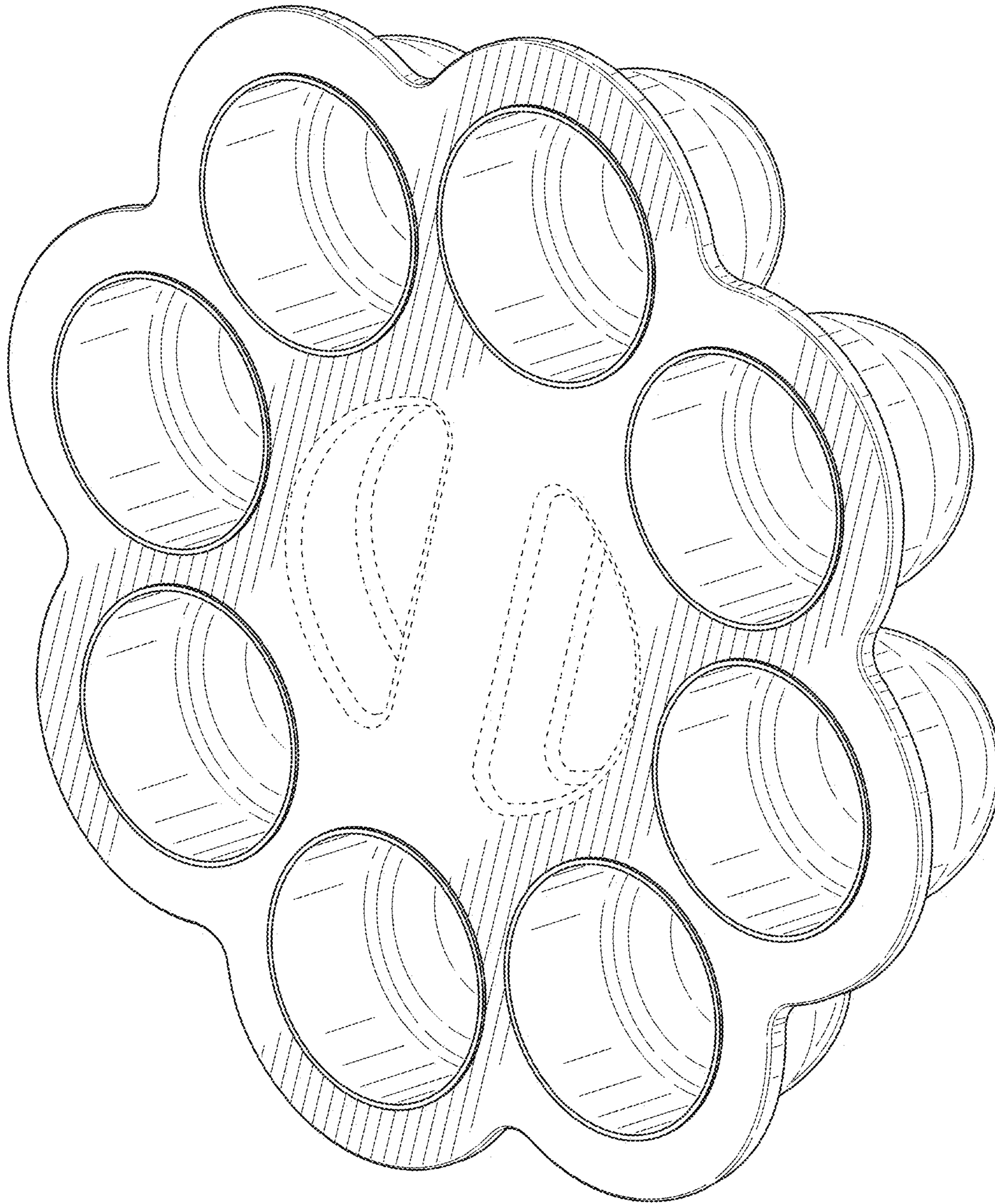


FIG. 8

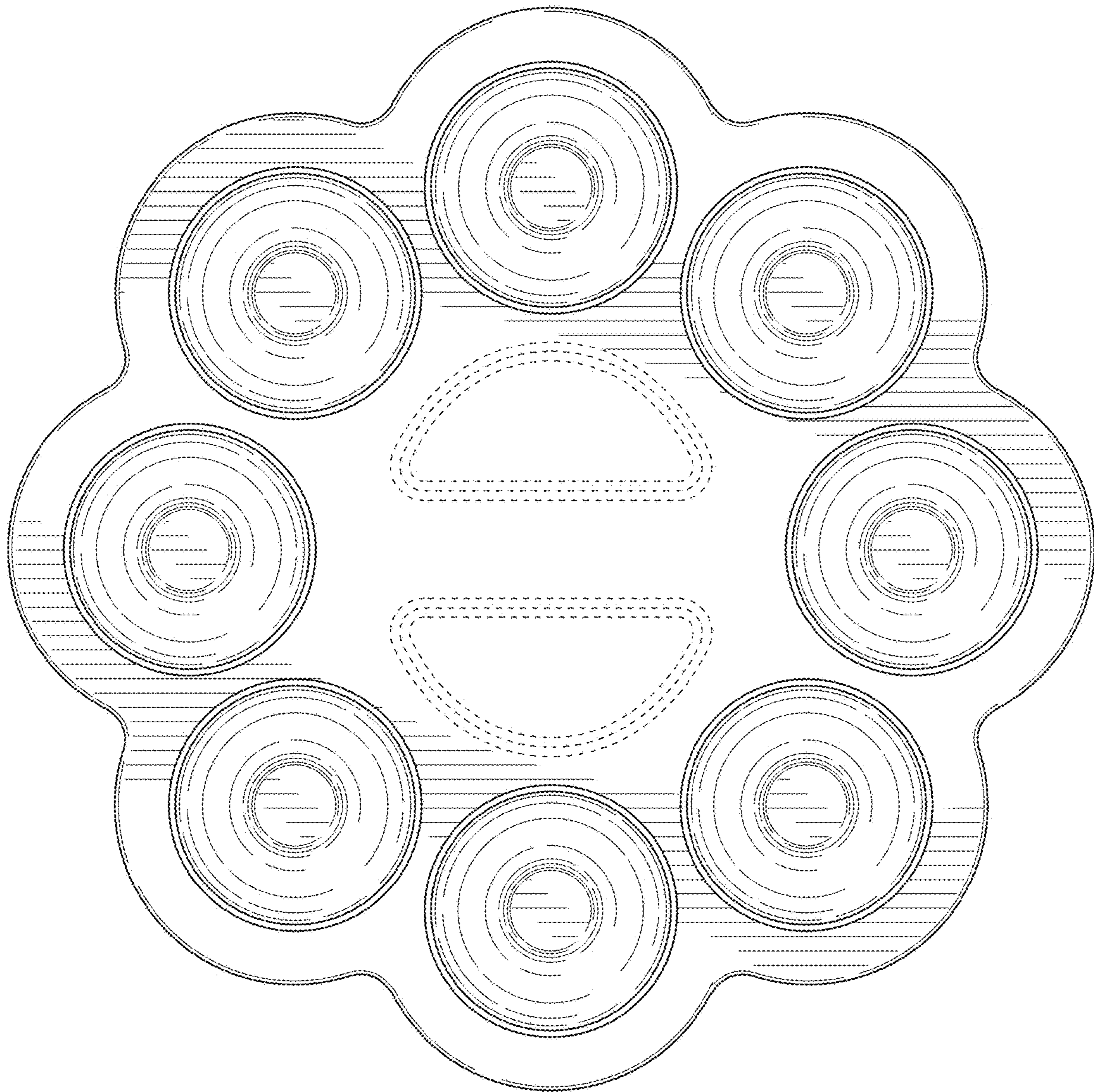


FIG. 9

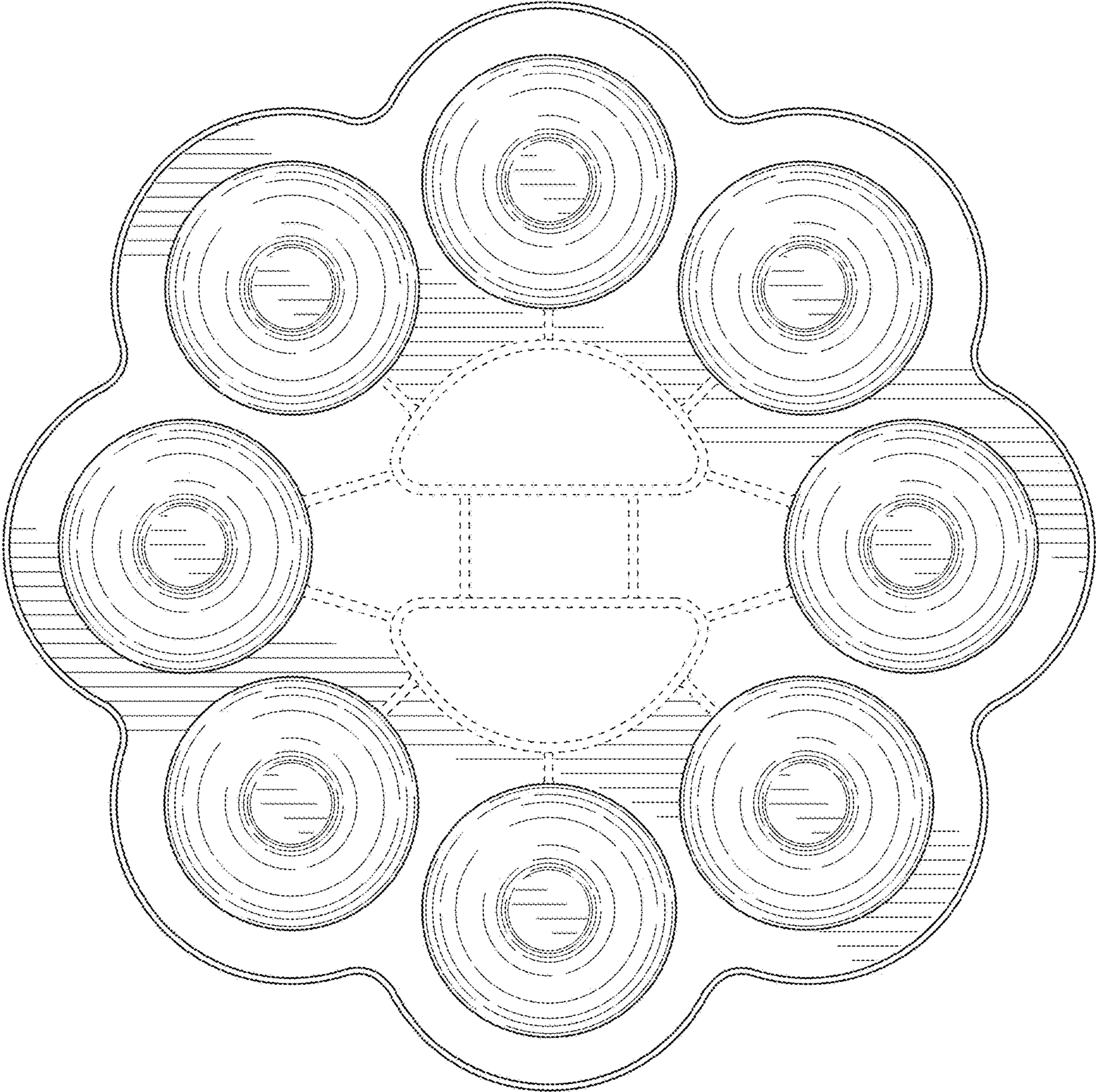


FIG. 10

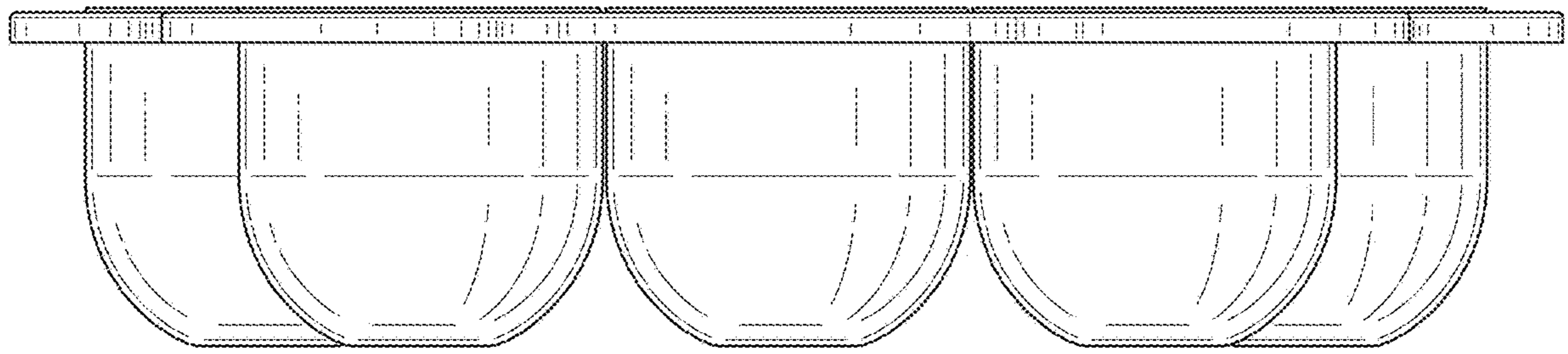


FIG. 11

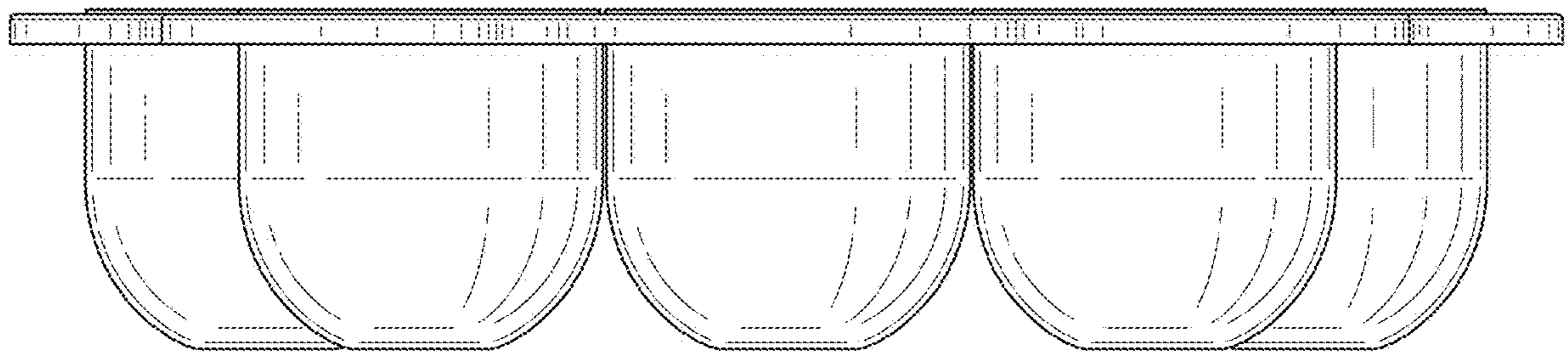


FIG. 12

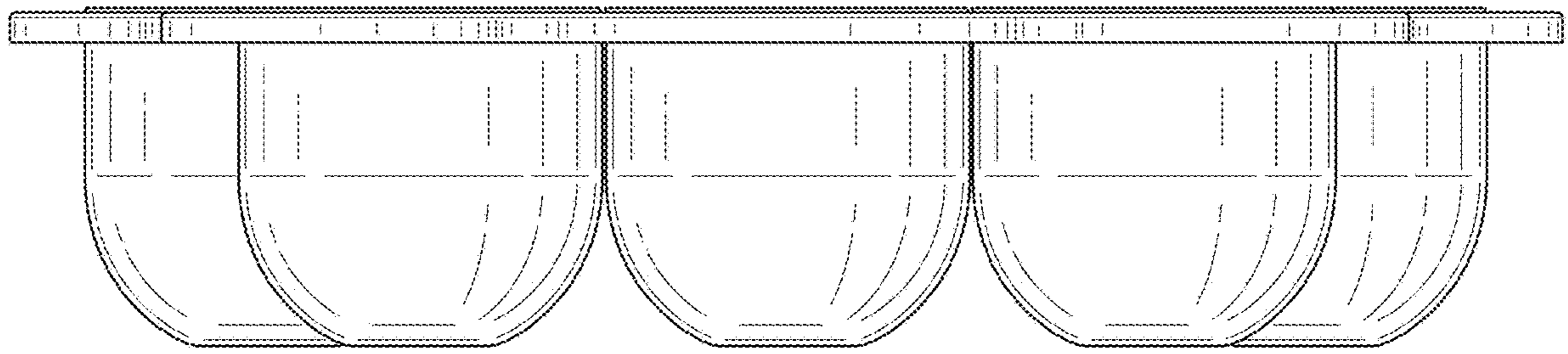


FIG. 13

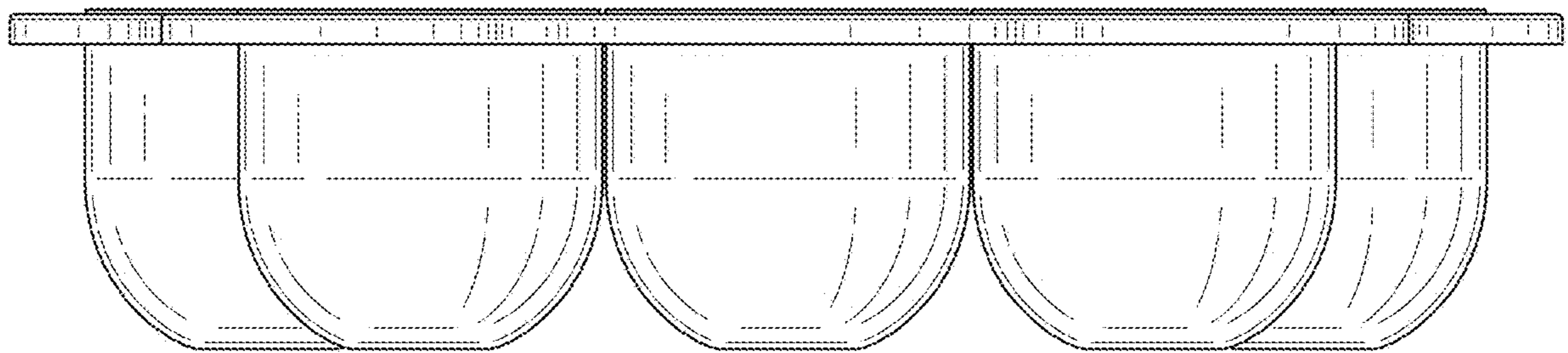


FIG. 14