



US00D919352S

(12) **United States Design Patent** (10) **Patent No.:** **US D919,352 S**  
**Li** (45) **Date of Patent:** **\*\* May 18, 2021**

(54) **DRIED BEANS MACHINE**  
(71) Applicant: **Hangzhou Aoke Technology Co., Ltd.**,  
Hangzhou (CN)  
(72) Inventor: **Bin Li**, Loudi (CN)  
(\*\*) Term: **15 Years**  
(21) Appl. No.: **29/739,283**

D380,504 S \* 7/1997 Yang ..... D21/525  
D667,255 S \* 9/2012 Reiner ..... D7/354  
D704,500 S \* 5/2014 Kim ..... D7/354  
D711,679 S \* 8/2014 Day ..... D7/354  
D715,088 S \* 10/2014 Kim ..... D7/354  
D793,798 S \* 8/2017 Carpenter ..... D7/354  
D830,103 S \* 10/2018 Cao ..... D7/354  
D836,968 S \* 1/2019 Chung ..... D7/354  
D850,185 S \* 6/2019 Terao ..... D7/354  
D854,875 S \* 7/2019 Tan ..... D7/358  
D899,178 S \* 10/2020 Ye ..... D7/358

(22) Filed: **Jun. 24, 2020**  
(51) **LOC (13) Cl.** ..... **07-02**  
(52) **U.S. Cl.**  
USPC ..... **D7/354**  
(58) **Field of Classification Search**  
USPC ..... D7/323, 354-361, 391, 393; D21/525  
CPC ..... A47J 27/00; A47J 27/004; A47J 27/08;  
A47J 27/0802; A47J 27/0804; A47J  
27/0811; A47J 27/0813; A47J 27/0815;  
A47J 27/0817; A47J 27/084; A47J 27/09;  
A47J 27/092; A47J 36/025; A47J 36/06;  
A47J 37/12; A47J 37/1204; A47J  
37/1209; A47J 45/07; A47J 45/071; A47J  
45/074; A47J 45/08; B01D 2201/345;  
B01J 3/03; B01J 3/04; F01P 2011/0247;  
F01P 2011/0252; H05B 6/00; H05B 6/02;  
H05B 6/06

See application file for complete search history.

(56) **References Cited**  
U.S. PATENT DOCUMENTS

D347,352 S \* 5/1994 Myers ..... D7/354  
D369,270 S \* 4/1996 Payen ..... D7/323

**OTHER PUBLICATIONS**

Kolua Wax Digital Wax Warmer Hair Removal with Hard Wax Beans. Latest Date First known on Amazon.com review Feb. 11, 2020. <https://www.amazon.com/gp/product/B07X7HQJ61/ref> (Year: 2020).\*

\* cited by examiner

*Primary Examiner* — Ricky Pham

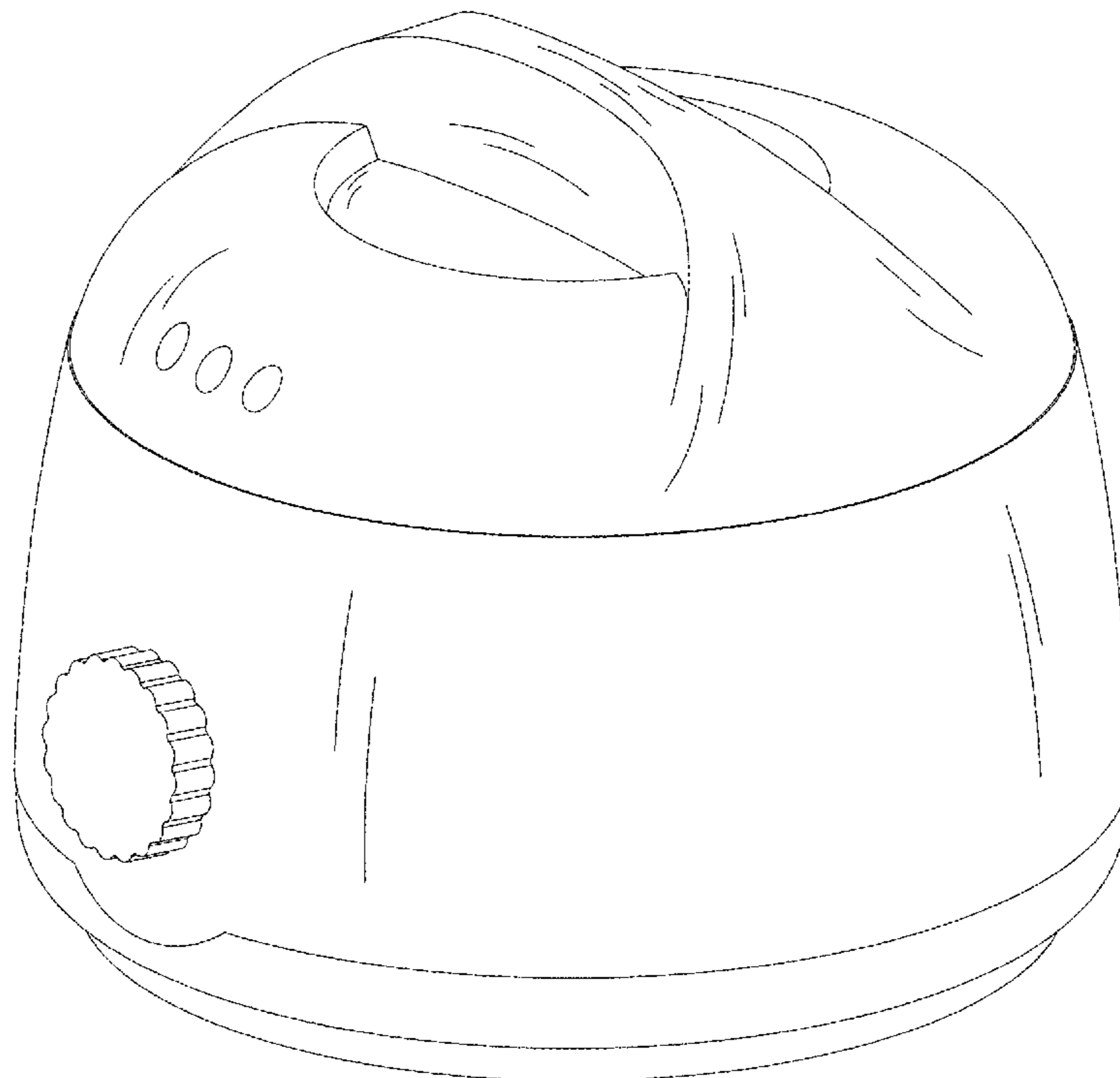
(57) **CLAIM**

The ornamental design for a dried beans machine, as shown and described.

**DESCRIPTION**

FIG. 1 is a perspective view of a dried beans machine showing my new design;  
FIG. 2 is a front view thereof;  
FIG. 3 is a back view thereof;  
FIG. 4 is a left side view thereof;  
FIG. 5 is a right side view thereof;  
FIG. 6 is a top view thereof; and,  
FIG. 7 is a bottom view thereof.

**1 Claim, 7 Drawing Sheets**



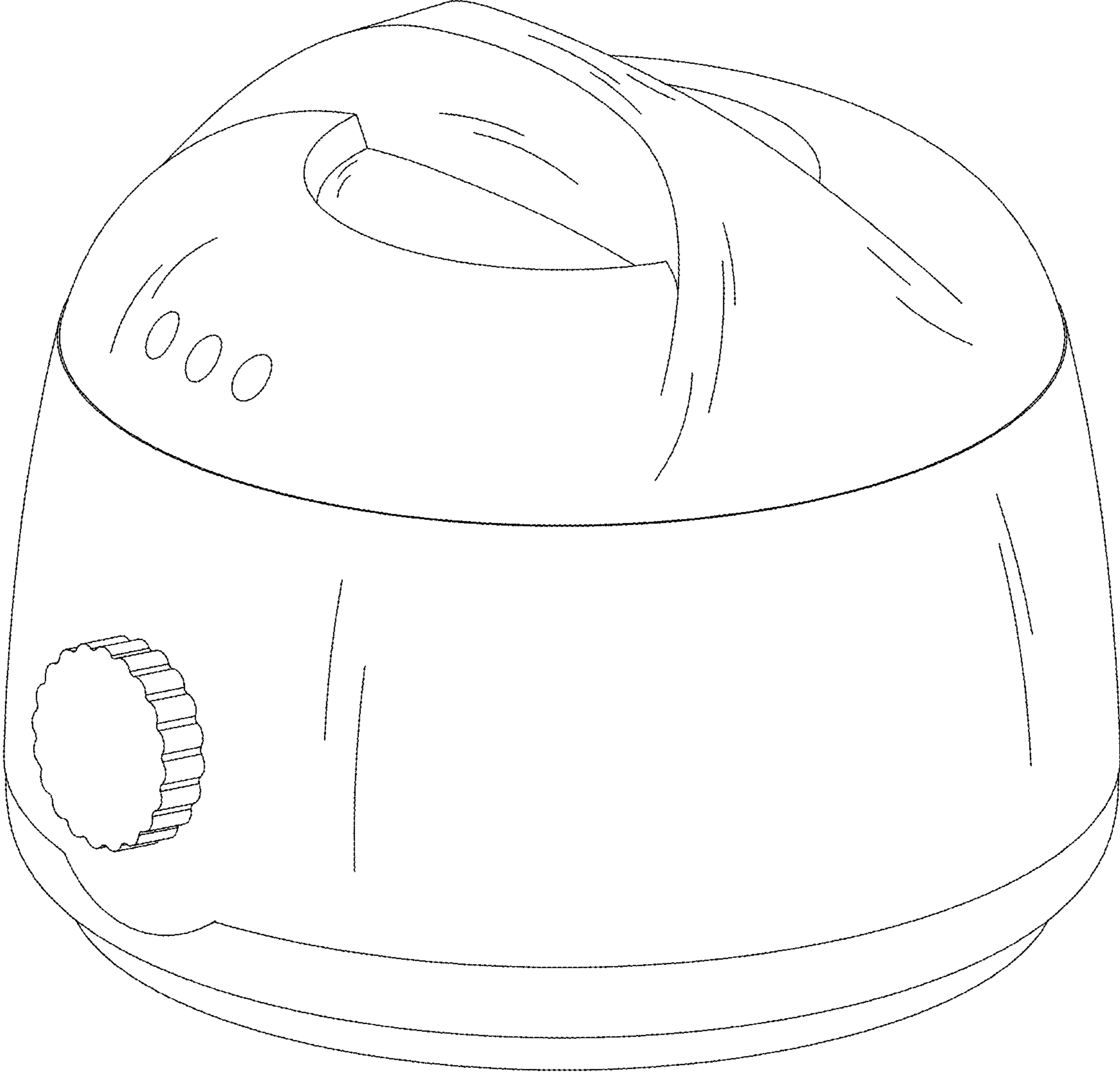


FIG. 1

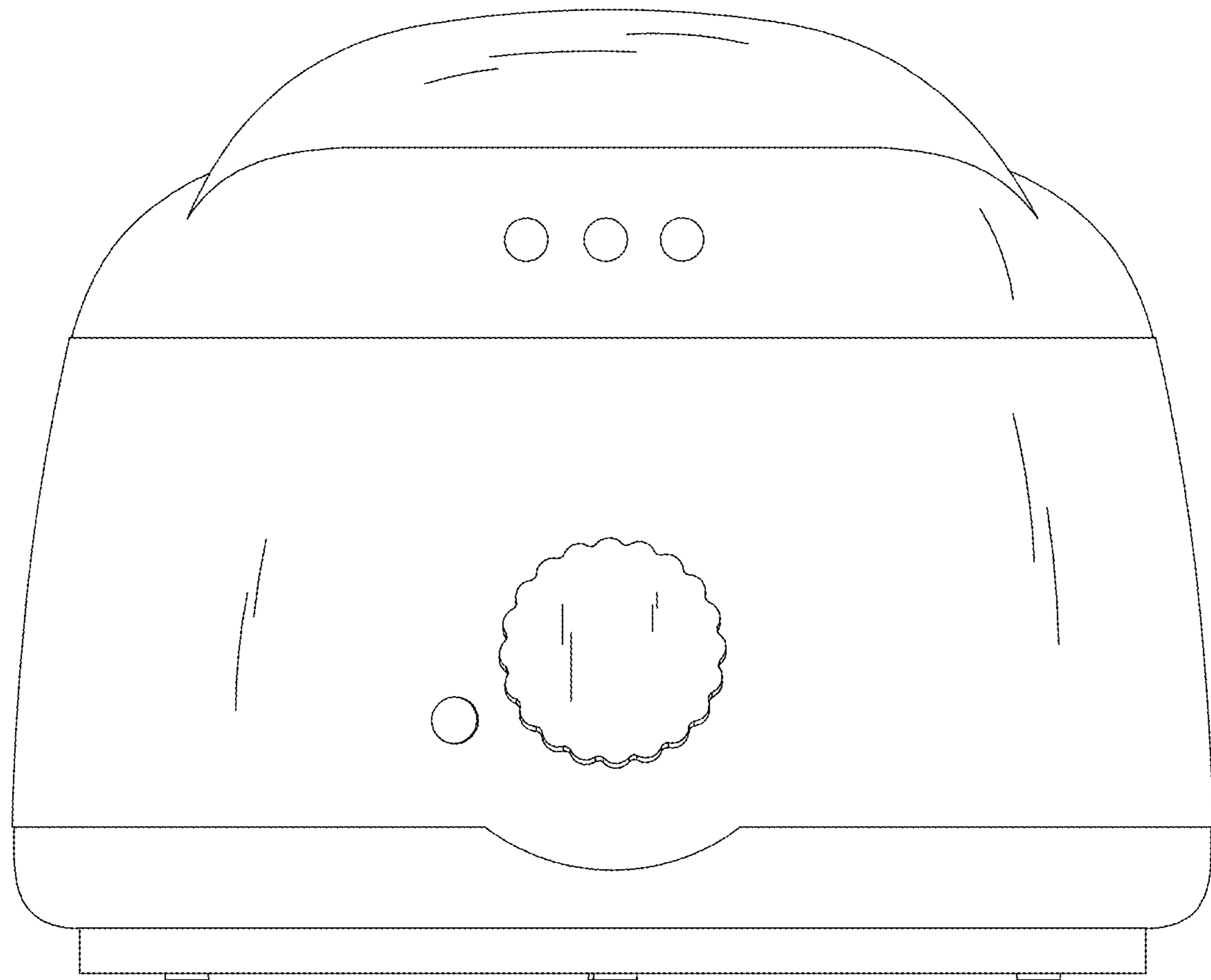


FIG. 2

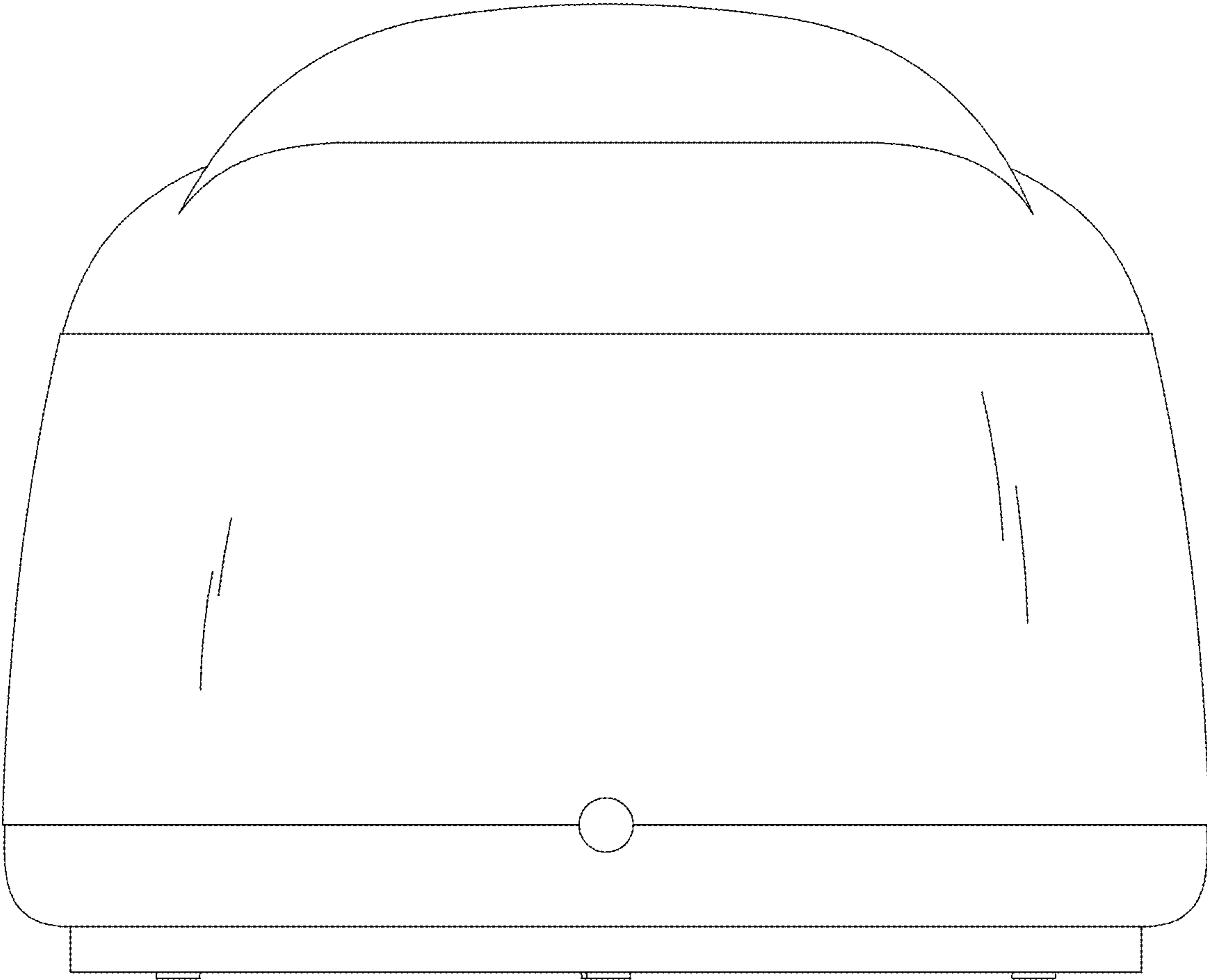


FIG. 3

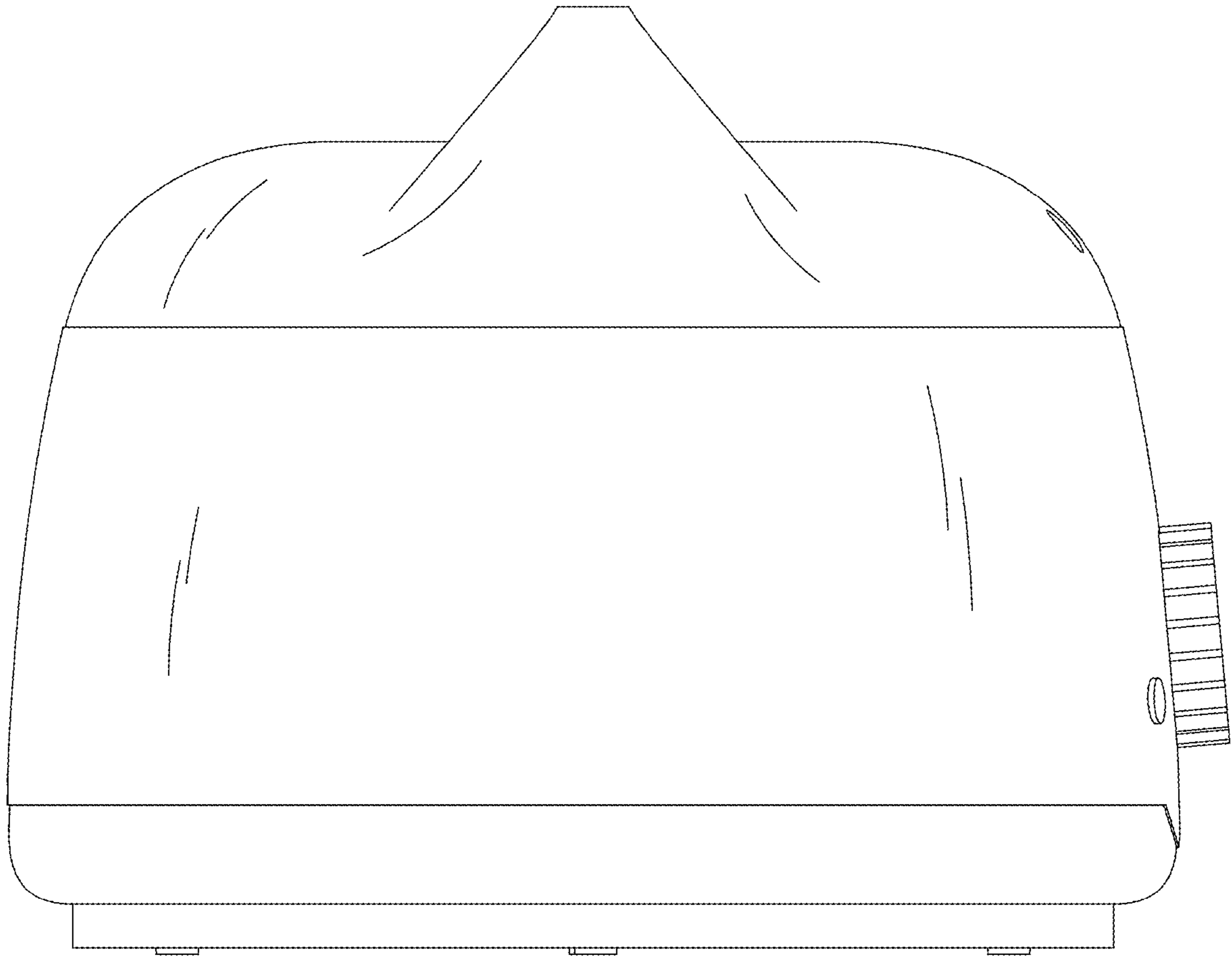


FIG. 4

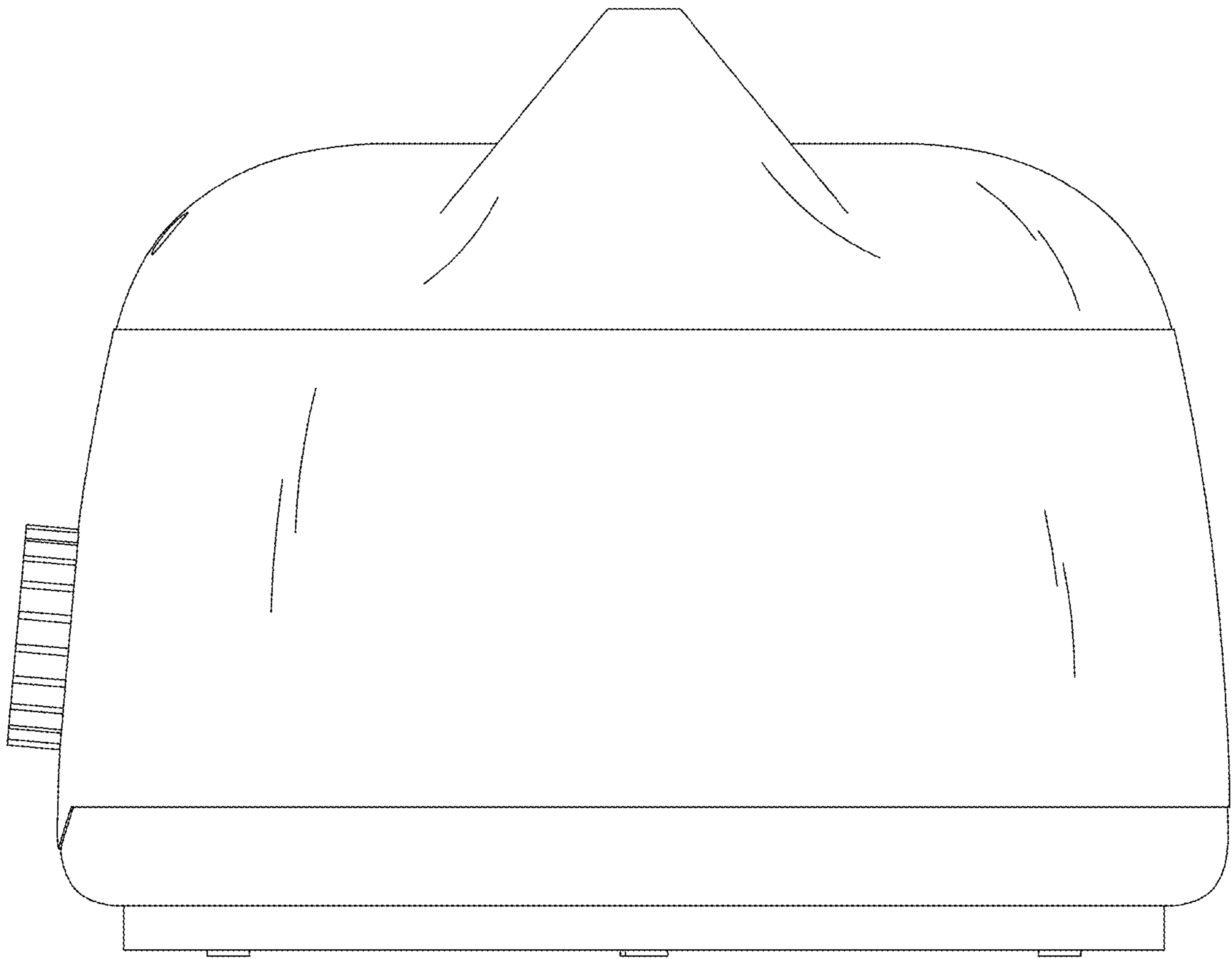


FIG. 5

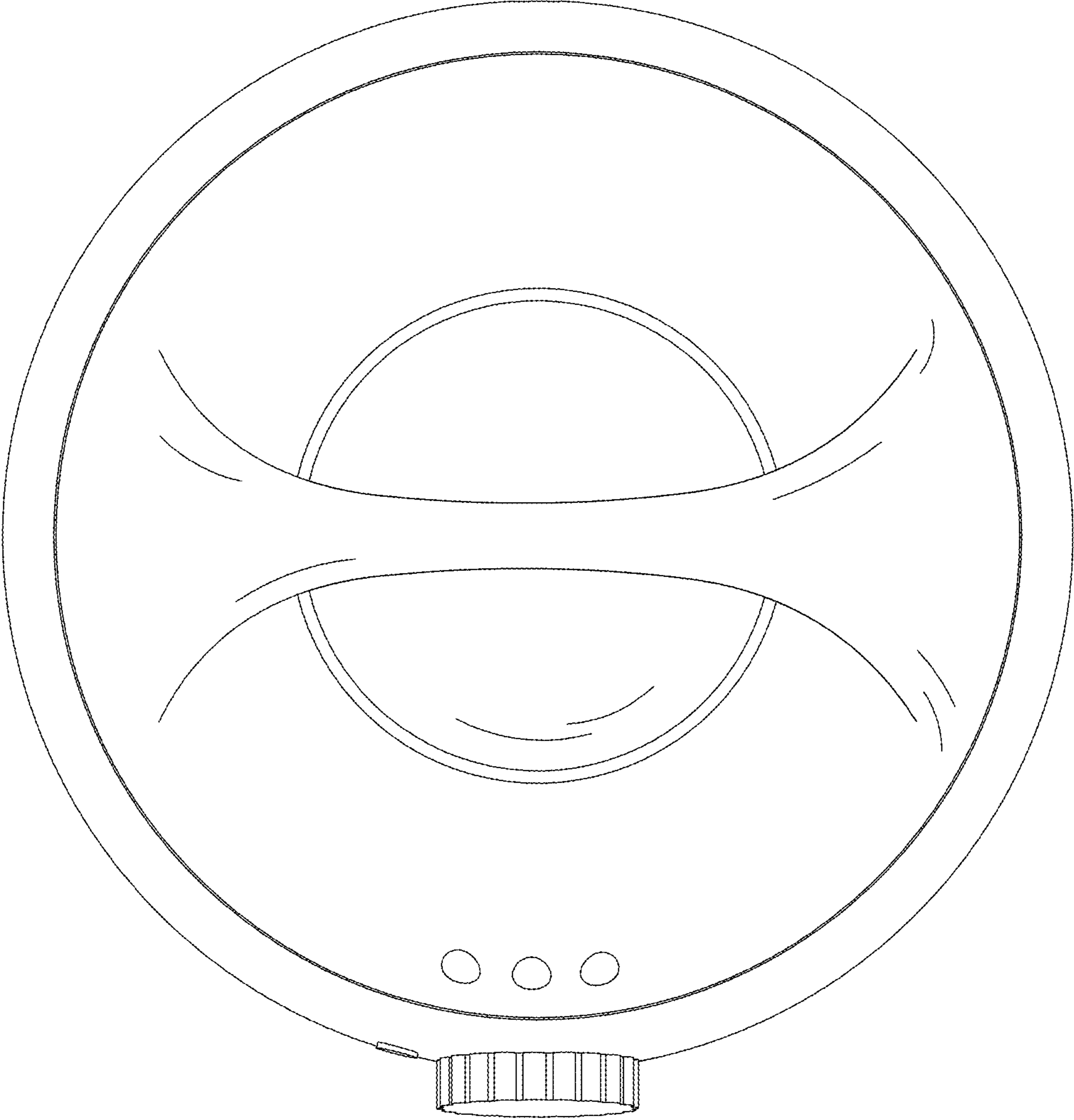


FIG. 6

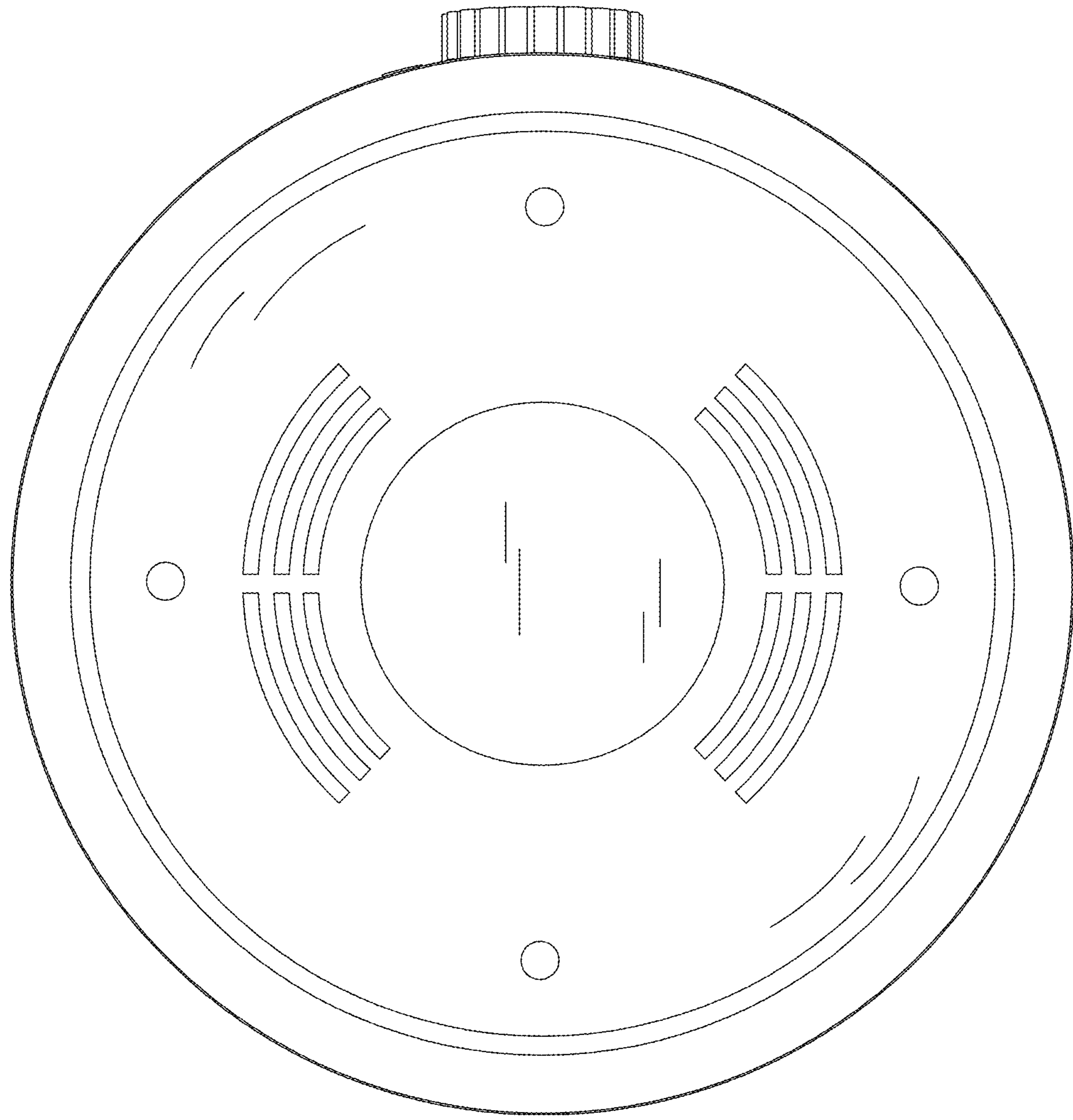


FIG. 7