



US00D919351S

(12) **United States Design Patent** (10) **Patent No.:** **US D919,351 S**
Dorion et al. (45) **Date of Patent:** **** May 18, 2021**

(54) **POT HANDLES**

A47J 37/042; A47J 37/06; A47J 37/0688;
A47J 37/1295; F24C 15/10; F24C 15/12;
F24C 15/14; F24C 15/16; F24C 15/168;
F24C 15/18

(71) Applicants: **Chris Dorion**, South Pittsburg, TN
(US); **Kelly Peterson**, South Pittsburg,
TN (US)

See application file for complete search history.

(72) Inventors: **Chris Dorion**, South Pittsburg, TN
(US); **Kelly Peterson**, South Pittsburg,
TN (US)

(56) **References Cited**

(73) Assignee: **Loçge Manufacturing Company**,
South Pittsburg, TN (US)

U.S. PATENT DOCUMENTS

(**) Term: **15 Years**

D436,001	S	*	1/2001	Rae	D7/394
D444,346	S	*	7/2001	Rae	D7/394
D477,180	S	*	7/2003	Burton	D7/394
D494,808	S	*	8/2004	Thomkins	D7/394
D496,555	S	*	9/2004	Rommelfanger	D7/360
D503,307	S	*	3/2005	Thomkins	D7/394
D536,924	S	*	2/2007	Levy	D7/393
D537,294	S	*	2/2007	Levy	D7/393
D548,518	S	*	8/2007	Rae	D7/394
D548,519	S	*	8/2007	Rae	D7/394

(21) Appl. No.: **29/695,555**

(22) Filed: **Jun. 20, 2019**

(51) **LOC (13) Cl.** **07-99**

(52) **U.S. Cl.**
USPC **D7/354**

(58) **Field of Classification Search**
USPC D6/523, 546, 550, 518-522, 566, 683;
D34/35, 39; D23/303; D30/133;
D4/122, 125, 199; D32/3, 25, 39;
D8/300, 303, 315; D15/79, 85, 89;
D21/523, 524, 525; D3/304, 306, 315;
D9/434, 435, 456, 455; D7/323, 328,
D7/330, 332, 335-337, 354, 355,
D7/359-364, 387, 390, 393, 394, 395,
D7/402, 407, 408, 409, 381, 383
CPC .. B65F 1/125; B65F 1/06; B65F 1/068; B65F
1/141; B65F 1/1646; B65F 1/16; B65F
2210/1026; B65F 2210/13; B65F
2210/132; B65F 2210/146; B65F
2210/181; B65F 2210/136; A45F
2005/025; A45F 2005/027; A47K
2010/3253; A47K 2010/3233; A47K
10/22; A47K 10/3836; A47K 10/16;
A47K 10/3812; A01K 5/00; A21B 2/00;
A21B 3/00; A21B 3/13; A21B 3/15;
A23N 12/08; A23N 12/10; A47J 27/04;
A47J 37/04; A47J 37/041; A47J 37/00;

(Continued)

Primary Examiner — Catherine S Posthauer

(74) *Attorney, Agent, or Firm* — Miller & Martin PLLC;
Stephen J. Stark

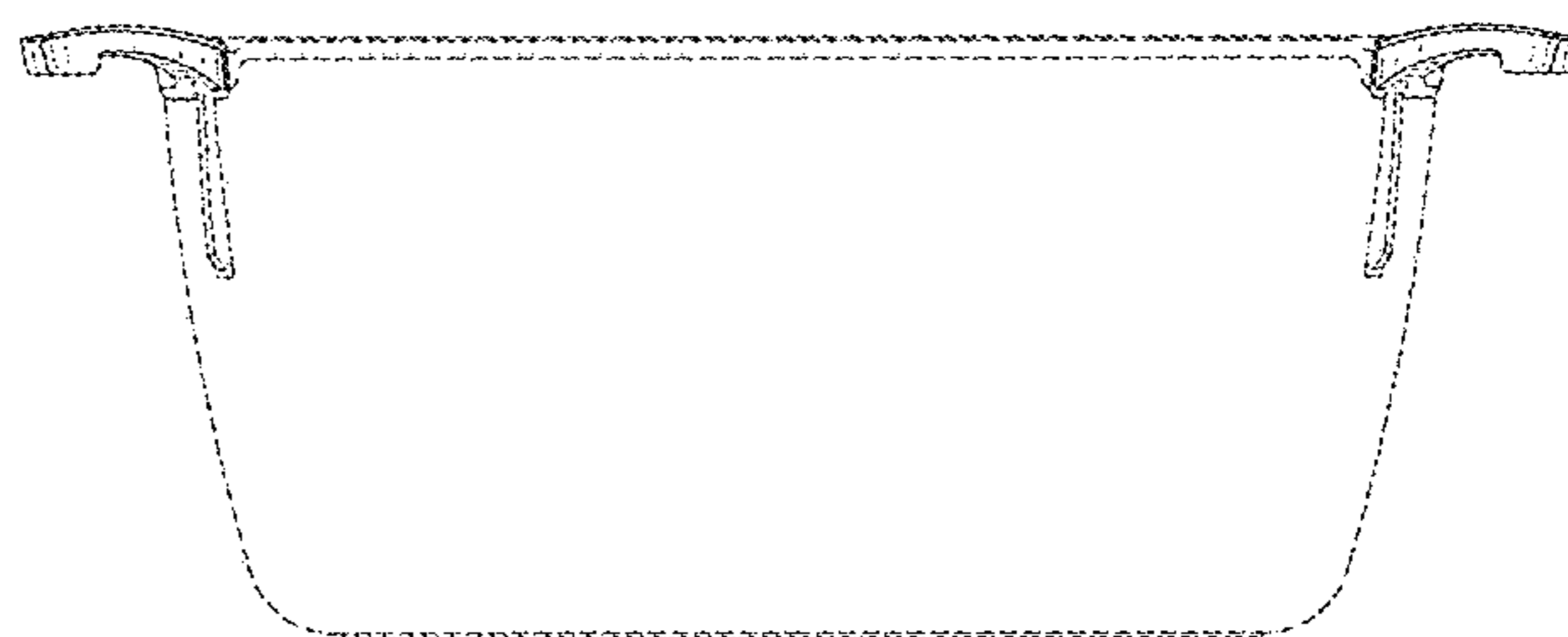
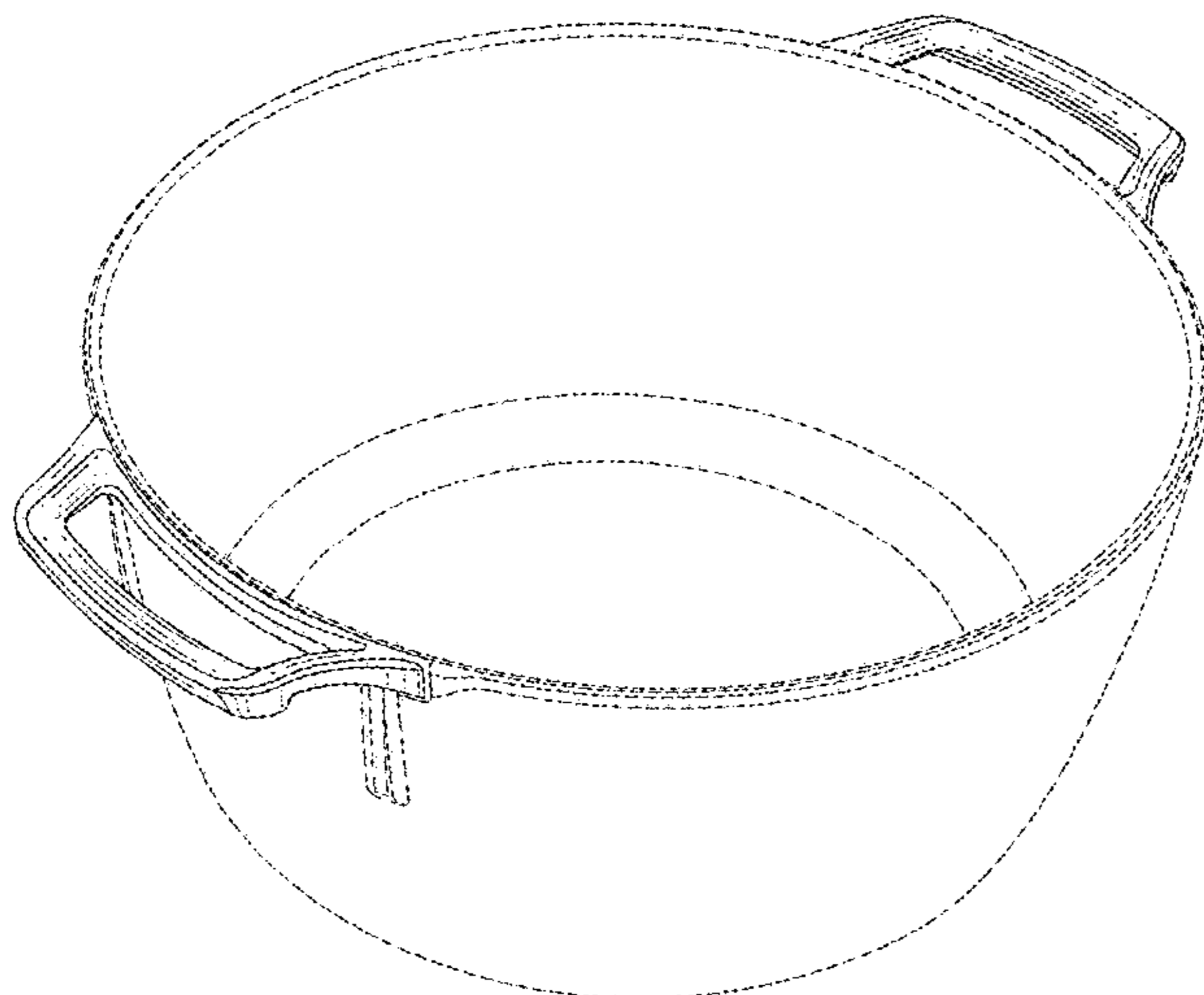
(57) **CLAIM**

The ornamental design for pot handles, as is shown and described.

DESCRIPTION

FIG. 1 is a perspective view of pot handles, showing our new design, in a position of use with exemplary environmental subject matter of a pot;
FIG. 2 is a top plan view thereof;
FIG. 3 is a left side elevational view thereof;
FIG. 4 is a right side elevational view thereof;
FIG. 5 is a front side elevational view thereof;
FIG. 6 is a rear side elevational view thereof; and,
FIG. 7 is a bottom plan view thereof.
The broken lines are shown for the purpose of illustrating environmental subject matter of an exemplary pot and form no part of the claim.

1 Claim, 7 Drawing Sheets



(56)

References Cited

U.S. PATENT DOCUMENTS

D565,890 S *	4/2008	Bunting	D7/394	D704,988 S *	5/2014	Rae	D7/394
D567,580 S *	4/2008	Rae	D7/394	D704,992 S *	5/2014	Rae	D7/394
D576,446 S *	9/2008	Rae	D7/394	D704,993 S *	5/2014	Rae	D7/394
D578,346 S *	10/2008	Rae	D7/394	D704,994 S *	5/2014	Clabots	D7/394
D579,266 S *	10/2008	Hsiao	D7/394	D704,995 S *	5/2014	Rae	D7/394
D584,105 S *	1/2009	Moulin Robson	D7/394	D705,596 S *	5/2014	Rae	D7/394
D617,137 S *	6/2010	Tetreault	D7/394	D706,077 S *	6/2014	Wright	D7/394
D642,427 S *	8/2011	Rae	D7/394	D709,321 S *	7/2014	Rae	D7/394
D642,428 S *	8/2011	Rae	D7/394	D728,994 S *	5/2015	Barberi	D7/394
D644,482 S *	9/2011	Groll	D7/394	D728,996 S *	5/2015	Barberi	D7/394
D658,000 S *	4/2012	Cheng	D7/394	D728,998 S *	5/2015	Barberi	D7/394
D664,805 S *	8/2012	Rae	D7/394	D740,602 S *	10/2015	Barberi	D7/394
D666,867 S *	9/2012	Rae	D7/394	D740,603 S *	10/2015	Barberi	D7/394
D667,685 S *	9/2012	Rae	D7/394	D749,355 S *	2/2016	Steiner	D7/394
D693,634 S *	11/2013	Lee	D7/394	D812,967 S *	3/2018	Narvaez Lopez	D7/394
D702,080 S *	4/2014	Lee	D7/394	D814,859 S *	4/2018	Kastner	D7/394
D704,000 S *	5/2014	Clabots	D7/394	D826,637 S *	8/2018	Thurlow	D7/409
					D852,575 S *	7/2019	Jamison	D7/394
					D883,730 S *	5/2020	Demers	D7/354

* cited by examiner

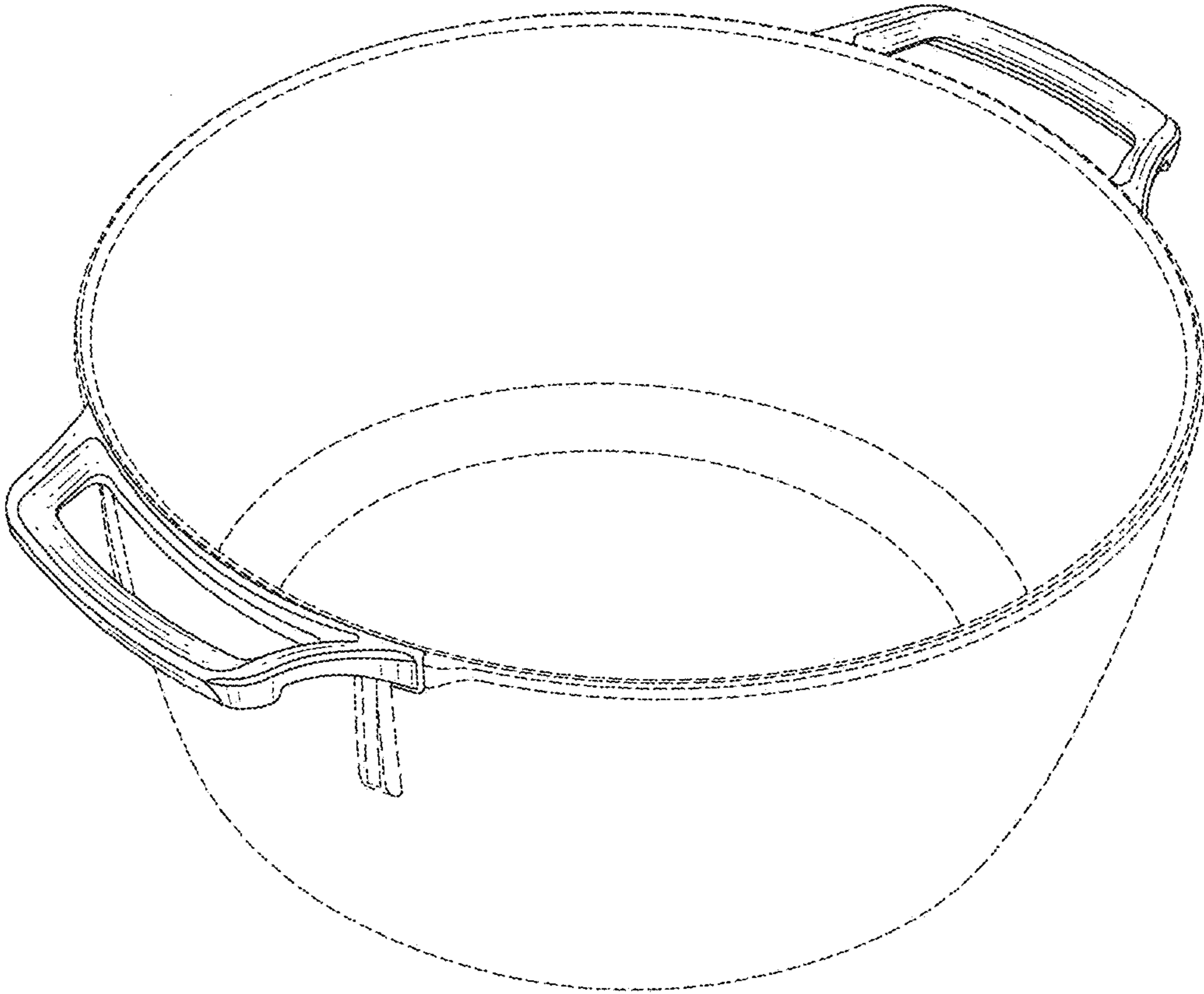


FIG. 1

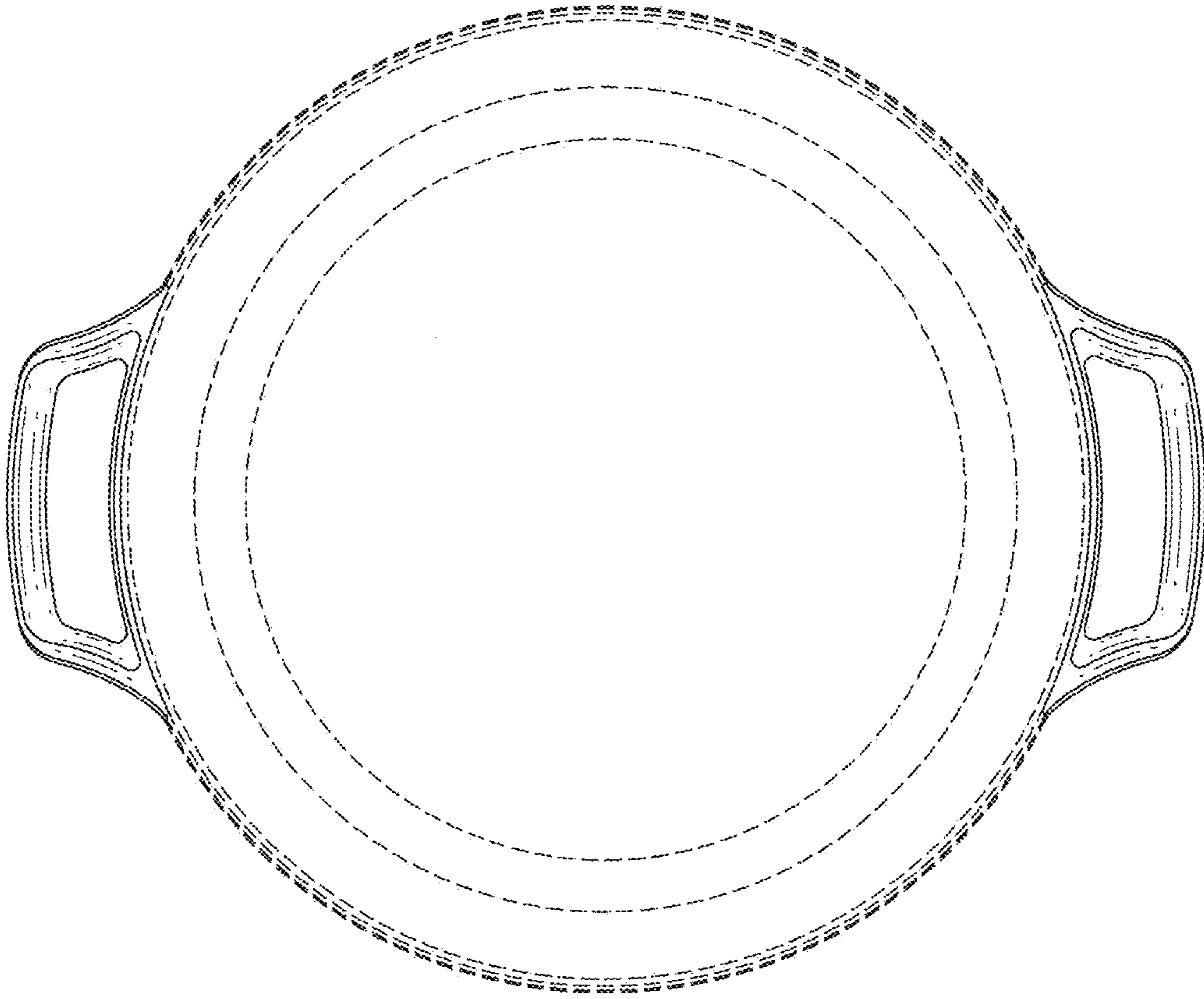


FIG. 2

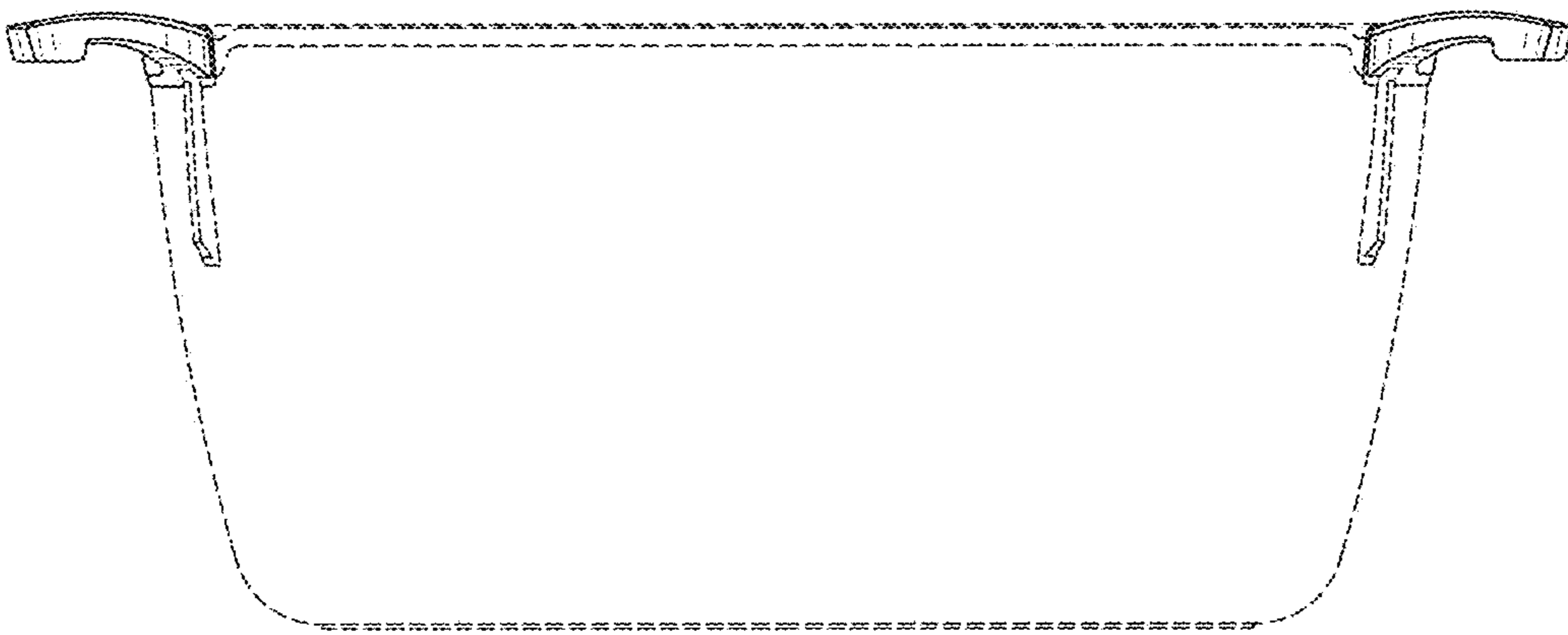


FIG. 3

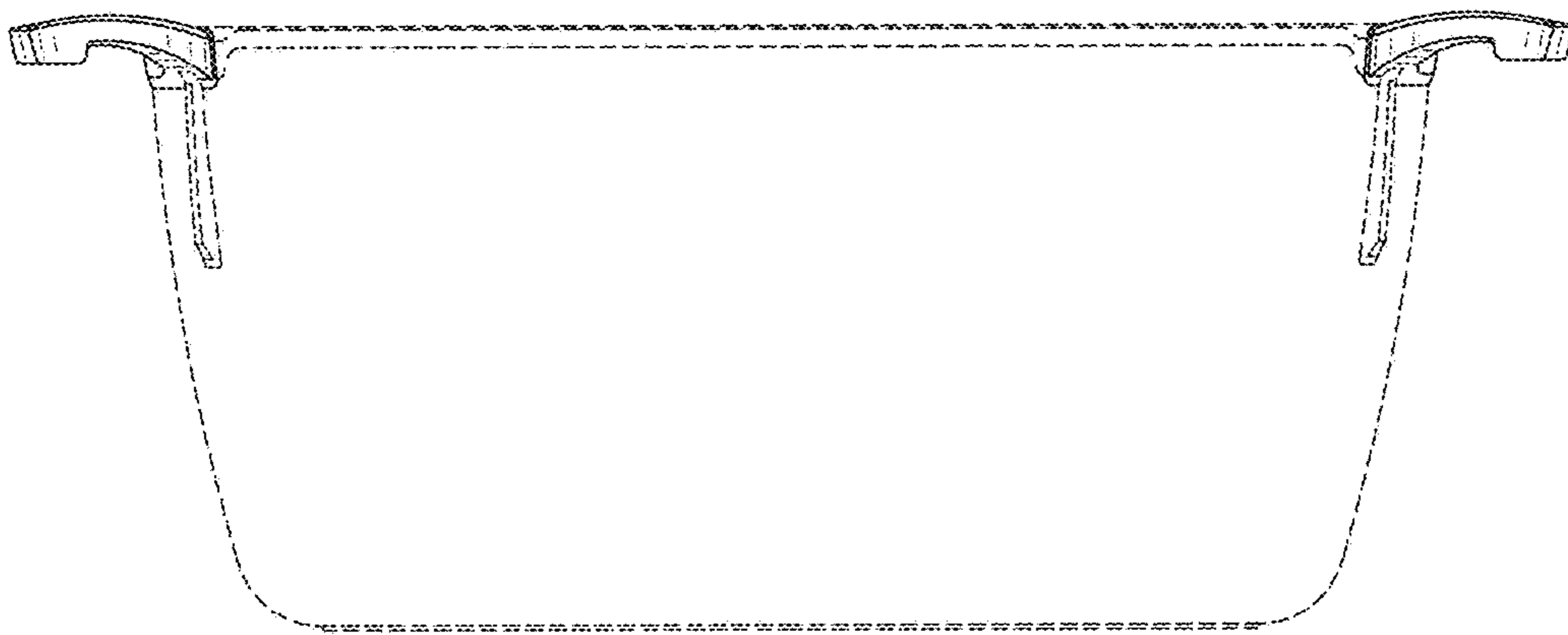


FIG. 4

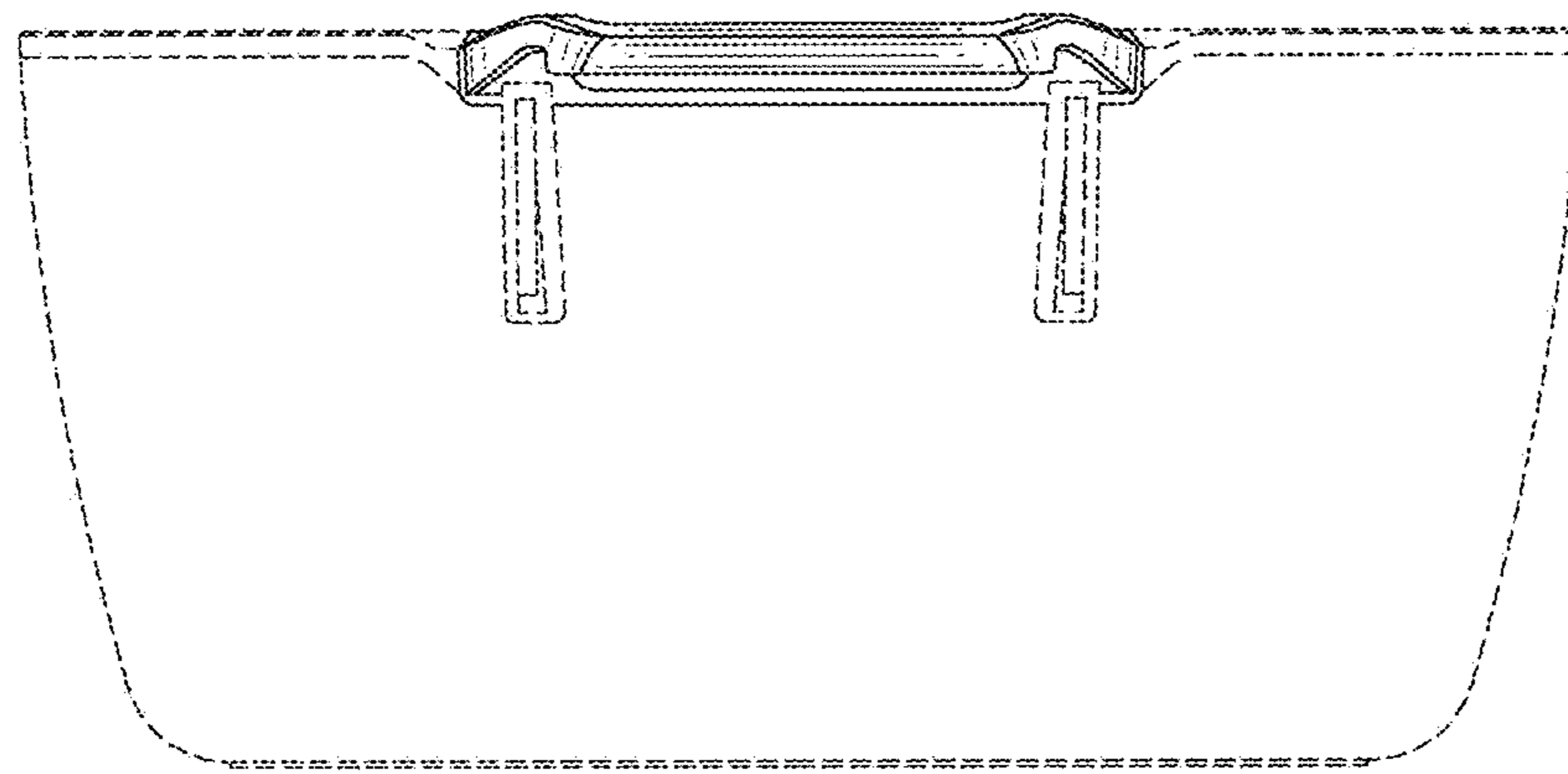


FIG. 5

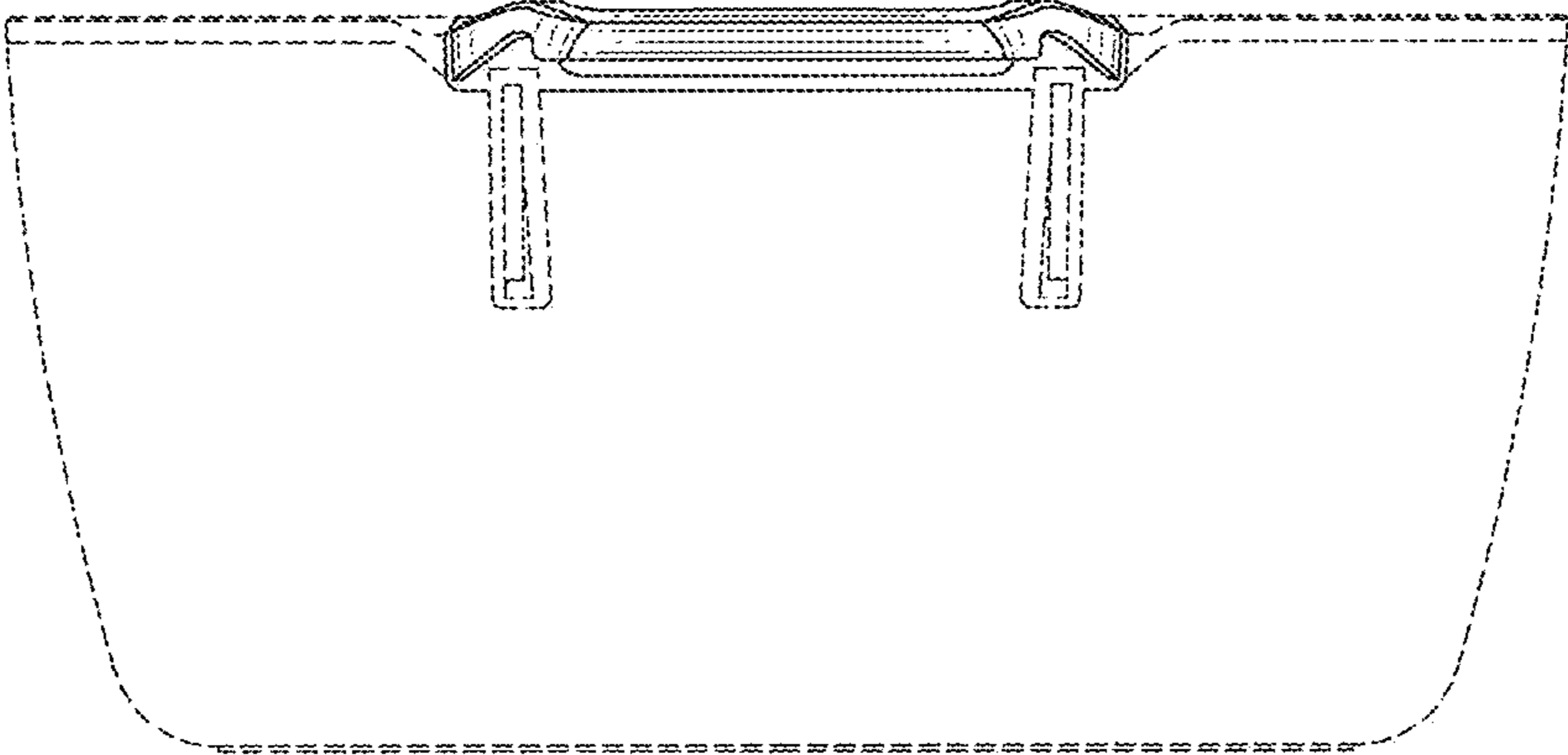


FIG. 6

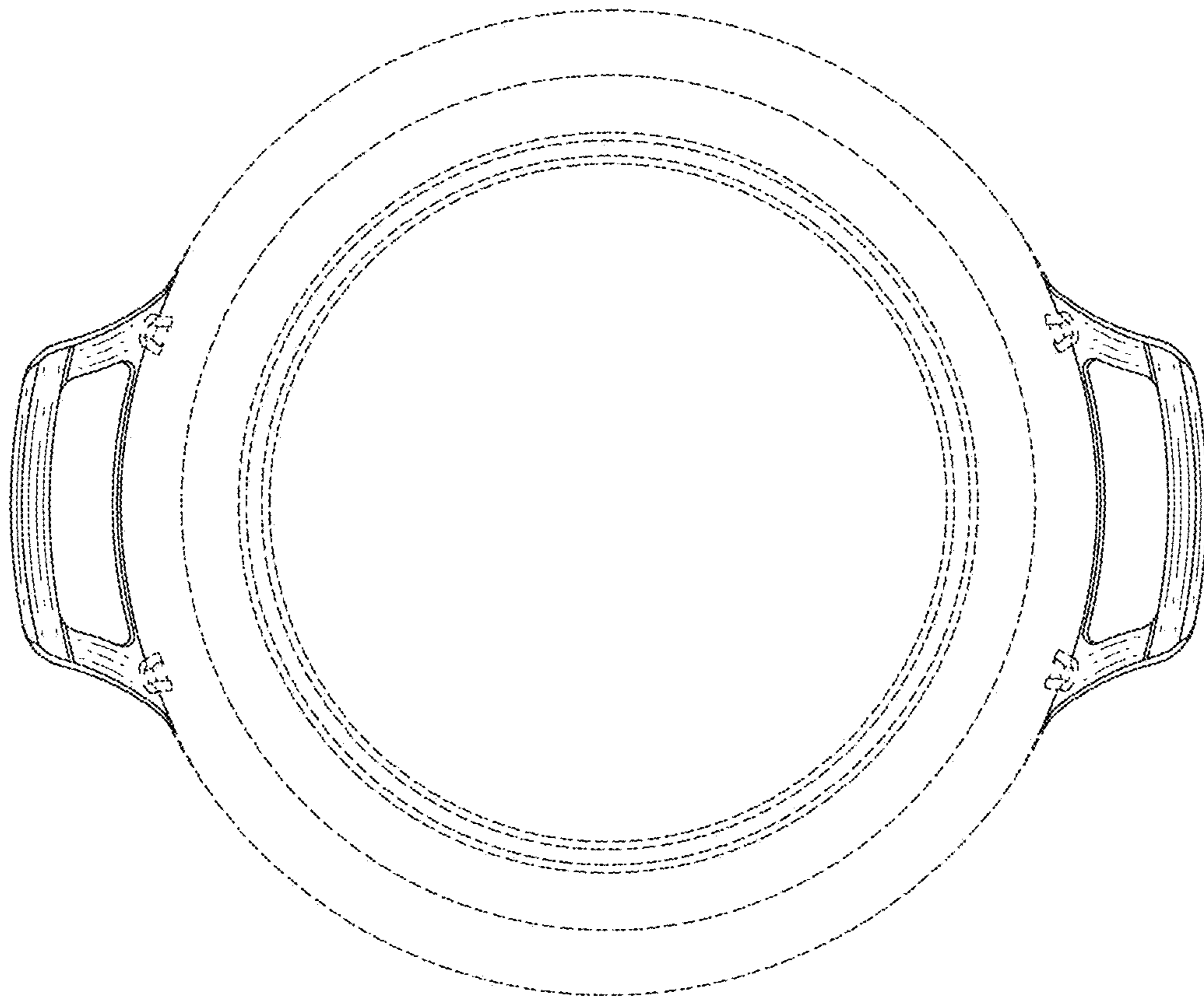


FIG. 7