



US00D919350S

(12) **United States Design Patent**
Kim et al.

(10) **Patent No.:** **US D919,350 S**

(45) **Date of Patent:** **** May 18, 2021**

(54) **OVEN**

(71) Applicant: **LG ELECTRONICS INC.**, Seoul (KR)

(72) Inventors: **Sooyeon Kim**, Seoul (KR); **Hongsik Kwon**, Seoul (KR); **Suhyeon Son**, Seoul (KR); **Inhwan Ryu**, Seoul (KR); **Songyi Han**, Seoul (KR)

(73) Assignee: **LG Electronics Inc.**, Seoul (KR)

(**) Term: **15 Years**

(21) Appl. No.: **35/507,967**

(22) Filed: **Jun. 4, 2019**

(80) **Hague Agreement Data**

Int. Filing Date: **Jun. 4, 2019**
Int. Reg. No.: **DM/204069**
Int. Reg. Date: **Jun. 4, 2019**
Int. Reg. Pub. Date: **Dec. 6, 2019**

(51) **LOC (13) Cl.** **07-02**

(52) **U.S. Cl.**
USPC **D7/349**

(58) **Field of Classification Search**
USPC D7/323, 339, 347, 348, 349, 350.1,
D7/350.3, 351, 405
CPC .. H05B 1/0261; H05B 1/0263; H05B 1/0266;
F24C 3/00; F24C 3/002; F24C 3/008;
F24C 5/00; F24C 7/00; F24C 15/02;
F24C 15/024

See application file for complete search history.

(56) **References Cited**

U.S. PATENT DOCUMENTS

D580,698 S * 11/2008 Kim D7/348
D646,112 S * 10/2011 Park D7/348
D646,113 S * 10/2011 Park D7/348

D750,414 S * 3/2016 Funnell, II D7/348
D762,086 S * 7/2016 Kim D7/405
D762,415 S * 8/2016 Chung D7/405
D770,839 S * 11/2016 Shoemaker D7/349
D779,262 S * 2/2017 Kim D7/348
D787,879 S * 5/2017 Kim D7/348
D789,740 S * 6/2017 Shoemaker D7/406
D814,231 S * 4/2018 Kim D7/349
D840,185 S * 2/2019 Kim D7/349
D846,349 S * 4/2019 Funnell, II D7/406
D852,580 S * 7/2019 Kim D7/405
D853,188 S * 7/2019 Kim D7/405
D876,159 S * 2/2020 Kim D7/405

OTHER PUBLICATIONS

Thermador Professional Series 30" Convection Professional Wall Oven PO301W. Undated; one page. Found online Oct. 19, 2020 at <https://www.ebay.com/> . . . (see printed copy for full url) (Year: 2020).*

* cited by examiner

Primary Examiner — Robert M. Spear
(74) *Attorney, Agent, or Firm* — Birch, Stewart, Kolasch & Birch, LLP

(57) **CLAIM**

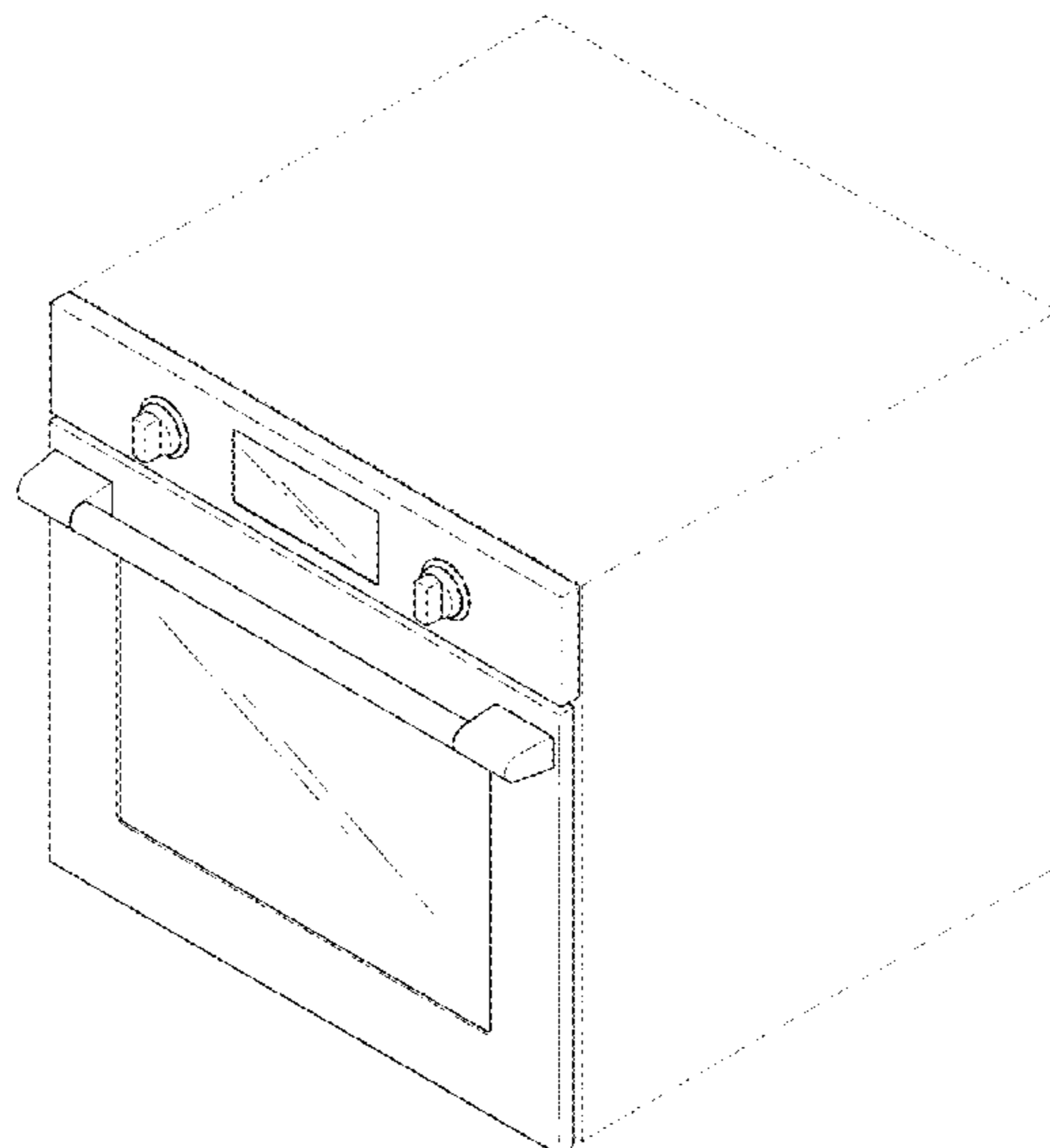
The ornamental design for an oven, as shown and described.

DESCRIPTION

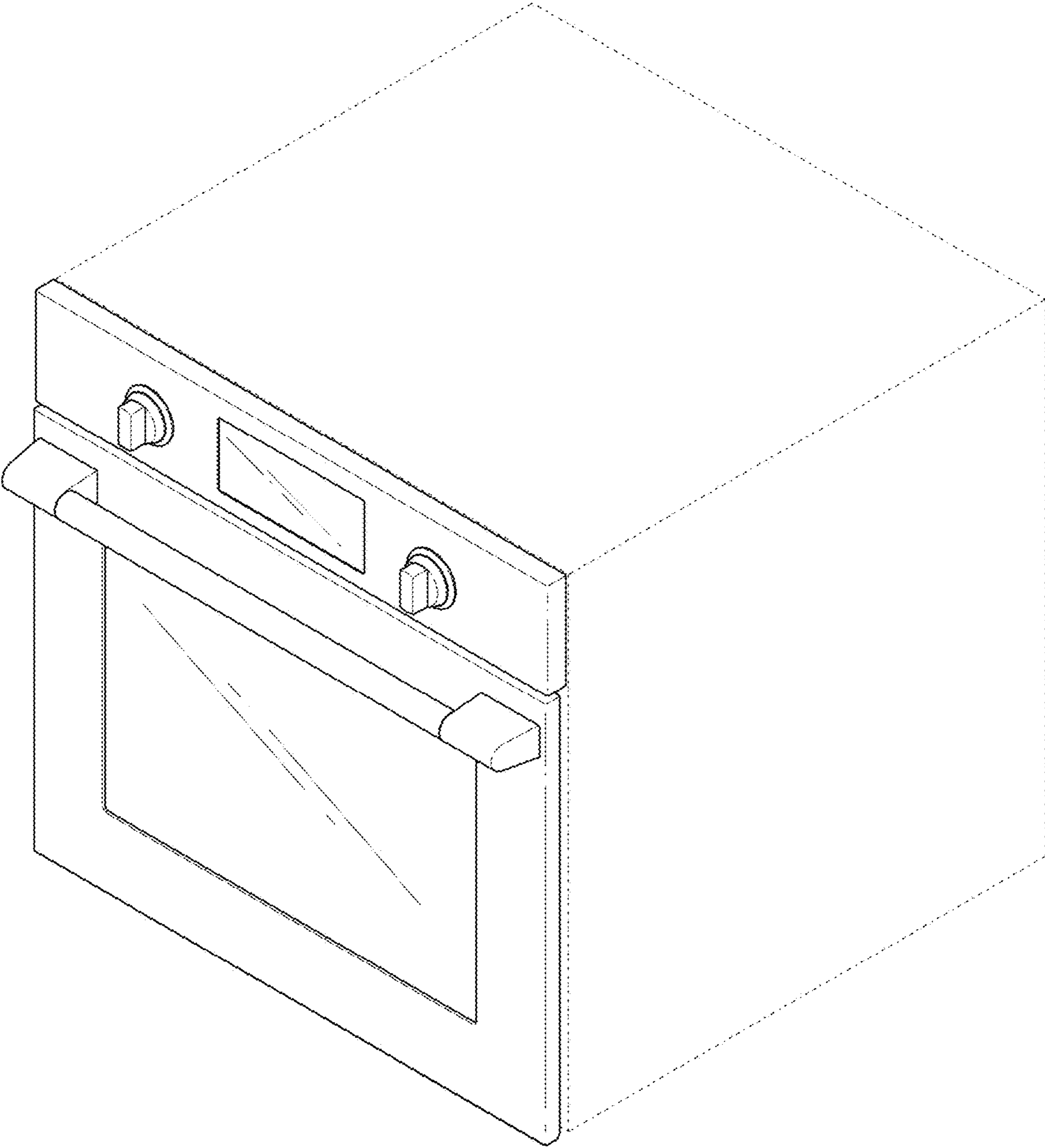
- 1. Oven
- 1.1 : Perspective
- 1.2 : Front
- 1.3 : Back
- 1.4 : Left
- 1.5 : Right
- 1.6 : Top
- 1.7 : Bottom

The broken lines indicate portions of the article that form no part of the claimed design.

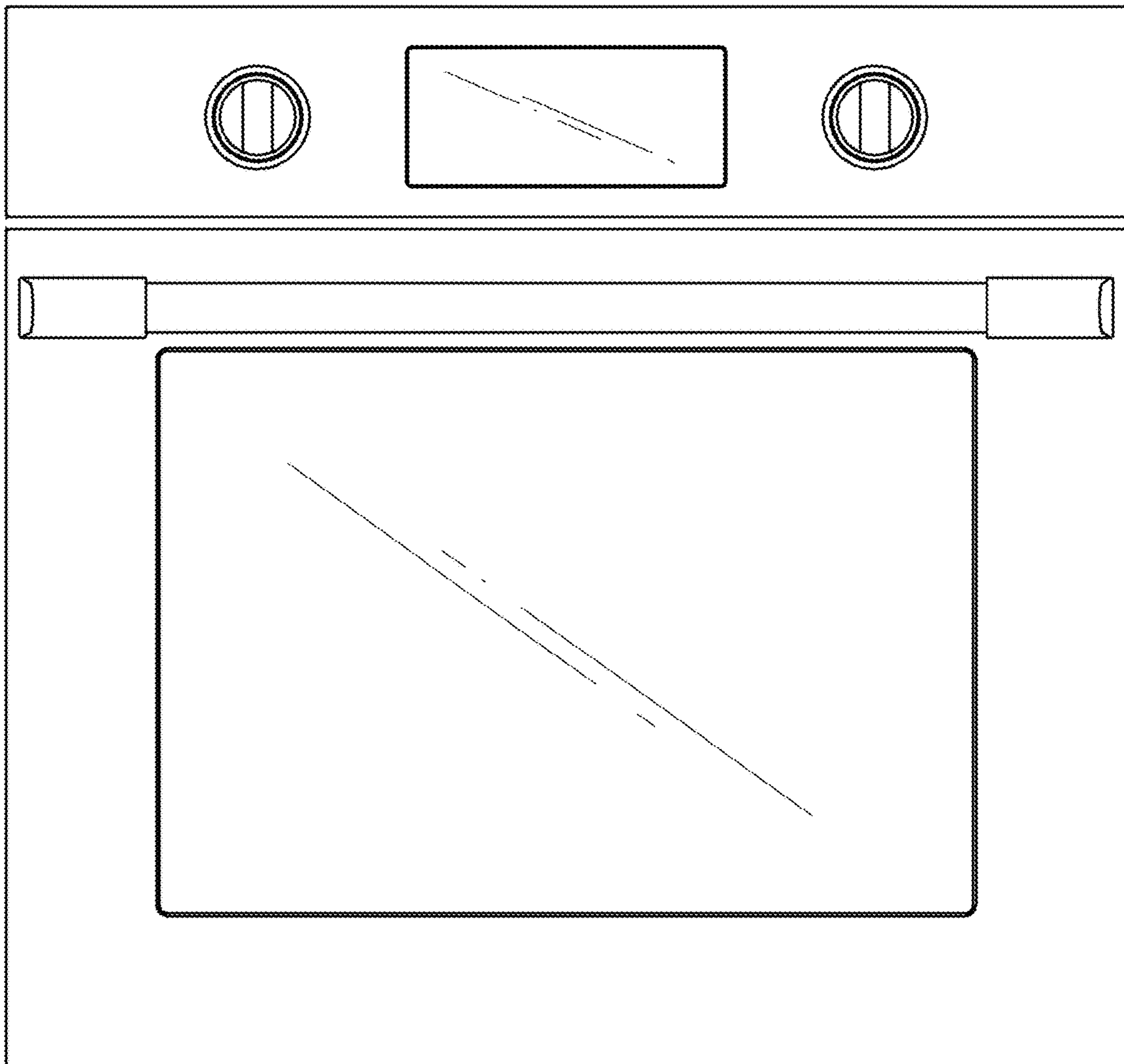
1 Claim, 7 Drawing Sheets



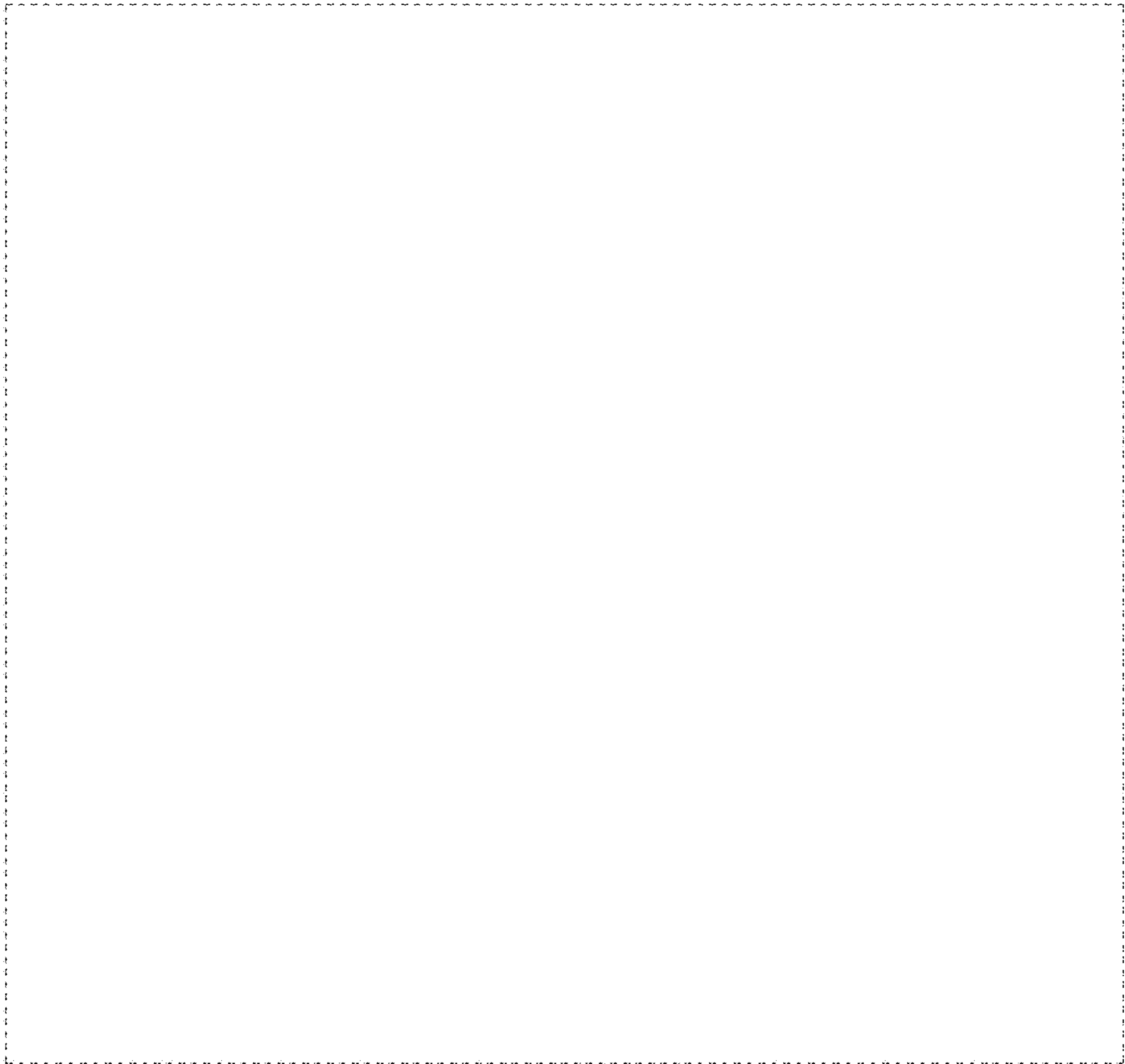
1.1



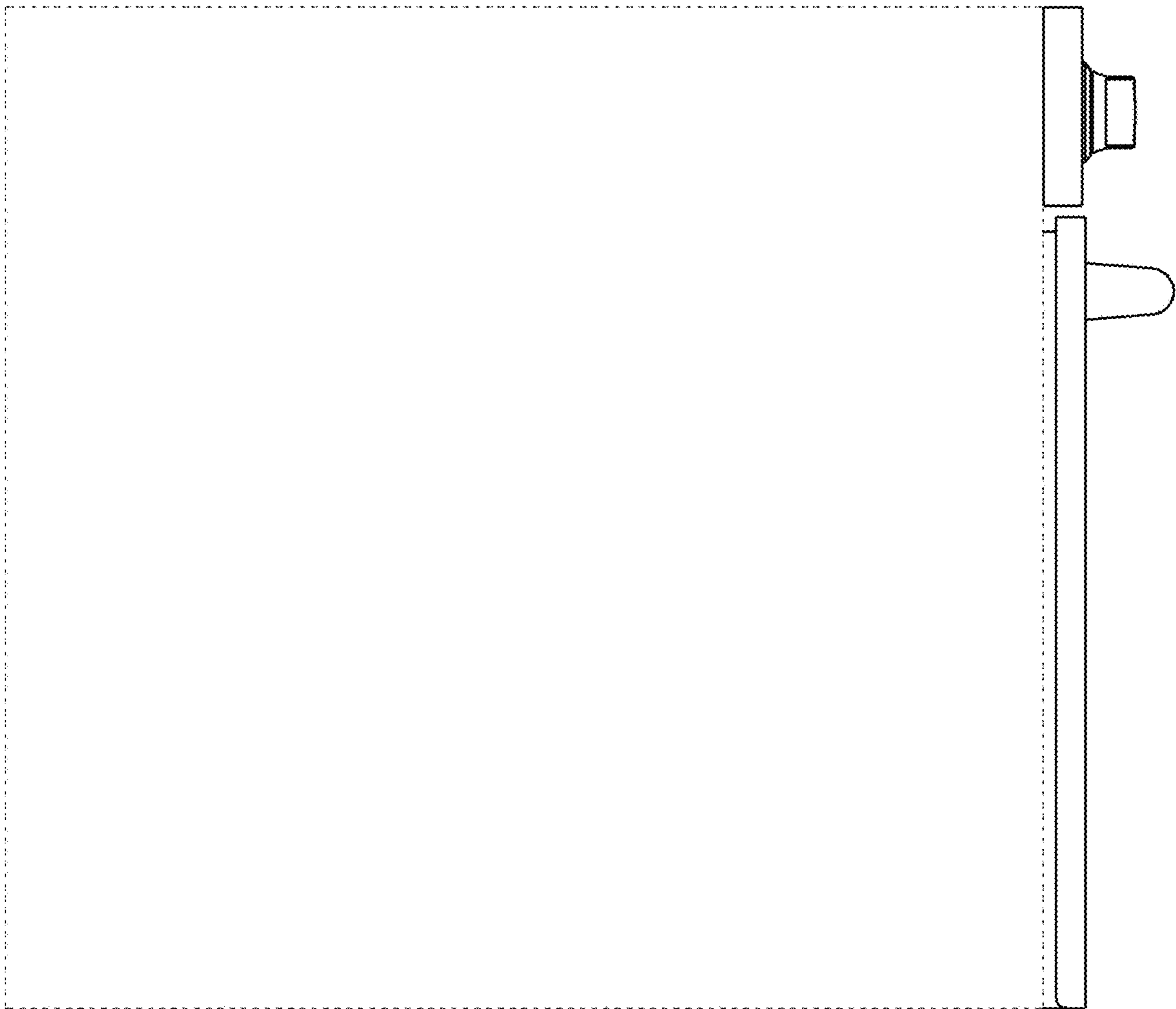
1.2



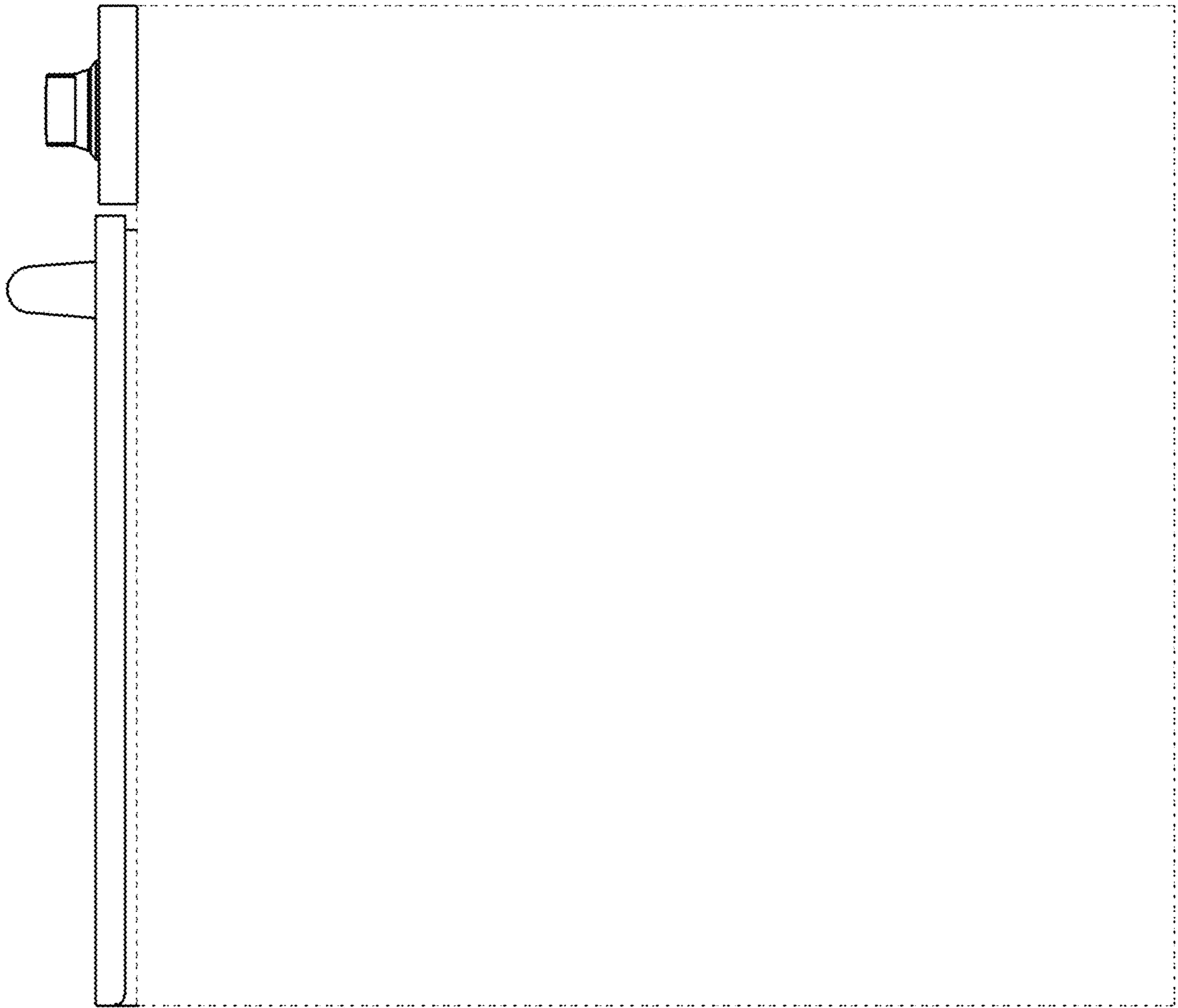
1.3



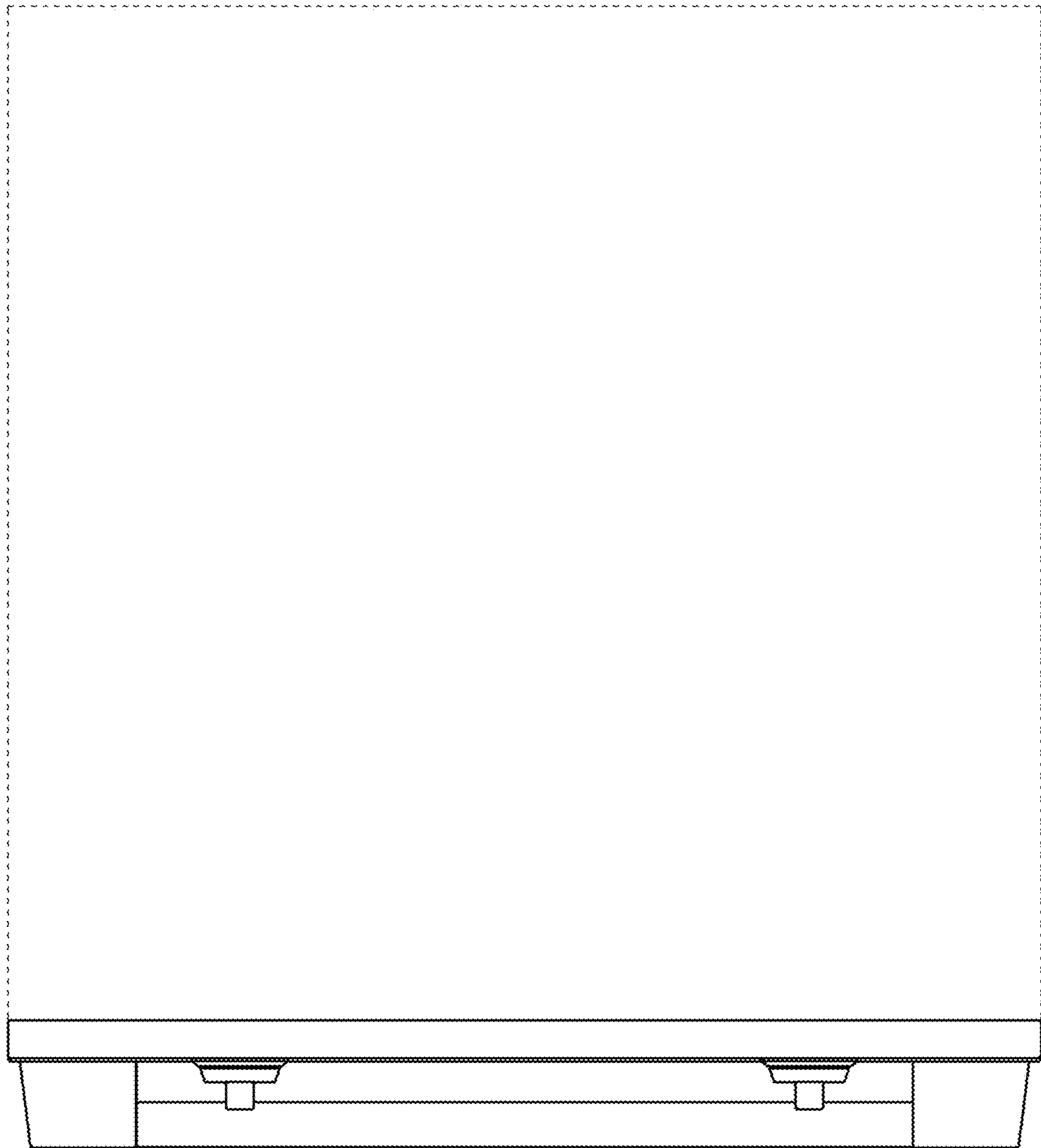
1.4



1.5



1.6



1.7

