



US00D919349S

(12) **United States Design Patent**  
**Ryu et al.**

(10) **Patent No.:** **US D919,349 S**

(45) **Date of Patent:** **\*\* May 18, 2021**

(54) **OVEN RANGE**

(71) Applicant: **LG ELECTRONICS INC.**, Seoul (KR)

(72) Inventors: **Inhwan Ryu**, Seoul (KR); **Sooyeon Kim**, Seoul (KR); **Hongsik Kwon**, Seoul (KR); **Songyi Han**, Seoul (KR); **Suhyeon Son**, Seoul (KR)

(73) Assignee: **LG Electronics Inc.**, Seoul (KR)

(\*\*) Term: **15 Years**

(21) Appl. No.: **35/509,155**

(22) Filed: **Oct. 23, 2019**

(80) **Hague Agreement Data**

Int. Filing Date: **Oct. 23, 2019**

Int. Reg. No.: **DM/204767**

Int. Reg. Date: **Oct. 23, 2019**

Int. Reg. Pub. Date: **Apr. 24, 2020**

(30) **Foreign Application Priority Data**

Apr. 25, 2019 (KR) ..... 30-2019-0019694

(51) **LOC (13) Cl.** ..... **07-02**

(52) **U.S. Cl.**  
USPC ..... **D7/340**

(58) **Field of Classification Search**

USPC ... D7/339, 340, 341, 348, 350.1–350.4, 351, D7/402

CPC .... F24C 15/024; F24C 15/162; F24C 15/022; F24C 15/00

See application file for complete search history.

(56) **References Cited**

**U.S. PATENT DOCUMENTS**

D541,577 S \* 5/2007 Kim ..... D7/340  
D542,079 S \* 5/2007 Kim ..... D7/340

D623,889 S \* 9/2010 Kim ..... D7/340  
D642,419 S \* 8/2011 Kim ..... D7/340  
D653,900 S \* 2/2012 Kim ..... D7/340  
D685,602 S \* 7/2013 Lee ..... D7/340  
D700,469 S \* 3/2014 Reay ..... D7/340  
D710,644 S \* 8/2014 Kim ..... D7/340  
D786,608 S \* 5/2017 Cho ..... D7/340  
D787,254 S \* 5/2017 Cho ..... D7/340  
D793,149 S \* 8/2017 Lee ..... D7/340  
D862,167 S \* 10/2019 Choi ..... D7/406  
D871,823 S \* 1/2020 Choi ..... D7/340  
D889,185 S \* 7/2020 Kim ..... D7/340

\* cited by examiner

*Primary Examiner* — Michael A. Pratt

(74) *Attorney, Agent, or Firm* — Birch, Stewart, Kolasch & Birch, LLP

(57) **CLAIM**

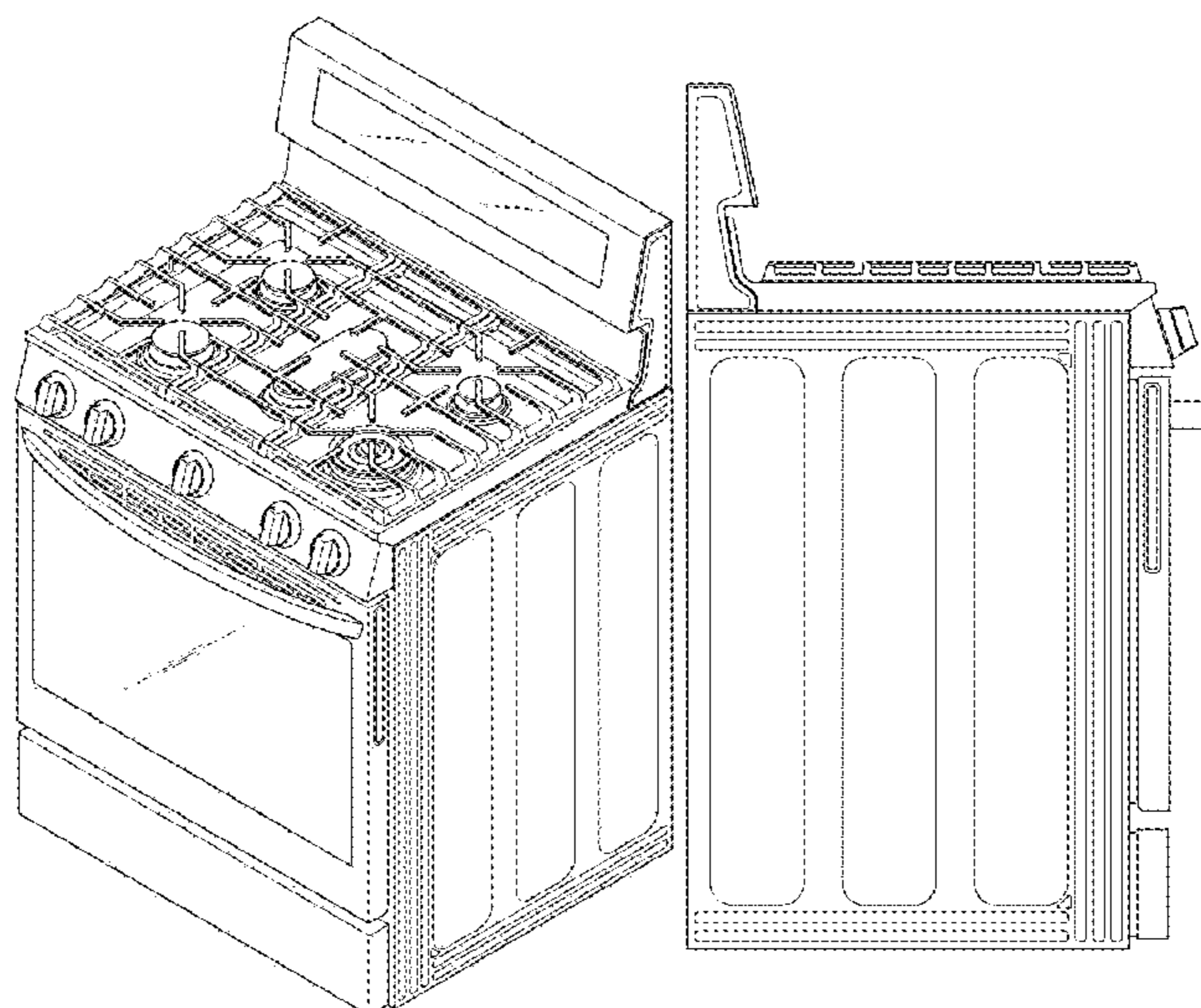
The ornamental design for an oven range, as shown and described.

**DESCRIPTION**

- 1. Oven range
- 1.1 : Perspective
- 1.2 : Front
- 1.3 : Back
- 1.4 : Left
- 1.5 : Right
- 1.6 : Top
- 1.7 : Bottom
- 1.8 : Reference

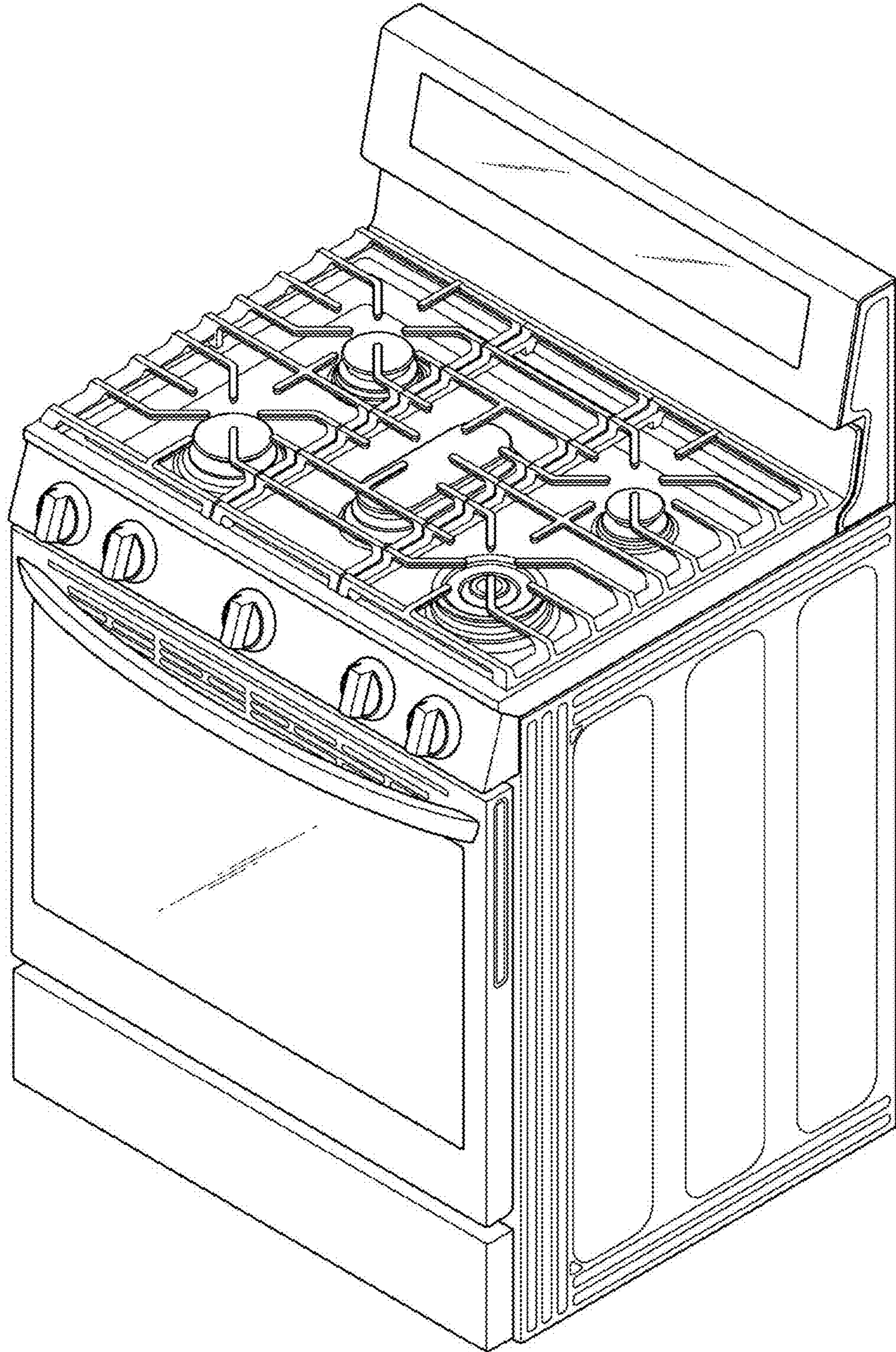
Reproduction 1.8 is a reference view showing a state of the front surface glass door changed into the so-called “see-through door” by means of a sensor for detecting approach of and/or contact of person, and forms no part of the claimed design.

**1 Claim, 8 Drawing Sheets**

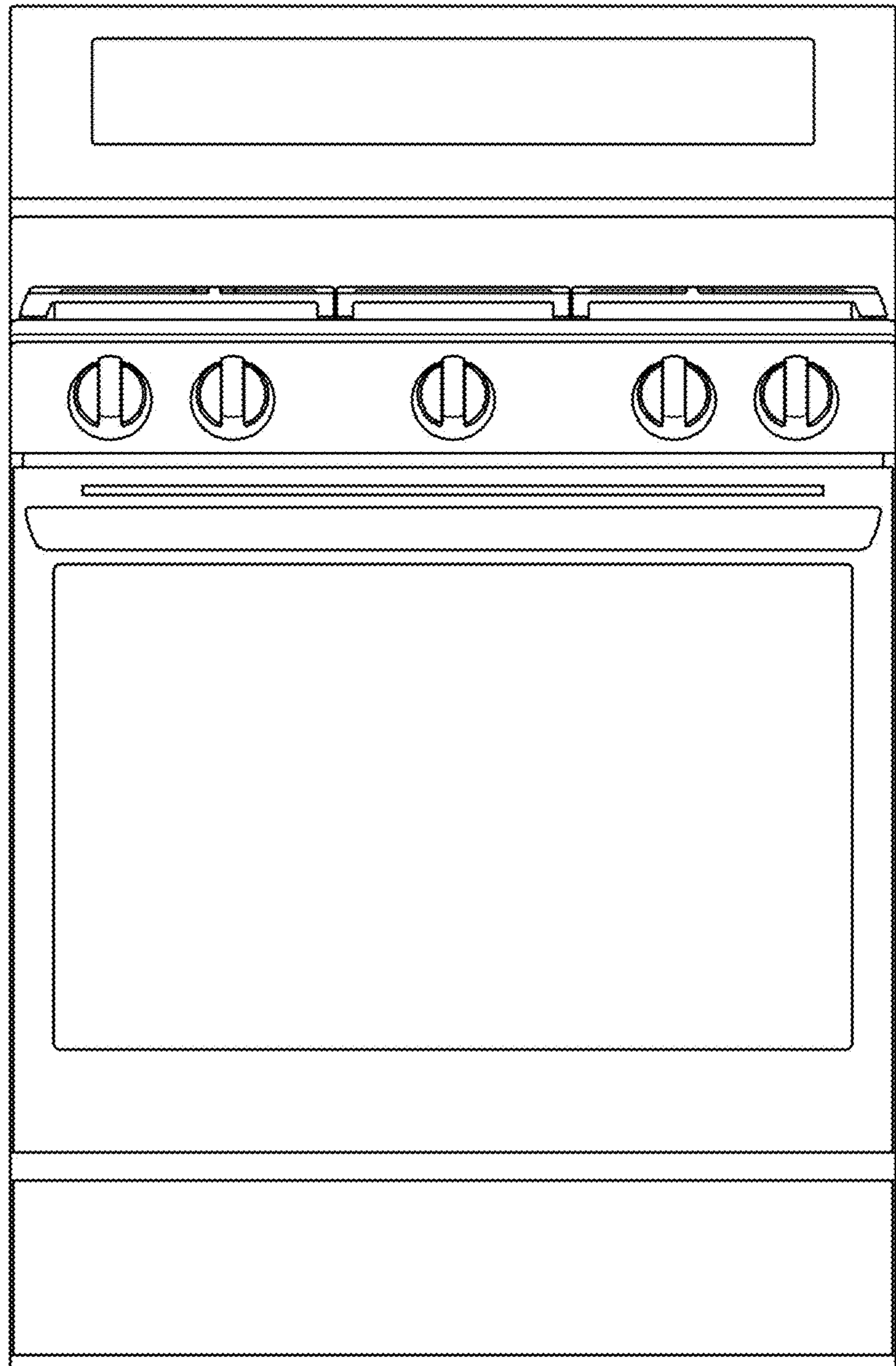




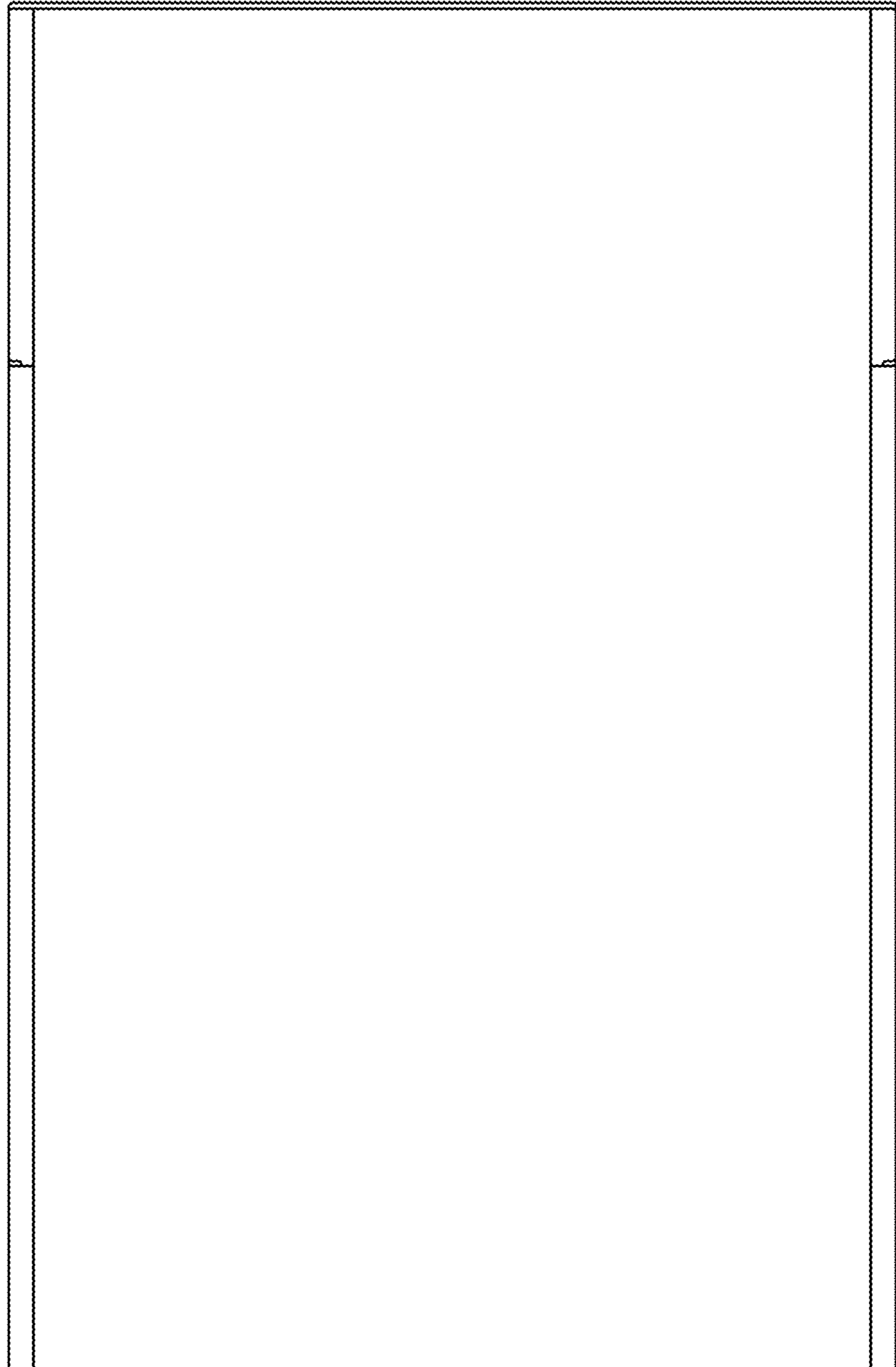
1.1



1.2

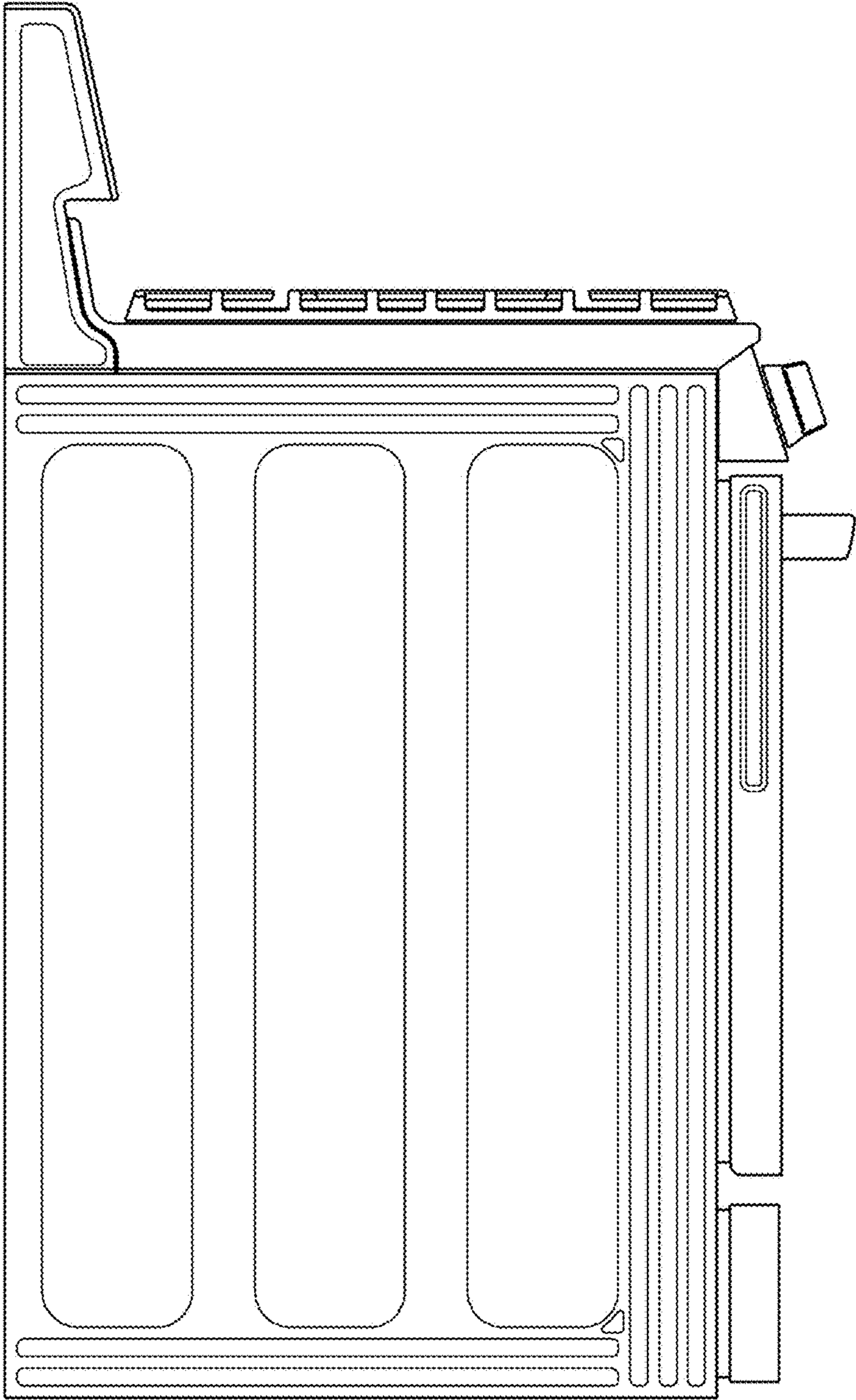


1.3

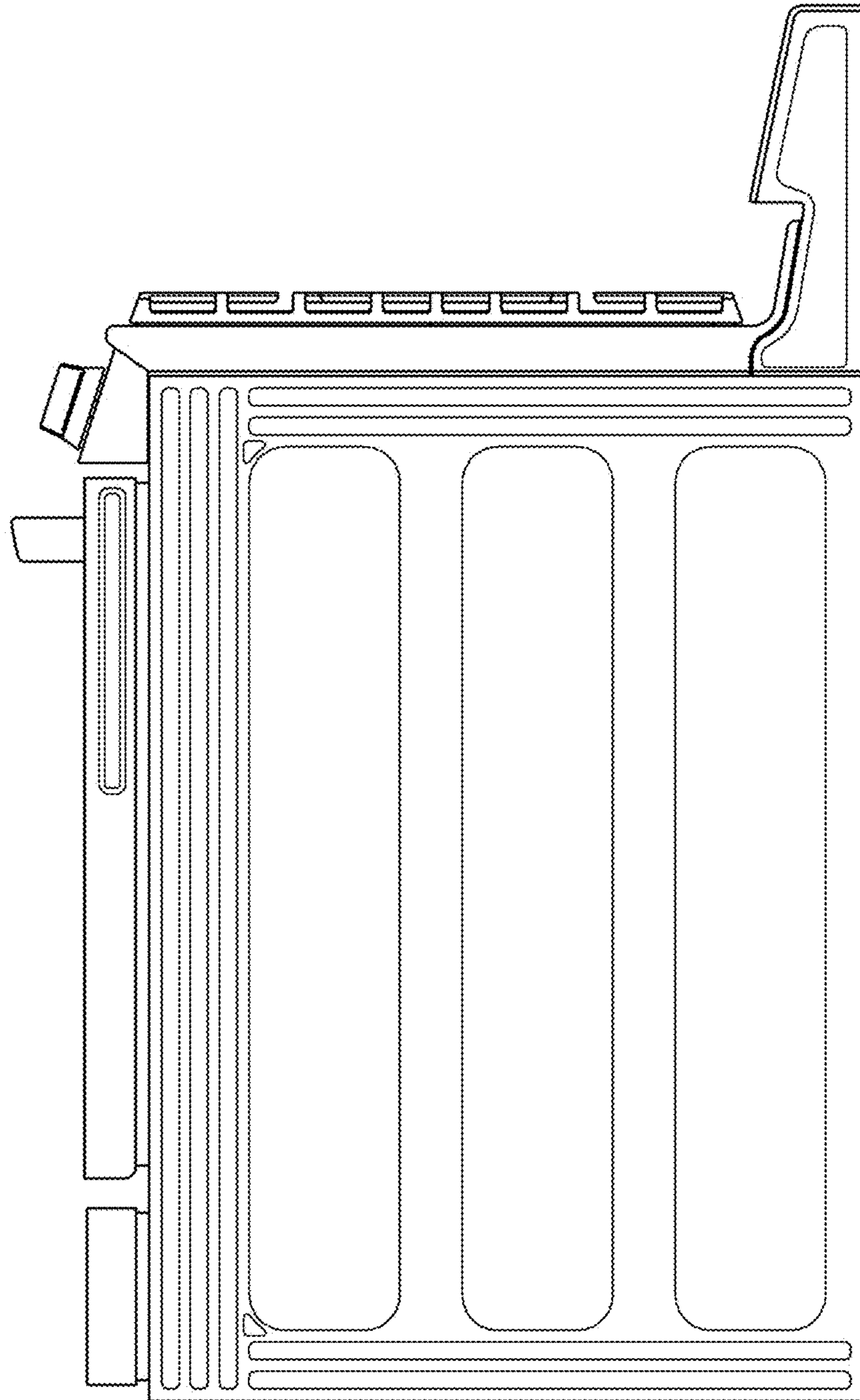




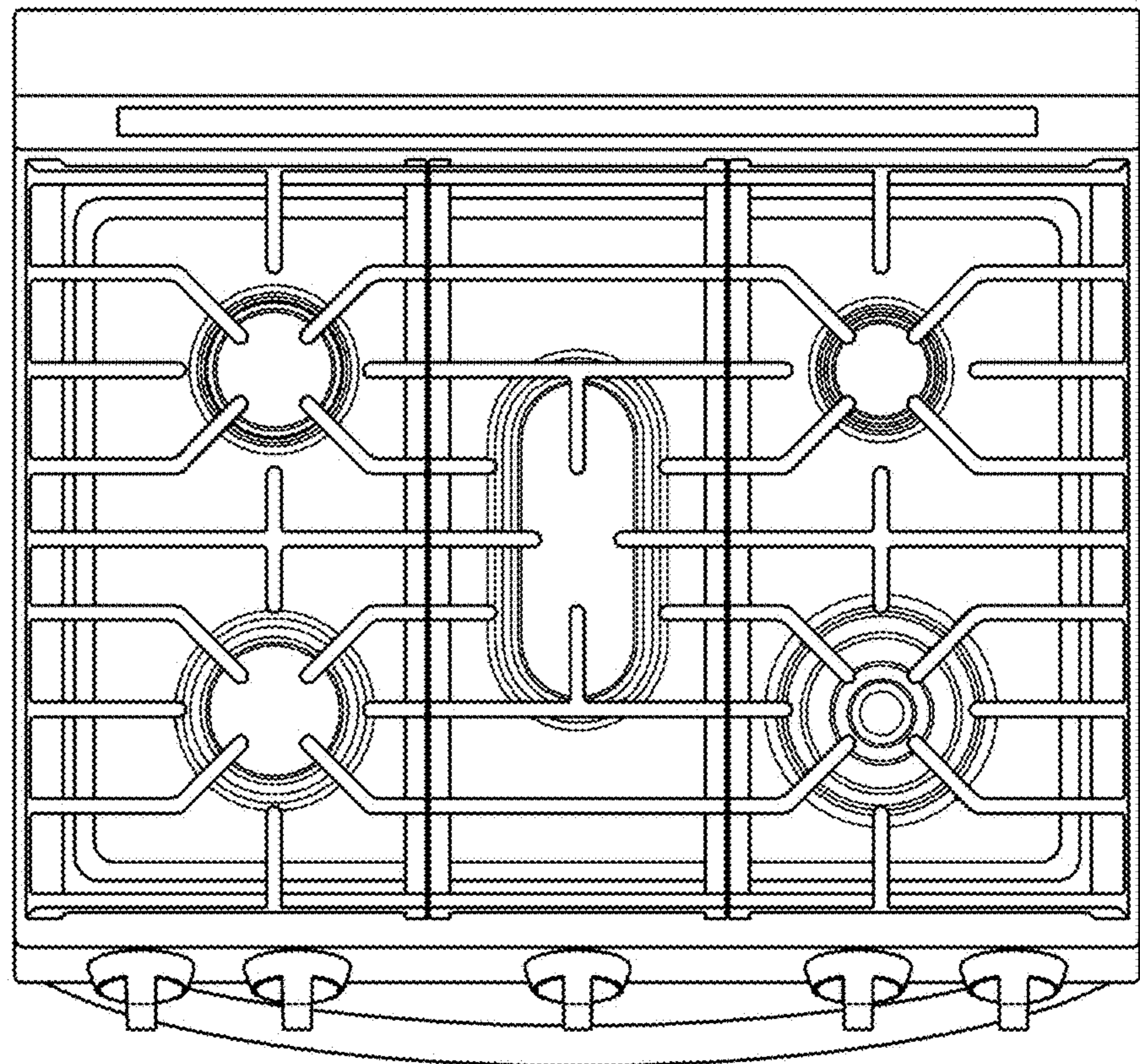
1.4



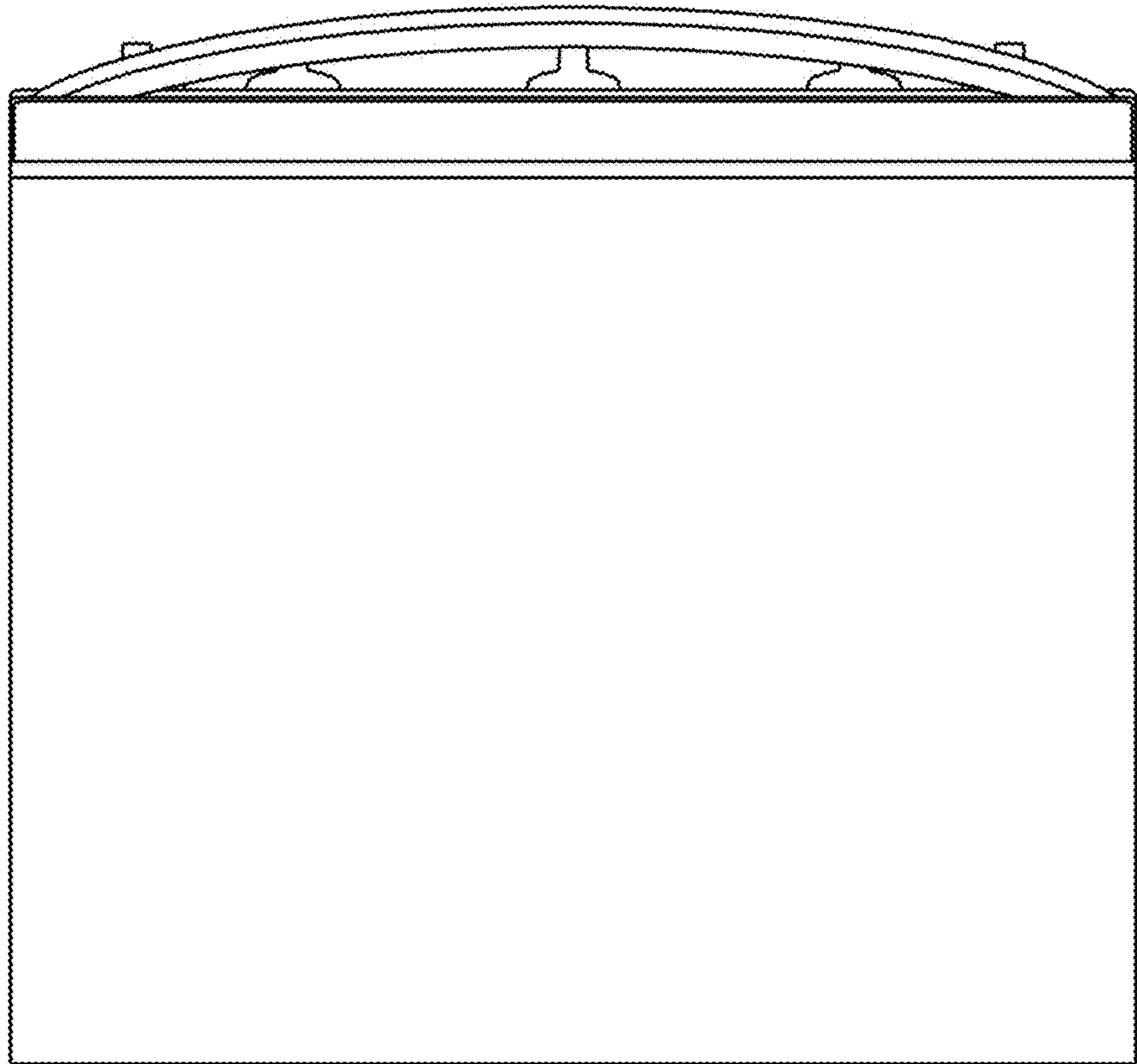
1.5



1.6



1.7





1.8

