



US00D919347S

(12) **United States Design Patent**
Kaidash

(10) **Patent No.:** **US D919,347 S**

(45) **Date of Patent:** **** May 18, 2021**

(54) **SMOKING GUN**

(71) Applicant: **Sergii Kaidash**, Sunrise, FL (US)

(72) Inventor: **Sergii Kaidash**, Sunrise, FL (US)

(**) Term: **15 Years**

(21) Appl. No.: **29/704,402**

(22) Filed: **Sep. 4, 2019**

(51) **LOC (13) Cl.** **31-00**

(52) **U.S. Cl.**

USPC **D7/323**

(58) **Field of Classification Search**

USPC D7/306, 309, 323, 326, 327, 338, 372,
D7/373, 374, 375, 376, 377, 378, 379,
D7/380, 381, 382, 383, 384, 385, 386,
D7/402, 412, 413, 598, 602, 612, 629,
D7/694, 669, 679, 619.1

CPC .. A47J 43/04; A47J 43/25; A47J 43/27; A47J
43/042; A47J 43/044; A47J 43/046; A47J
43/075; A47J 43/0722; A47J 43/0727;
A47J 42/40; A21C 1/02; A21C 1/04;
A23G 9/045; A23N 1/00; A23N 1/02;
B01F 3/00; B01F 3/0807; B01F 3/0853;
B01F 13/0059; B01F 13/0064; B02C
1/08; B02C 4/42; B02C 4/142; B02C
4/143; B02C 4/423; B02C 13/1835; B28C
5/10; B28C 5/12; B28C 5/14; B28C 5/16

See application file for complete search history.

(56) **References Cited**

U.S. PATENT DOCUMENTS

D168,037 S * 10/1952 Karstadt D7/379
D322,009 S * 12/1991 Doggett D7/379
D372,162 S * 7/1996 Ivy D7/379
D395,572 S * 6/1998 Carroll D7/379
D489,936 S * 5/2004 Smith D7/379
D531,850 S * 11/2006 Wong D7/372
D533,021 S * 12/2006 Koszalinski D7/379
D551,494 S * 9/2007 Feil D7/379

D612,195 S * 3/2010 Liu D7/379
D780,536 S * 3/2017 Wong D7/678
D806,461 S * 1/2018 Upston D7/323
D809,330 S * 2/2018 Liu D7/373
D811,158 S * 2/2018 Yuan D7/372
D811,795 S * 3/2018 Upston D7/323
D900,532 S * 11/2020 Chen D7/381
D901,234 S * 11/2020 Li D7/379
2007/0195641 A1 * 8/2007 Schnipke A47J 43/0727
366/206
2014/0263783 A1 * 9/2014 Benoit A47J 43/06
241/100

(Continued)

OTHER PUBLICATIONS

Breville BSM600SIL Smoking Gun Food Smoker, announced Feb. 28, 2017 [online], retrieved Nov. 20, 2020, retrieved from internet, <https://www.amazon.com/Breville-BSM600SILUSC-Smoking-Smoker-Silver/dp/B072RCDQJS>.*

(Continued)

Primary Examiner — Dana K Weiland
Assistant Examiner — Messina L Smith
(74) *Attorney, Agent, or Firm* — Tatonetti IP

(57) **CLAIM**

I claim the ornamental design for a smoking gun, as shown and described.

DESCRIPTION

FIG. 1 is a perspective view of a smoking gun showing the new design;

FIG. 2 is a right side view thereof;

FIG. 3 is a left side view thereof;

FIG. 4 is a front side view thereof;

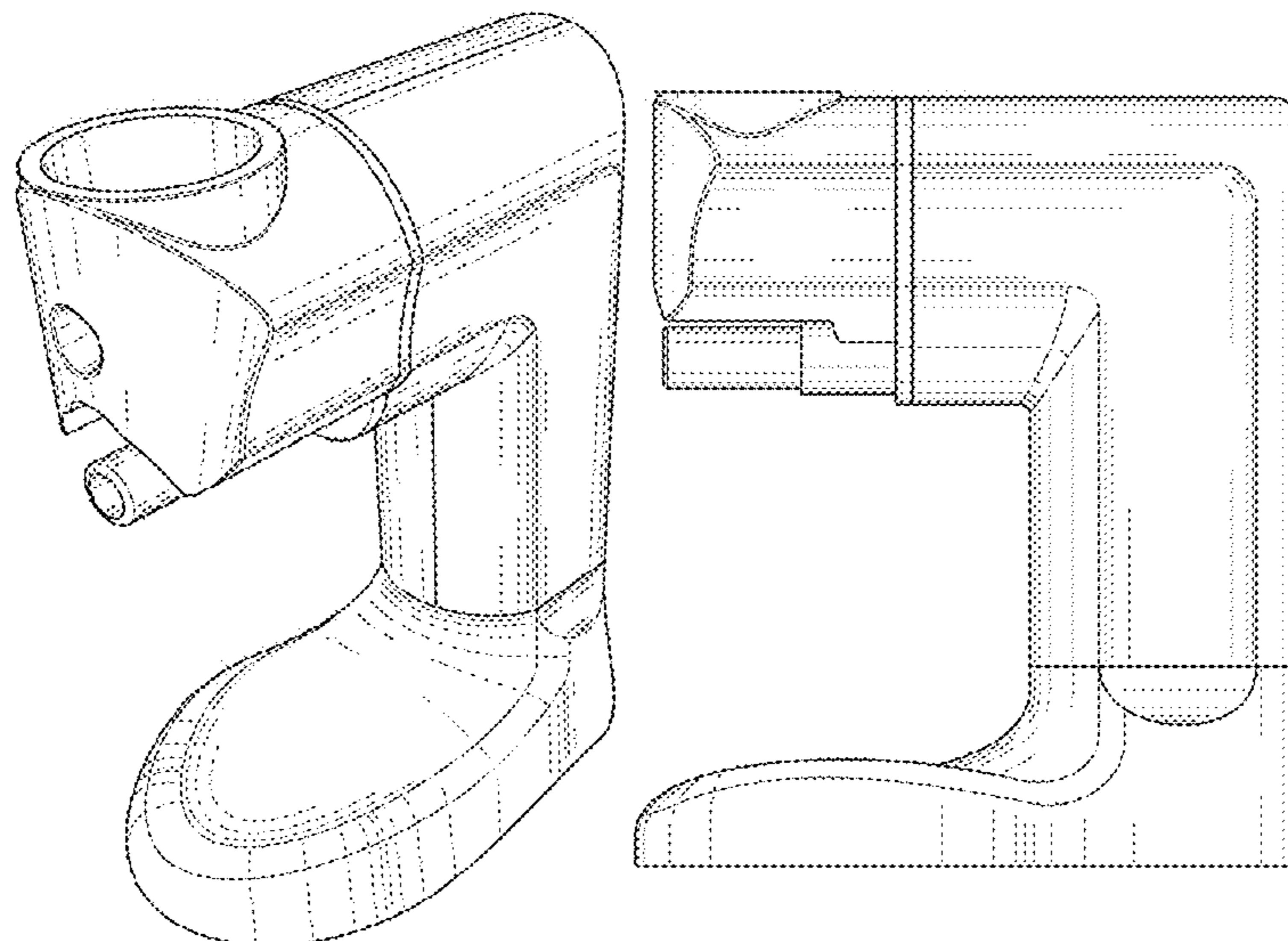
FIG. 5 is a rear side view thereof;

FIG. 6 is a top side view thereof; and,

FIG. 7 is a bottom side view thereof.

The broken lines in the figures depict portions of the smoking gun that form no part of the claimed design.

1 Claim, 7 Drawing Sheets



(56)

References Cited

U.S. PATENT DOCUMENTS

2015/0257433 A1* 9/2015 Benoit A47J 43/06
141/192

OTHER PUBLICATIONS

Smoking Gun Food Smoker, announced Sep. 27, 2019 [online],
retrieved Nov. 20, 2020, retrieved from internet, <https://www.amazon.com/Cocktails-Portable-Handheld-Generator-Included/dp/B07YFJWYNX>.*

Polyscience Smoking Gun, announced Feb. 6, 2015 [online], retrieved
Nov. 20, 2020, retrieved from internet, <https://reviews.cookistry.com/2015/02/polyscience-smoking-gun.html>.*

MITBAK Portable Handheld Cold Smoking Gun, announced Apr.
22, 2019 [online], retrieved Nov. 20, 2020, retrieved from internet,
<https://www.amazon.com/Portable-Handheld-Electric-Woodchips-Indoor-Outdoor/dp/B07M6GK7CR>.*

Homia Smoking Gun Wood Smoke Infuser, announced Aug. 22,
2019 [online], retrieved Nov. 20, 2020, retrieved from internet,
https://www.amazon.com/dp/B07S628R4S?tag=robbreport-20&linkCode=ogi&th=1&language=en_US.*

* cited by examiner

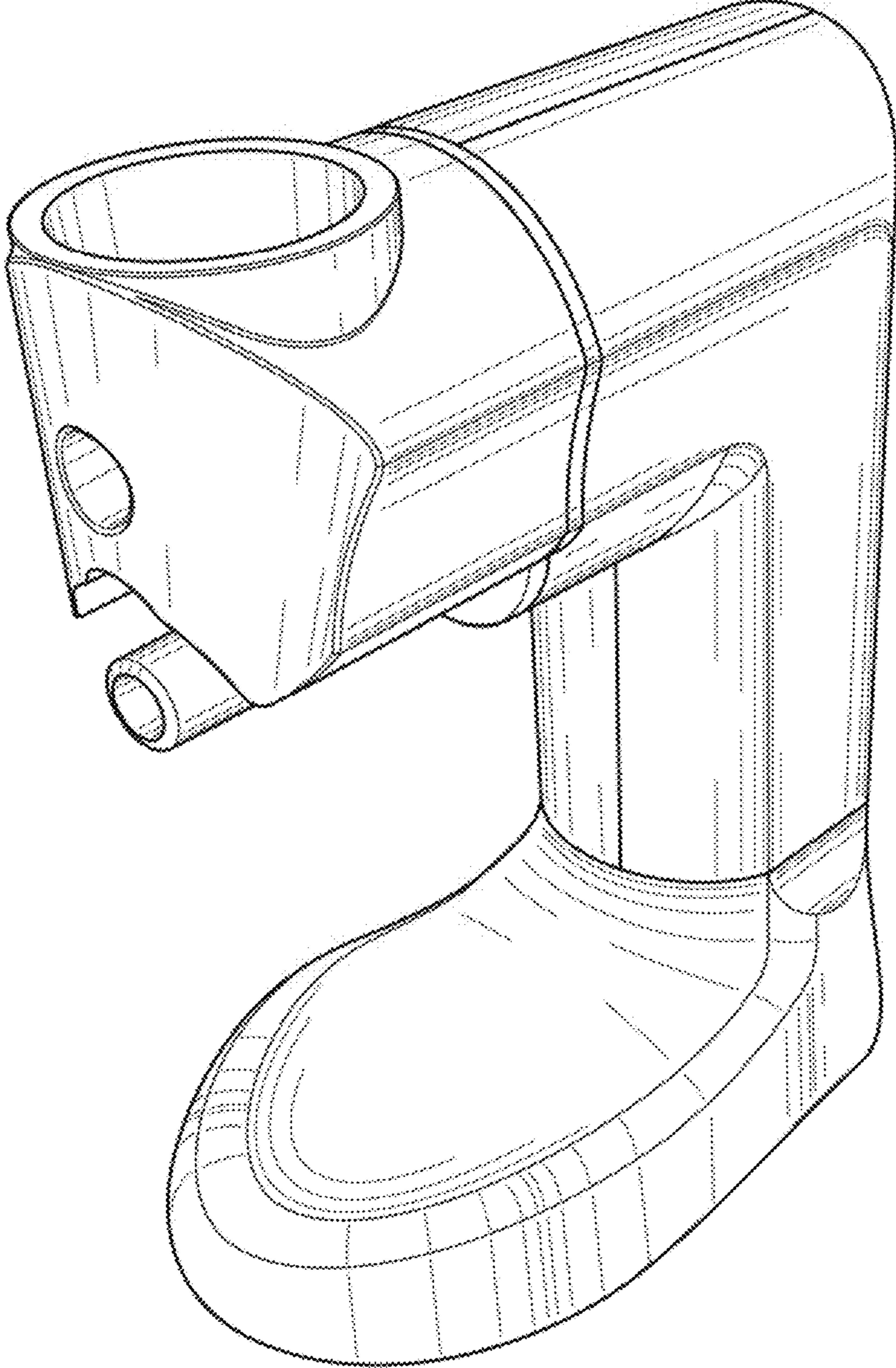


Fig. 1

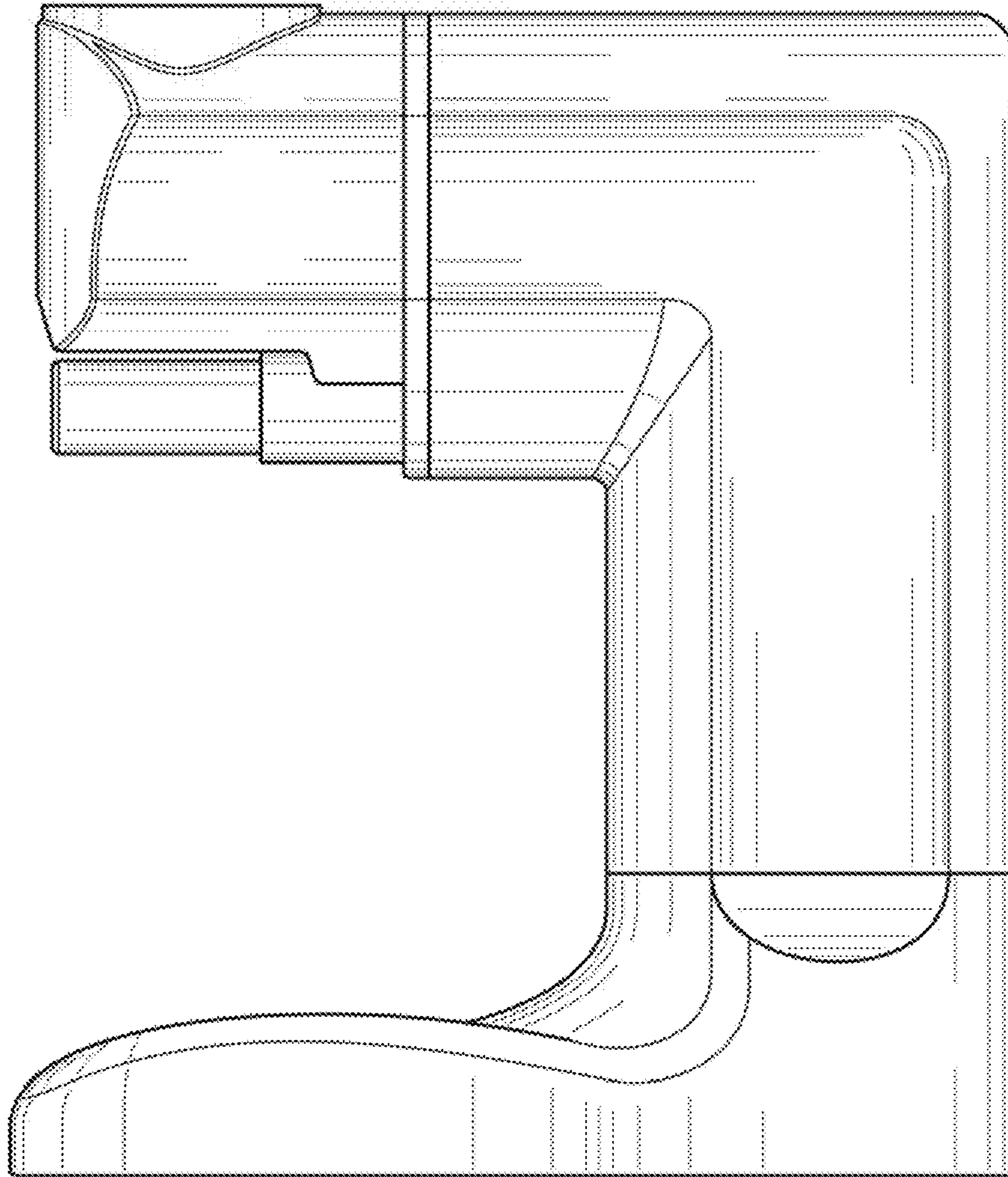


Fig. 2

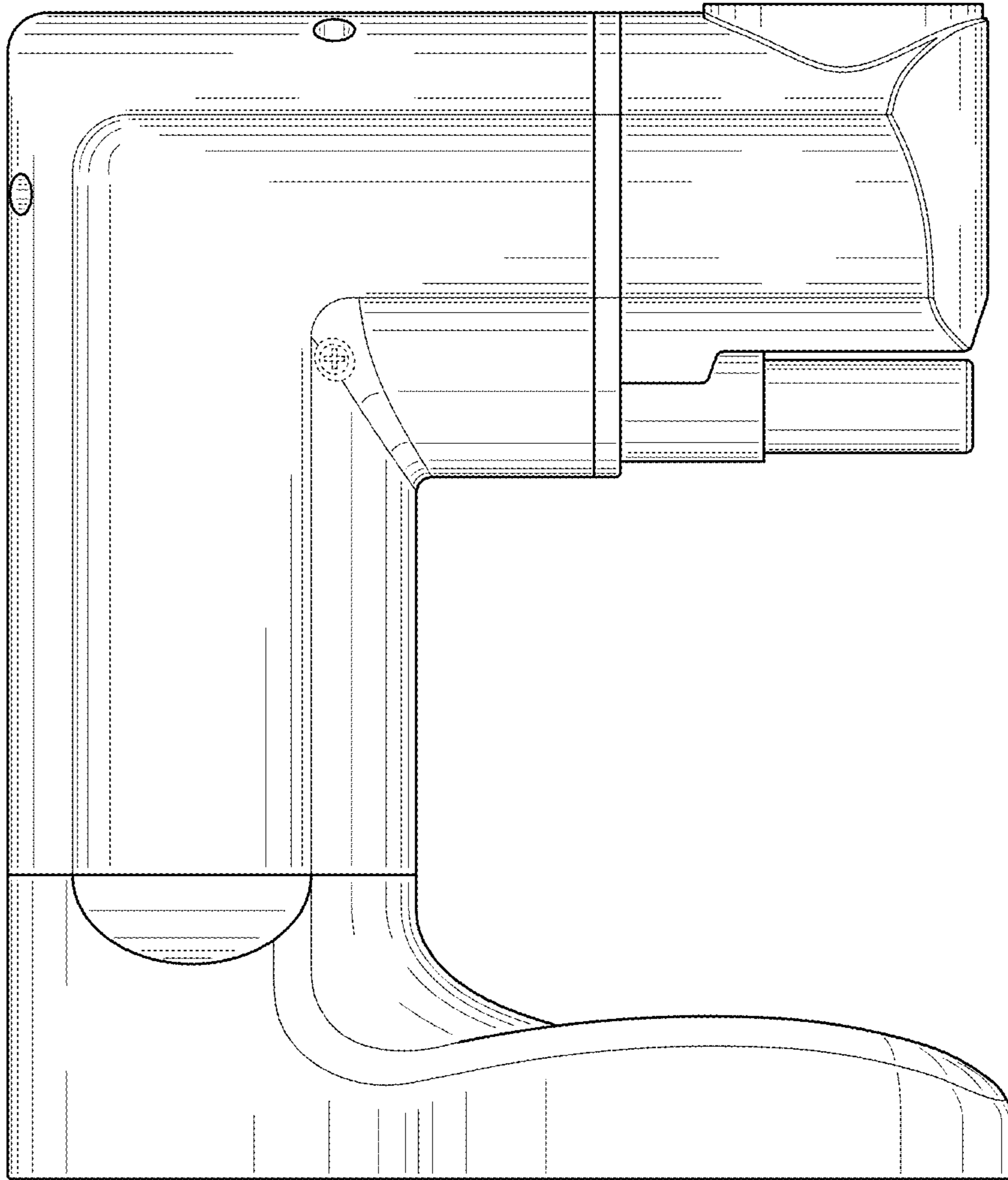


FIG. 3

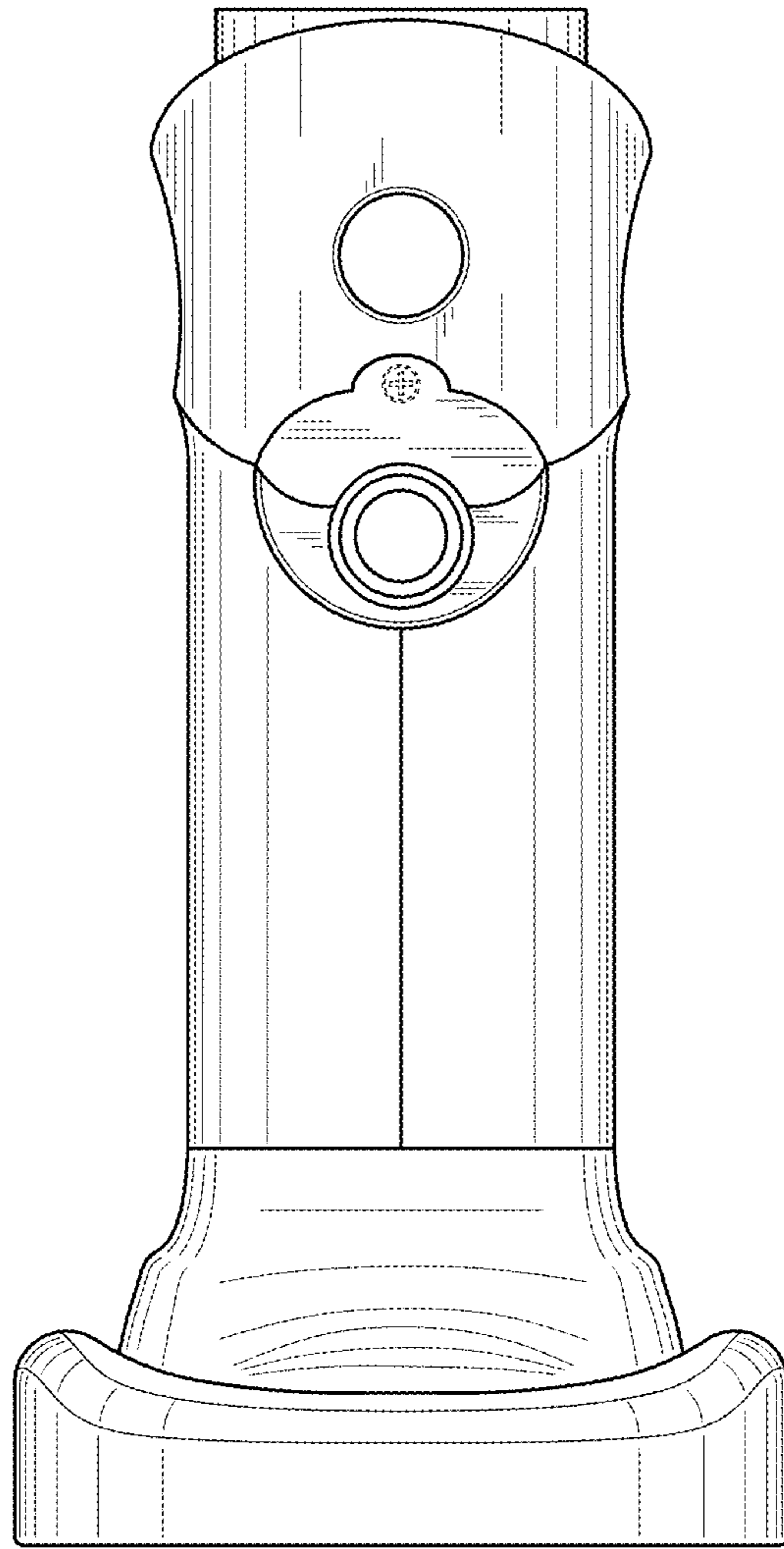


FIG. 4

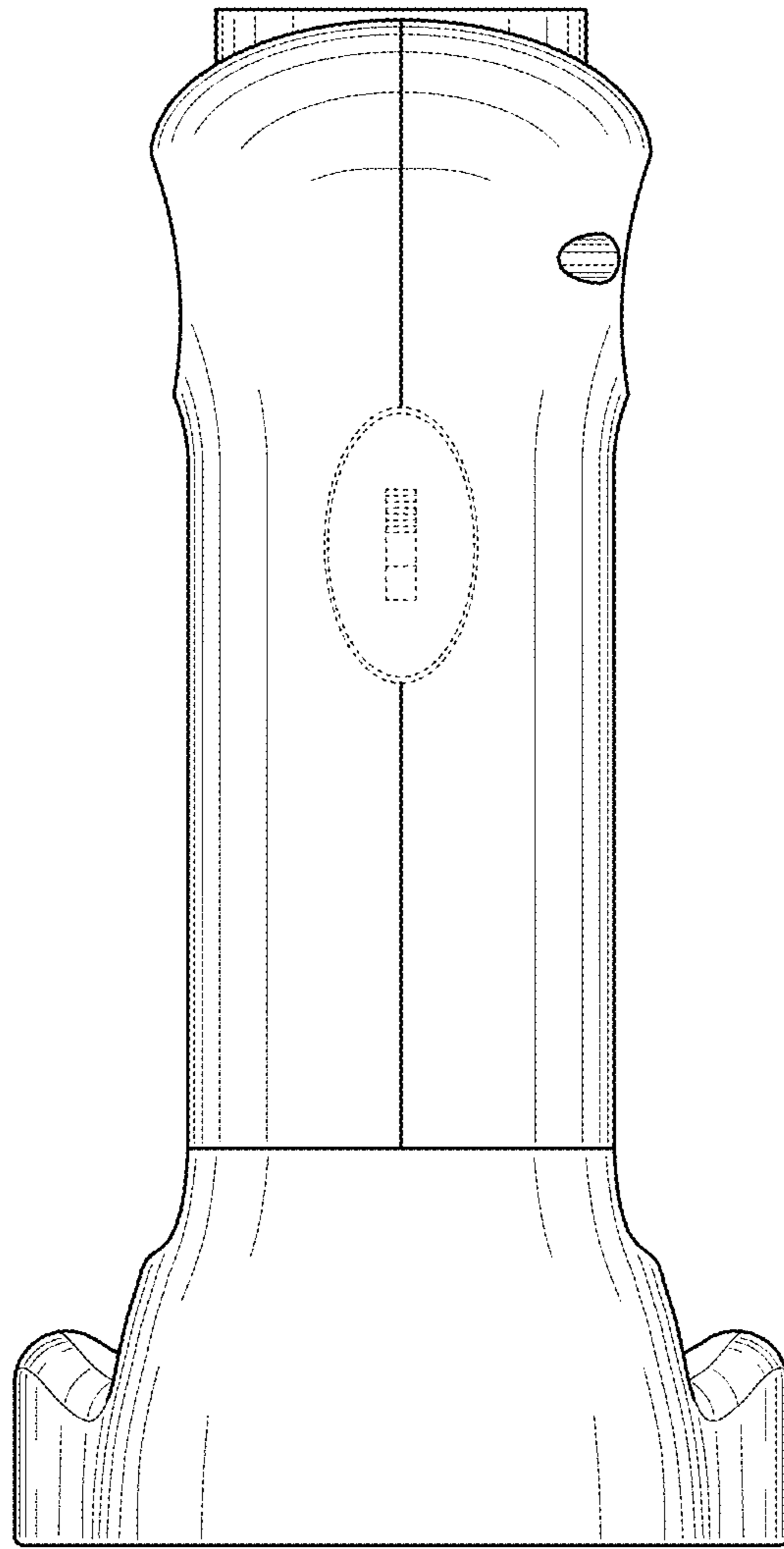


FIG. 5

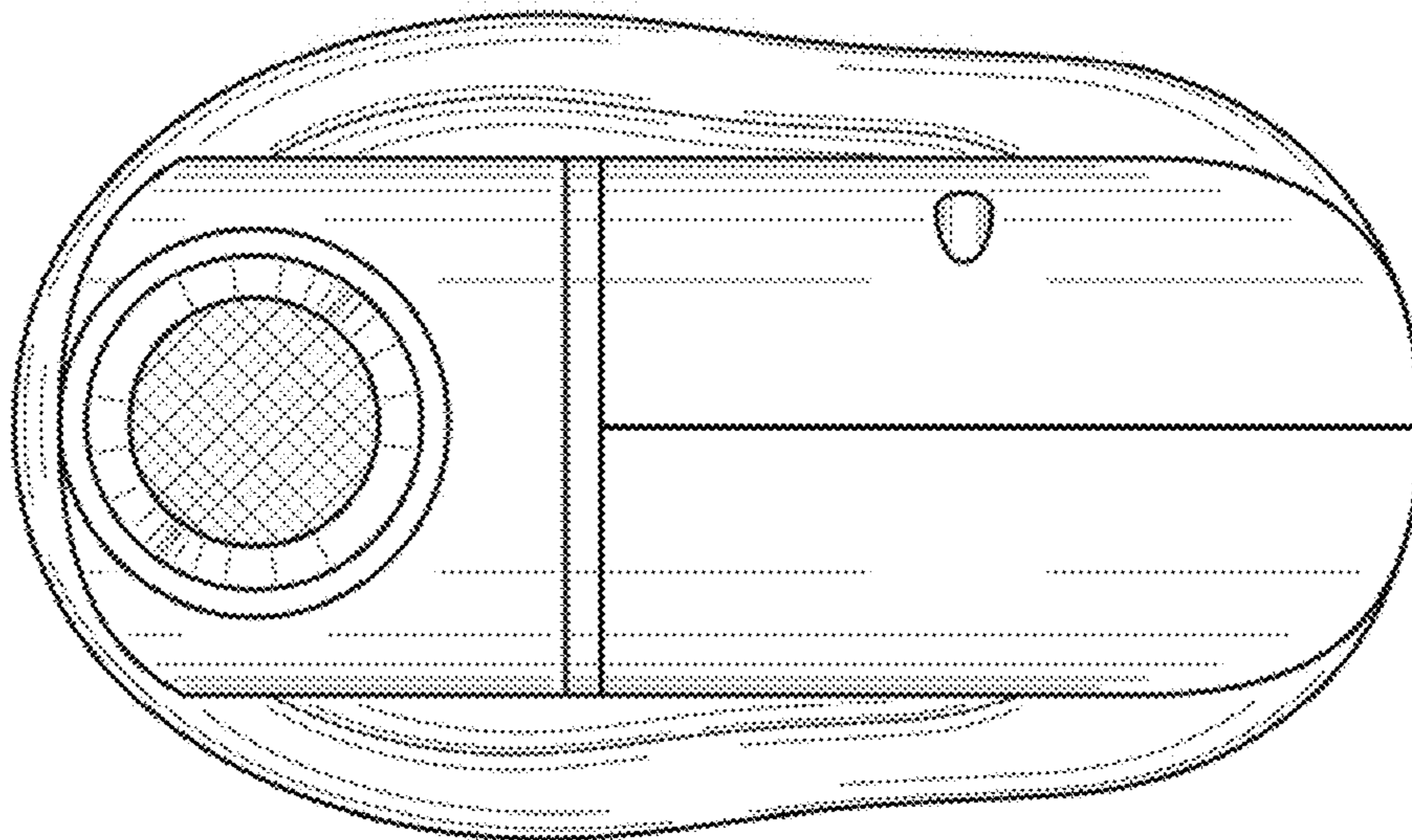


Fig. 6

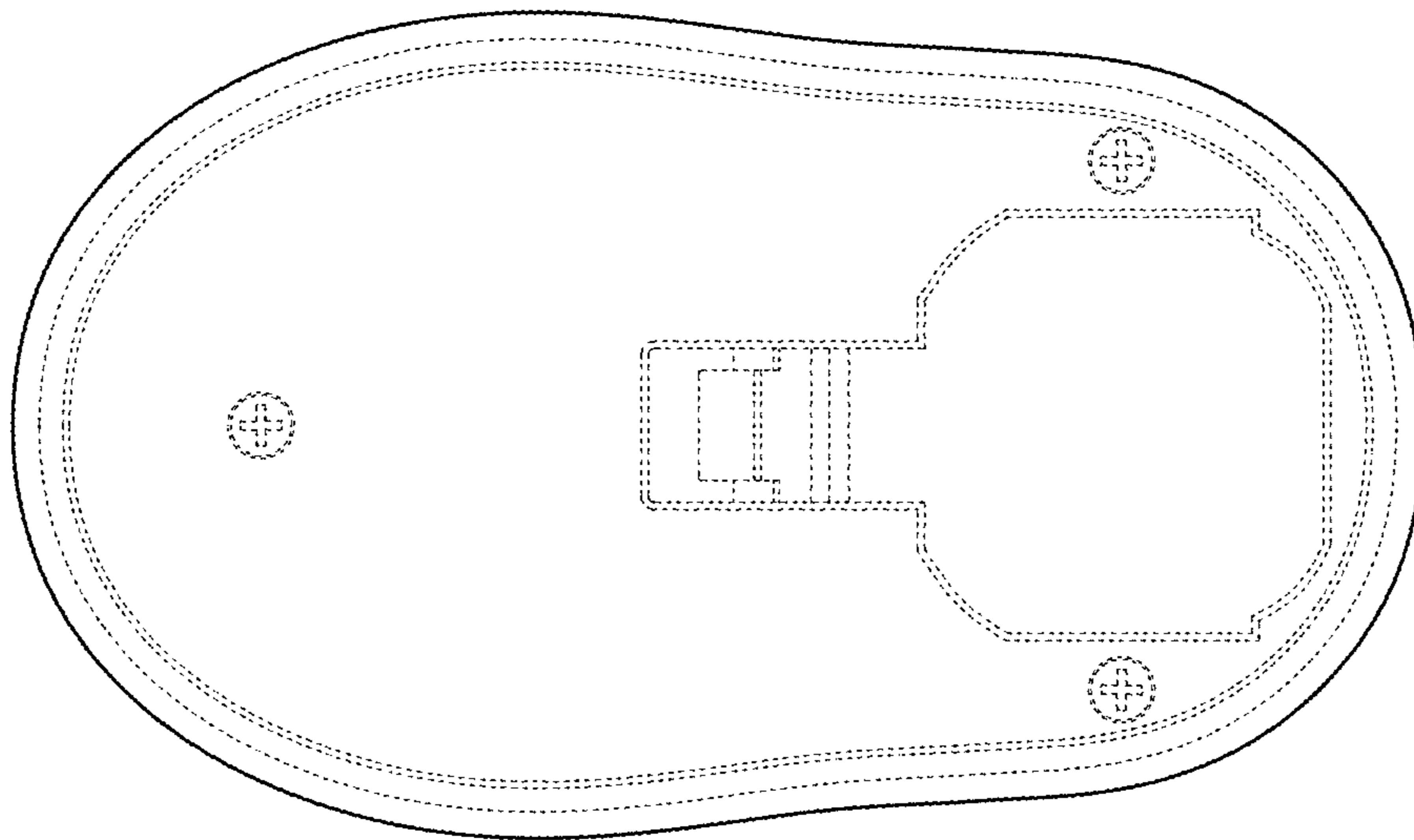


FIG. 7