



US00D919346S

(12) **United States Design Patent** (10) **Patent No.:** **US D919,346 S**
Ye (45) **Date of Patent:** **** May 18, 2021**

(54) **SEPARATE SAFETY ARMREST**
(71) Applicant: **Chongqing Oukesi Electronic Technology Co., Ltd., Chongqing (CN)**
(72) Inventor: **Lin Ye, Chongqing (CN)**
(73) Assignee: **CHONGQING OUKESEI ELECTRONIC TECHNOLOGY CO., LTD., Chongqing (CN)**
(**) Term: **15 Years**
(21) Appl. No.: **29/697,731**
(22) Filed: **Jul. 10, 2019**

(30) **Foreign Application Priority Data**
May 31, 2019 (CN) 201930278763.6
(51) **LOC (13) Cl.** **06-06**
(52) **U.S. Cl.**
USPC **D6/716.2**
(58) **Field of Classification Search**
USPC D6/328, 334, 354, 355, 356, 364, 366, D6/601, 655, 702, 708, 708.16, 708.17, D6/708.18, 708.23, 708.24, 708.25, 712, D6/716.1, 716.2, 716.3, 716.4, 716.5, D6/716.6, 716.7, 379, 709; D21/662, D21/694, 695; D12/190, 345, 415, 419, D12/421
CPC .. A47C 1/03; A47C 4/02; A47C 31/00; A47C 7/54; A47C 7/541; A47C 1/0308; A47C 1/0307; A47C 7/70; B64D 11/06; B62J 1/18; B60N 2/01; B60N 2/46; B60N 2/753; B60N 2/773; B60N 2/793; B60N 3/101; B60N 3/102; B60N 3/106; H01R 13/60; E05B 83/32; E05D 15/505; B65D 43/16; B65D 43/22; B60R 7/04; B60R 13/0275

See application file for complete search history.

(56) **References Cited**
U.S. PATENT DOCUMENTS
D110,805 S * 8/1938 Fall D12/421
3,930,273 A * 1/1976 Stern A61G 7/0507
5/430
3,934,699 A * 1/1976 Saito B66B 29/04
198/323
5,611,977 A * 3/1997 Takei B60N 2/75
264/46.5
D488,011 S * 4/2004 Chi D6/366
D508,097 S * 8/2005 Perez D21/662
D537,280 S * 2/2007 Cai D6/366
D711,984 S * 8/2014 Smyth D21/686
D779,074 S * 2/2017 Lane D24/184
D818,547 S * 5/2018 Meredith D21/686
851,185 A1 * 6/2019 Laurin D21/662

(Continued)

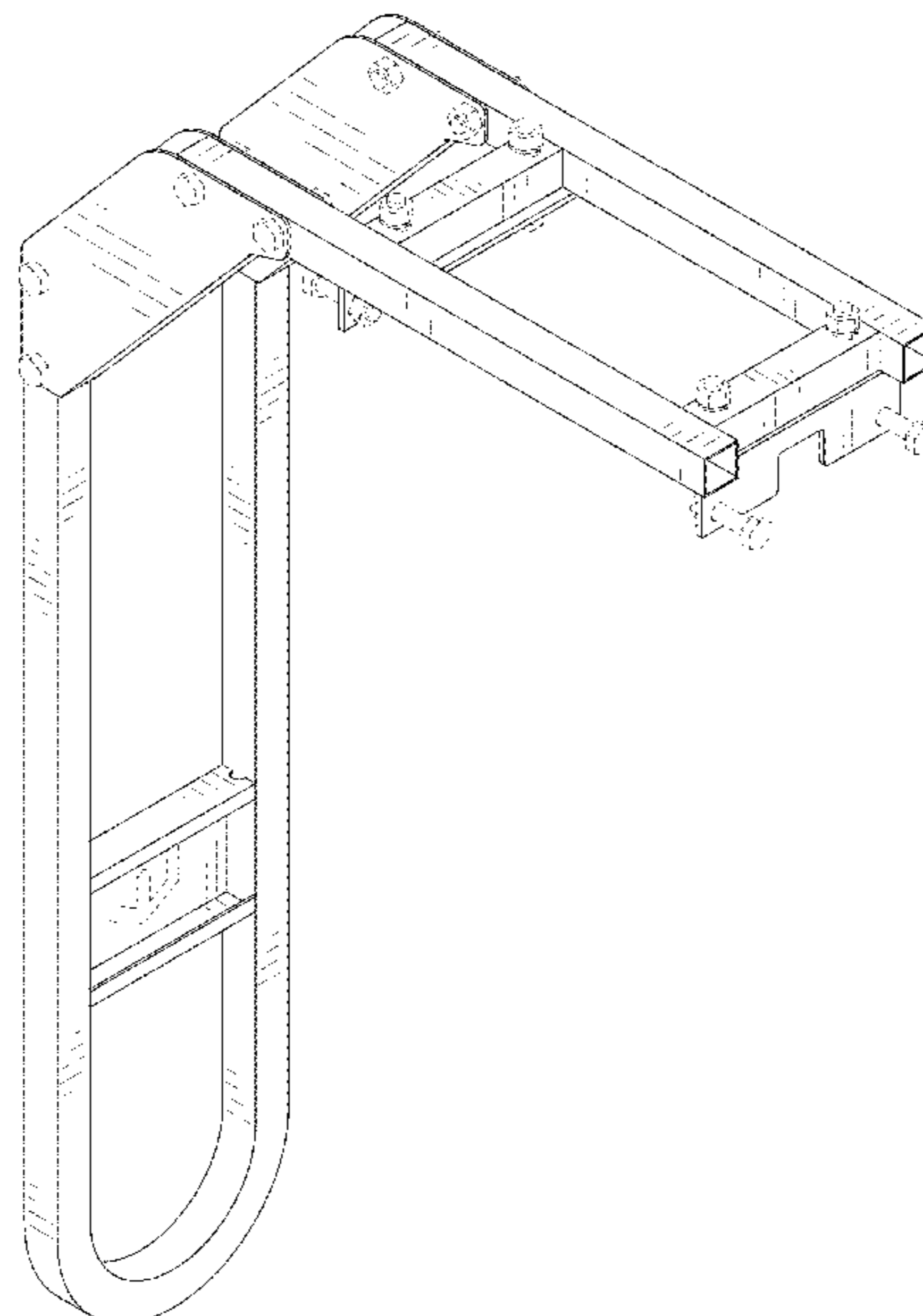
Primary Examiner — Kevin K Rudzinski
Assistant Examiner — Paul D Bohannon
(74) *Attorney, Agent, or Firm* — Cheng-Ju Chiang

(57) **CLAIM**
The ornamental design for a separate safety armrest, as shown and described.

DESCRIPTION

FIG. 1 is a rear, left and bottom perspective view of a separate safety armrest showing my new design; FIG. 2 is a front, left and bottom perspective view thereof; FIG. 3 is a front elevational view thereof; FIG. 4 is a back elevational view thereof; FIG. 5 is a left side elevational view thereof; FIG. 6 is a right side elevational view thereof; FIG. 7 is a top plan view thereof; and, FIG. 8 is a bottom plan view thereof. The broken lines shown in the drawings are for the purpose of illustrating portions of the article and form no part of the claimed design.

1 Claim, 8 Drawing Sheets



(56)

References Cited

U.S. PATENT DOCUMENTS

D868,224 S * 11/2019 Seum D23/311
D868,225 S * 11/2019 Seum D23/311
2011/0198154 A1* 8/2011 Worley A47C 12/00
182/148
2012/0126193 A1* 5/2012 Lin E06B 11/085
256/67
2018/0079472 A1* 3/2018 Ziaylek B63B 27/19
2019/0239651 A1* 8/2019 Lin A47C 9/06

* cited by examiner

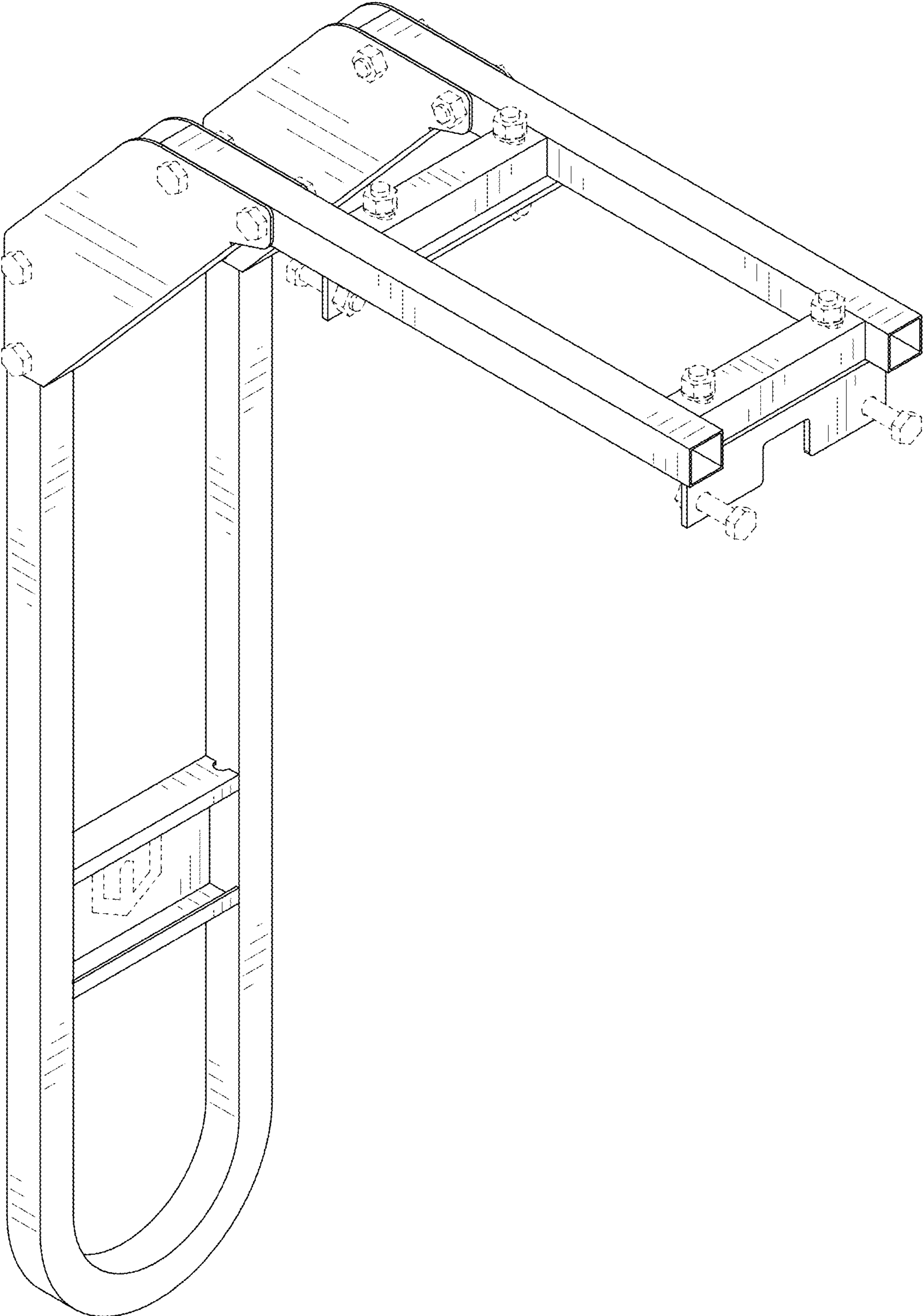


FIG. 1

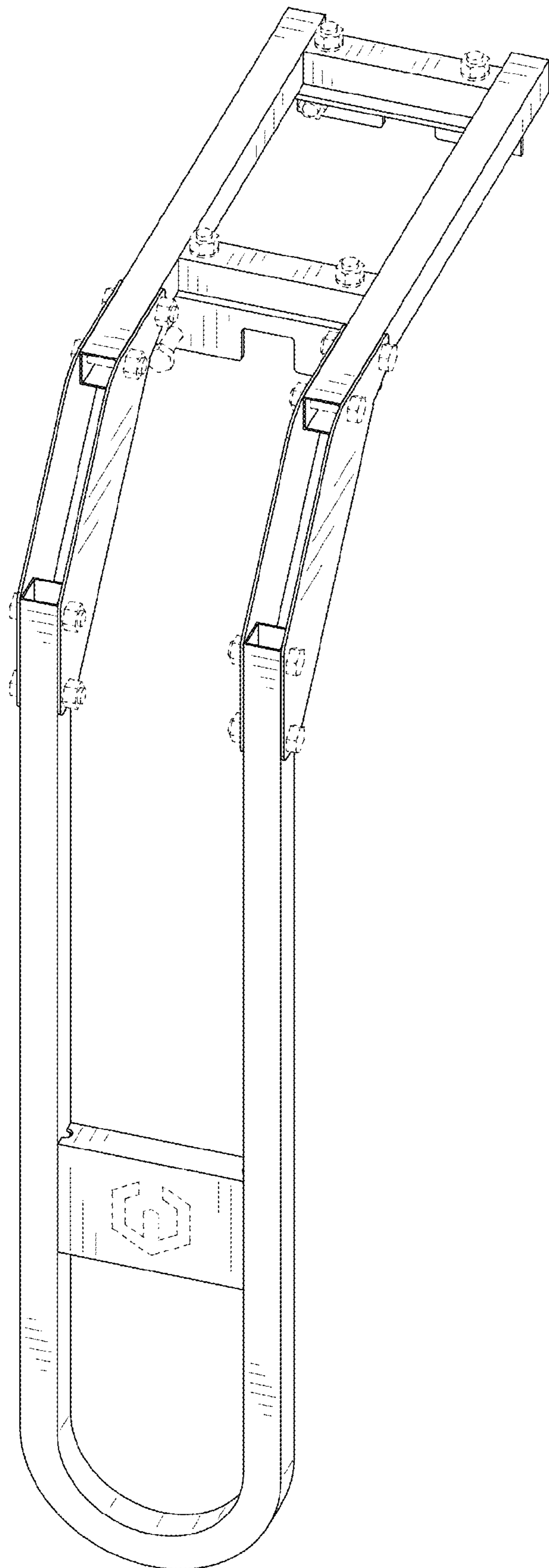


FIG. 2

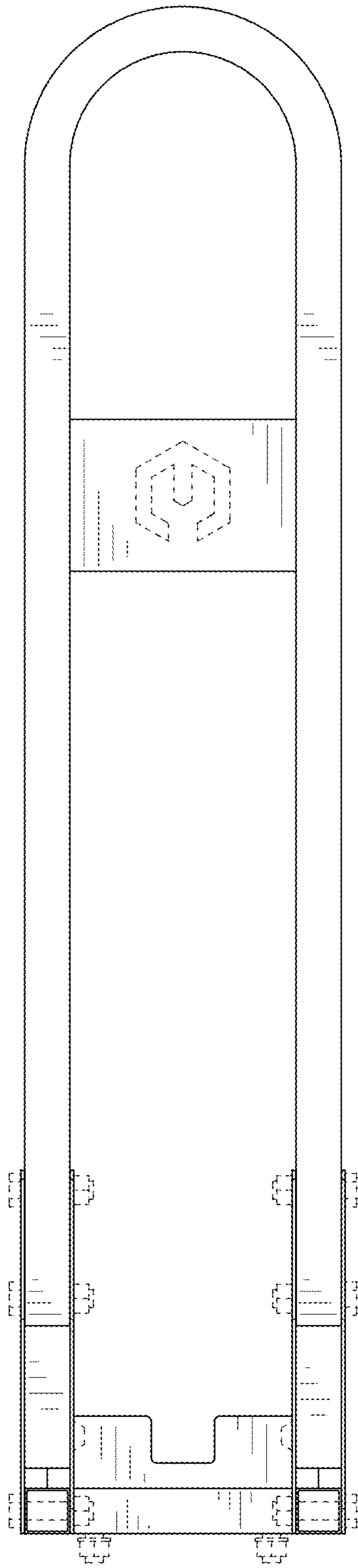


FIG. 3

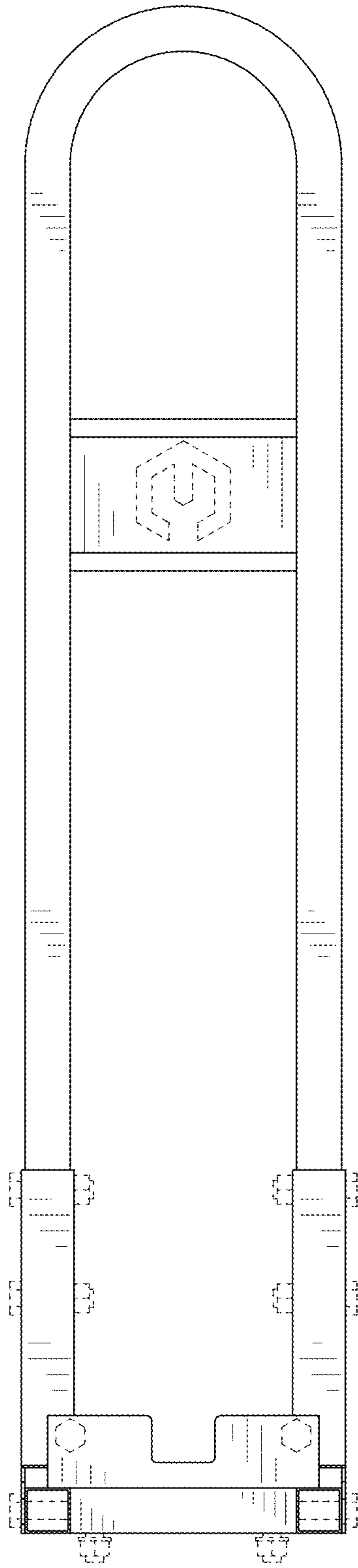


FIG. 4

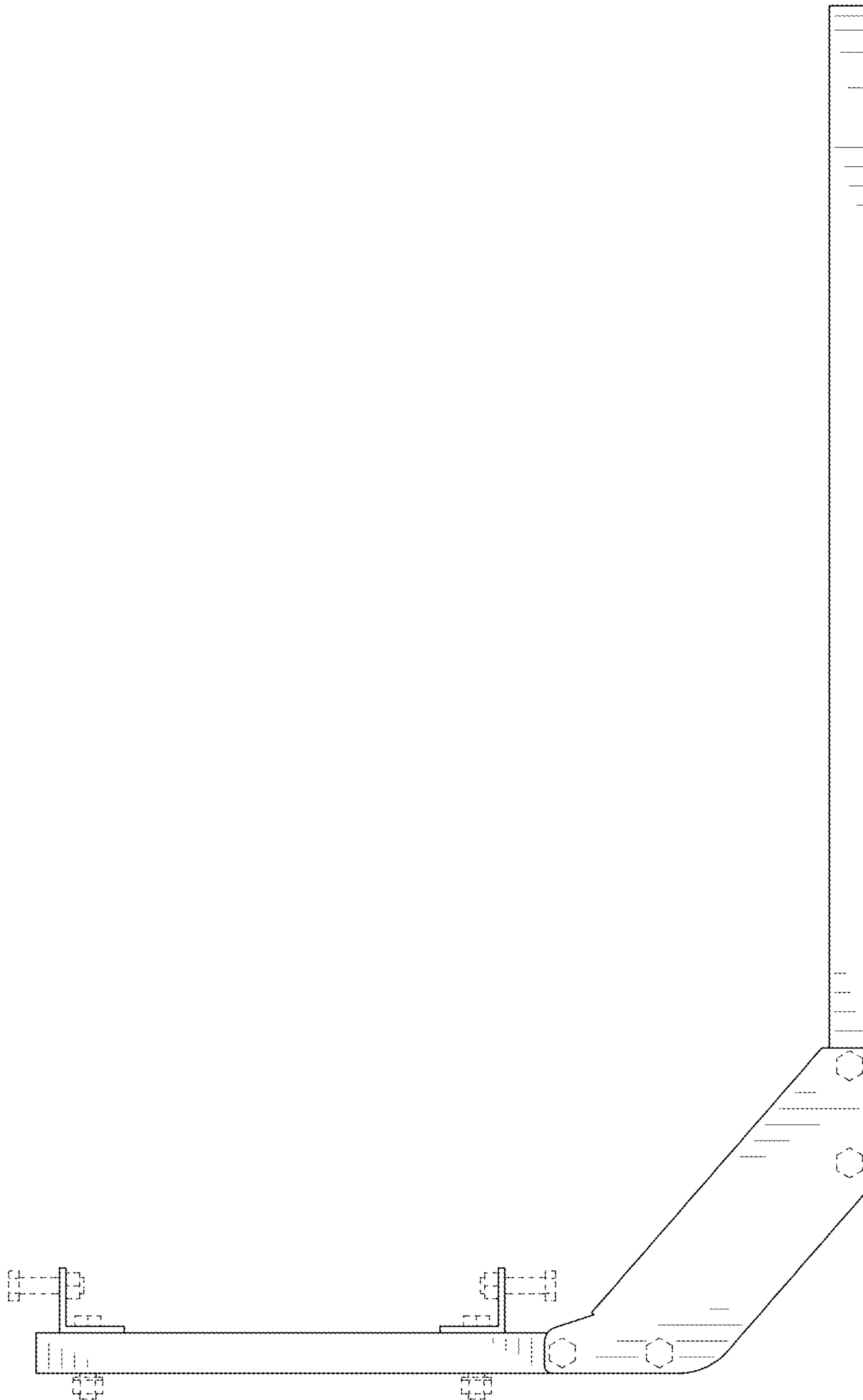


FIG. 5

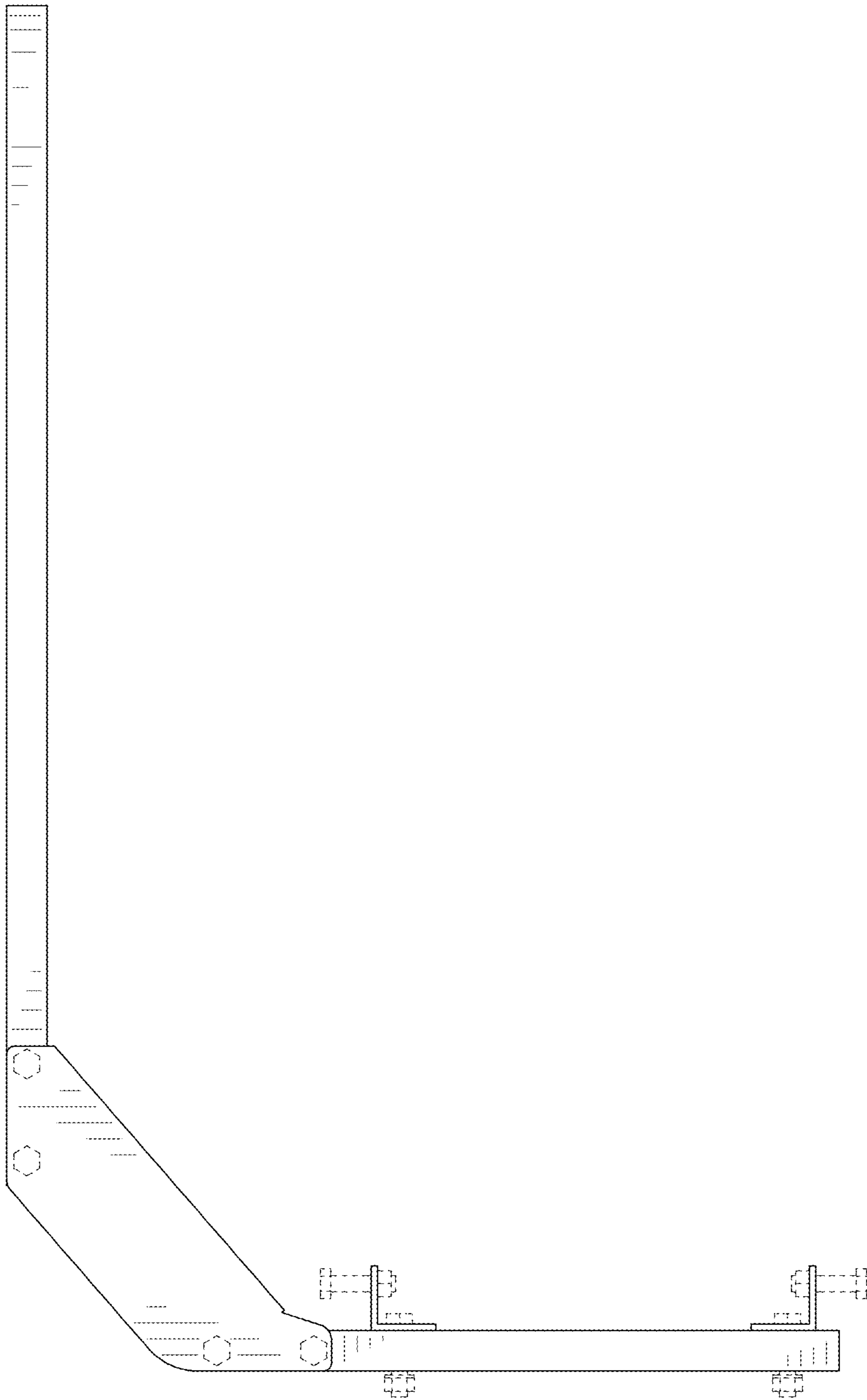


FIG. 6

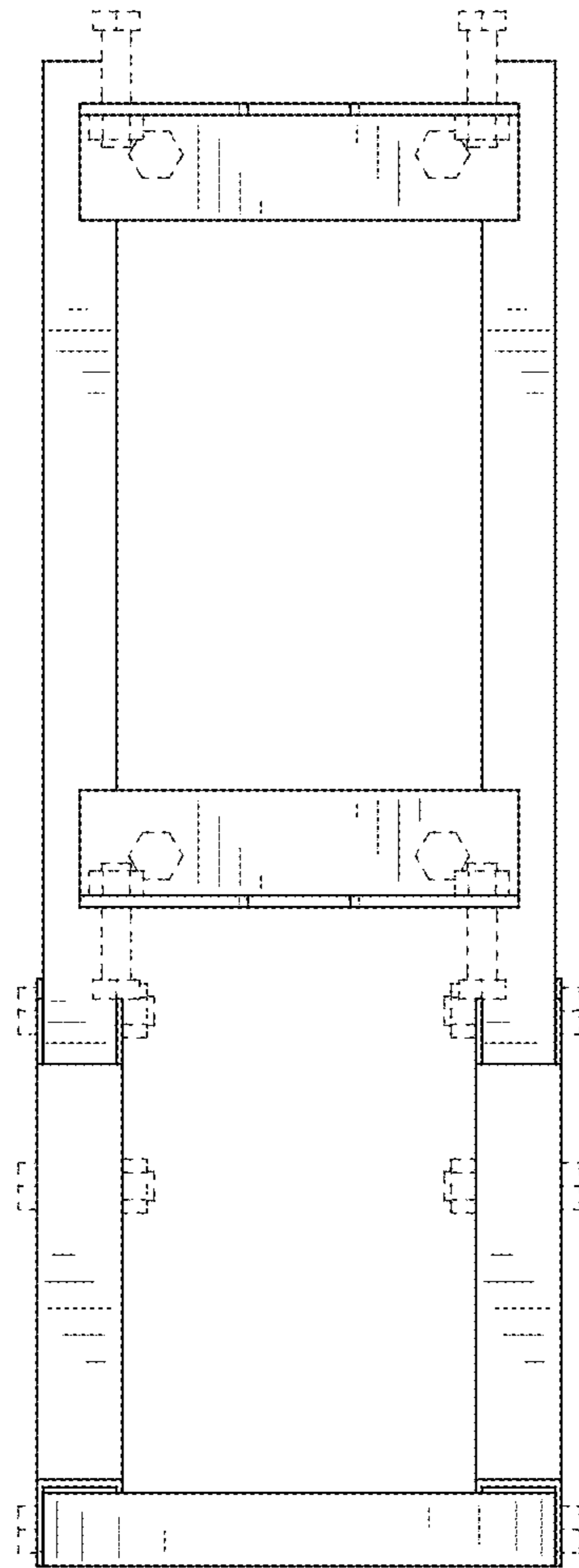


FIG. 7

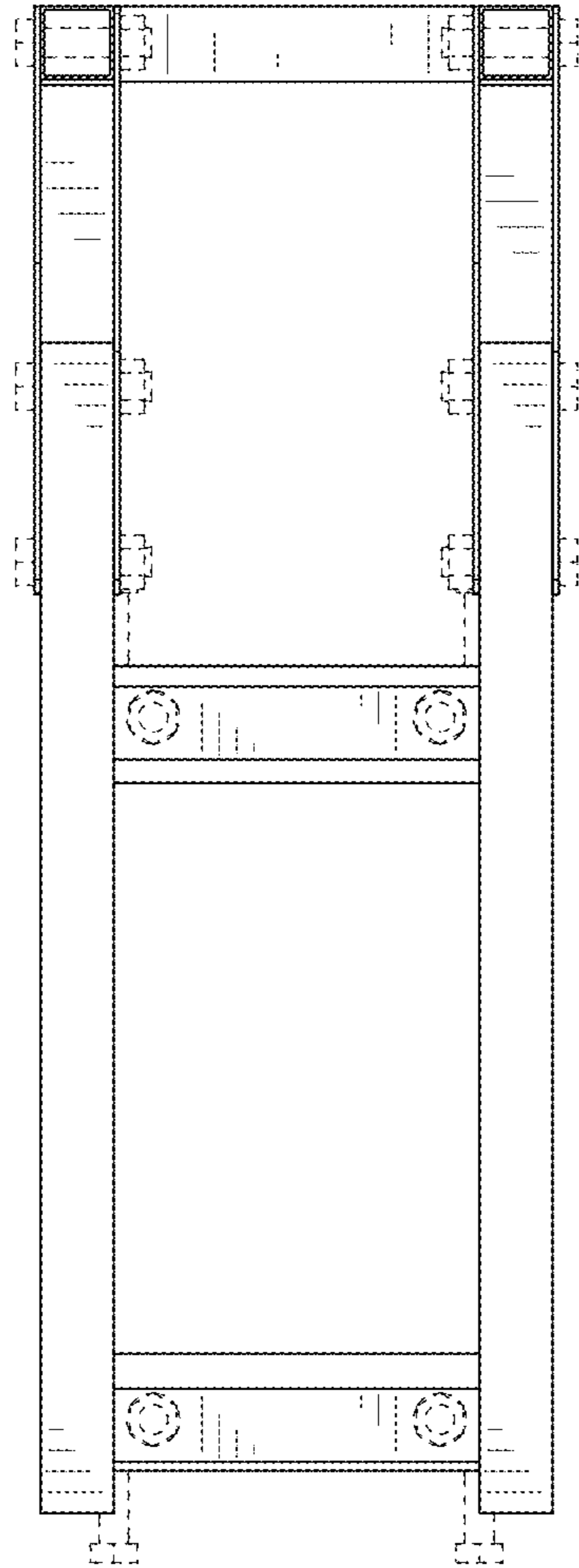


FIG. 8