



US00D919345S

(12) **United States Design Patent** (10) **Patent No.:** **US D919,345 S**
Newson (45) **Date of Patent:** **** May 18, 2021**

- (54) **CHAIR**
- (71) Applicant: **Knoll, Inc.**, East Greenville, PA (US)
- (72) Inventor: **Marc Newson**, London (GB)
- (73) Assignee: **Knoll, Inc.**, East Greenville, PA (US)
- (**) Term: **15 Years**
- (21) Appl. No.: **29/759,385**
- (22) Filed: **Nov. 23, 2020**

D600,051 S *	9/2009	Parker	D6/716.4
D600,462 S	9/2009	Ooki et al.	
D604,527 S *	11/2009	Ooki	D6/366
D604,535 S *	11/2009	Parker	D6/366
D604,969 S *	12/2009	Parker	D6/716.4
D609,021 S	2/2010	Ooki et al.	
D613,084 S *	4/2010	Wilkinson	D6/366
D616,213 S	5/2010	Parker et al.	
D627,983 S	11/2010	Wakasugi et al.	
D638,230 S	5/2011	Roy	
D638,232 S	5/2011	Roy	
D639,576 S	6/2011	Breen	
D641,562 S	7/2011	Lee	
D650,604 S	12/2011	Lee	
D651,008 S	12/2011	Lee	
D677,068 S	3/2013	Chen	
D688,056 S	8/2013	Phillips et al.	

(Continued)

Related U.S. Application Data

- (62) Division of application No. 29/666,240, filed on Oct. 11, 2018, now Pat. No. Des. 907,382.
- (51) **LOC (13) Cl.** **06-01**
- (52) **U.S. Cl.**
USPC **D6/716; D6/366**
- (58) **Field of Classification Search**
USPC D6/334-336, 364, 365, 366, 374, 375,
D6/379, 380, 716, 716.1, 716.2, 716.4
CPC A47C 7/004; A47C 7/006; A47C 7/18;
A47C 7/24; A47C 7/38; A47C 7/40;
A47C 7/46; A47C 7/54; A47C 1/03272
See application file for complete search history.

FOREIGN PATENT DOCUMENTS

WO 2019143505 A1 7/2019

Primary Examiner — Mimosa De

(74) *Attorney, Agent, or Firm* — Buchanan Ingersoll & Rooney PC

(57) **CLAIM**

The ornamental design for a chair, as shown an described.

DESCRIPTION

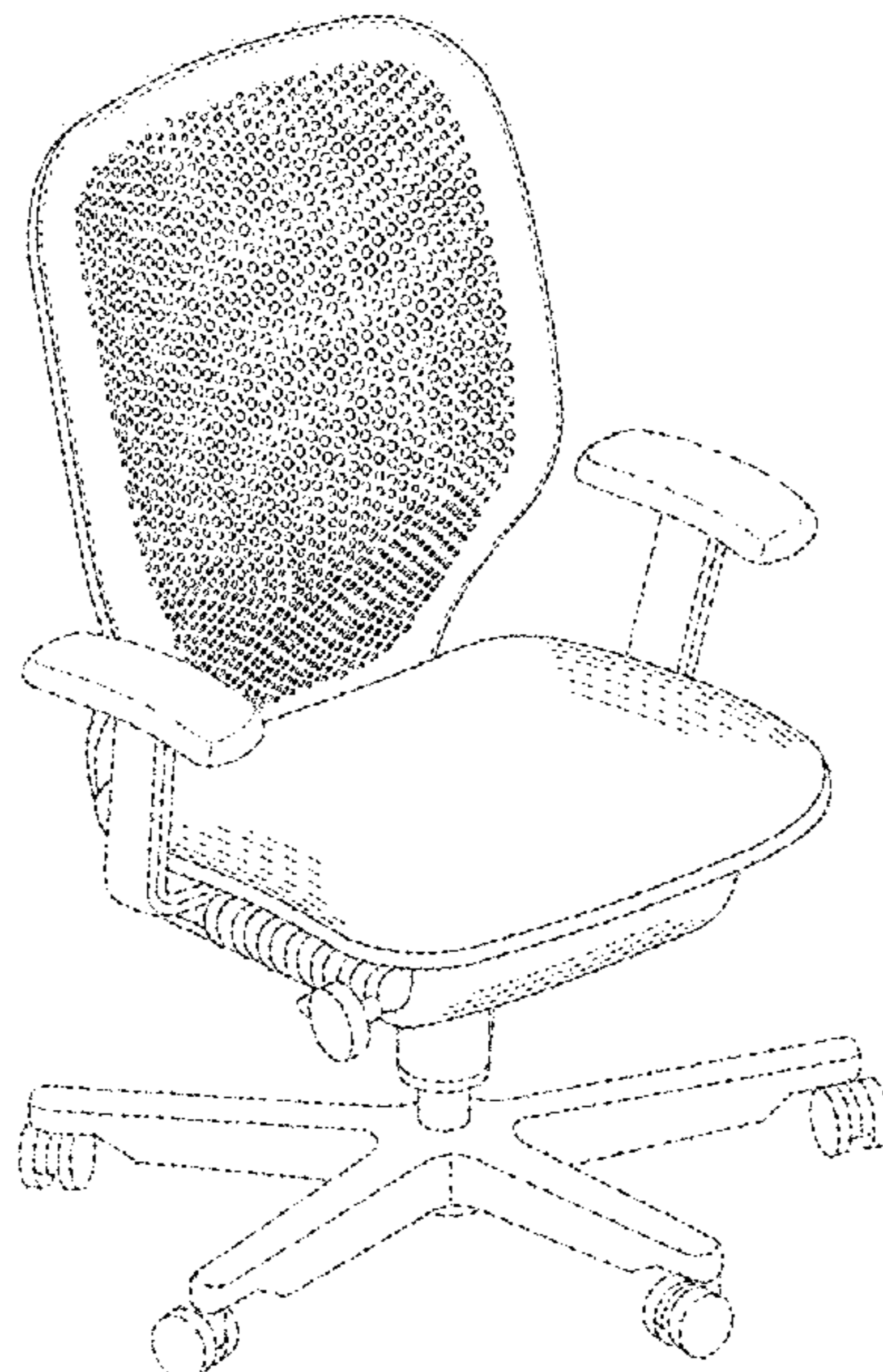
FIG. 1 is a perspective view of a chair showing my new design;
 FIG. 2 is a front elevational view thereof;
 FIG. 3 is a rear elevational view thereof;
 FIG. 4 is a top plan view thereof;
 FIG. 5 is a bottom plan view thereof;
 FIG. 6 is a left side elevational view thereof; and,
 FIG. 7 is a right side elevational view thereof.
 The phantom lines shown in the drawings form no part of the claimed design.

1 Claim, 7 Drawing Sheets

(56) **References Cited**

U.S. PATENT DOCUMENTS

D422,802 S *	4/2000	Deacon	D6/366
D436,768 S *	1/2001	Jenkins	D6/366
D449,172 S *	10/2001	Van De Riet	D6/366
D456,160 S *	4/2002	Van De Riet	D6/366
D456,164 S *	4/2002	Vanderiet	D6/374
6,955,402 B2 *	10/2005	VanDeRiet	A47C 1/03272 297/452.56
D535,112 S	1/2007	Bernett et al.	
D535,131 S	1/2007	Loew et al.	
D596,418 S	7/2009	Ueda	



(56)

References Cited

U.S. PATENT DOCUMENTS

D688,483	S	8/2013	Aratani	
D694,542	S *	12/2013	Citterio	D6/366
D718,544	S	12/2014	Lu	
9,033,421	B2 *	5/2015	Wilkinson	A47C 7/40 297/452.64
D755,533	S	5/2016	Ballendat	
D766,641	S *	9/2016	Gorgi	D6/716.4
D779,248	S	2/2017	Welsh et al.	
D798,626	S	10/2017	Cohen	
D823,015	S *	7/2018	Li	D6/366
D823,016	S *	7/2018	Li	D6/366
D826,614	S	8/2018	Chu	
D833,767	S	11/2018	Wilkinson et al.	
D850,834	S	6/2019	Read et al.	
D850,835	S	6/2019	Read et al.	
D879,491	S	3/2020	Wang	
D888,479	S	6/2020	Ludwig et al.	
D891,809	S *	8/2020	Chong	D6/380
D907,382	S *	1/2021	Newson	D6/366

* cited by examiner

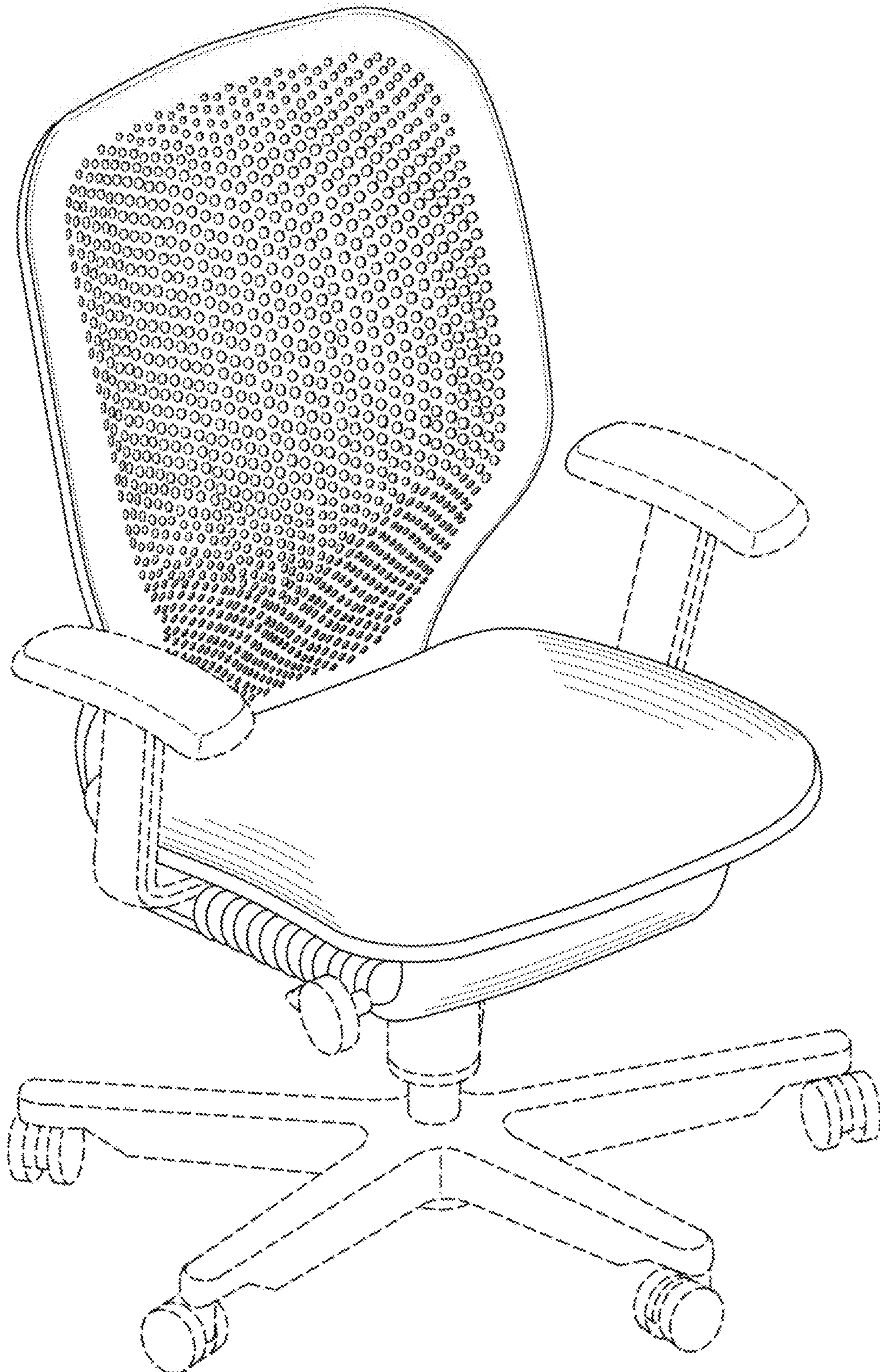


FIG. 1

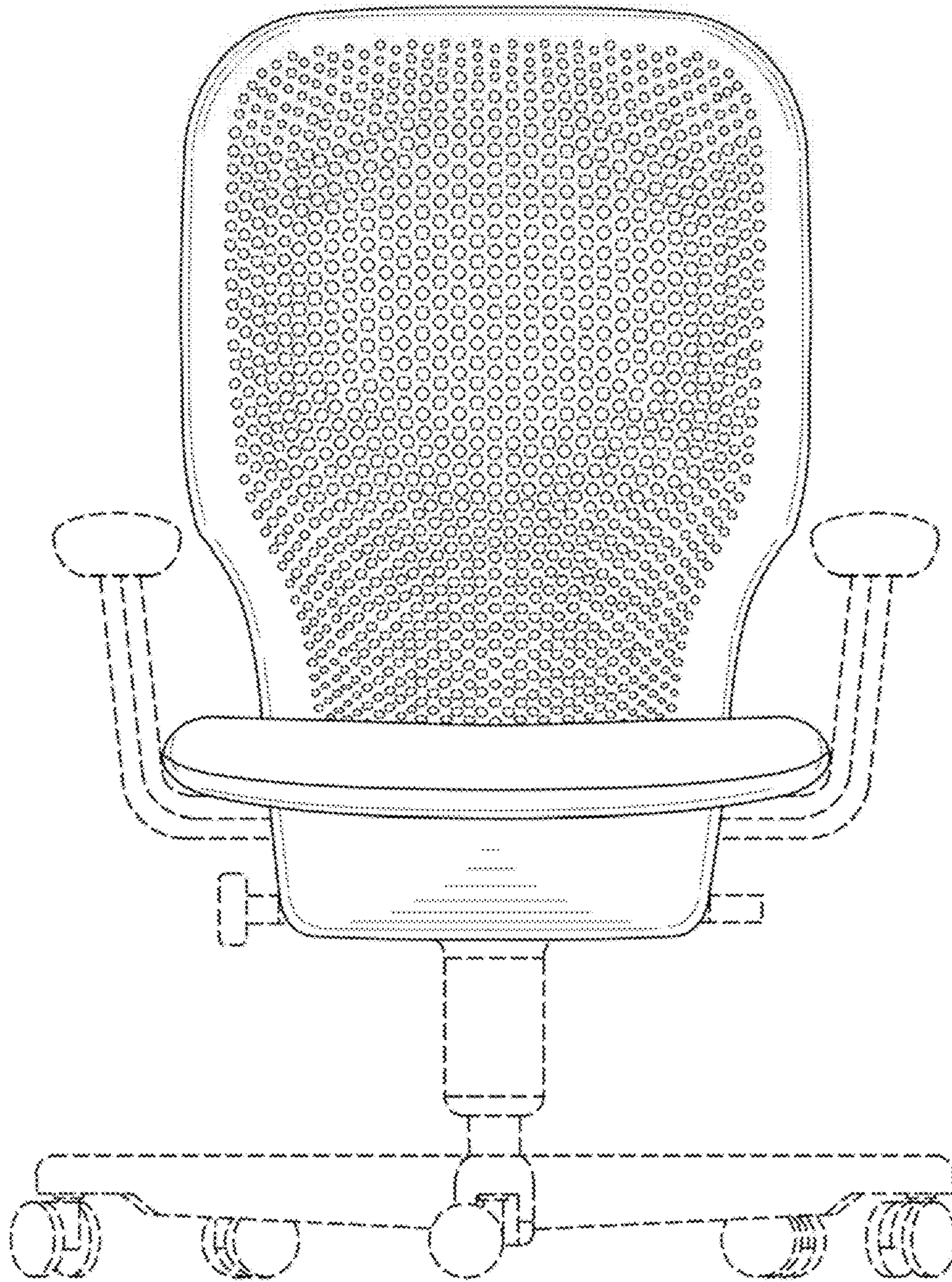


FIG. 2

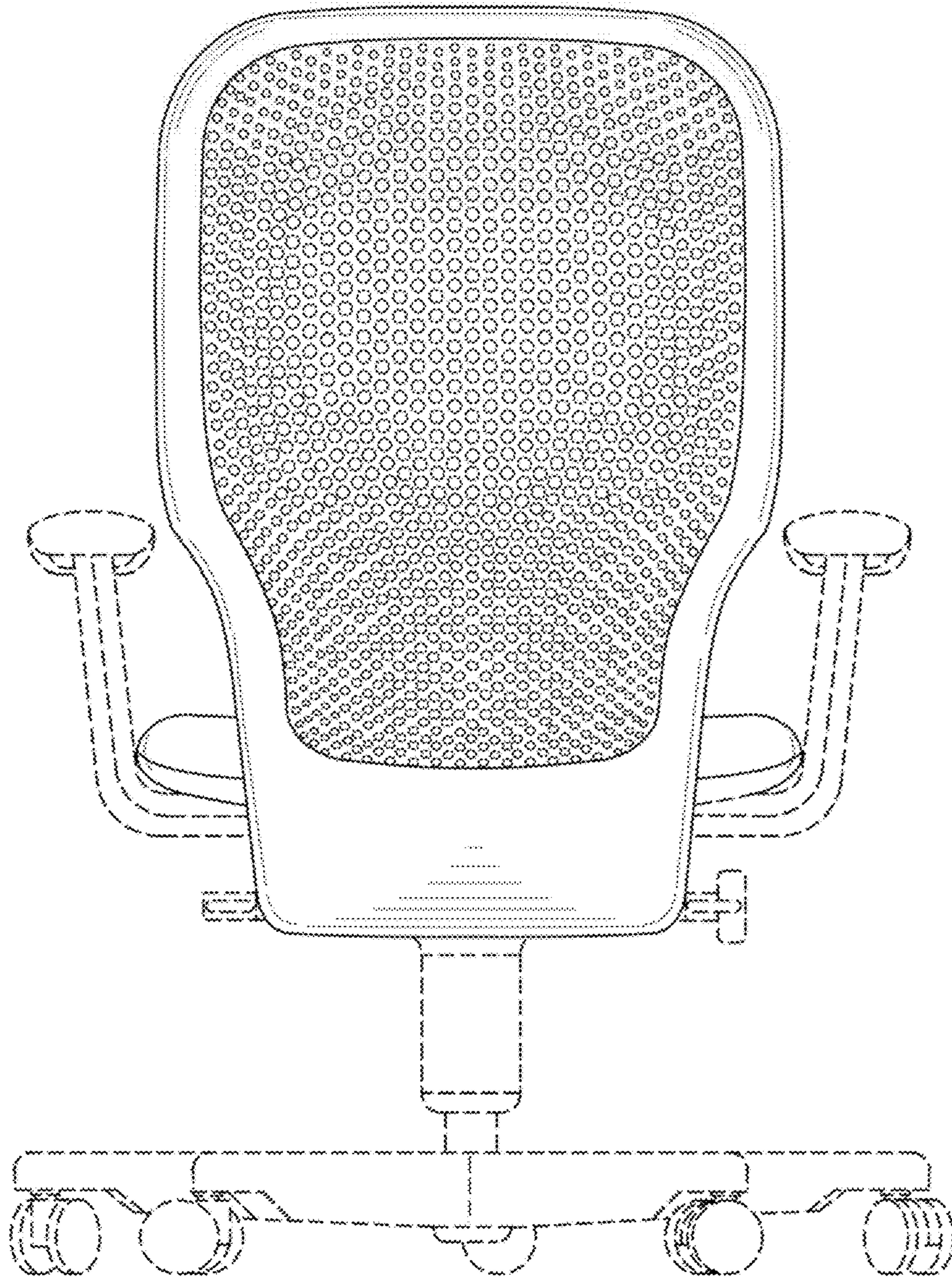


FIG. 3

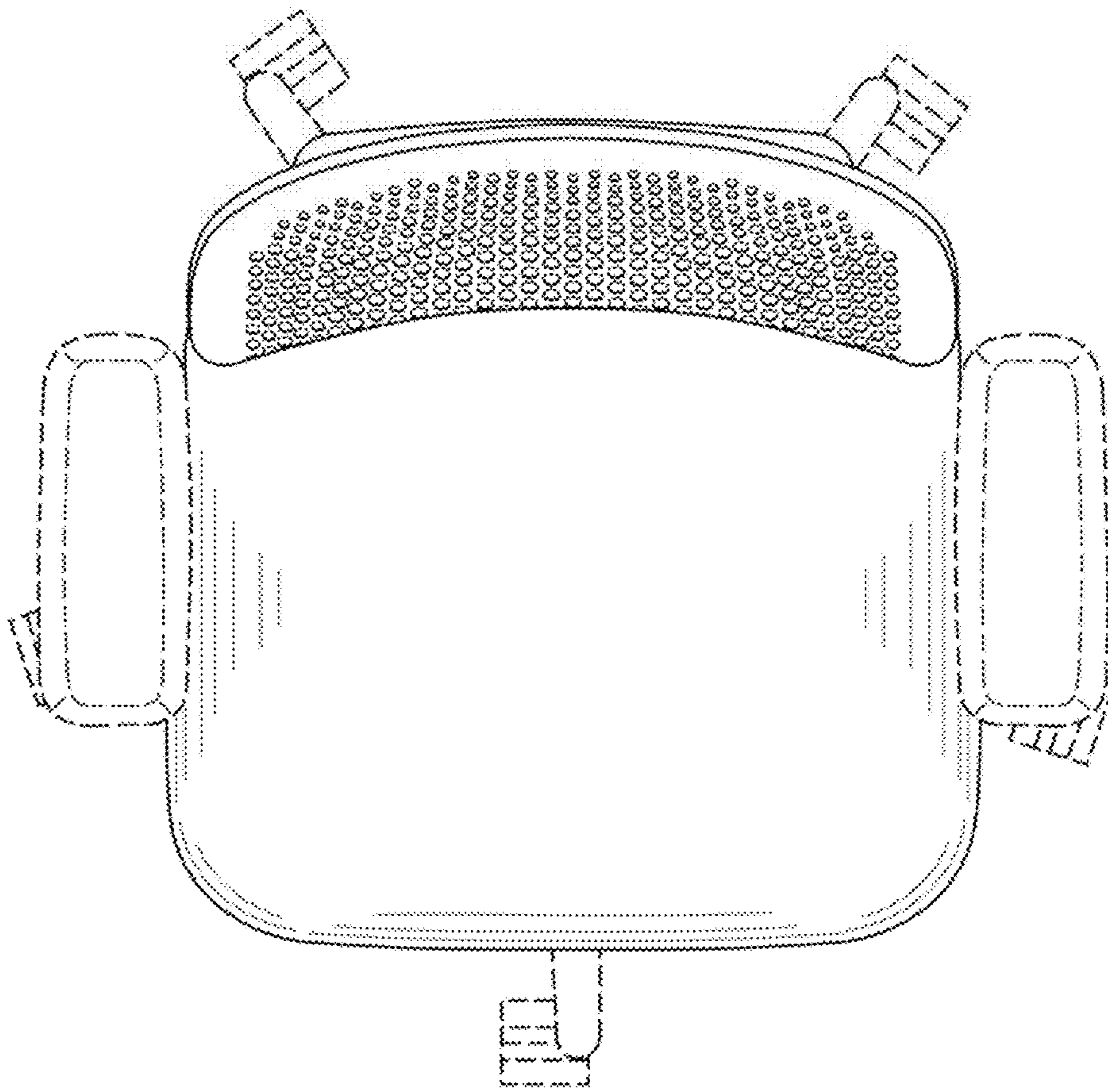


FIG. 4

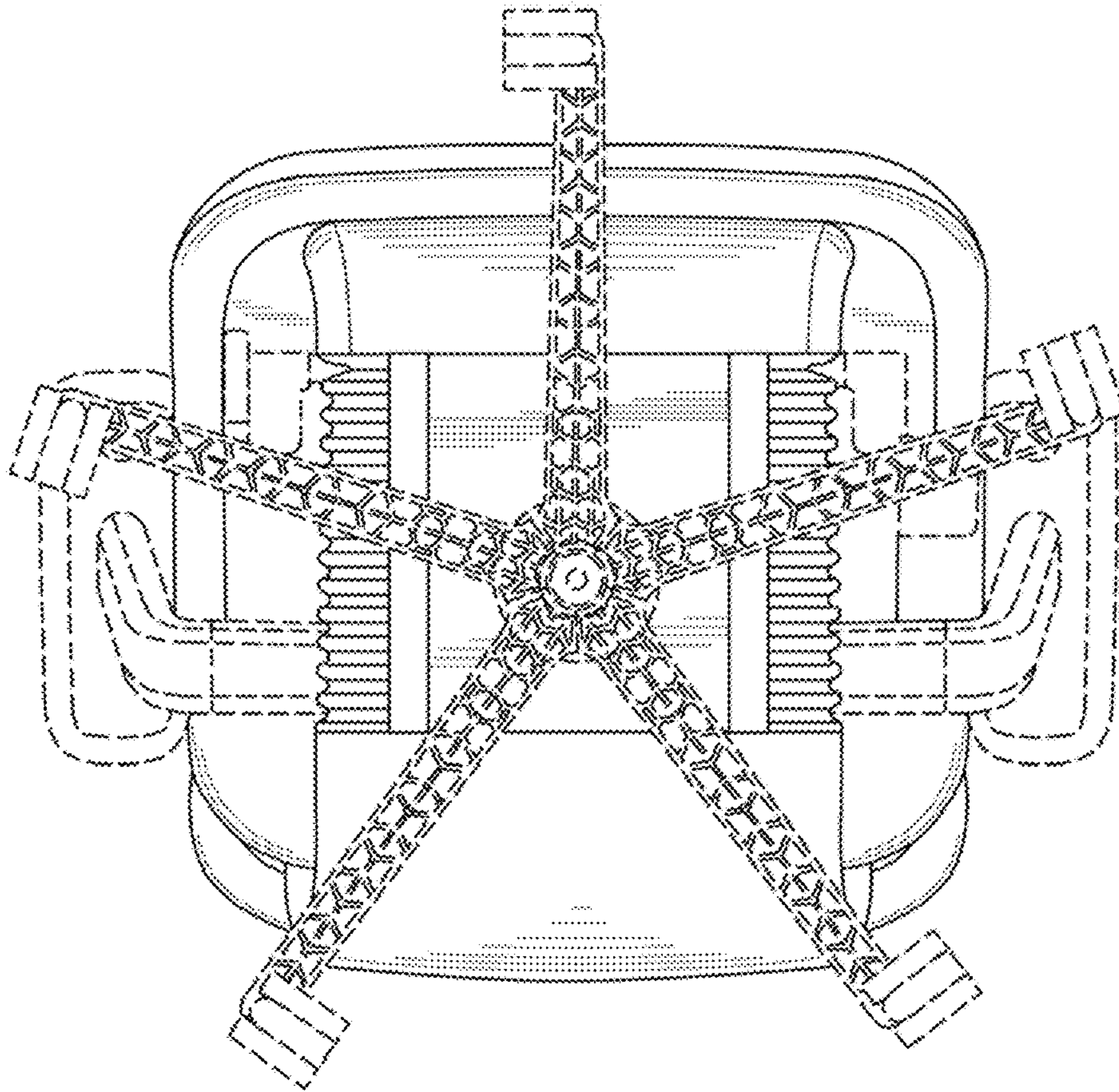


FIG. 5

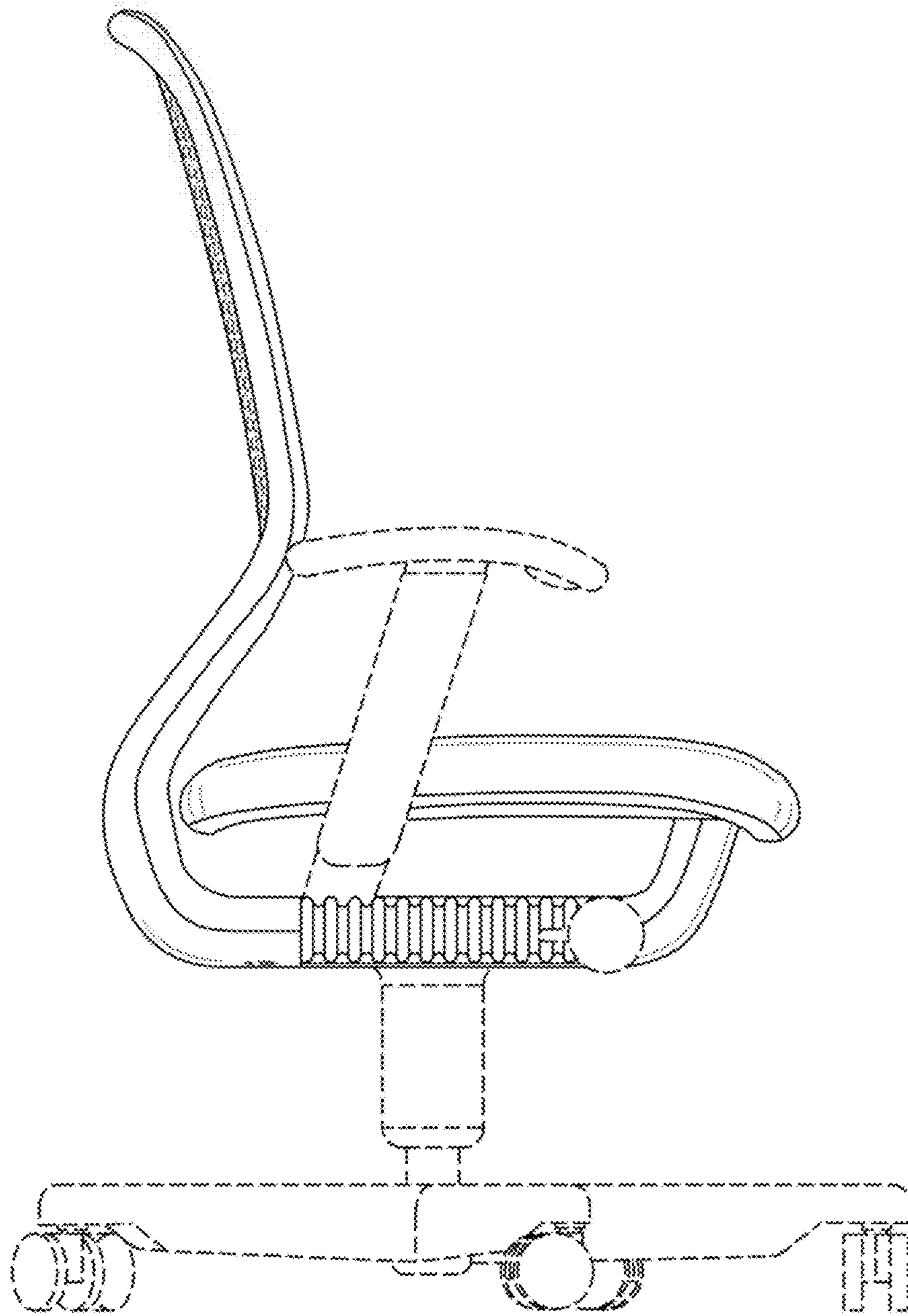


FIG. 6

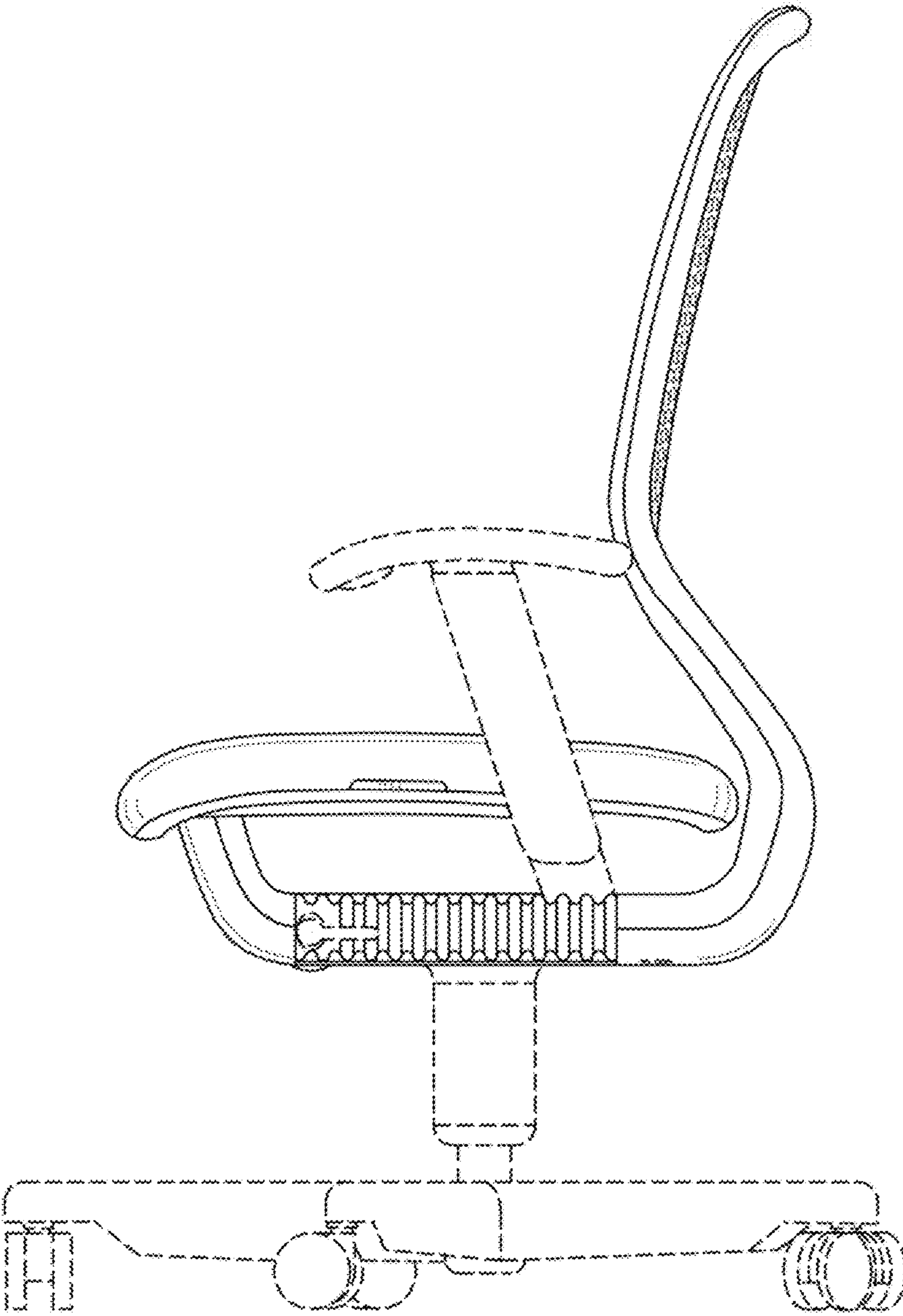


FIG. 7