



US00D919344S

(12) **United States Design Patent**
Dreyfus, Sr.

(10) **Patent No.:** **US D919,344 S**

(45) **Date of Patent:** **** May 18, 2021**

(54) **BAR TABLE**

(71) Applicant: **Randall Dreyfus, Sr.**, New York, NY
(US)

(72) Inventor: **Randall Dreyfus, Sr.**, New York, NY
(US)

(**) Term: **15 Years**

(21) Appl. No.: **29/673,003**

(22) Filed: **Dec. 11, 2018**

(51) **LOC (13) Cl.** **06-06**

(52) **U.S. Cl.**
USPC **D6/707.22**; D6/708.1

(58) **Field of Classification Search**

USPC D6/329, 685, 686, 688, 688.1, 688.27,
D6/690, 692, 692.3, 692.4, 692.5, 698,
D6/702, 708, 708.1, 708.16, 708.17,
D6/708.2, 708.23, 708.24

CPC A47B 13/00; A47B 13/02; A47B 13/003;
A47B 13/04; A47B 2013/026; A47B
13/06

See application file for complete search history.

(56) **References Cited**

U.S. PATENT DOCUMENTS

4,003,320 A * 1/1977 Owens A47B 13/003
108/158
D338,578 S * 8/1993 Tihany D6/692.3
D380,318 S * 7/1997 Horvath D6/688.1
D517,353 S * 3/2006 Carter D6/692.5
D552,892 S * 10/2007 Everson D6/692
D622,980 S * 9/2010 Dively D6/688.1
D648,575 S * 11/2011 Gasser D6/708.23
D656,343 S * 3/2012 Grimaldi D6/686
D656,344 S * 3/2012 Grimaldi D6/686
D656,345 S * 3/2012 Grimaldi D6/686
D668,478 S * 10/2012 Shokouhi D6/692

D694,562 S * 12/2013 Lenterman D6/708.17
D701,067 S * 3/2014 Lenterman D6/708.16
8,794,163 B1 * 8/2014 Shokouhi A47B 3/06
108/91
D762,405 S * 8/2016 Werner D6/692
D790,264 S * 6/2017 Almaghlouth D6/692
D801,738 S * 11/2017 AlMaghlouth D6/692
D874,196 S * 2/2020 Calhoun D6/692.3
D899,829 S * 10/2020 Liang D6/686
2018/0131201 A1 * 5/2018 Calhoun H02J 50/12

OTHER PUBLICATIONS

“Alloy Wheel Coffee Table.” Found online Jan. 2, 2021 at forums.mercedesclub.org.uk. Image posted Nov. 19, 2008. Retrieved from URL: <https://forums.mercedesclub.org.uk/index.php?threads/alloy-wheel-coffee-table.43160/> (Year: 2008).*

(Continued)

Primary Examiner — Mary Ann Calabrese

Assistant Examiner — Katelin G Kloberg

(74) *Attorney, Agent, or Firm* — Pryor Cashman LLP

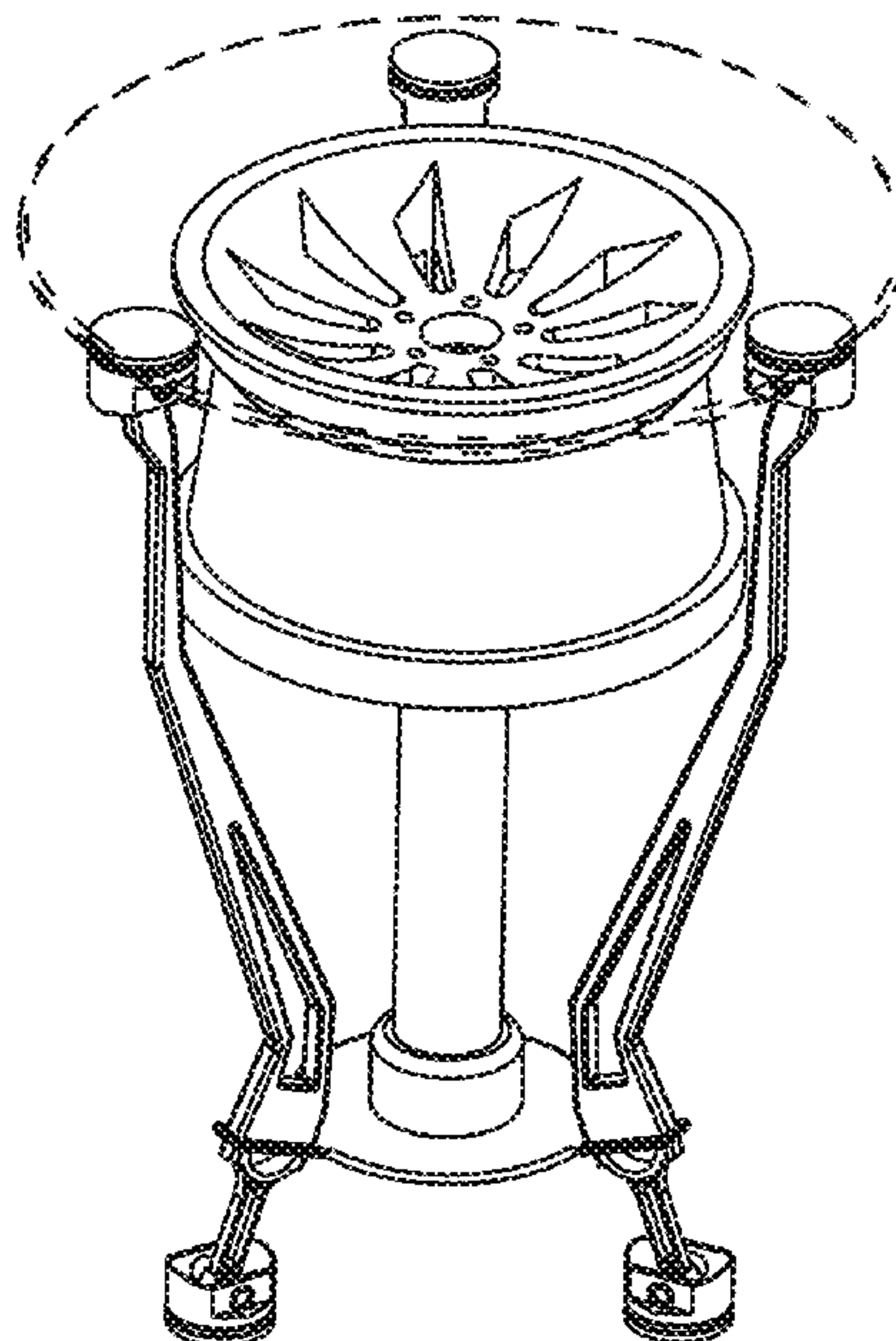
(57) **CLAIM**

The ornamental design for a bar table, as shown and described.

DESCRIPTION

FIG. 1 is a top perspective view of a bar table;
FIG. 2 is a front elevation view of a bar table;
FIG. 3 is a left side elevation view of a bar table;
FIG. 4 is a right view of a bar table;
FIG. 5 is a back view of a bar table;
FIG. 6 is a top plan view of a bar table; and,
FIG. 7 is a bottom plan view of bar table.
The broken lines depicting a table top represent environmental subject matter that forms no part of the claimed design.

1 Claim, 7 Drawing Sheets



(56)

References Cited

OTHER PUBLICATIONS

“Chrome Wheel Coffee Table.” Found online Jan. 2, 2021 at www.jamjarjunkies.co.uk. Page archived Oct. 12, 2015. Retrieved from URL: https://web.archive.org/web/20151012122945if_/https://jamjarjunkies.co.uk/product/chrome-wheel-coffee-table/#.Vhun0cj7QwE (Year: 2015).*

“Table Bar Rim Escape Argent 18 Pouces.” Found online Jan. 2, 2021 at www.wheel-design.fr. Page archived Sep. 23, 2020. Retrieved from URL: <https://web.archive.org/web/20200923150330/https://wheel-design.fr/gb/catalog-wheel-design/15-138-table-bar-rim-escape-argent-18-pouces.html> (Year: 2020).*

“Steering Wheel Table.” Found online Jan. 2, 2021 at www.aliciahanson.com. Page dated Aug. 4, 2010. Retrieved from URL: <http://aliciahanson.com/steering-wheel-table-vintage-industrial/> (Year: 2010).*

* cited by examiner

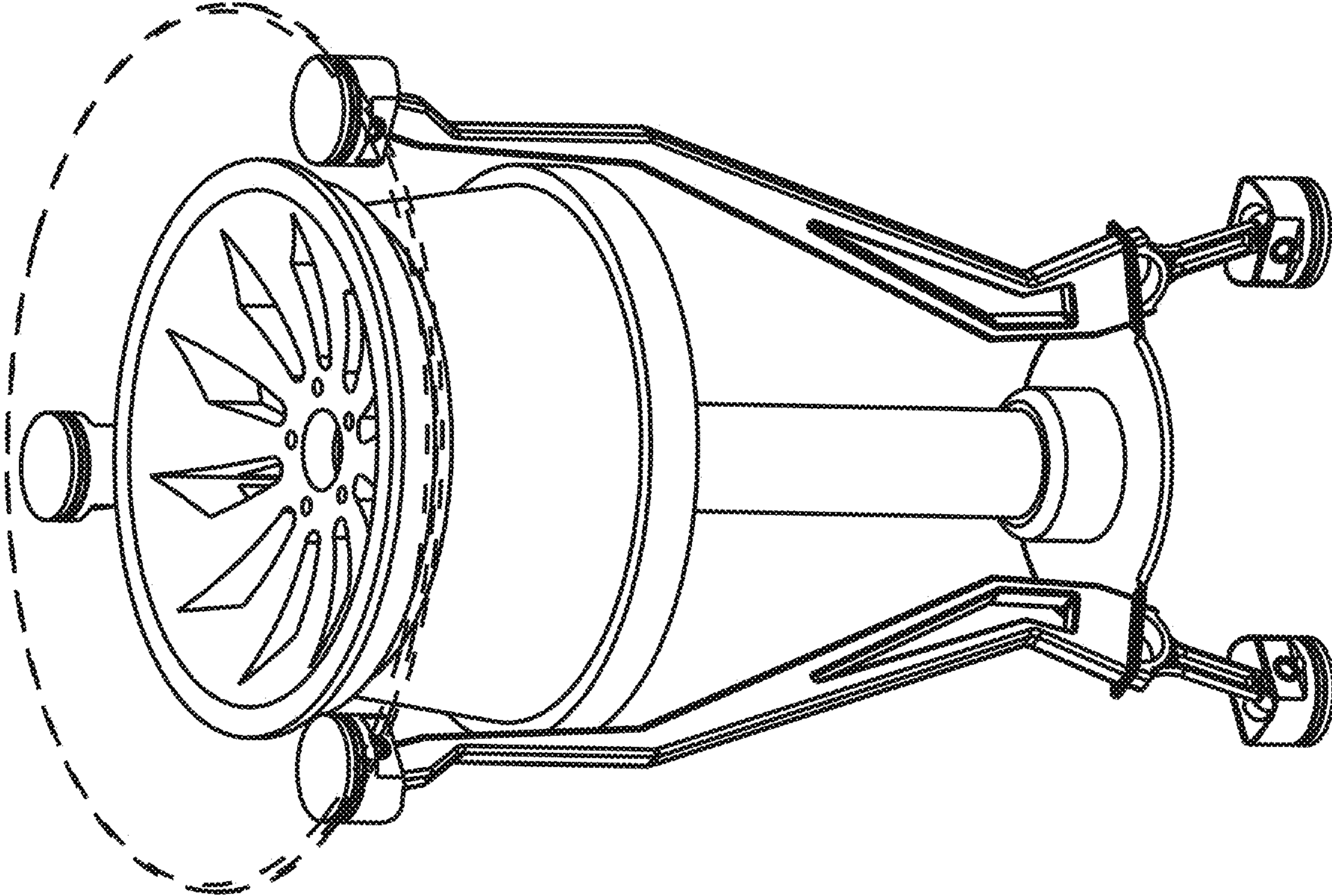


Fig 1

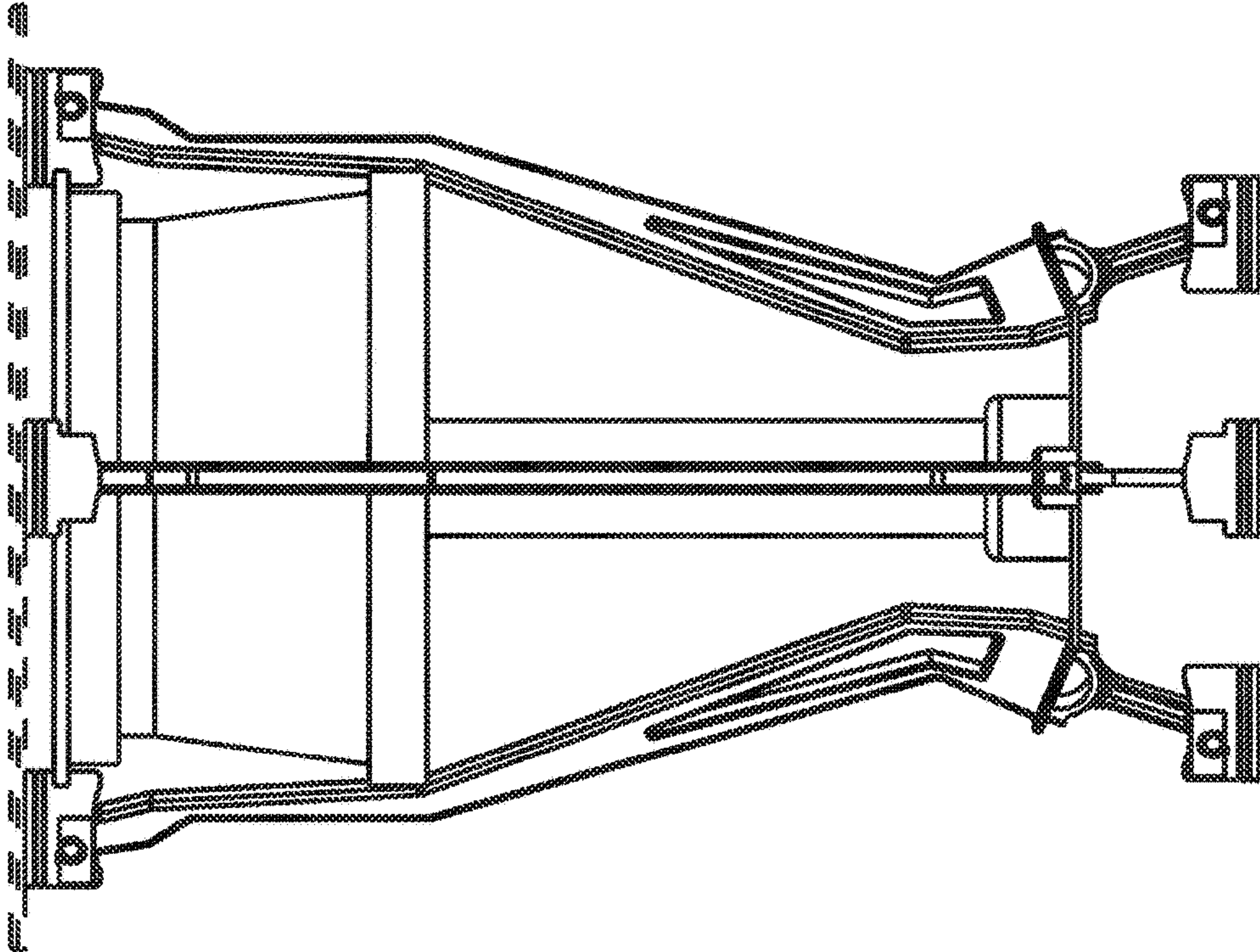


FIG. 2

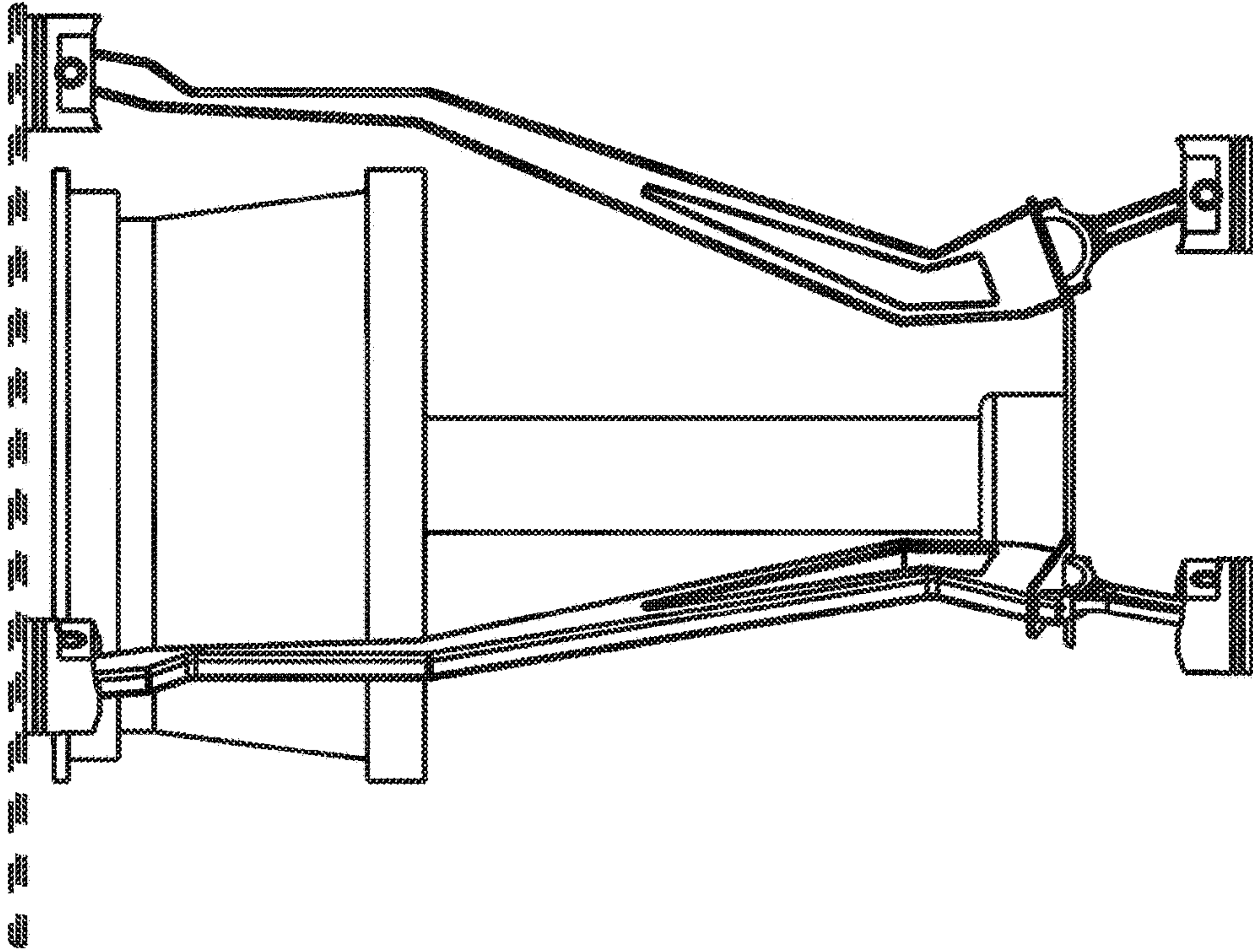


FIG. 3

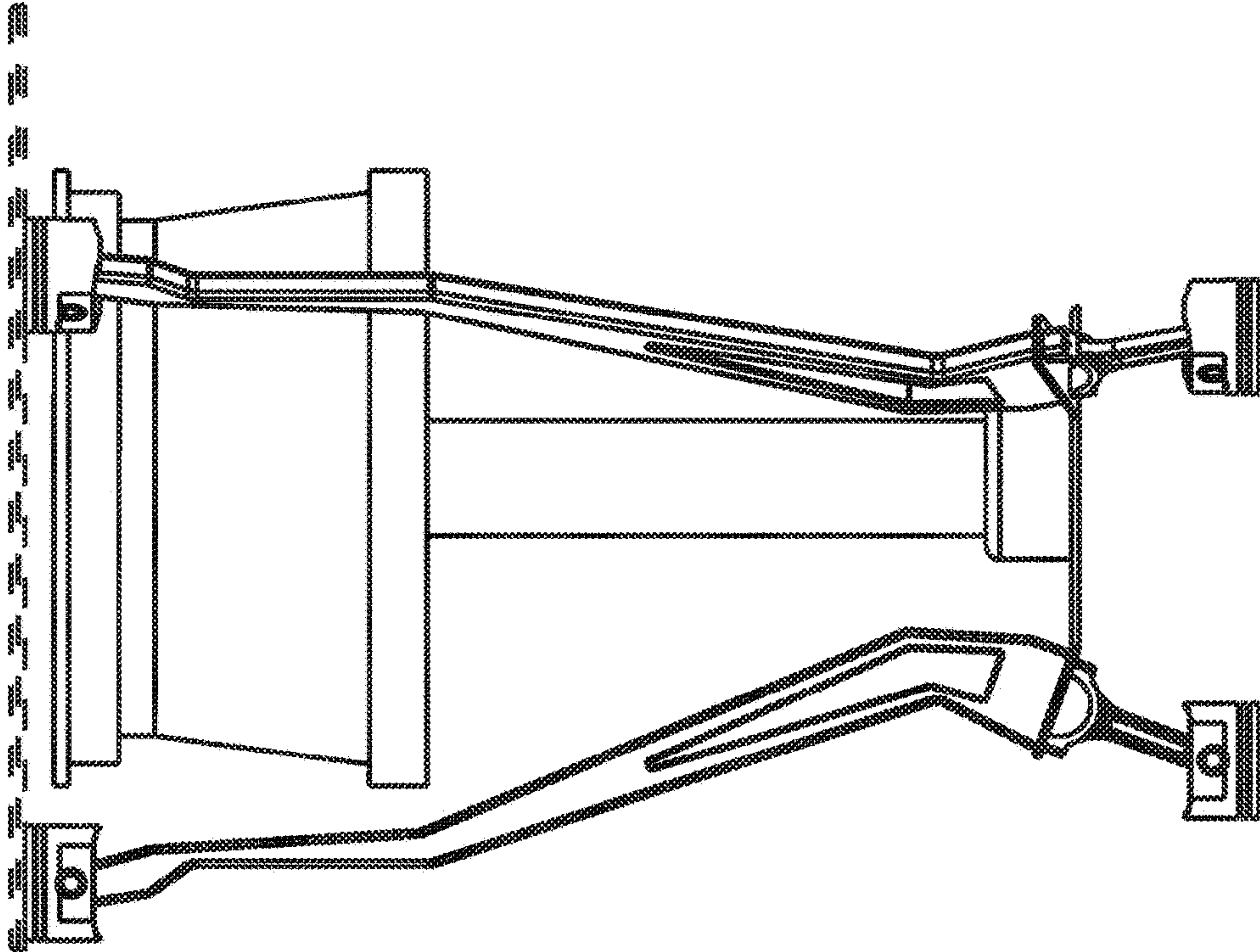


FIG. 4

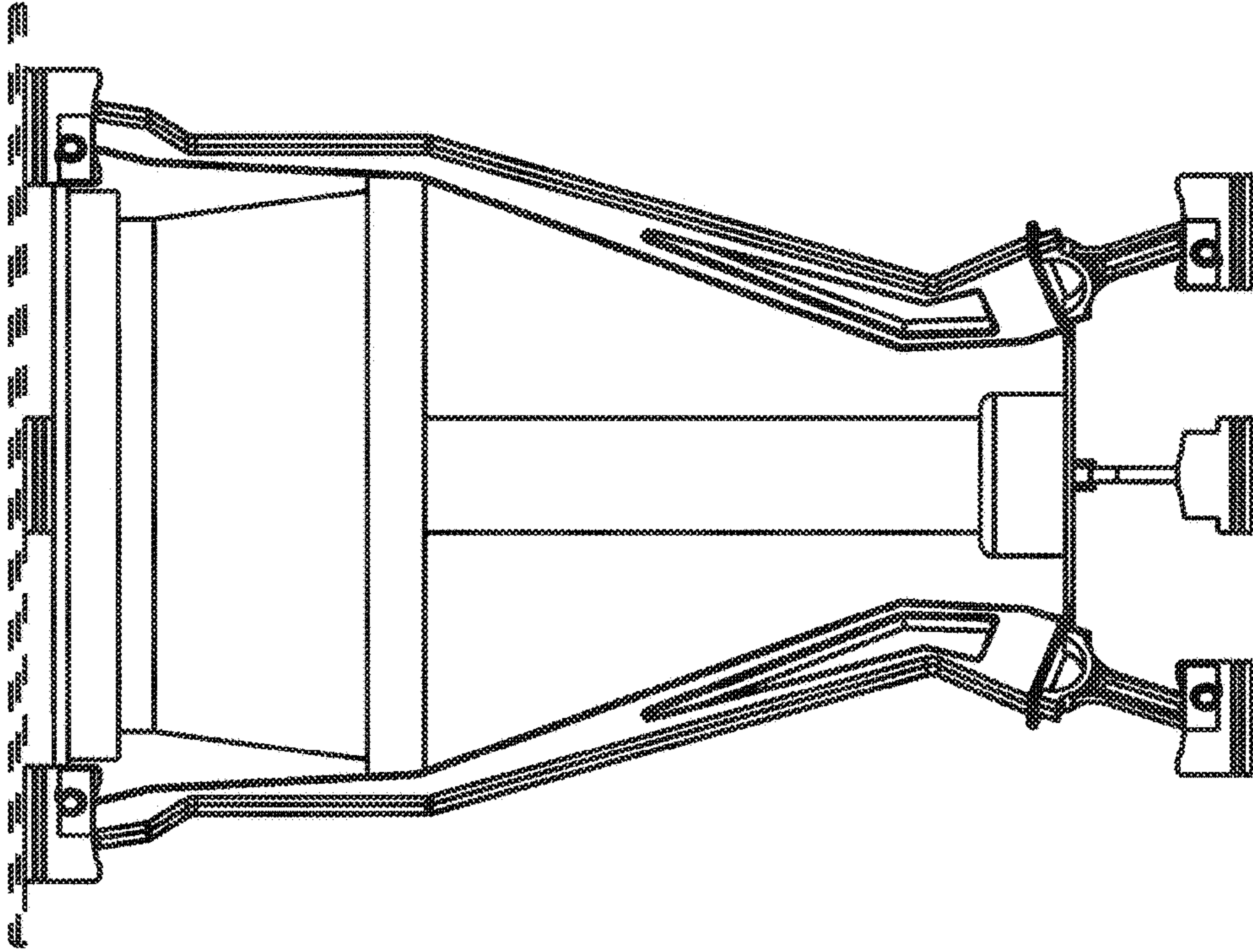


FIG. 5

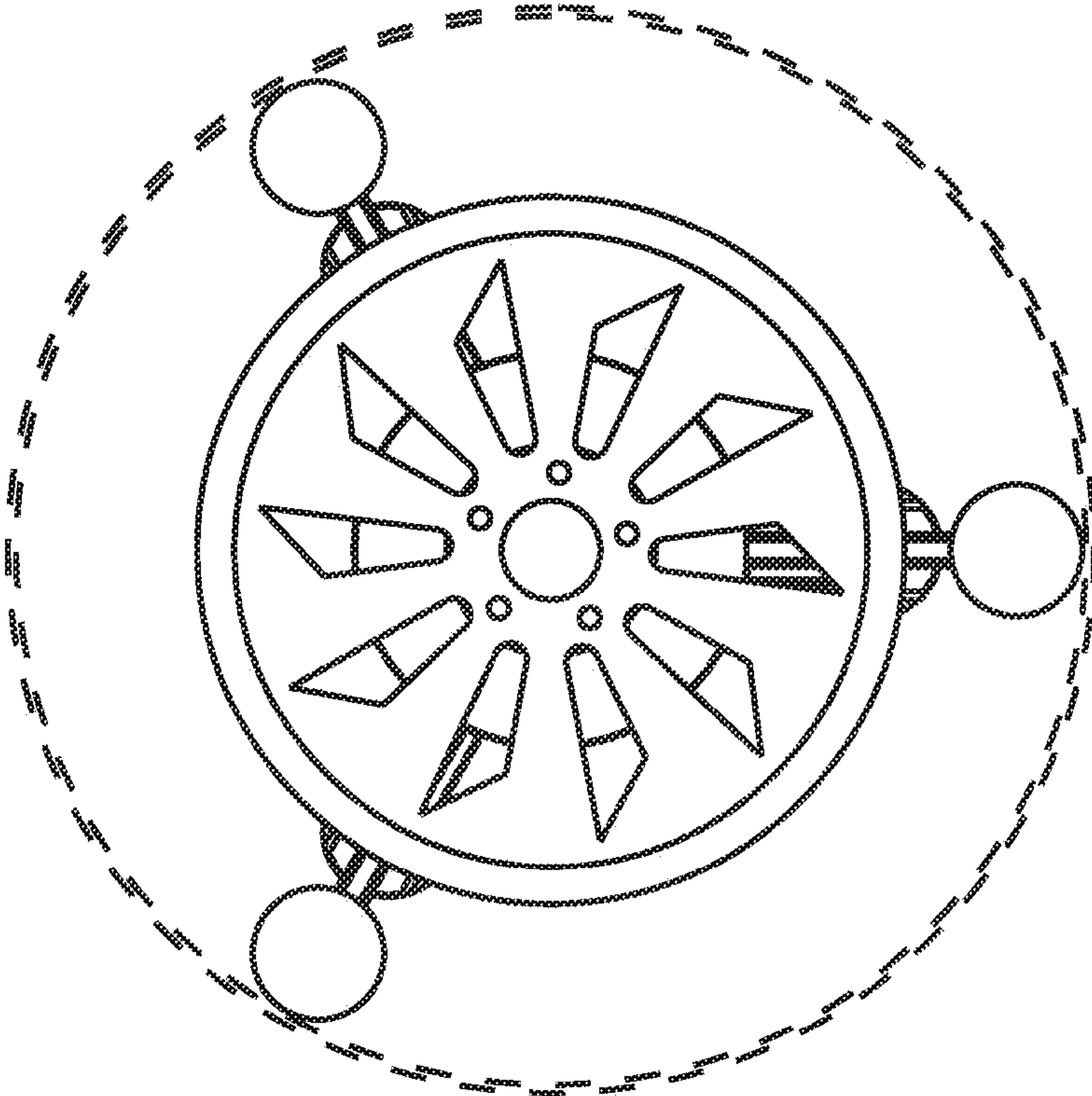


FIG. 6

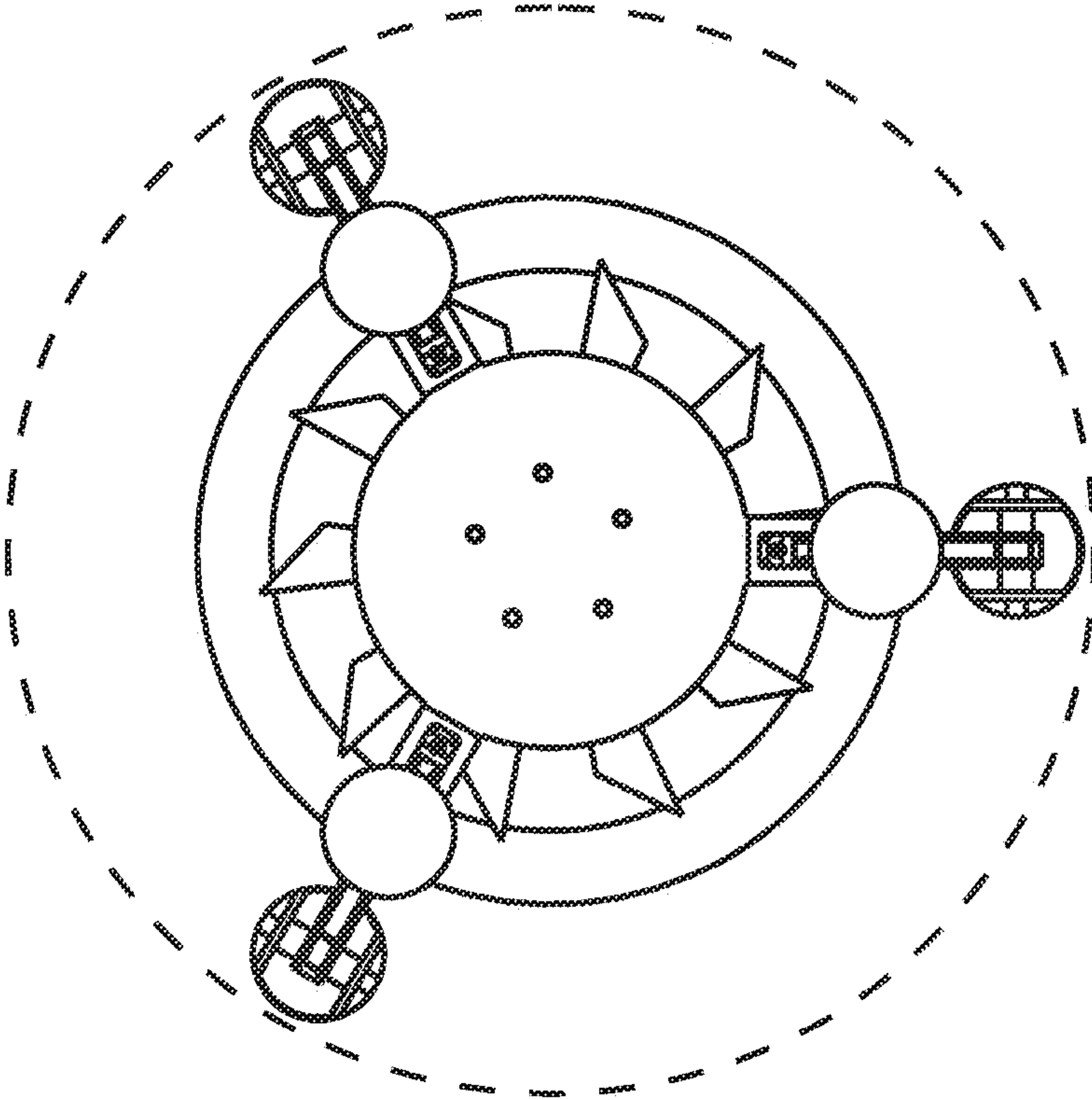


FIG. 7