



US00D919343S

(12) **United States Design Patent**
Wagner, III

(10) **Patent No.:** **US D919,343 S**

(45) **Date of Patent:** **** May 18, 2021**

(54) **TABLE**

D854,864 S * 7/2019 Lim D6/684
D869,867 S * 12/2019 Davis D6/349

(71) Applicant: **Fred A. Wagner, III**, Charlotte, NC
(US)

* cited by examiner

(72) Inventor: **Fred A. Wagner, III**, Charlotte, NC
(US)

Primary Examiner — Mary Ann Calabrese
(74) *Attorney, Agent, or Firm* — Hammer & Associates,
P.C.

(**) Term: **15 Years**

(57) **CLAIM**

(21) Appl. No.: **29/696,206**

The ornamental design for a table, as shown and described.

(22) Filed: **Jun. 26, 2019**

DESCRIPTION

(51) **LOC (13) Cl.** **06-03**

(52) **U.S. Cl.**
USPC **D6/691.6; D6/691.9**

(58) **Field of Classification Search**
USPC D6/349, 685, 686, 691, 691.1–691.9
CPC . A47L 7/00; A47L 13/00; A47L 13/02; A47L
13/04; A47L 13/06; A47L 13/08; A47L
13/10; A47L 13/12; A47L 21/00; A47L
2200/0001; A47L 2200/0011; A47L
2200/002

FIG. 1 is a top perspective view of the table;
FIG. 2 is a bottom perspective view of the table shown in
FIG. 1;
FIG. 3 is a top plan view of the table shown in FIG. 1;
FIG. 4 is a bottom plan view of the table shown in FIG. 1
FIG. 5 is a front elevational view of the table shown in FIG.
1;
FIG. 6 is a rear elevational view of the table shown in FIG.
1;
FIG. 7 is a right side elevational view of the table shown in
FIG. 1; and,
FIG. 8 is a left side elevational view of the table shown in
FIG. 1.

See application file for complete search history.

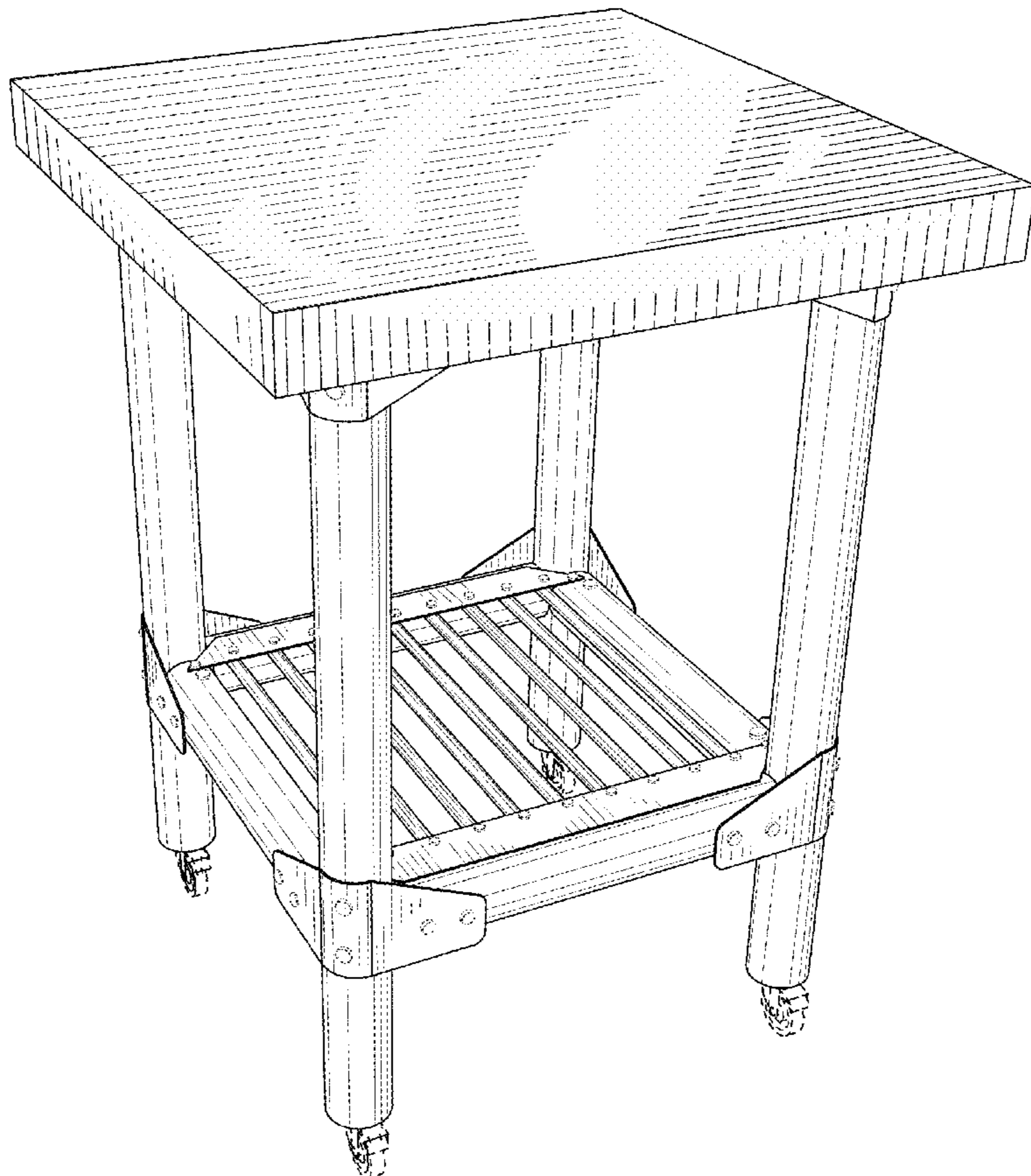
In the drawings, the broken lines show portions of the table
that form no part of the claimed design.

(56) **References Cited**

U.S. PATENT DOCUMENTS

D278,294 S * 4/1985 Dau D6/691.9

1 Claim, 8 Drawing Sheets



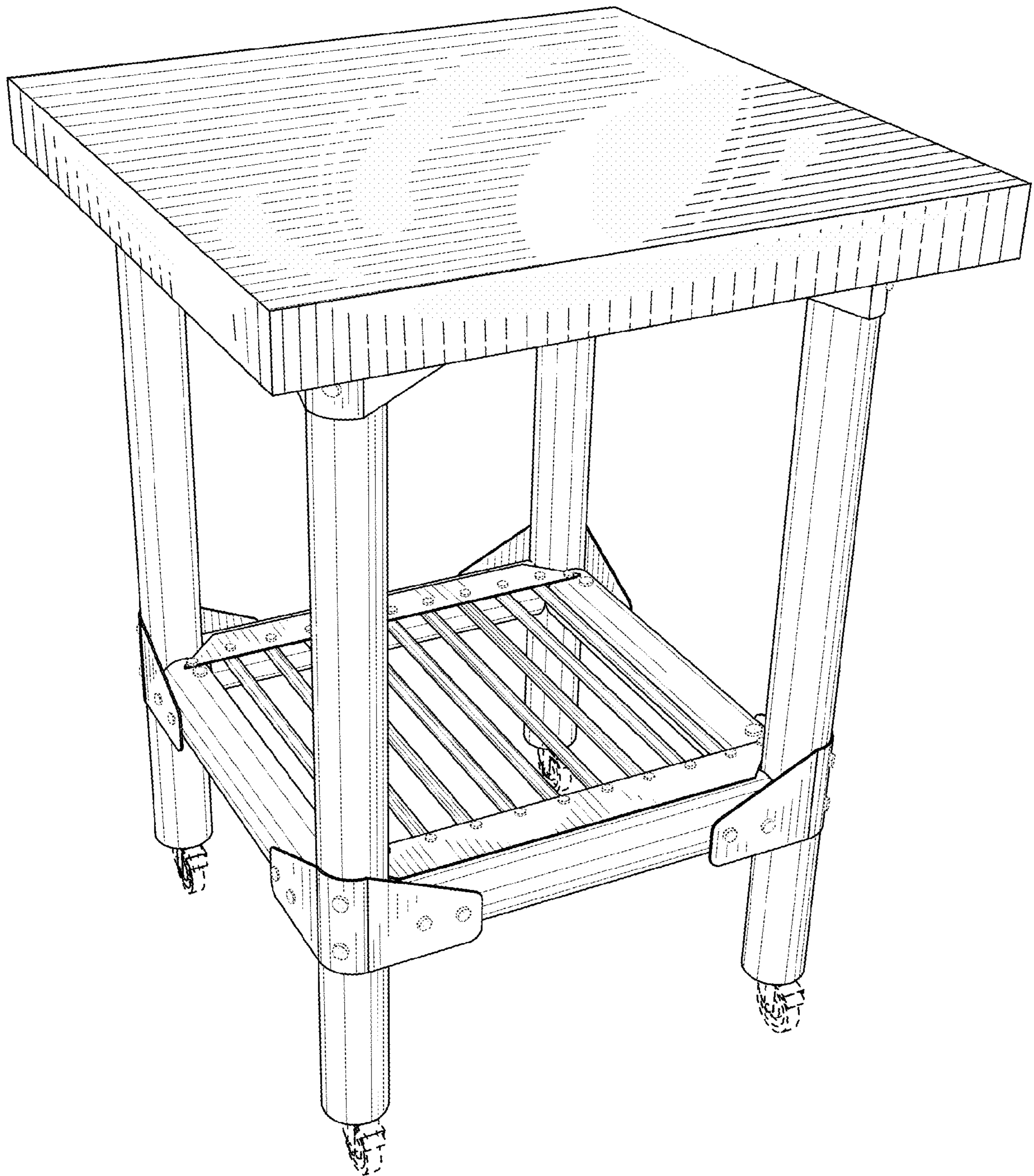


FIG. 1

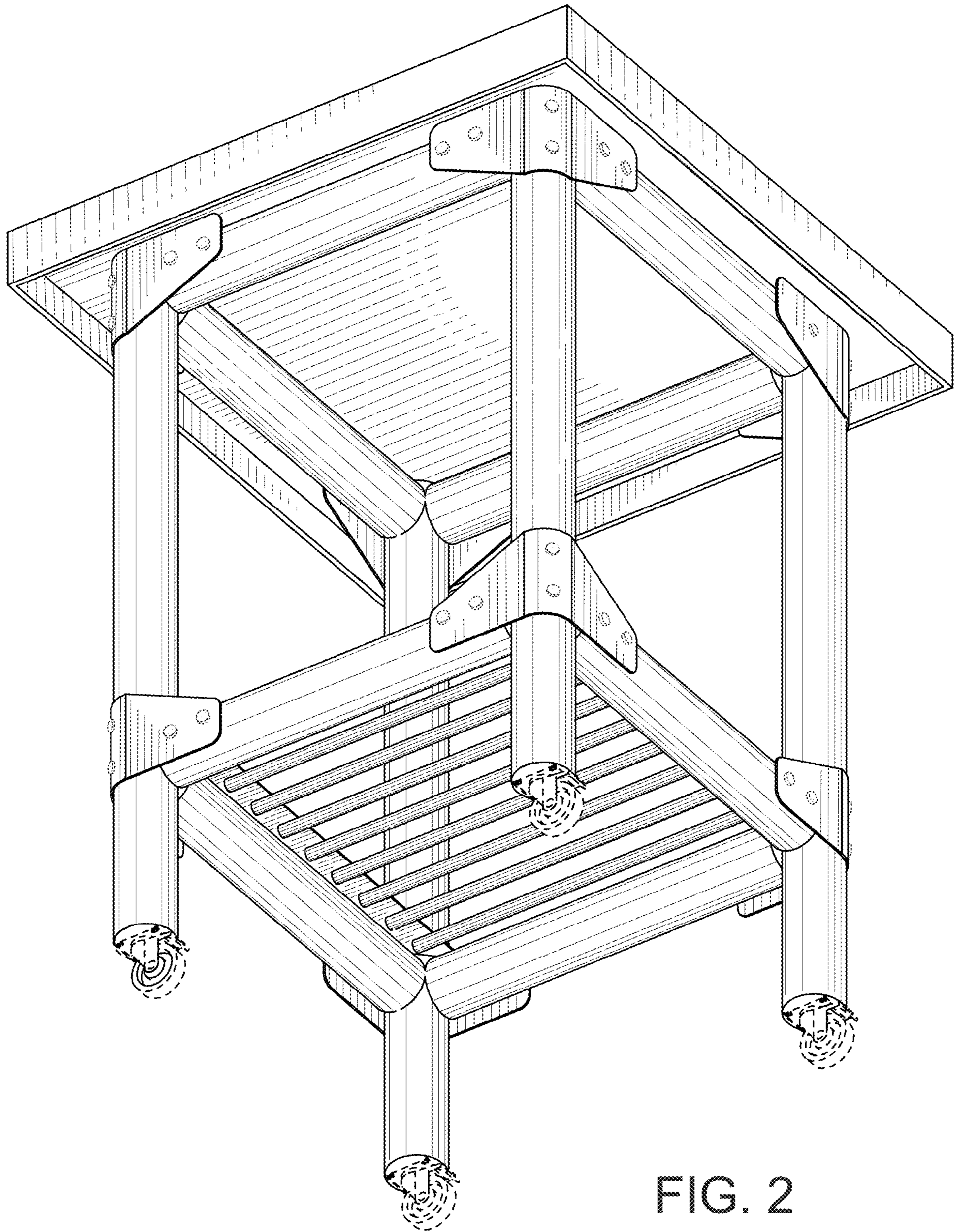


FIG. 2

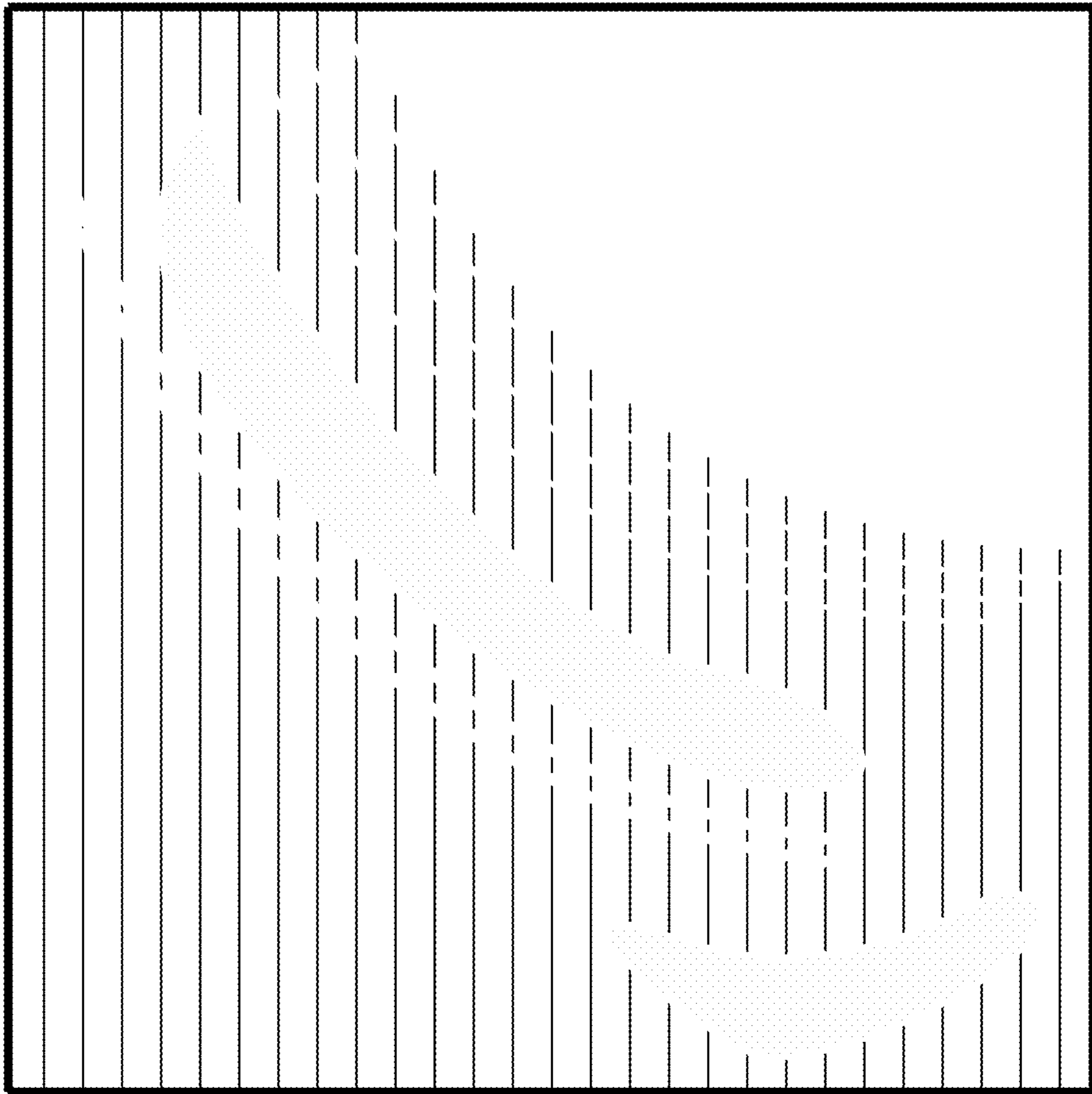


FIG. 3

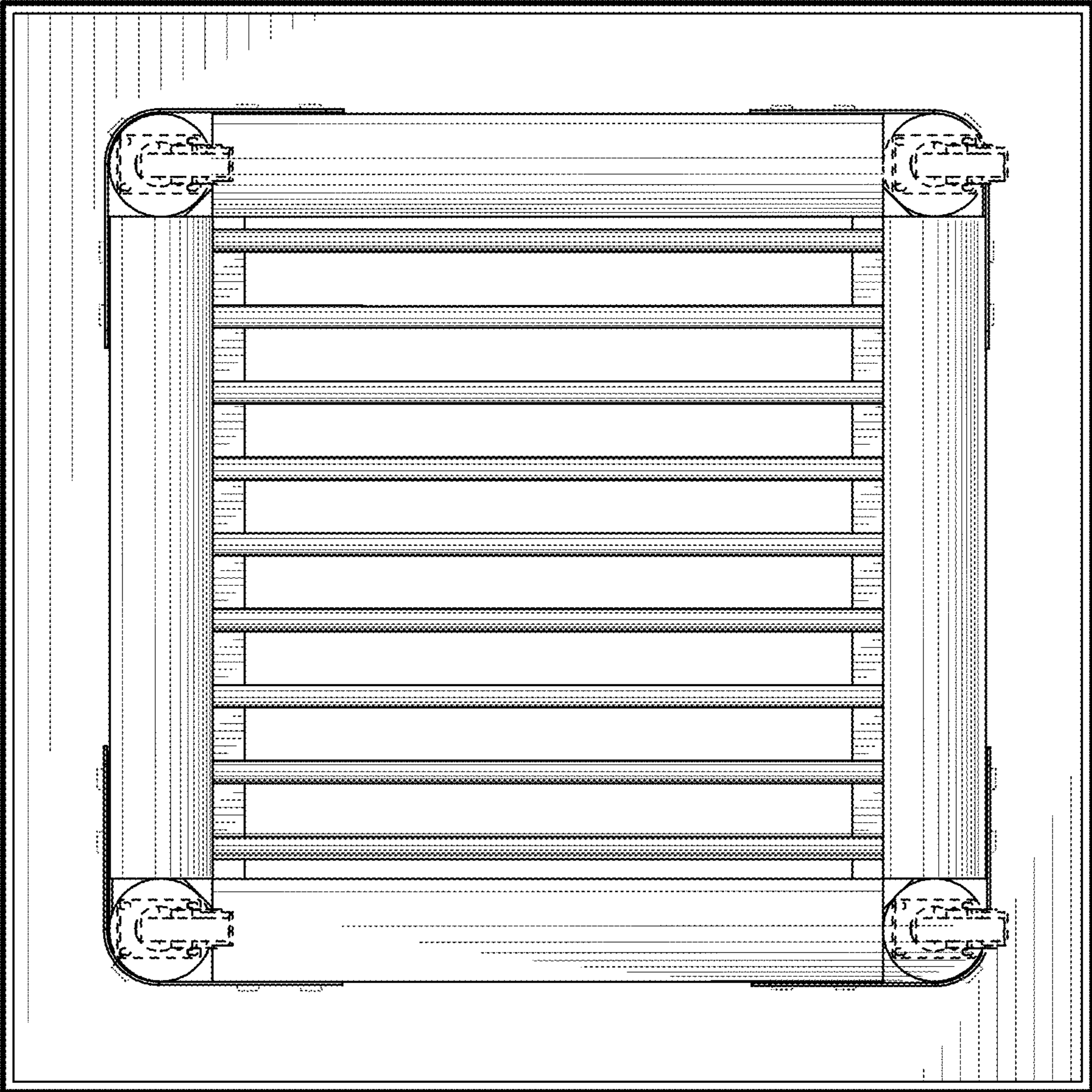


FIG. 4

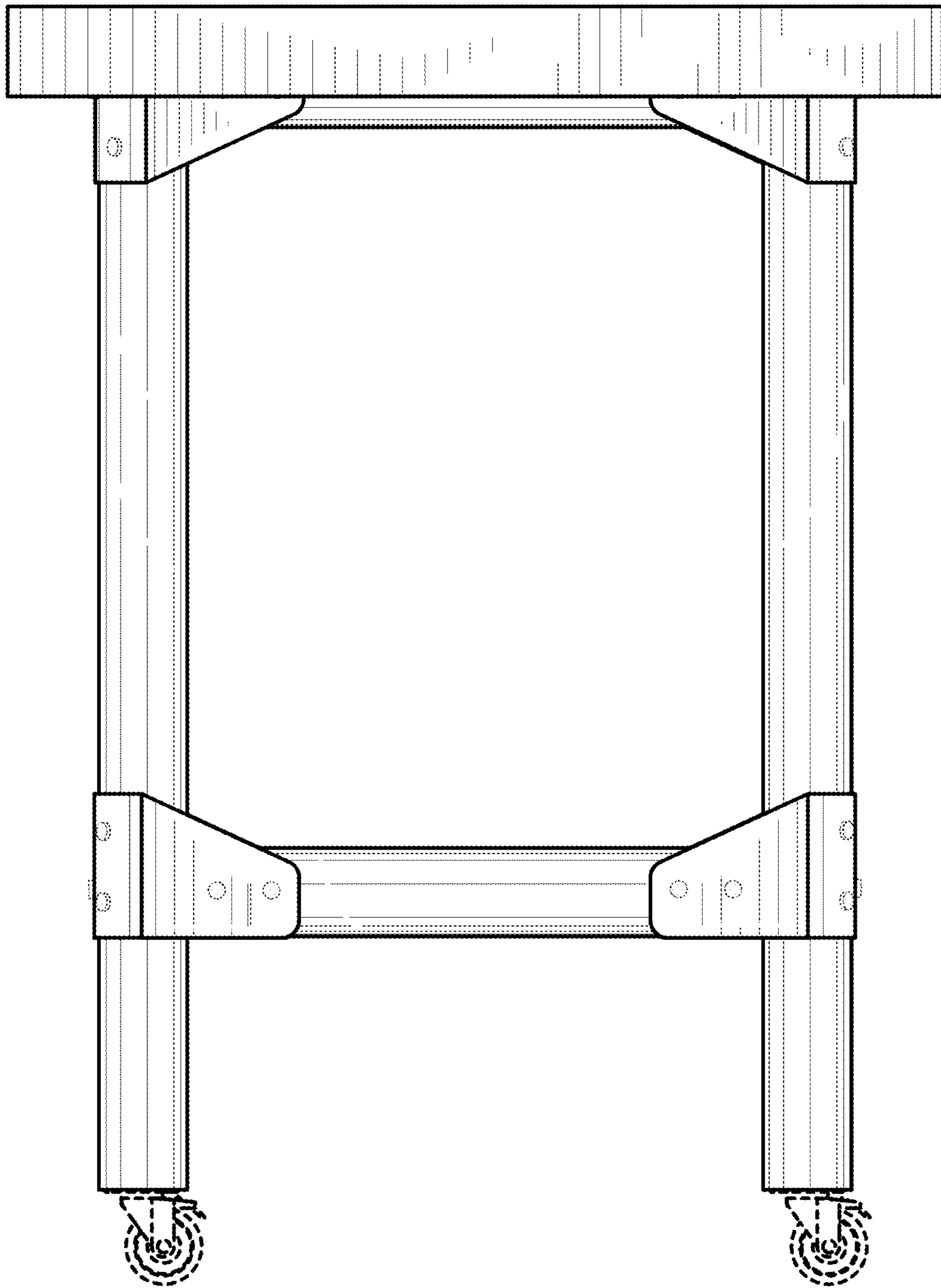


FIG. 5

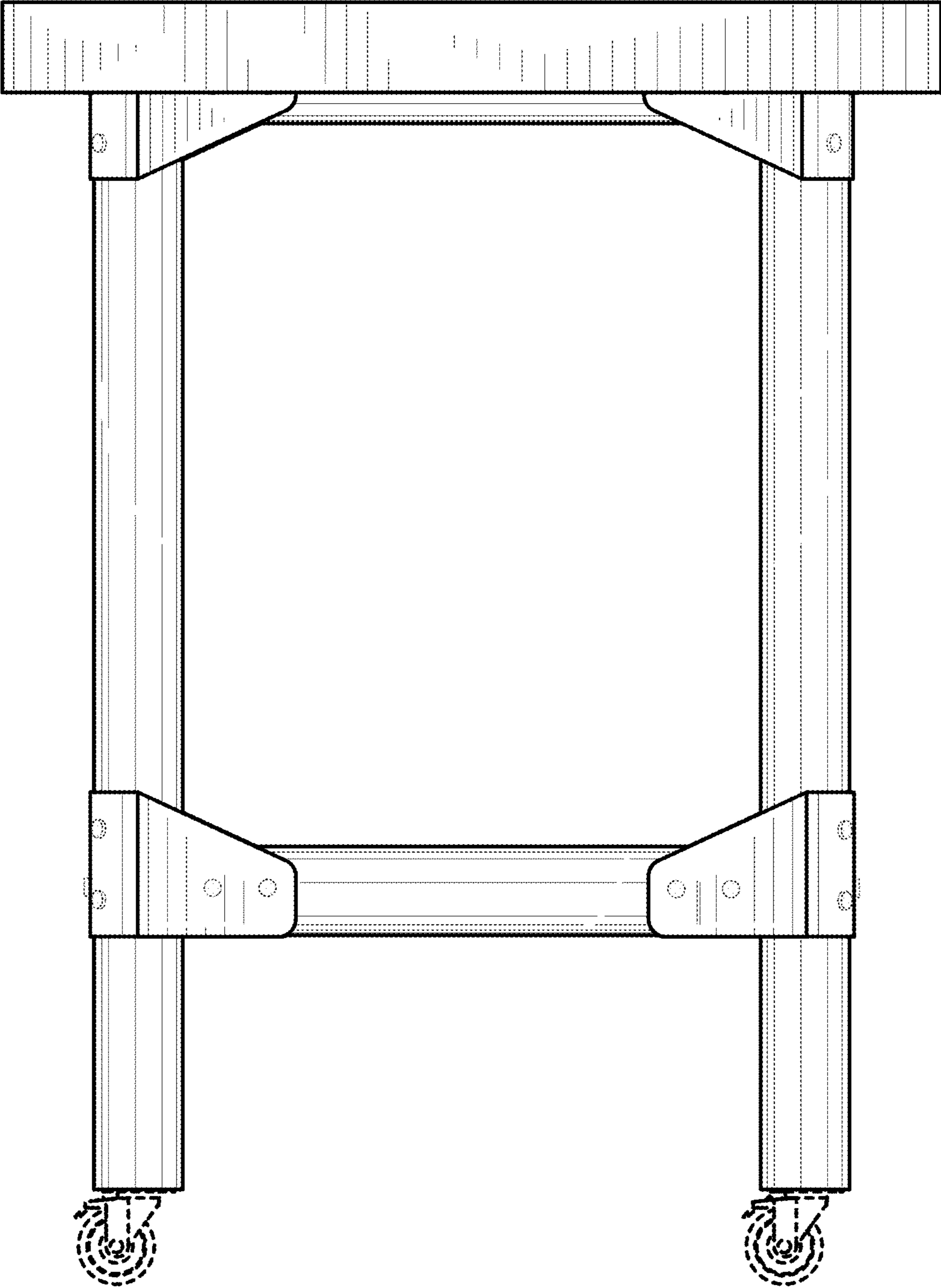


FIG. 6

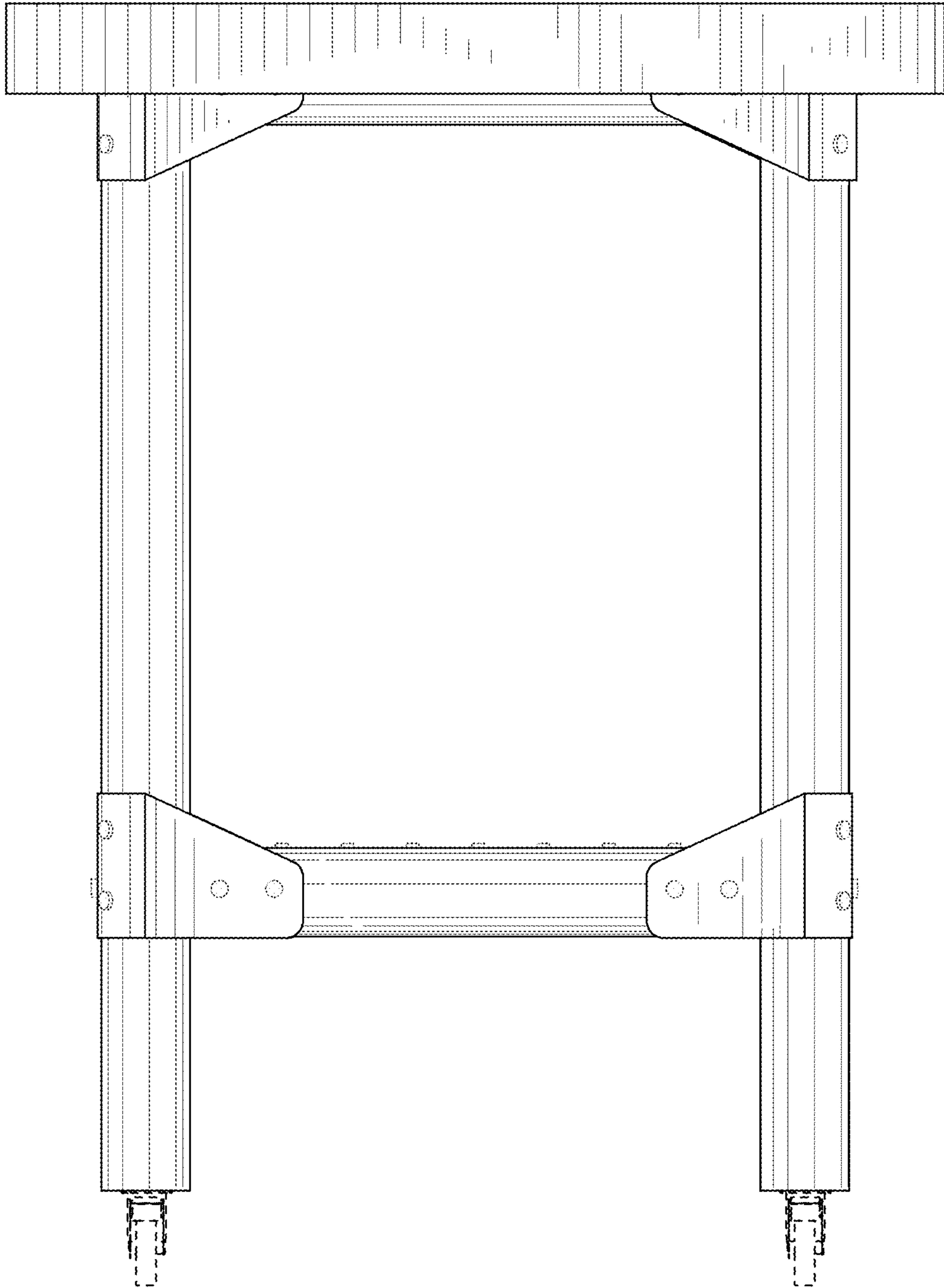


FIG. 7

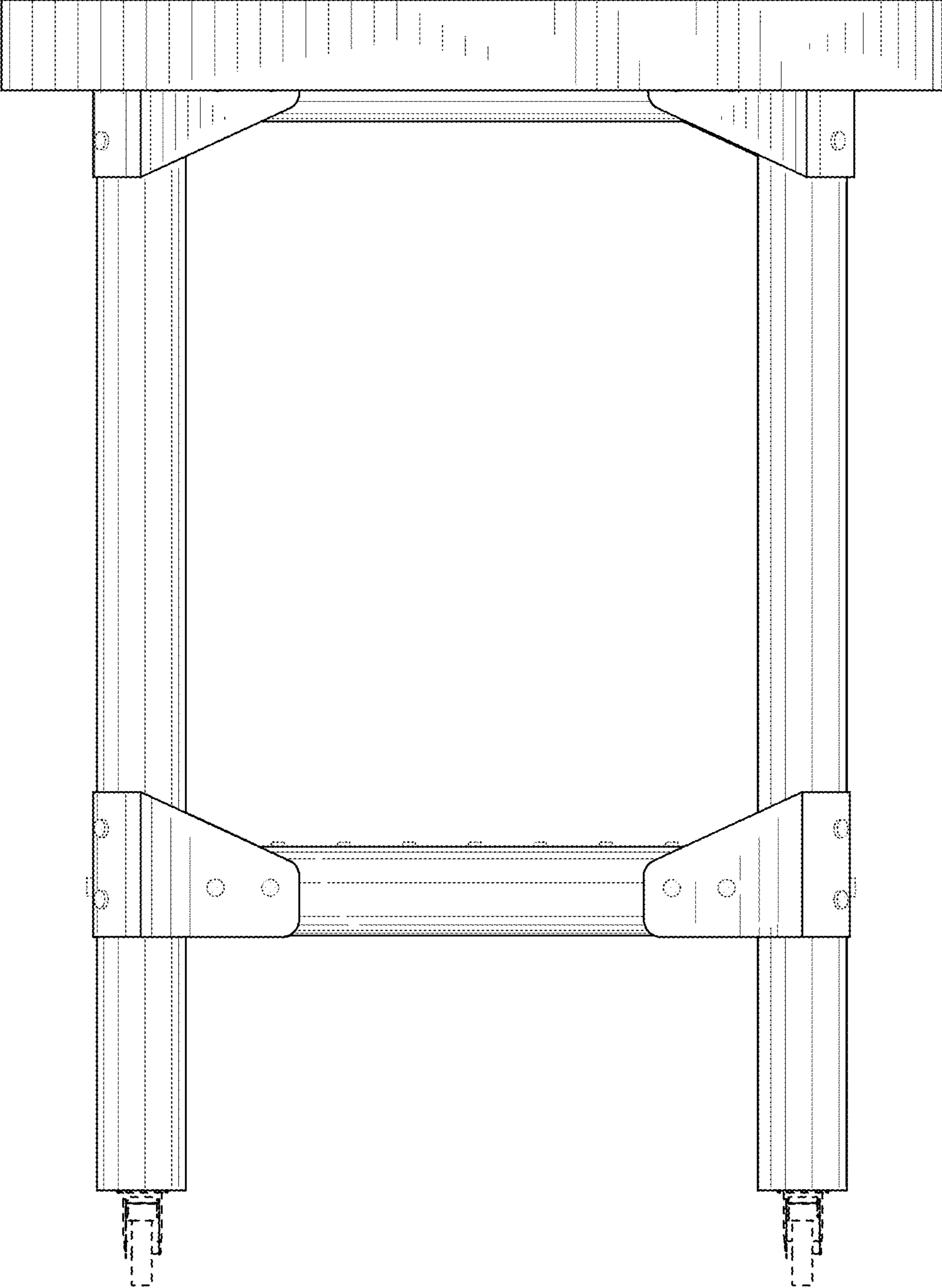


FIG. 8