



US00D919341S

(12) **United States Design Patent** (10) **Patent No.:** **US D919,341 S**  
**Li** (45) **Date of Patent:** **\*\* May 18, 2021**

(54) **JEWELRY ORGANIZER**  
(71) Applicant: **SHENZHEN HONGYIDA TECHNOLOGY CO., LTD**, Shenzhen (CN)  
(72) Inventor: **Hongchao Li**, Shenzhen (CN)  
(73) Assignee: **SHENZHEN HONGYIDA TECHNOLOGY CO., LTD**, Shenzhen (CN)

D467,094 S \* 12/2002 Bodzioch ..... D6/682  
D563,694 S \* 3/2008 Mitchell ..... D6/682.6  
D646,504 S 10/2011 Linscott et al.  
D655,530 S \* 3/2012 Denby ..... D6/681.1  
D683,096 S \* 5/2013 Stumpo ..... D32/58  
9,107,514 B1 \* 8/2015 Morieras ..... A47F 7/02  
D761,601 S \* 7/2016 Simmons ..... D6/681  
D807,037 S 1/2018 O'Malley  
10,092,116 B1 \* 10/2018 Johns ..... A47F 7/022  
D848,187 S \* 5/2019 Lee ..... D6/681.1  
D888,473 S \* 6/2020 Li ..... D6/682.6  
D888,474 S 6/2020 Li  
D908,409 S \* 1/2021 Chiang ..... D6/681  
D910,350 S \* 2/2021 Chiang ..... D6/681

(\*\*) Term: **15 Years**

\* cited by examiner

(21) Appl. No.: **29/759,365**

*Primary Examiner* — Kelley A Donnelly

(22) Filed: **Nov. 23, 2020**

(51) **LOC (13) Cl.** ..... **06-06**

(57) **CLAIM**

(52) **U.S. Cl.**  
USPC ..... **D6/682.6**

The ornamental design for a jewelry organizer, as shown and described.

(58) **Field of Classification Search**  
USPC ..... D6/672, 675, 675.1, 678, 678.1, 680.2, D6/681, 681.1, 682, 682.5, 682.6  
CPC .. A47F 5/04; A47F 5/0876; A47F 7/00; A47F 7/02; A47F 5/10  
See application file for complete search history.

**DESCRIPTION**

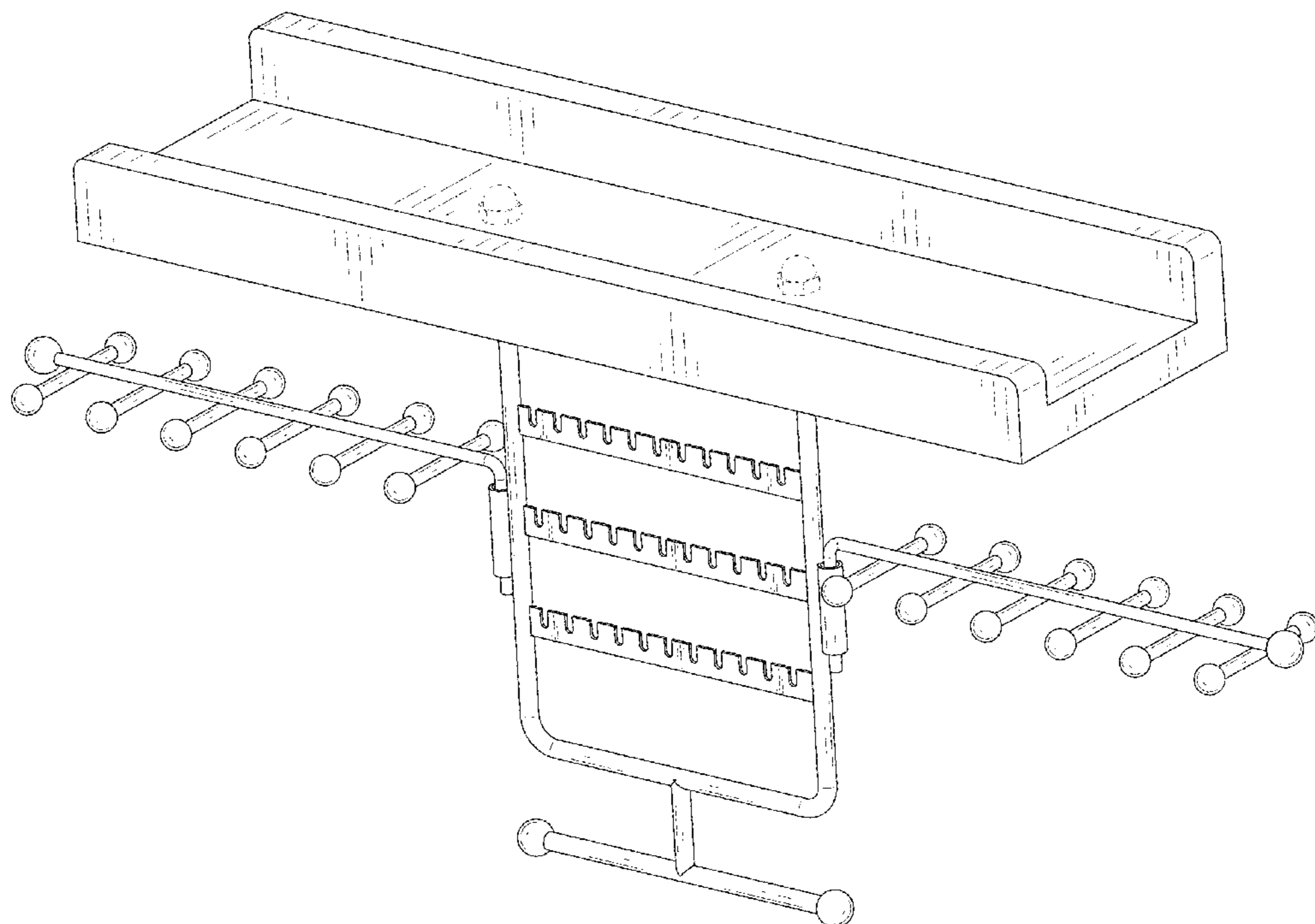
FIG. 1 is a perspective view of a jewelry organizer showing my new design;  
FIG. 2 is another perspective view thereof;  
FIG. 3 is another perspective view thereof;  
FIG. 4 is a front elevational view thereof;  
FIG. 5 is a rear elevational view thereof;  
FIG. 6 is a left side elevational view thereof;  
FIG. 7 is a right side elevational view thereof;  
FIG. 8 is a top plan view thereof; and,  
FIG. 9 is a bottom plan view thereof.  
The broken lines in the drawings depict portions of the jewelry organizer that form no part of the claimed design.

(56) **References Cited**

**U.S. PATENT DOCUMENTS**

D336,574 S \* 6/1993 Rhodes ..... D6/681.3  
D352,190 S \* 11/1994 Tucker ..... D6/681.1  
5,568,872 A \* 10/1996 Hinnant, Sr. .... A47F 7/021  
211/85.1  
D396,363 S \* 7/1998 Skrum ..... D6/682.2  
D458,770 S \* 6/2002 Walter ..... D6/681.1  
D459,106 S \* 6/2002 Walter ..... D6/681.1

**1 Claim, 9 Drawing Sheets**



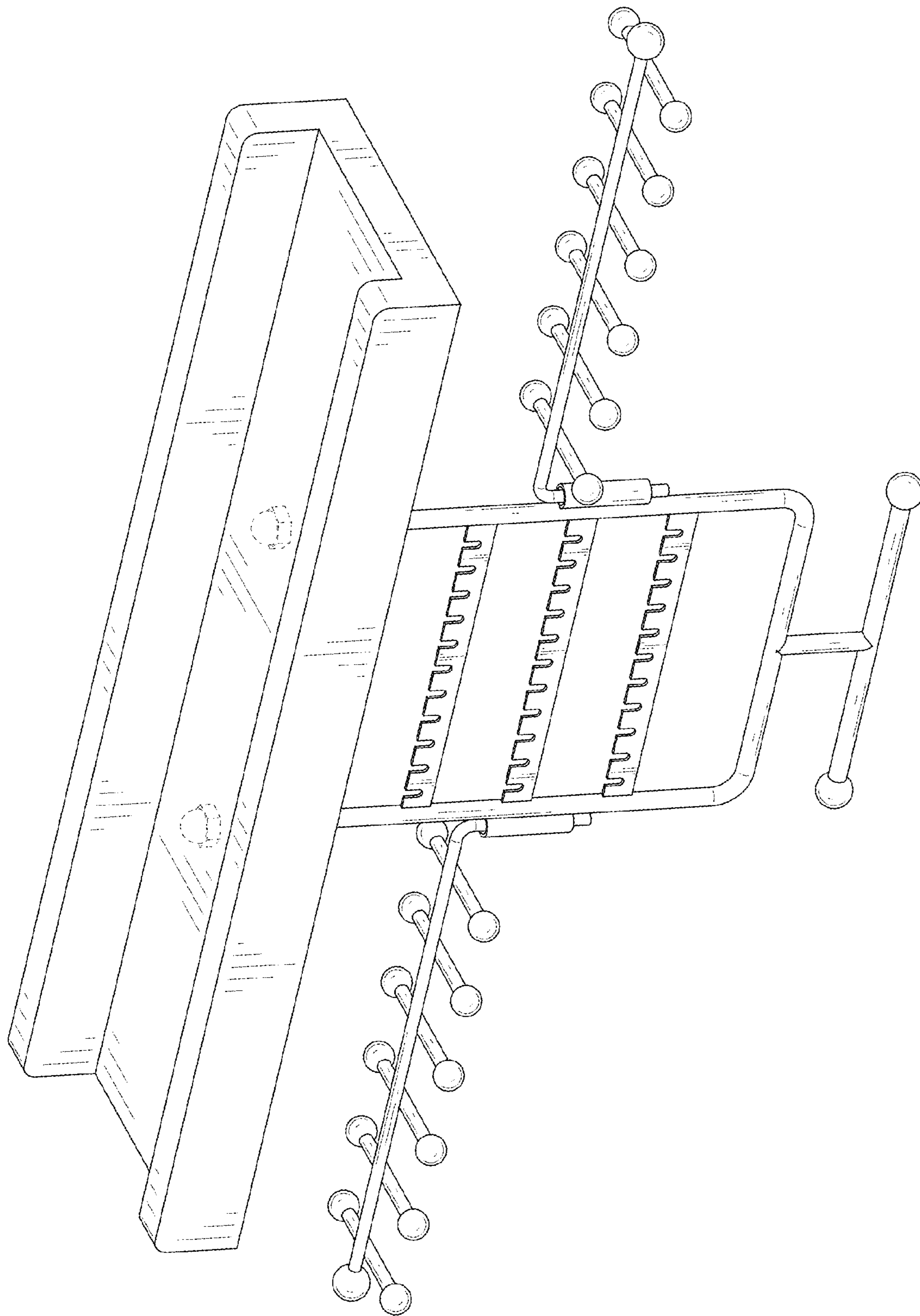


FIG. 1

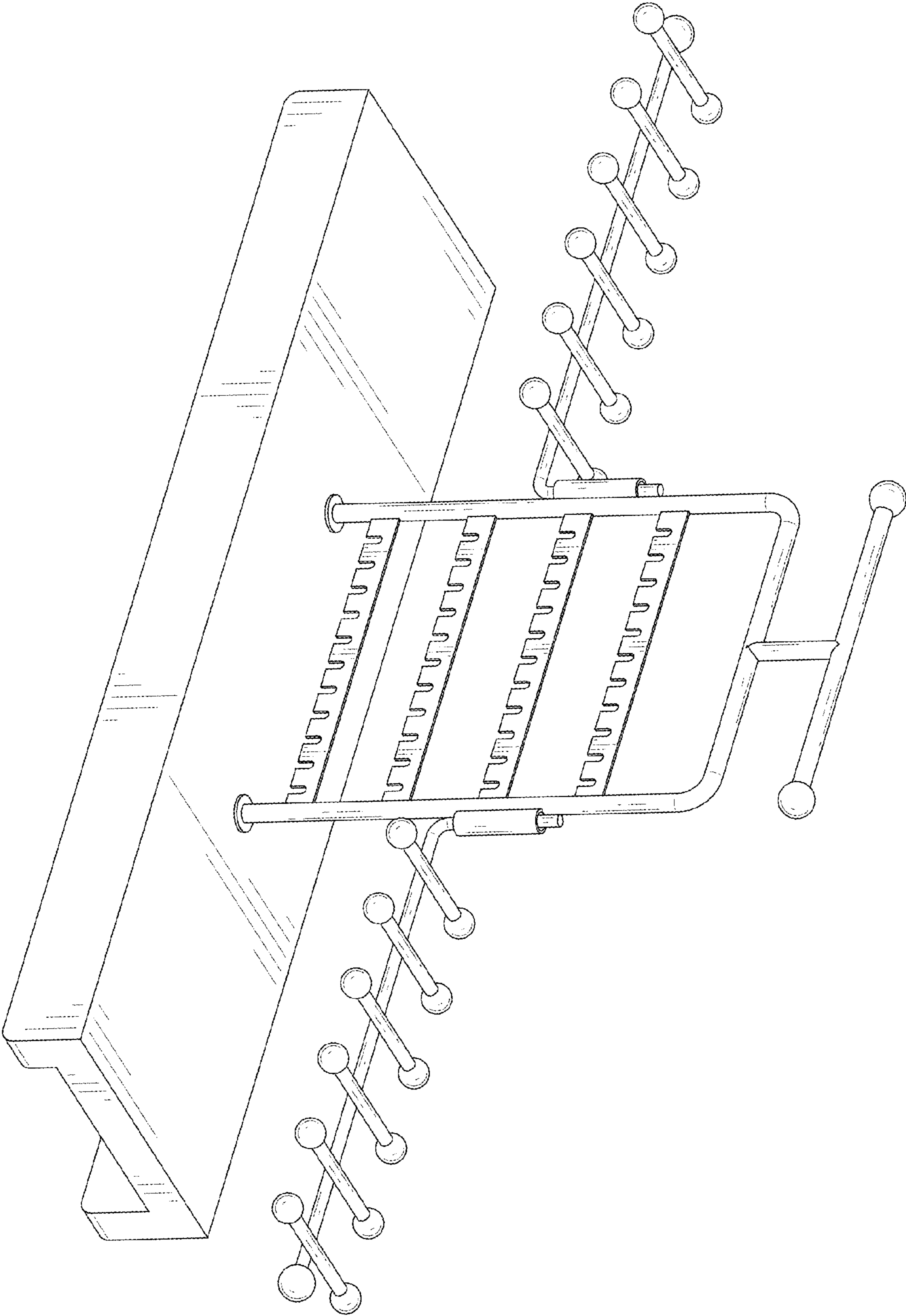


FIG. 2

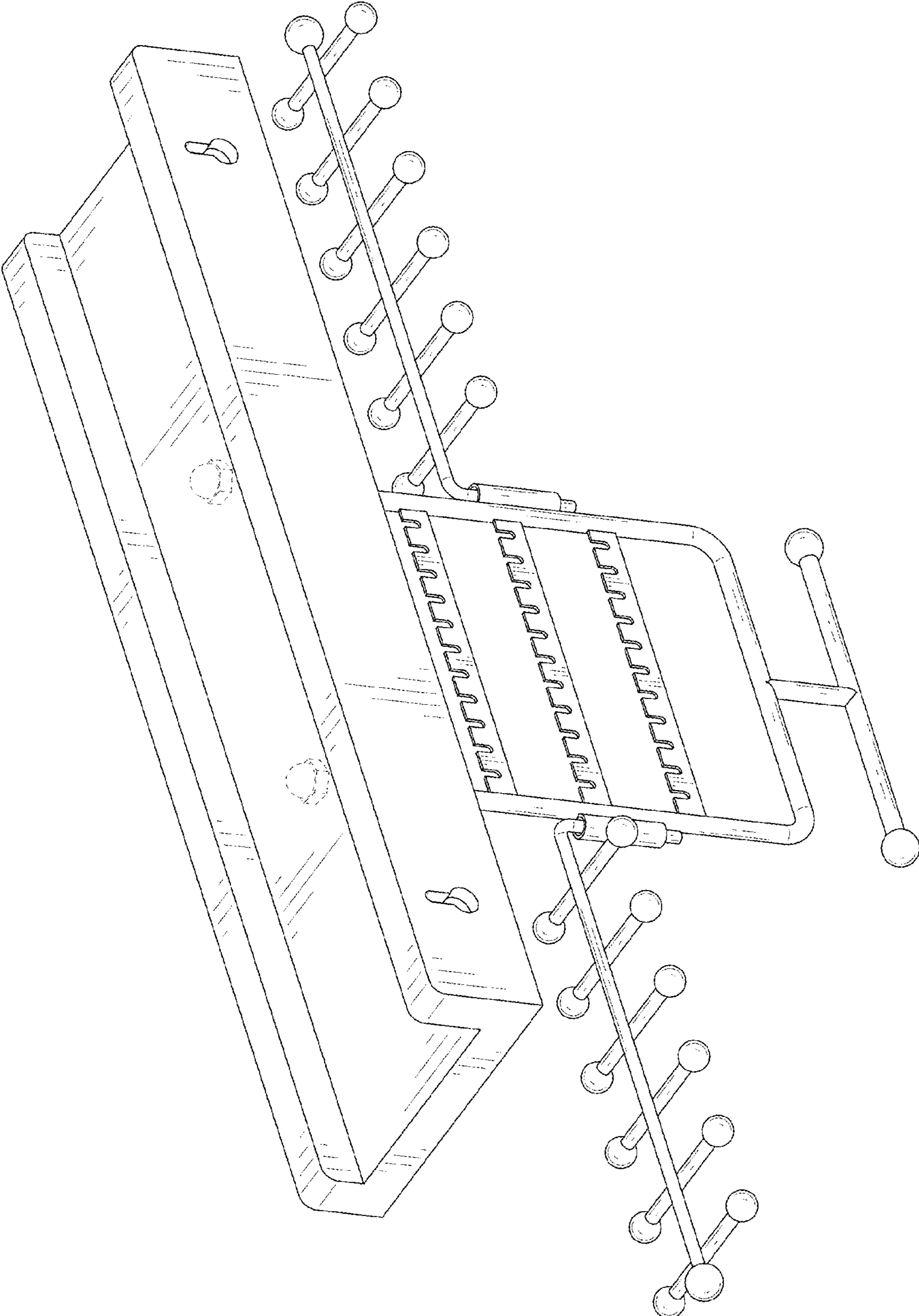


FIG. 3

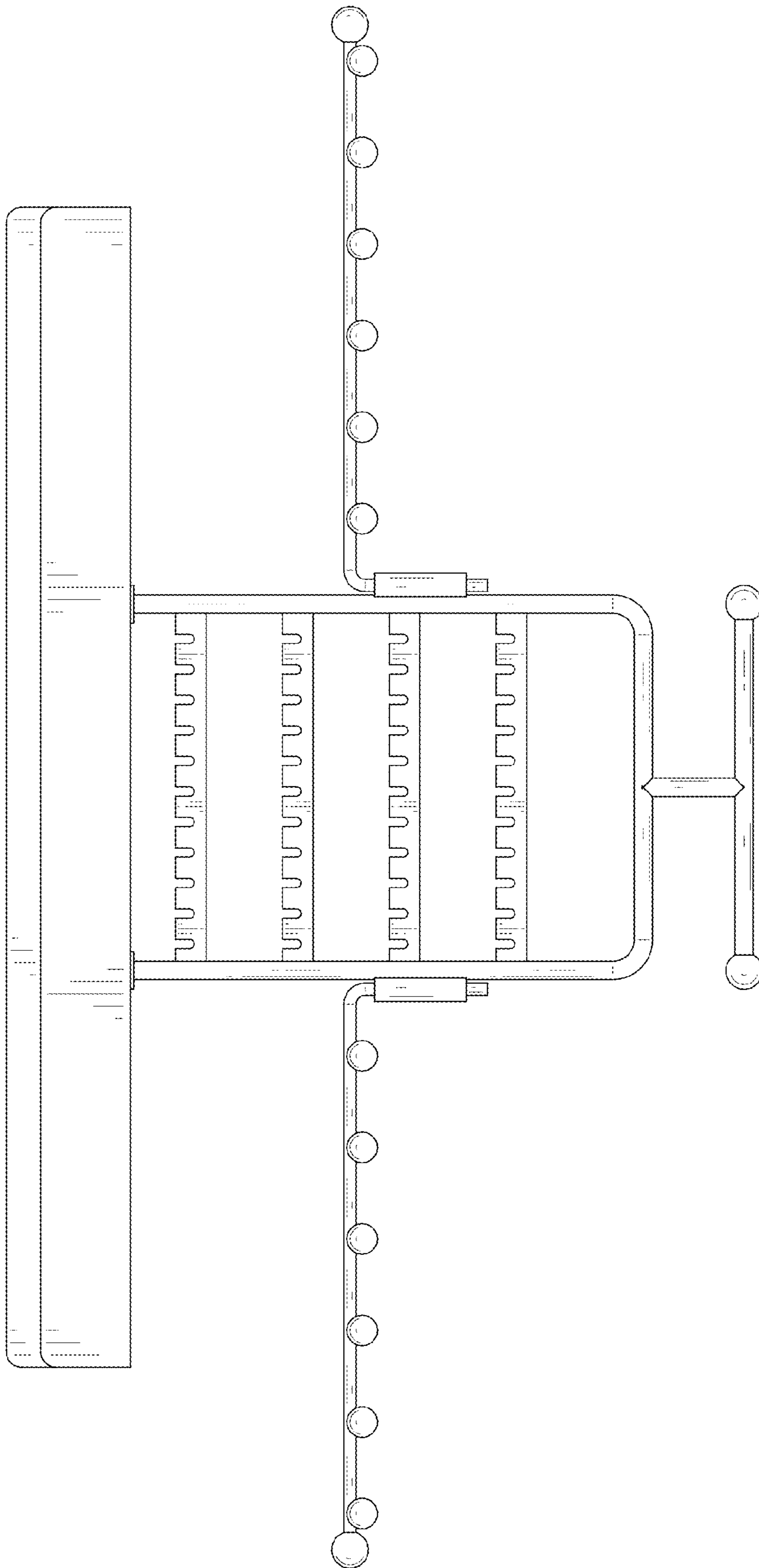


FIG. 4

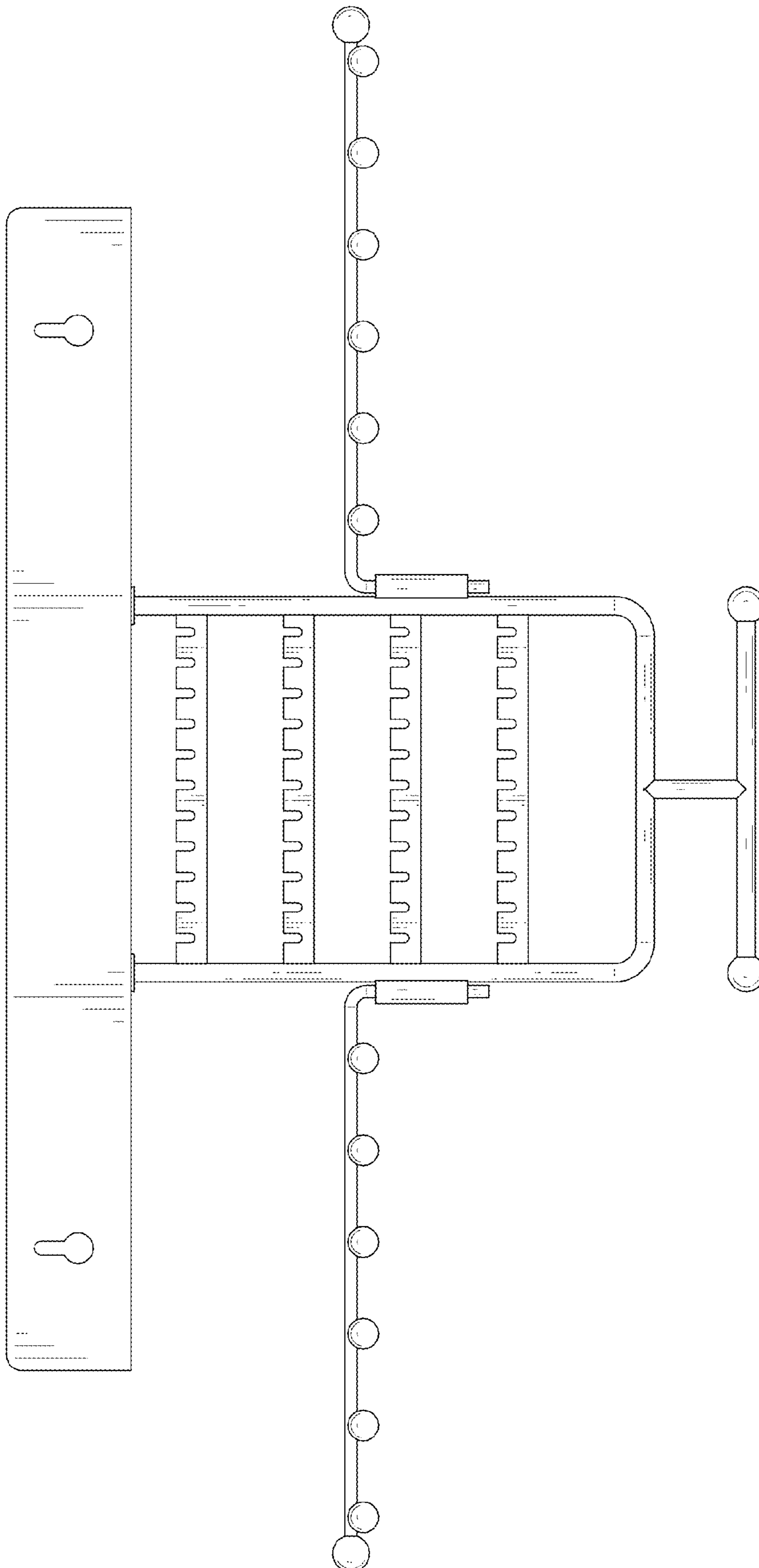


FIG. 5

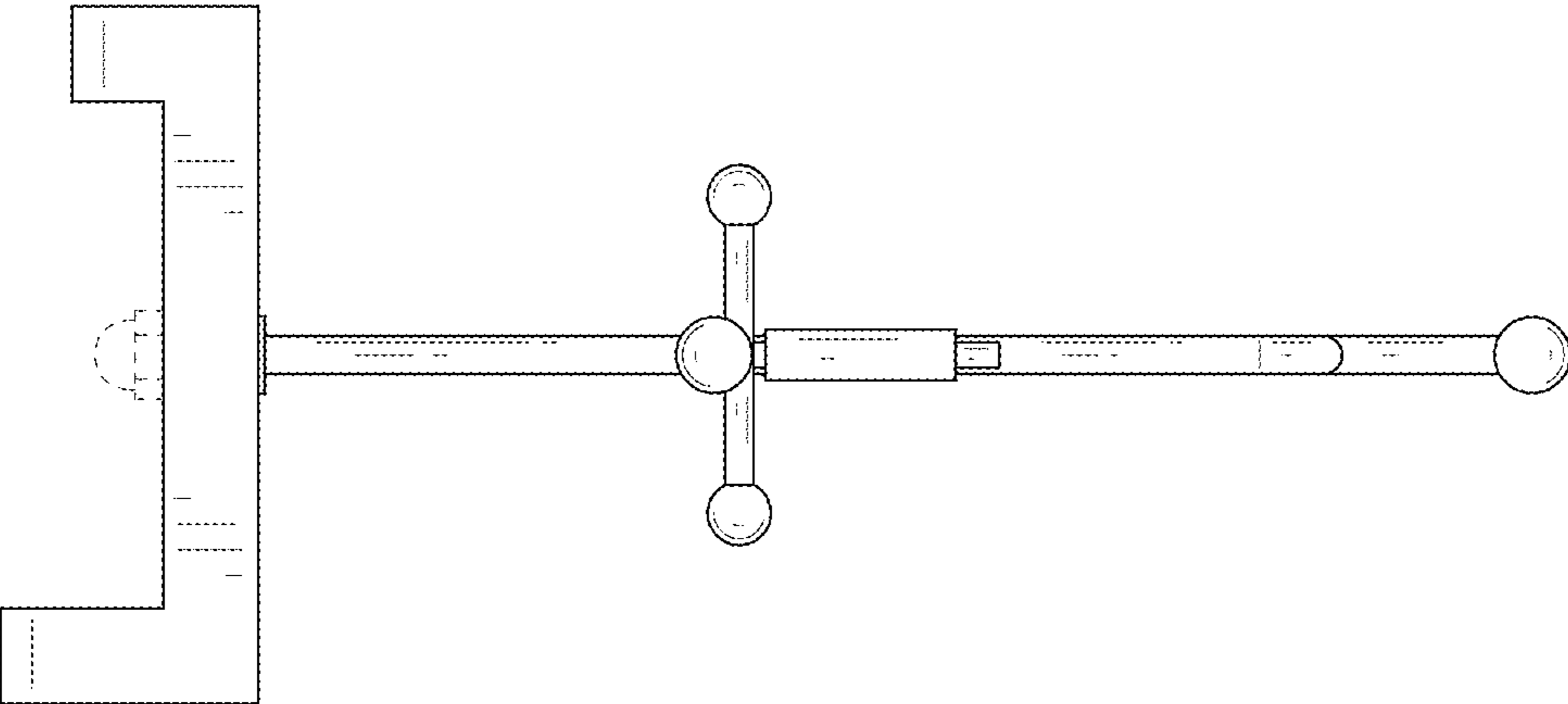


FIG. 6

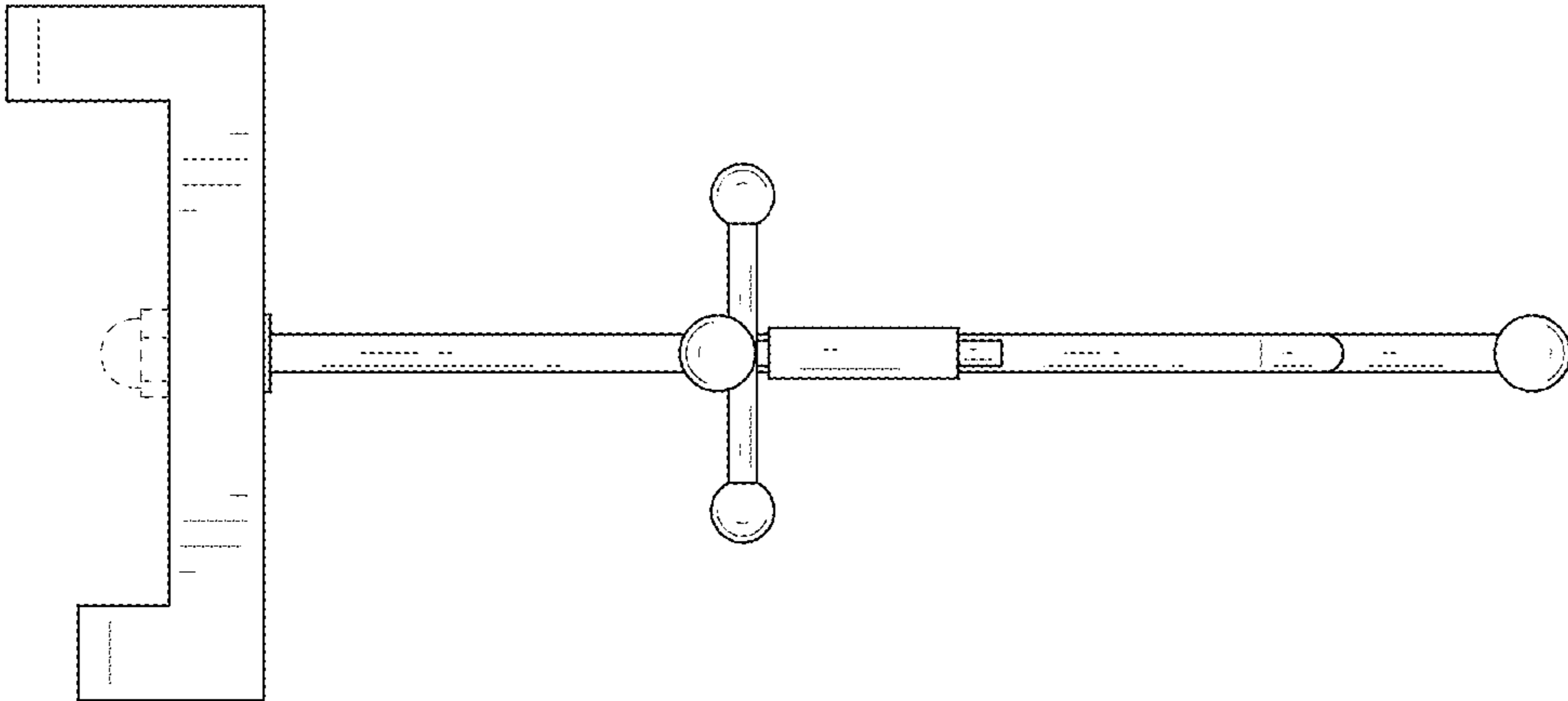


FIG. 7



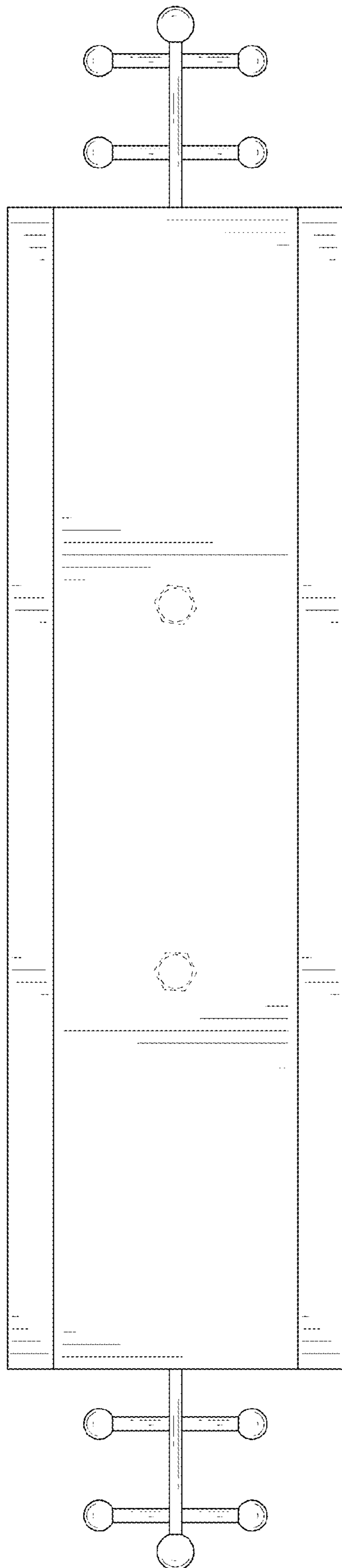


FIG. 8

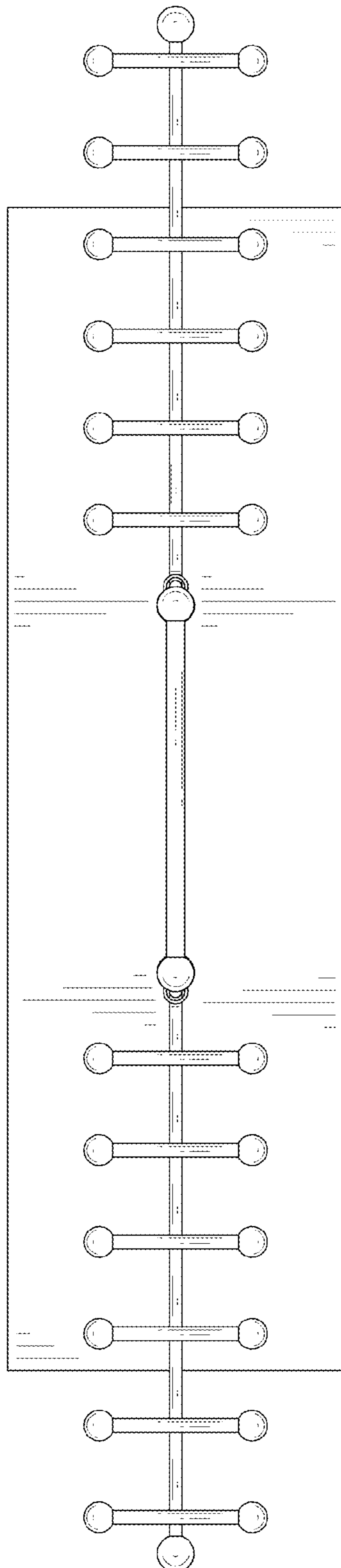


FIG. 9