



US00D919340S

(12) **United States Design Patent**
Obitts et al.

(10) **Patent No.:** **US D919,340 S**
(45) **Date of Patent:** **** May 18, 2021**

- (54) **PRODUCT STOPPER**
- (71) Applicant: **Fasteners for Retail, Inc.**, Twinsburg, OH (US)
- (72) Inventors: **Shane Obitts**, Elyria, OH (US);
Michael Eric Liedtke, Kent, OH (US)
- (73) Assignee: **Fasteners for Retail, Inc.**, Twinsburg, OH (US)
- (**) Term: **15 Years**
- (21) Appl. No.: **29/714,228**
- (22) Filed: **Nov. 21, 2019**
- (51) **LOC (13) Cl.** **06-06**
- (52) **U.S. Cl.**
USPC **D6/678**
- (58) **Field of Classification Search**
USPC D6/512–513, 672, 673, 678, 678.3,
D6/682–682.1, 682.2; D14/432, 447
CPC A47F 5/0006; A47F 5/0884; A47F 5/0807;
A47F 5/101; A47F 5/105; A47F 7/00;
A47F 7/0042
See application file for complete search history.

- 8,353,425 B2 * 1/2013 Lockwood G07F 11/42
221/227
- 8,496,126 B2 * 7/2013 Mueller A47F 1/126
211/59.3
- 8,561,817 B1 * 10/2013 Allen A47F 1/126
211/59.3

(Continued)

Primary Examiner — Kelley A Donnelly
(74) *Attorney, Agent, or Firm* — Honigman LLP

(57) **CLAIM**

We claim the ornamental design for a product stopper, as shown and described.

DESCRIPTION

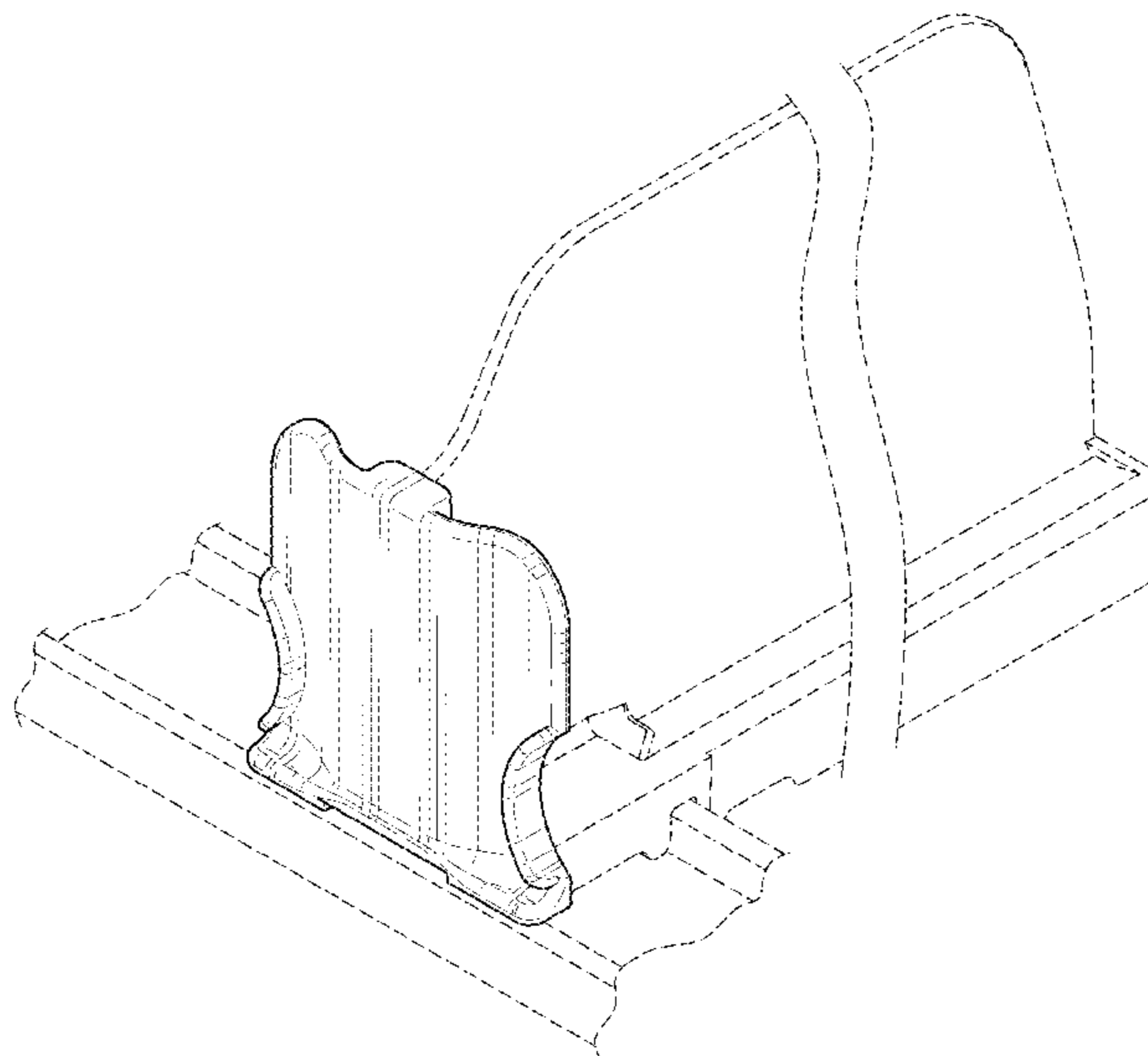
FIG. 1 is a front perspective view of a product stopper in accordance with the principles of the present disclosure, with additional broken lines showing a product distribution system to illustrate an example environment;
 FIG. 2 is a front perspective view of the product stopper of FIG. 1;
 FIG. 3 is a rear perspective view of the product stopper of FIG. 1;
 FIG. 4 is a front view of the product stopper of FIG. 1;
 FIG. 5 is a rear view of the product stopper of FIG. 1;
 FIG. 6 is a top view of the product stopper of FIG. 1;
 FIG. 7 is a bottom view of the product stopper of FIG. 1; and,
 FIG. 8 is a left side view of the product stopper of FIG. 1, the opposing right side view being identical thereto.
 Broken lines show elements that form no part of the claimed design. In this regard, broken lines showing the product distribution system in FIG. 1 illustrate an example environment that forms no part of the claimed design. While certain features of the product stopper, including the bounds thereof, are shown in solid lines, it should be appreciated that one or more of these certain features may be shown in broken lines forming no part of the claimed design. The shade lines in the drawing views show contour and not surface ornamentation of the product stopper.

1 Claim, 5 Drawing Sheets

(56) **References Cited**

U.S. PATENT DOCUMENTS

- 4,901,869 A * 2/1990 Hawkinson A47F 1/126
211/184
- 5,855,281 A * 1/1999 Rabas A47F 1/126
211/175
- D445,615 S * 7/2001 Burke D6/706
- D485,699 S * 1/2004 Mueller D6/706
- 6,769,552 B1 * 8/2004 Thalendorf A47F 1/126
211/183
- D540,859 S * 4/2007 Weiler D19/34.1
- D565,322 S * 4/2008 Mason D6/675
- D566,760 S * 4/2008 Cristofaro D19/32



(56)

References Cited

U.S. PATENT DOCUMENTS

| | | | | | |
|--------------|------|---------|---------------|-------|------------------------|
| D771,419 | S * | 11/2016 | Fishman | | D6/678 |
| 9,770,121 | B2 | 9/2017 | Walker et al. | | |
| D801,734 | S * | 11/2017 | Turner | | D6/681.1 |
| 9,955,802 | B2 * | 5/2018 | Bird | | A47B 57/58 |
| D819,732 | S * | 6/2018 | Nilsson | | D19/34.1 |
| D843,760 | S * | 3/2019 | Turner | | D6/705 |
| D874,197 | S * | 2/2020 | Turner | | D6/705 |
| 2002/0170866 | A1 * | 11/2002 | Johnson | | A47F 1/126 211/59.3 |
| 2006/0049125 | A1 * | 3/2006 | Stowell | | A47B 57/583 211/184 |
| 2006/0186064 | A1 * | 8/2006 | Merit | | A47F 5/005 211/59.3 |
| 2007/0170127 | A1 * | 7/2007 | Johnson | | A47F 1/126 211/59.3 |
| 2008/0156752 | A1 * | 7/2008 | Bryson | | A47F 1/126 211/59.3 |
| 2013/0062295 | A1 * | 3/2013 | Bird | | A47F 1/126 211/59.3 |
| 2015/0359358 | A1 * | 12/2015 | Miller, Jr. | | A47F 5/005 211/59.2 |
| 2017/0035218 | A1 * | 2/2017 | Riley | | A47F 1/126 |

* cited by examiner

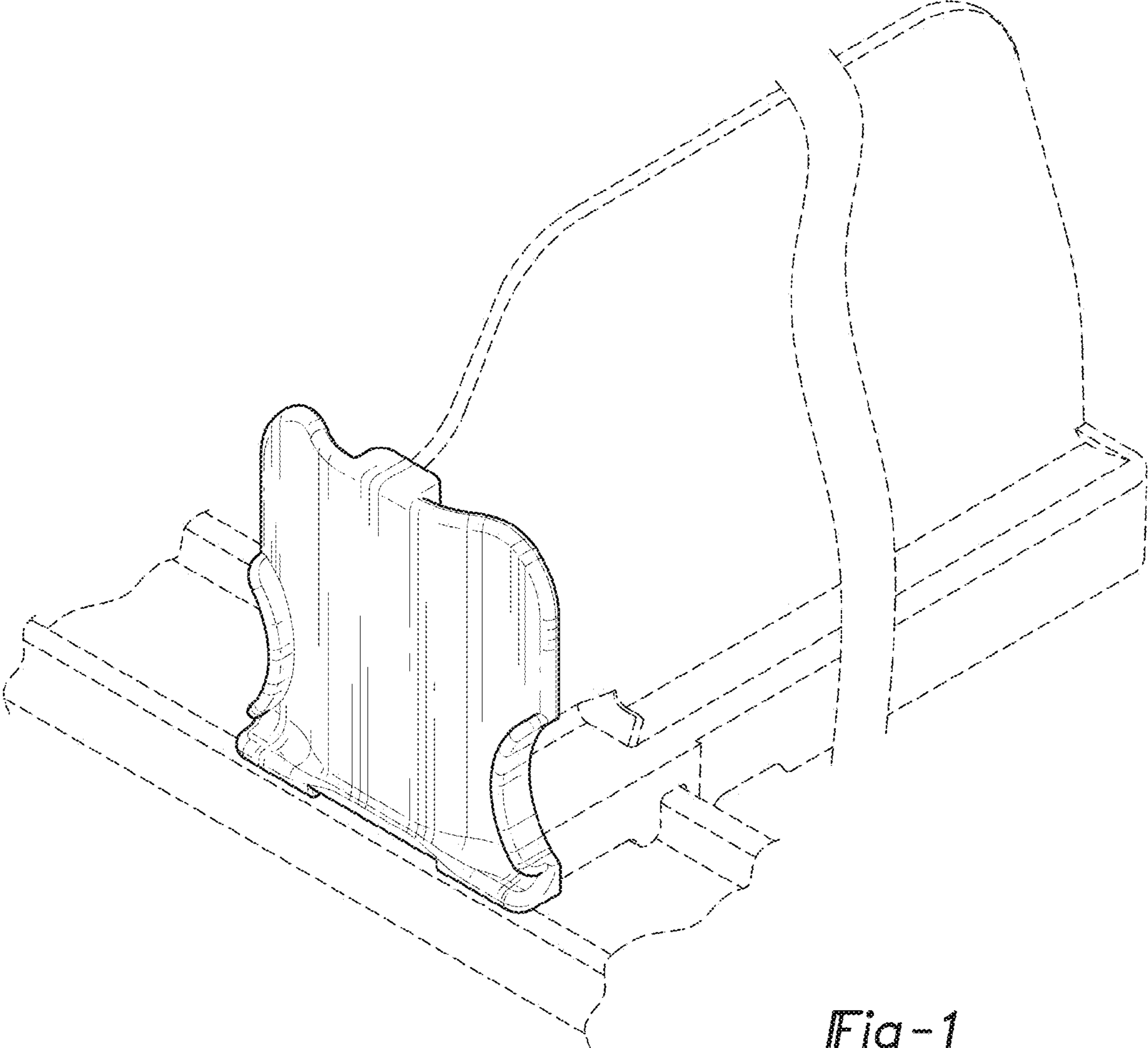


Fig-1

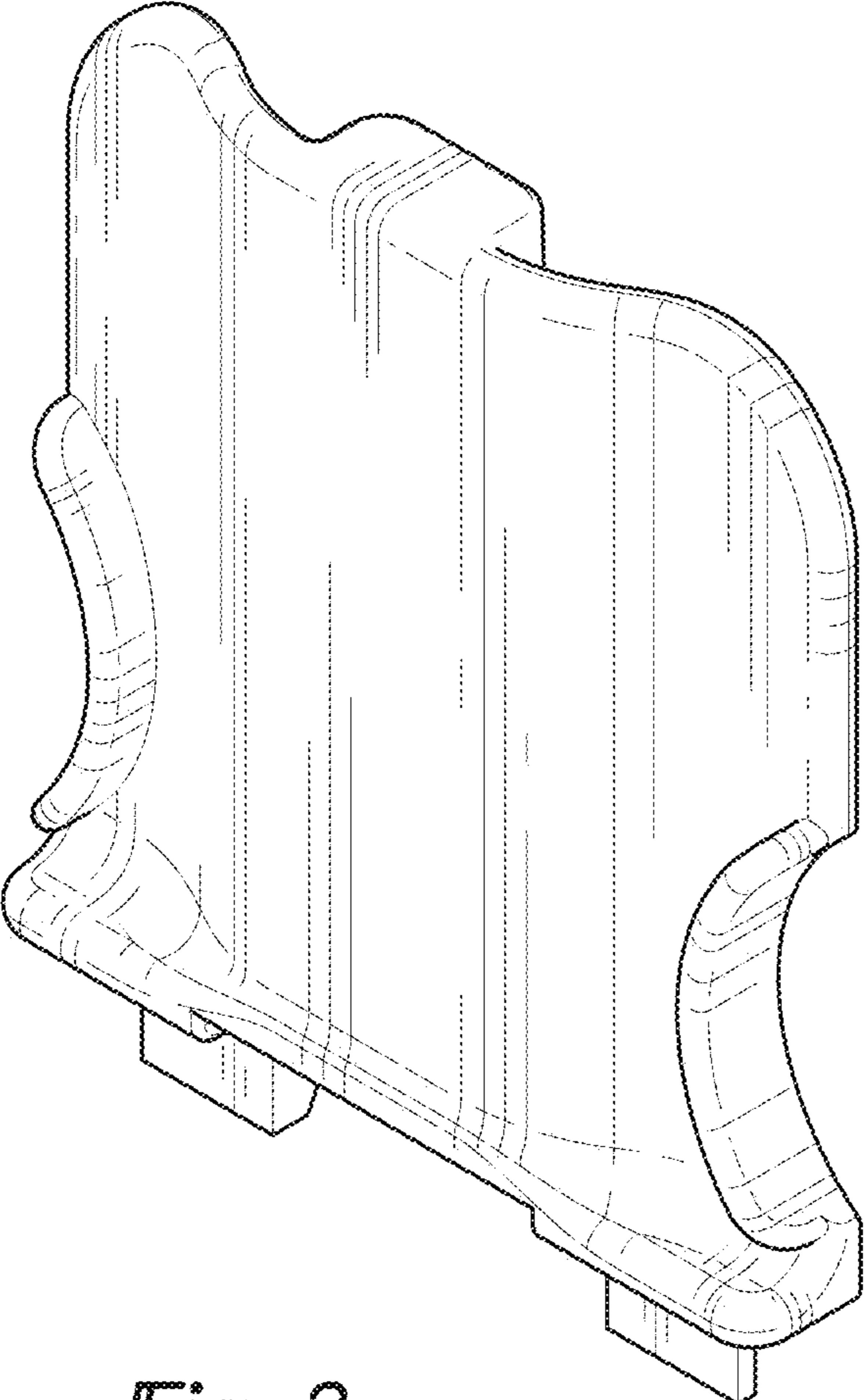


Fig-2

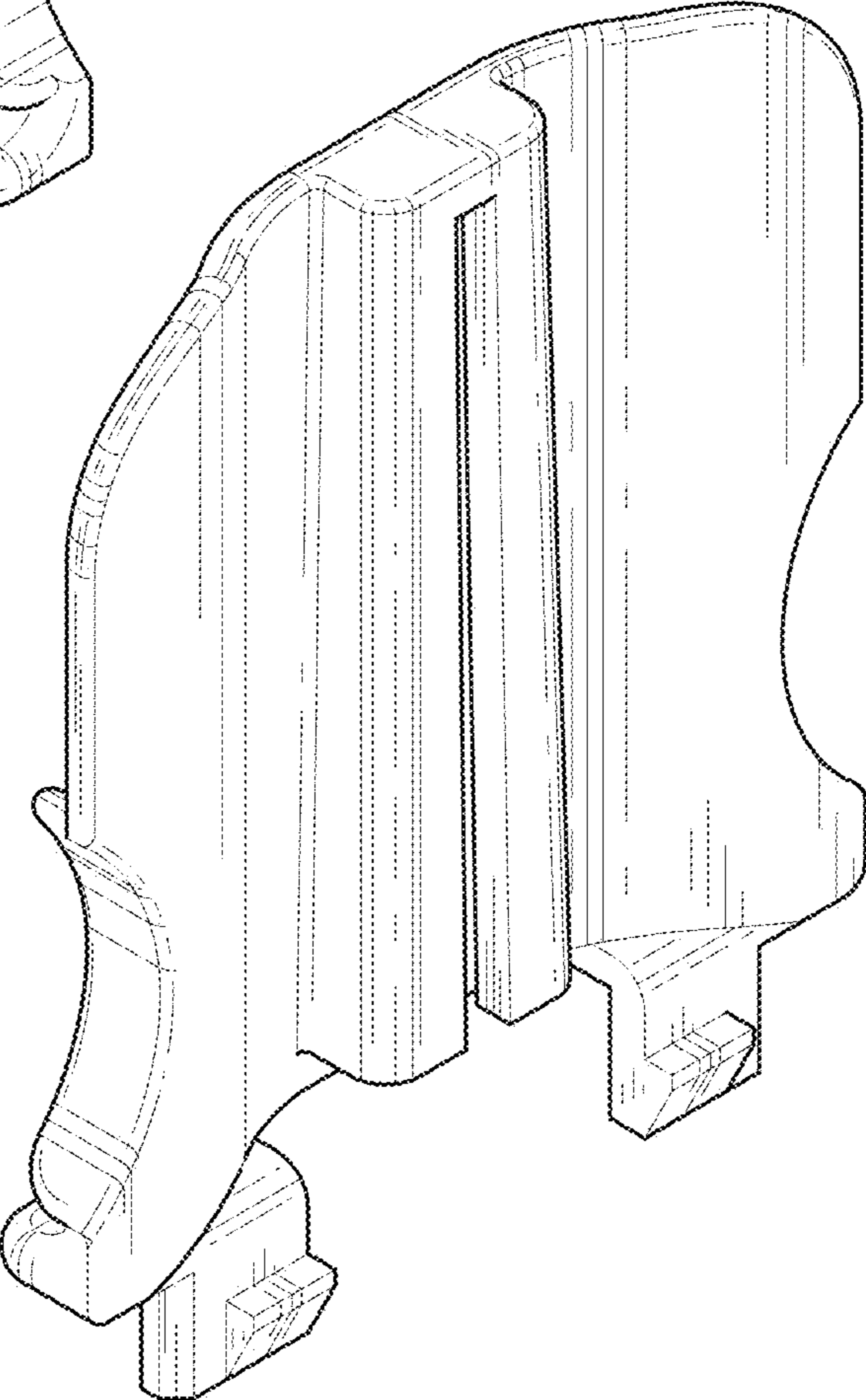


Fig-3

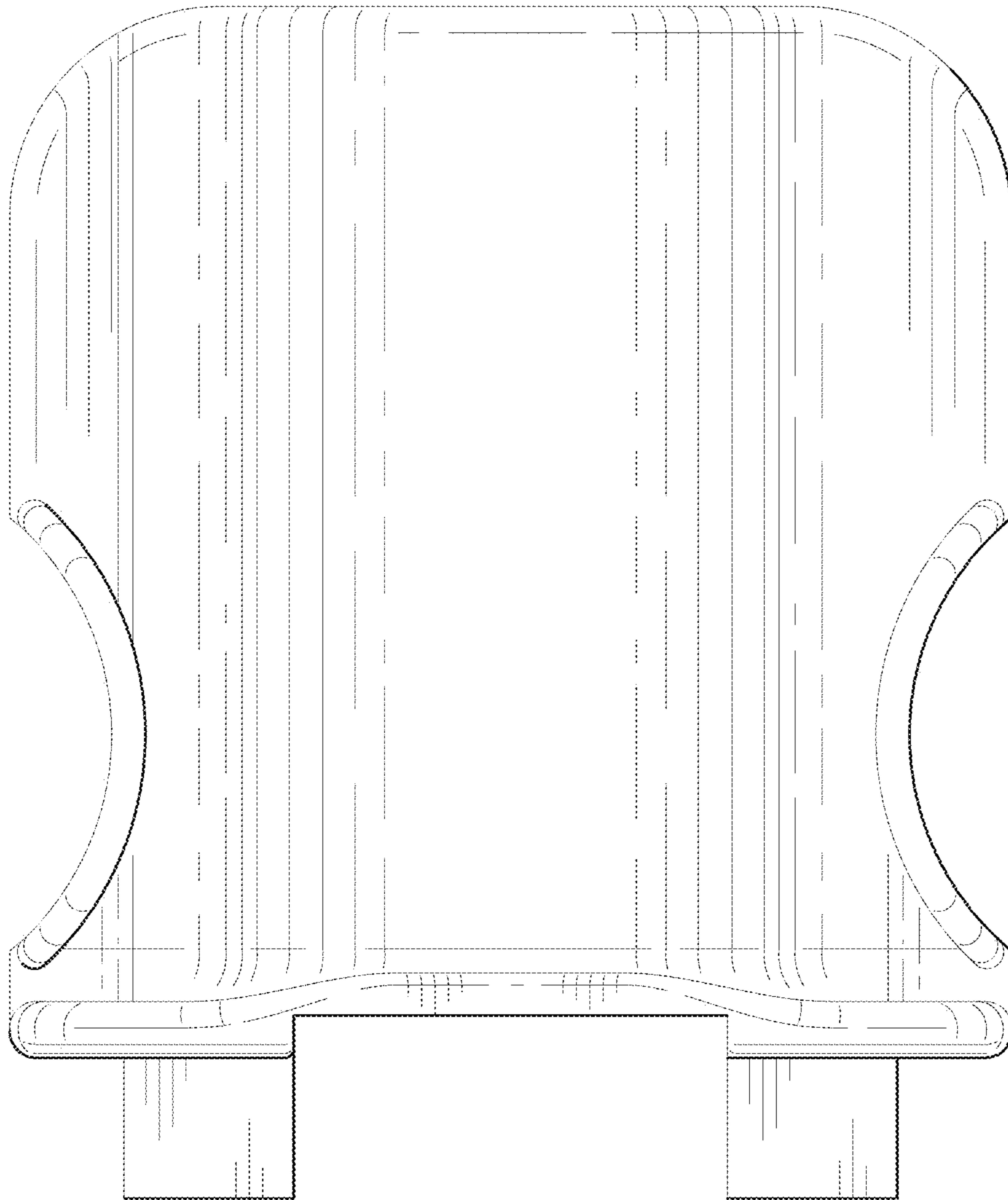


Fig-4

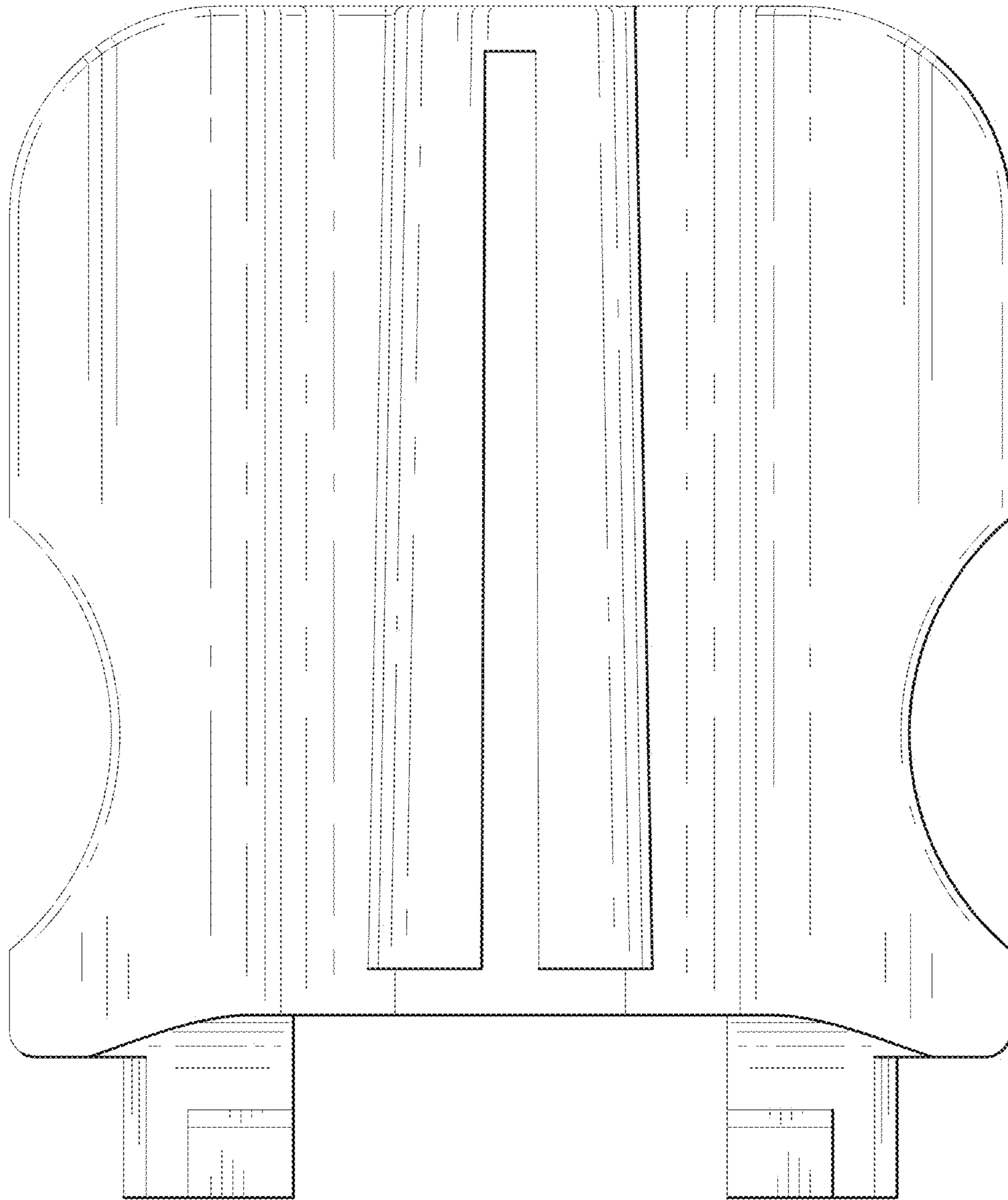


Fig-5

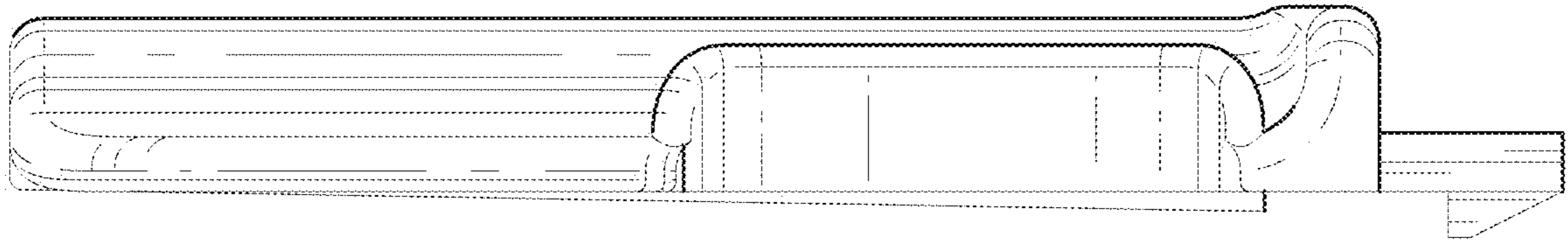


Fig-8

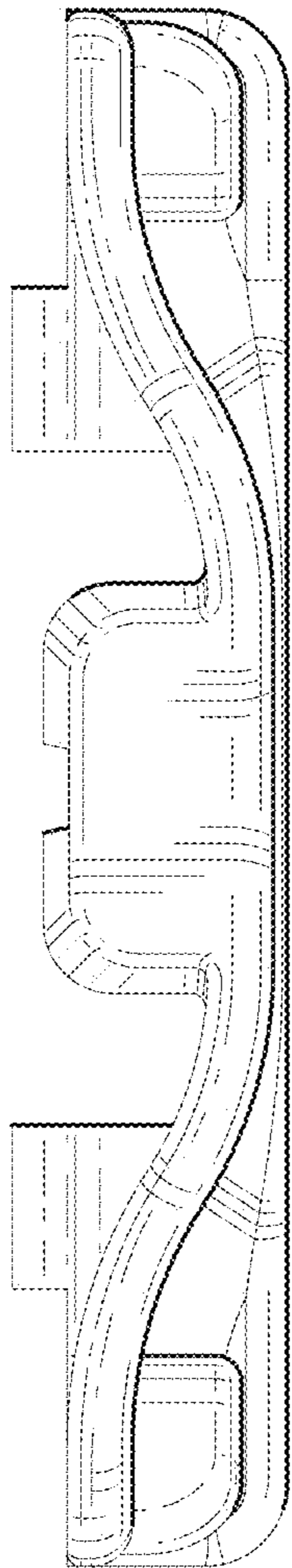


Fig-6

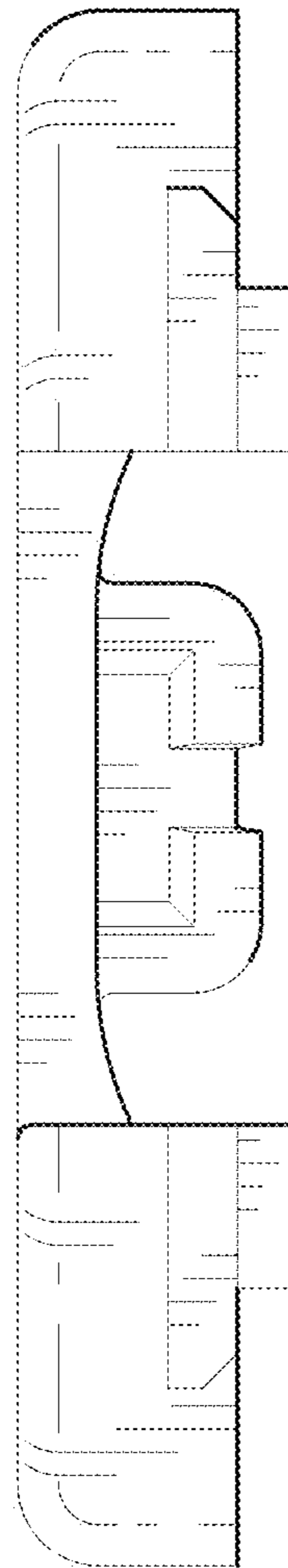


Fig-7