



US00D919337S

(12) **United States Design Patent**  
**Xiang**

(10) **Patent No.:** **US D919,337 S**

(45) **Date of Patent:** **\*\* May 18, 2021**

(54) **TABLE**

(71) Applicant: **Loctek Inc.**, Fremont, CA (US)

(72) Inventor: **Lehong Xiang**, Ningbo Zhejiang (CN)

(\*\*) Term: **15 Years**

(21) Appl. No.: **29/684,850**

(22) Filed: **Mar. 25, 2019**

(30) **Foreign Application Priority Data**

Sep. 26, 2018 (CN) ..... 201830539562.2

(51) **LOC (13) Cl.** ..... **06-03**

(52) **U.S. Cl.**

USPC ..... **D6/642**

(58) **Field of Classification Search**

USPC ..... D6/406.3, 406.5, 406.6, 641, 642, 655,  
D6/655.17, 685, 686, 691, 691.1-691.9,  
D6/702, 704, 707, 707.15, 707.19, 707.2

CPC ..... A47B 7/00; A47B 13/00; A47B 13/02;  
A47B 13/04; A47B 13/06; A47B 13/08;  
A47B 13/083; A47B 21/00; A47B 23/00;  
A47B 2200/0001; A47B 2200/0011;  
A47B 2200/002; A47B 2200/0061; A47B  
2200/0062; F16M 11/22; F16M 11/24

See application file for complete search history.

(56) **References Cited**

**U.S. PATENT DOCUMENTS**

D334,304 S \* 3/1993 Gilman ..... A47C 7/70  
D18/59

D789,703 S \* 6/2017 Qiao ..... A47C 7/70  
D6/406.3

D819,369 S \* 6/2018 Kang ..... D6/642  
D831,373 S \* 10/2018 Wilson ..... D6/406.3  
D885,095 S \* 5/2020 Dash ..... D6/691  
2018/0168335 A1 \* 6/2018 Seal ..... A47B 9/20  
2020/0078481 A1 \* 3/2020 Xiang ..... G06F 3/0202

**OTHER PUBLICATIONS**

Loctek Office Monitor Sterilization Table—Xiaomipedia.com launching Feb. 2020 <https://xiaomipedia.com/en/p/loctek-office-monitor-sterilization-table/#especificaciones> retrieved from the internet on Nov. 3, 2020.\*

\* cited by examiner

*Primary Examiner* — Mary Ann Calabrese

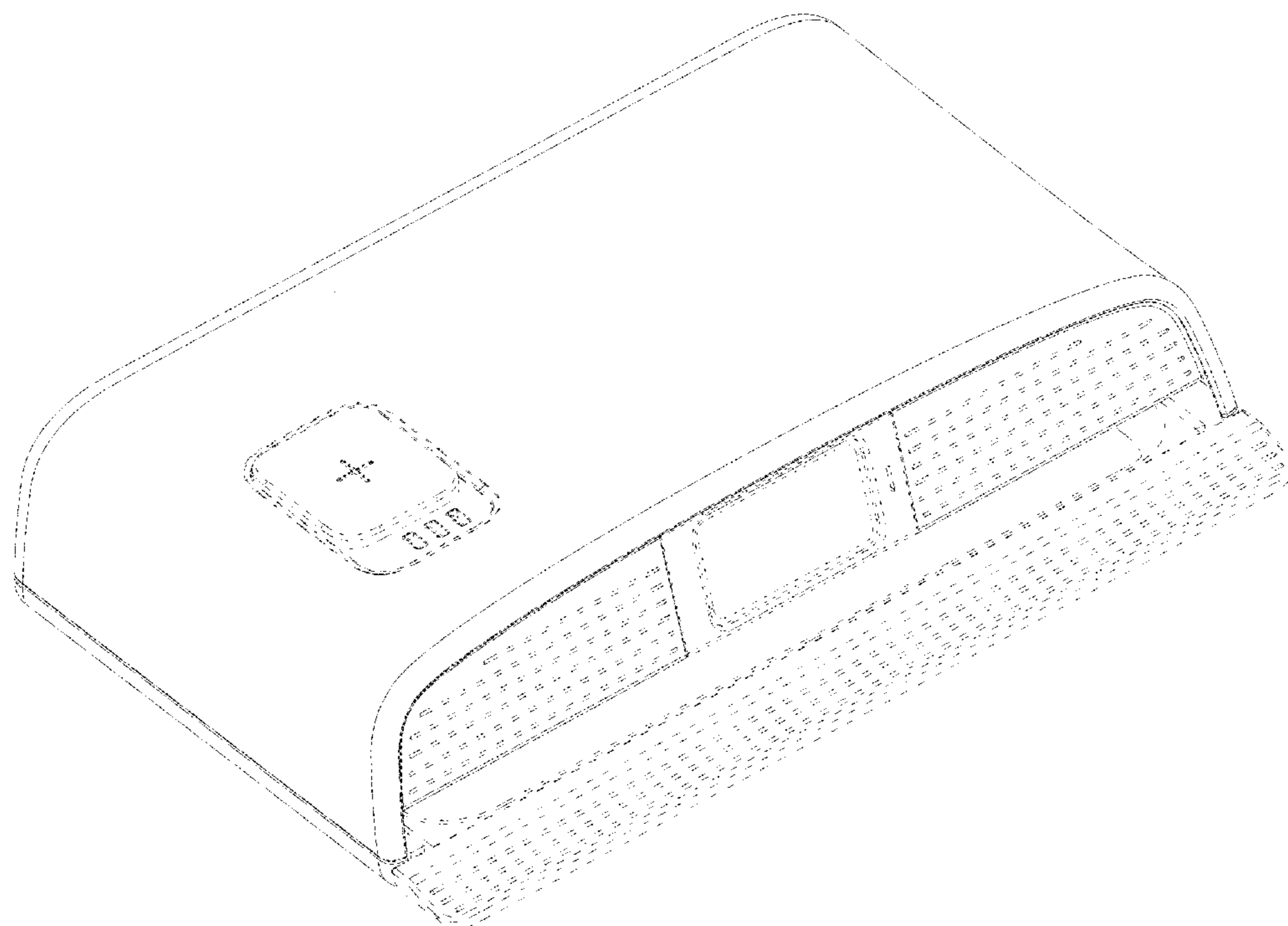
(57) **CLAIM**

The ornamental design for a table, as shown and described.

**DESCRIPTION**

FIG. 1 is a Front elevational view of a table showing my new design;  
FIG. 2 is a Rear elevational view thereof;  
FIG. 3 is a Left side view thereof;  
FIG. 4 is a Right side view thereof;  
FIG. 5 is a Top plan view thereof;  
FIG. 6 is a Bottom plan view thereof; and,  
FIG. 7 is a Perspective view thereof.  
The broken lines in the drawing depict portions of the table that form no part of the claimed design.

**1 Claim, 7 Drawing Sheets**



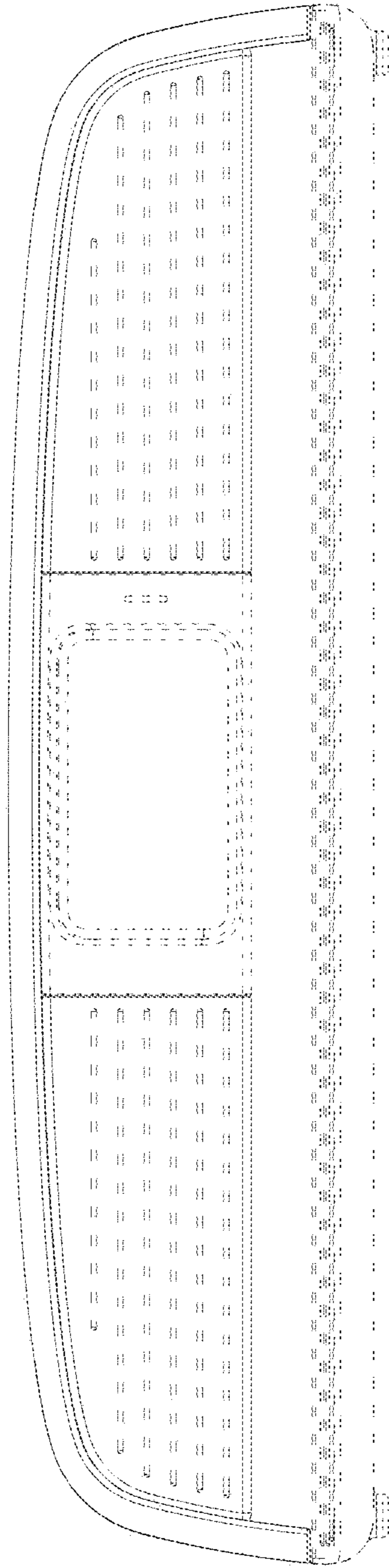


Fig. 1

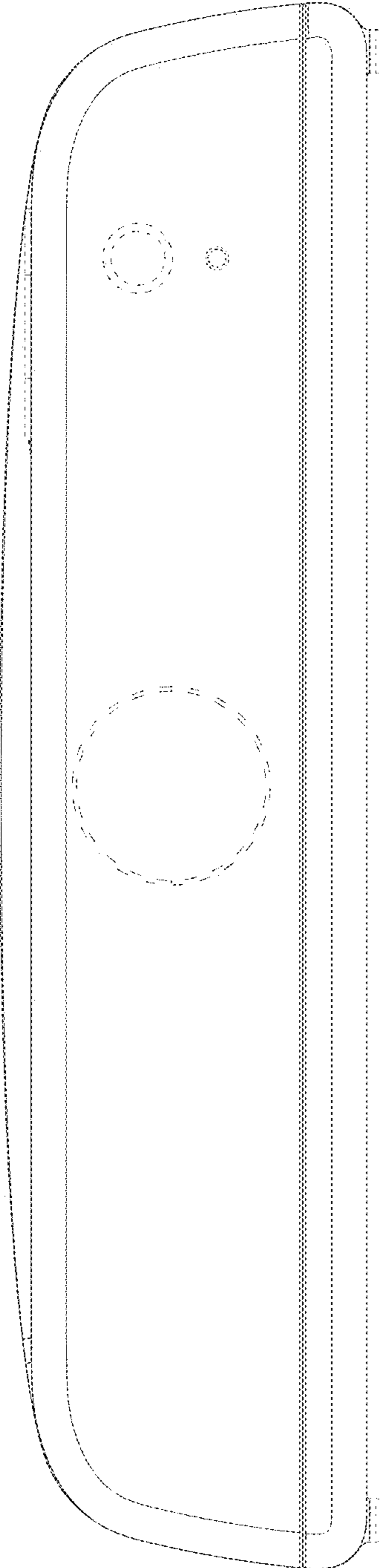


Fig. 2

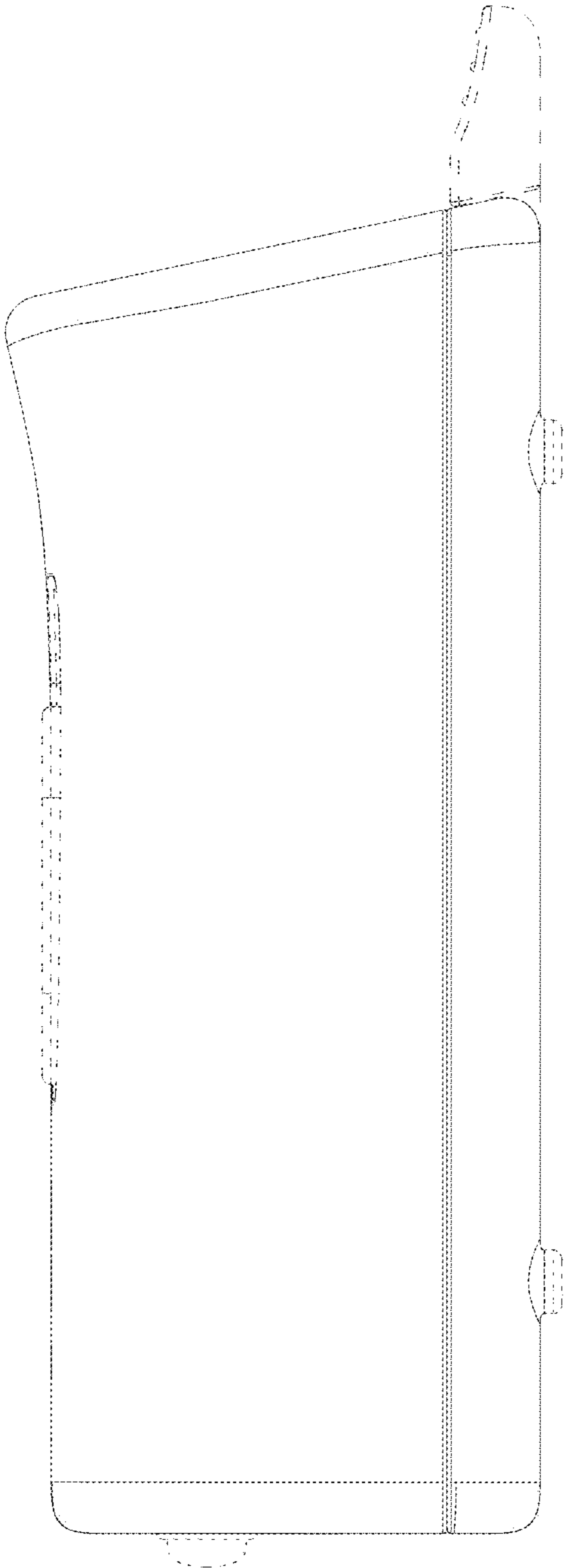


Fig. 3

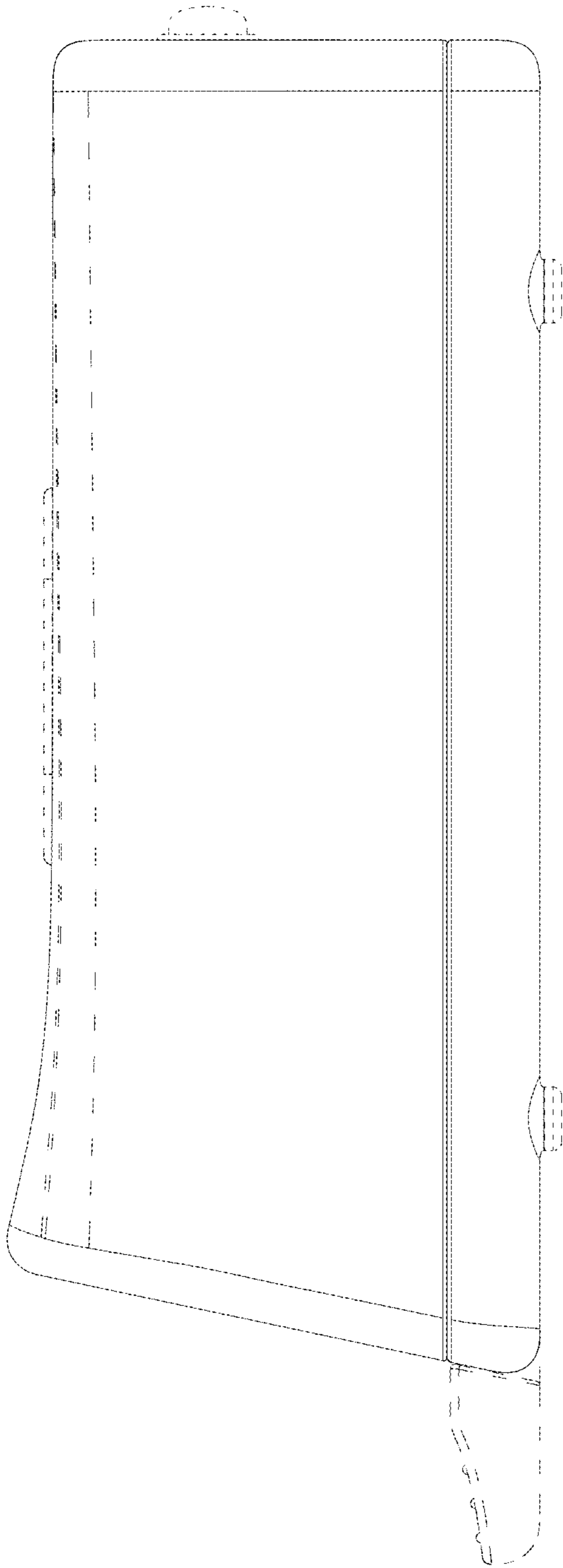


Fig. 4

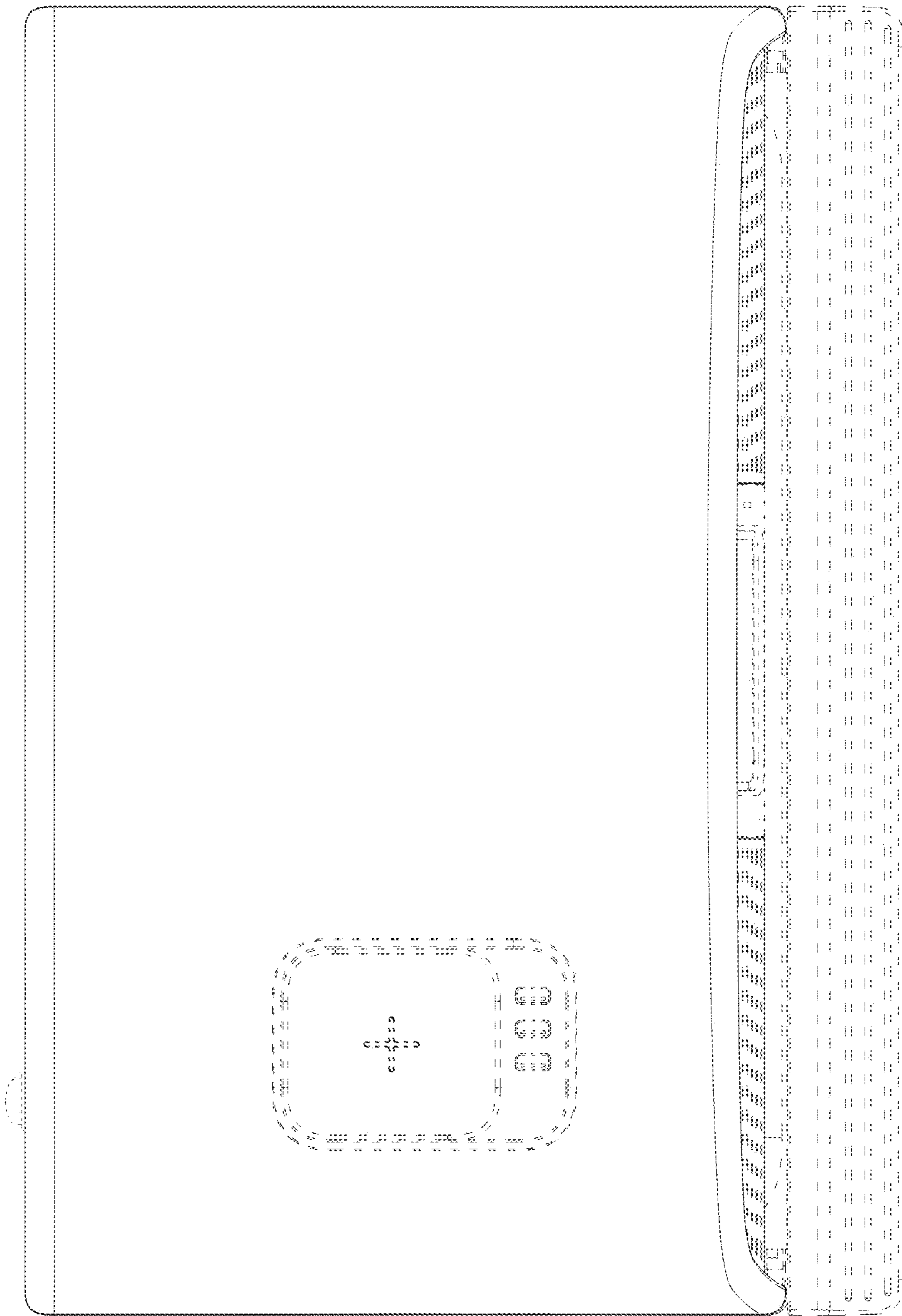


Fig. 5

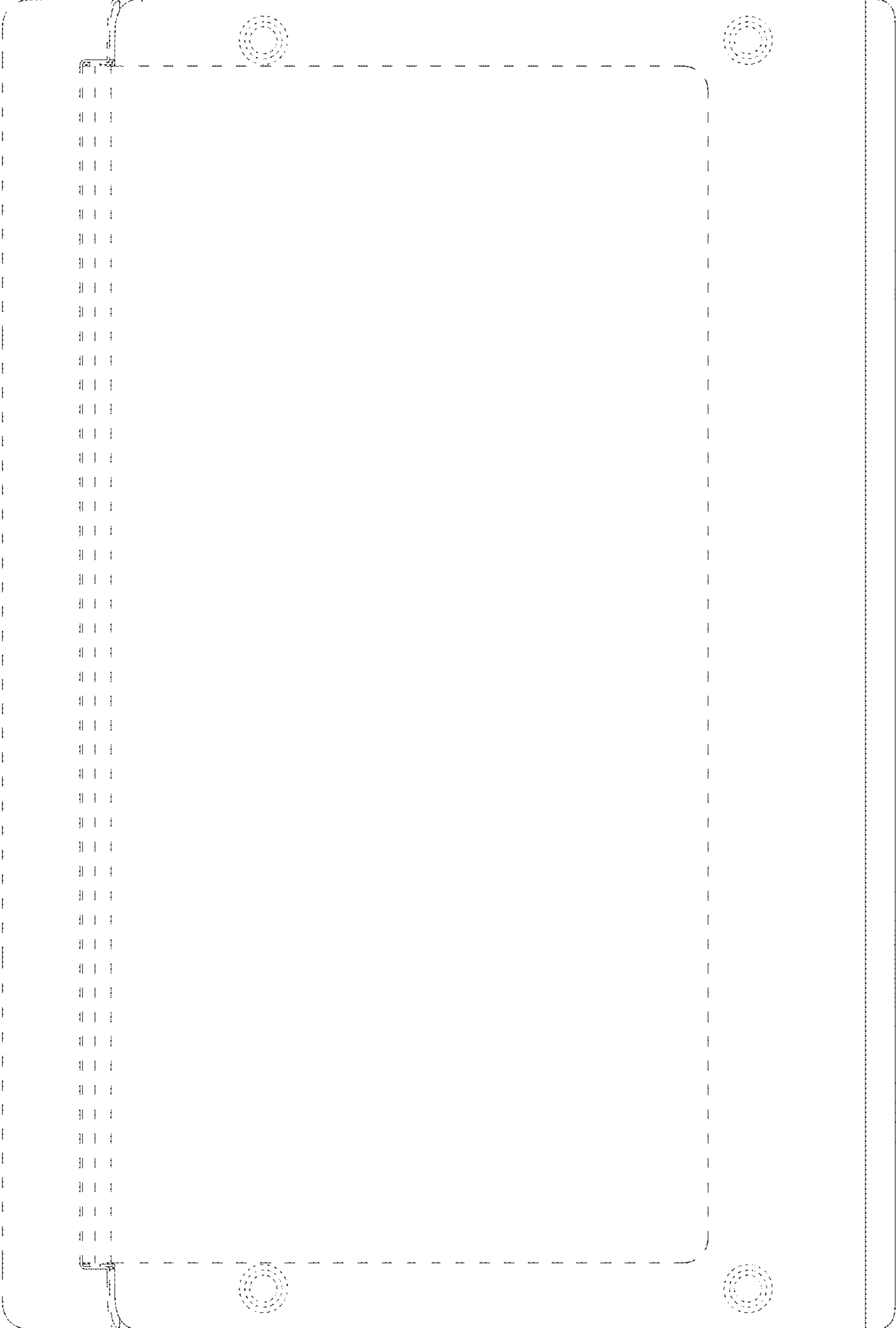


Fig. 6

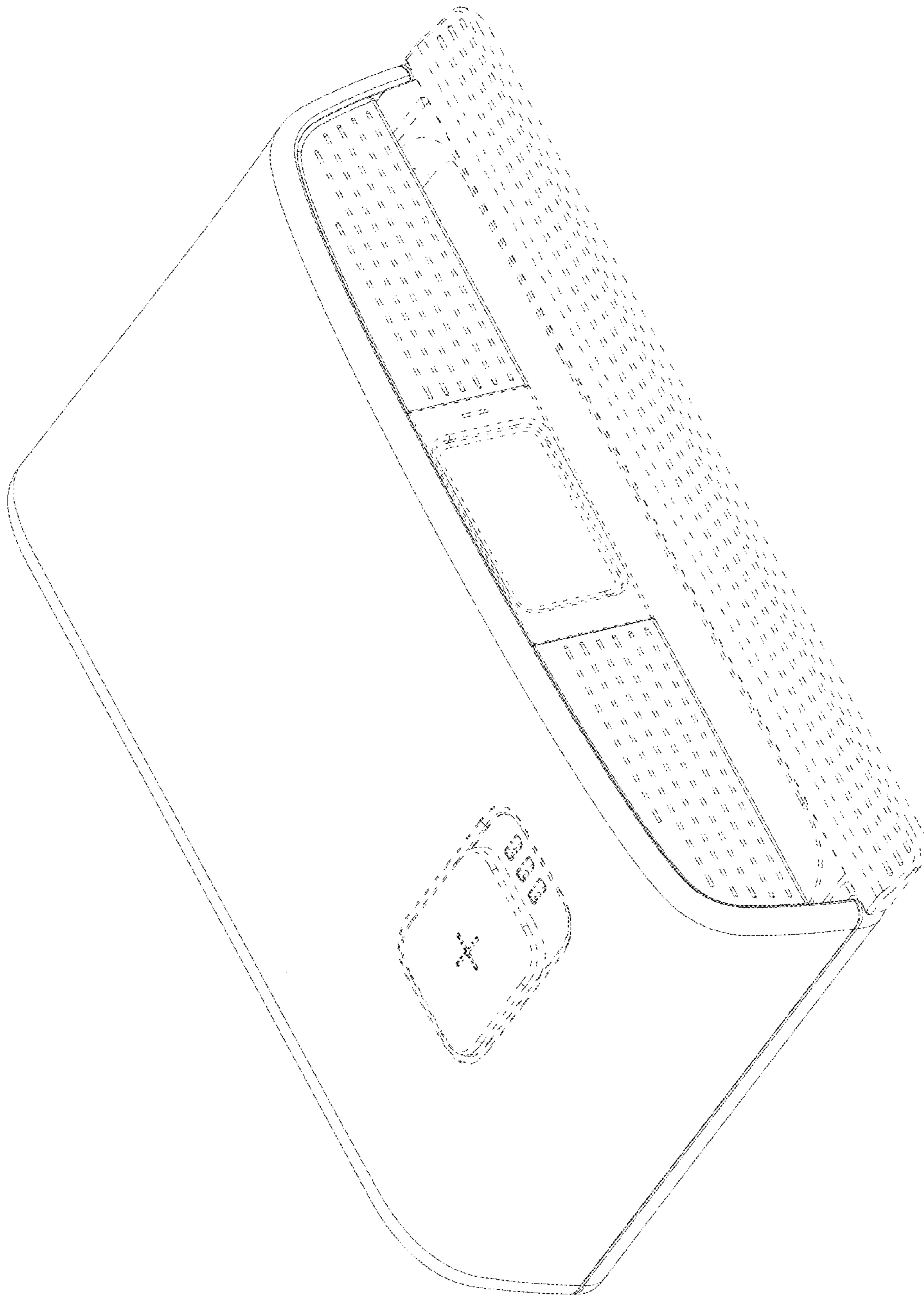


Fig. 7