



US00D919336S

(12) **United States Design Patent**  
**Iulita**

(10) **Patent No.:** **US D919,336 S**

(45) **Date of Patent:** **\*\* May 18, 2021**

(54) **SEAT COVER**

(71) Applicant: **StylGame S.r.l.**, Spilimbergo (IT)

(72) Inventor: **Luigi Iulita**, Spilimbergo (IT)

(\*\*) Term: **15 Years**

(21) Appl. No.: **29/687,396**

(22) Filed: **Apr. 12, 2019**

(30) **Foreign Application Priority Data**

Oct. 31, 2018 (EM) ..... 005813540-0002

(51) **LOC (13) Cl.** ..... **06-13**

(52) **U.S. Cl.**  
USPC ..... **D6/611**

(58) **Field of Classification Search**  
USPC ..... D6/595, 596, 601, 608, 610, 611, 616,  
D6/688.26, 688.27, 691.4, 692.3, 695.2,  
D6/696.1, 708, 708.25; D3/304, 305,  
D3/315; D11/155

CPC .... A61G 5/1043; A61G 5/1045; A47C 7/021;  
A47C 7/0213; A47C 7/025; A47C 7/027;  
A47C 7/14; A47C 7/28; A47C 7/32;  
A47C 7/34; A47C 7/35; A47C 1/08;  
B60N 2/2866

See application file for complete search history.

(56) **References Cited**

**U.S. PATENT DOCUMENTS**

D210,442 S \* 3/1968 Foster ..... D20/19  
D223,499 S \* 4/1972 Merritt ..... D6/691.4

D312,932 S \* 12/1990 Congin ..... D6/708.21  
D319,849 S \* 9/1991 Stoddard ..... D20/19  
D333,221 S \* 2/1993 Wurst ..... D6/691.4  
D545,133 S \* 6/2007 Wasserman ..... D7/565  
D739,475 S \* 9/2015 Reed ..... D21/472  
D837,521 S \* 1/2019 Connors ..... D3/304  
D848,192 S \* 5/2019 Koerth ..... D6/708  
D856,429 S \* 8/2019 Hwang ..... D20/10  
2017/0035216 A1 \* 2/2017 MacKenzie ..... A47C 7/021

\* cited by examiner

*Primary Examiner* — Cynthia Ramirez

*Assistant Examiner* — Xavier Marti-Santos

(74) *Attorney, Agent, or Firm* — Themis Law

(57) **CLAIM**

the ornamental design for a seat cover, as shown.

**DESCRIPTION**

FIG. 1 is a front perspective view of a seat cover showing my new design;

FIG. 2 is a front elevational view thereof;

FIG. 3 is a rear elevational view thereof;

FIG. 4 is a right elevational view thereof;

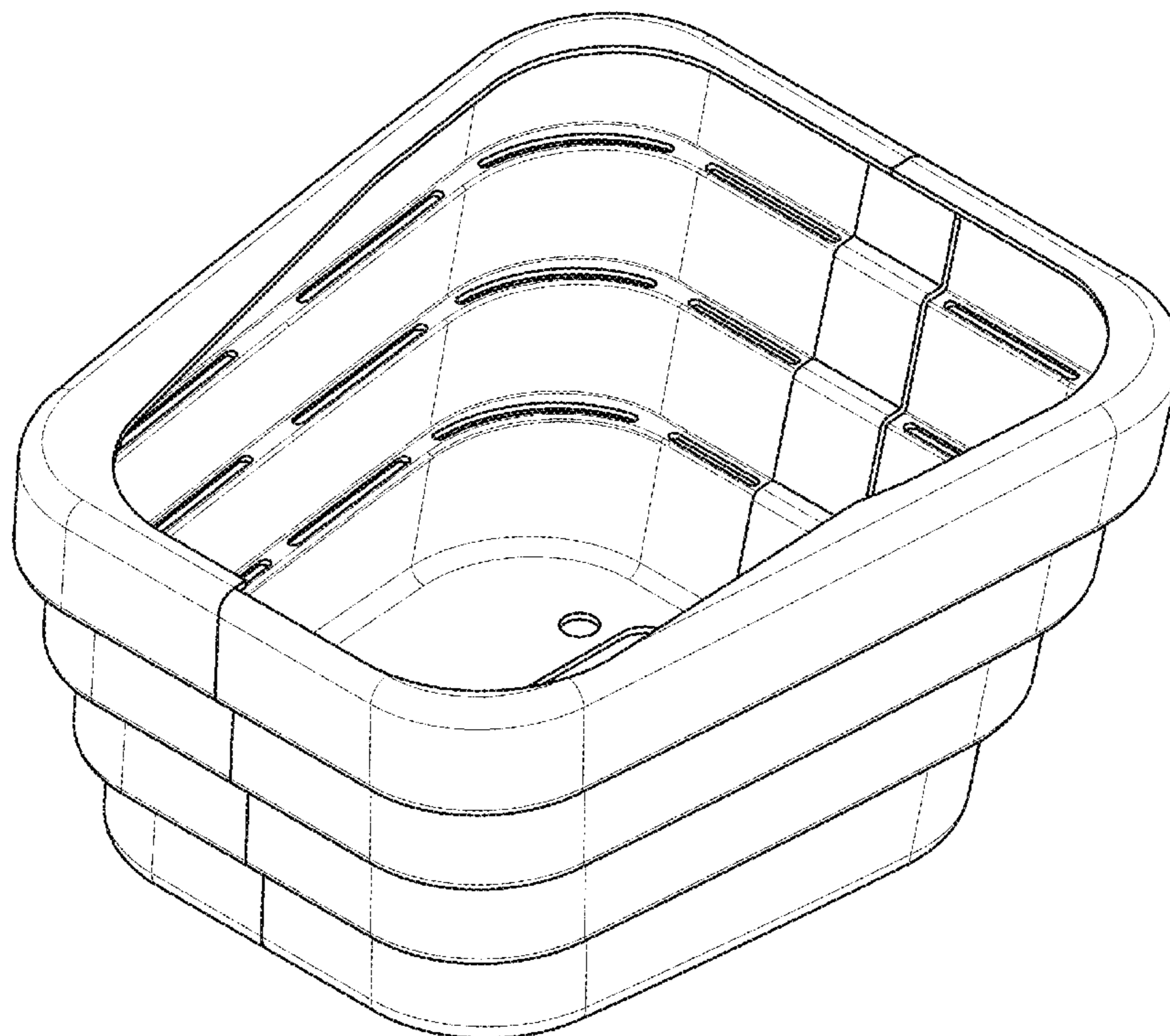
FIG. 5 is the left elevational view thereof;

FIG. 6 is a top plan view thereof;

FIG. 7 is a bottom plan view thereof; and,

FIG. 8 is a bottom perspective view thereof.

**1 Claim, 8 Drawing Sheets**



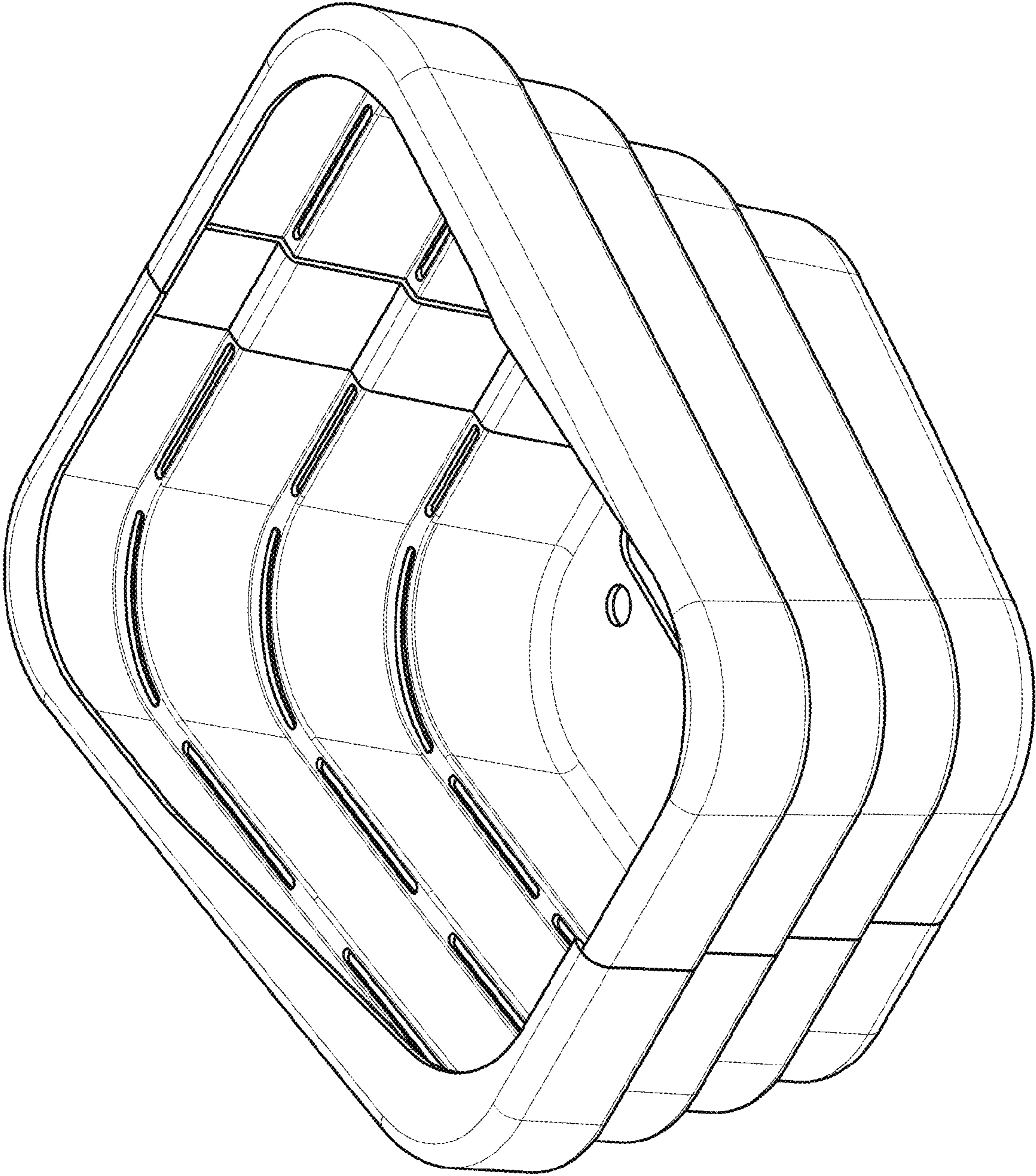


FIG. 1

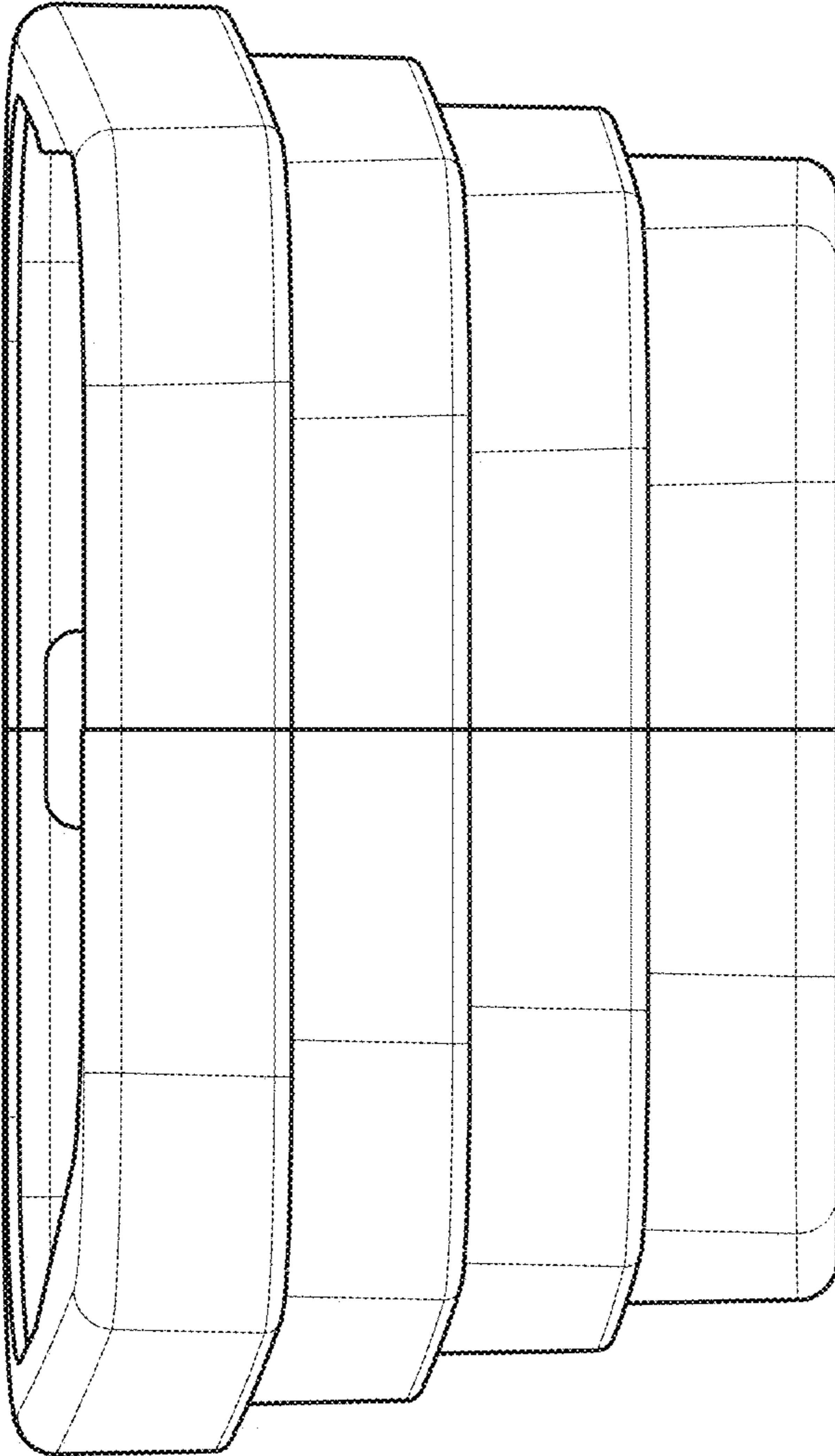


FIG. 2

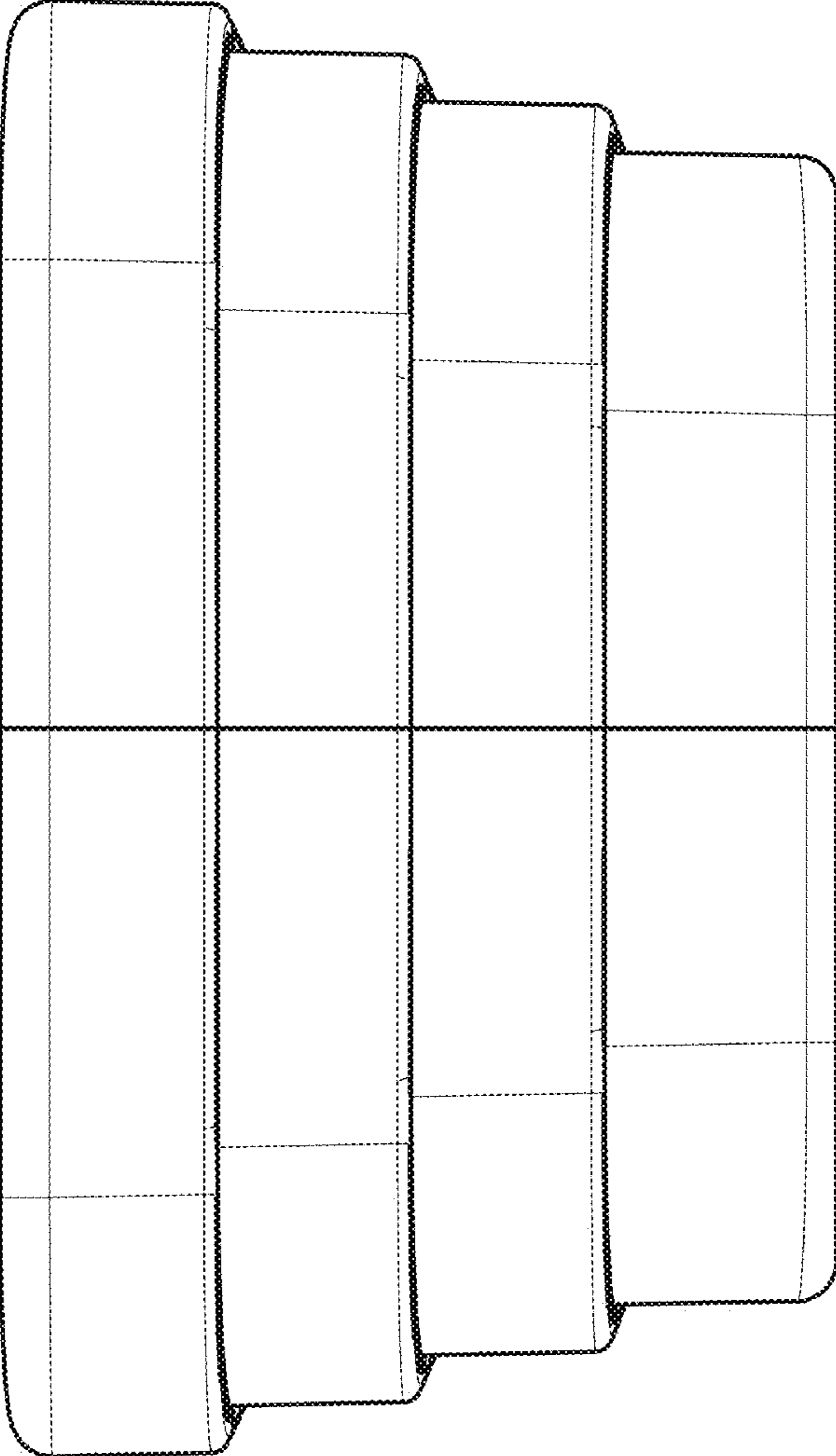


FIG. 3

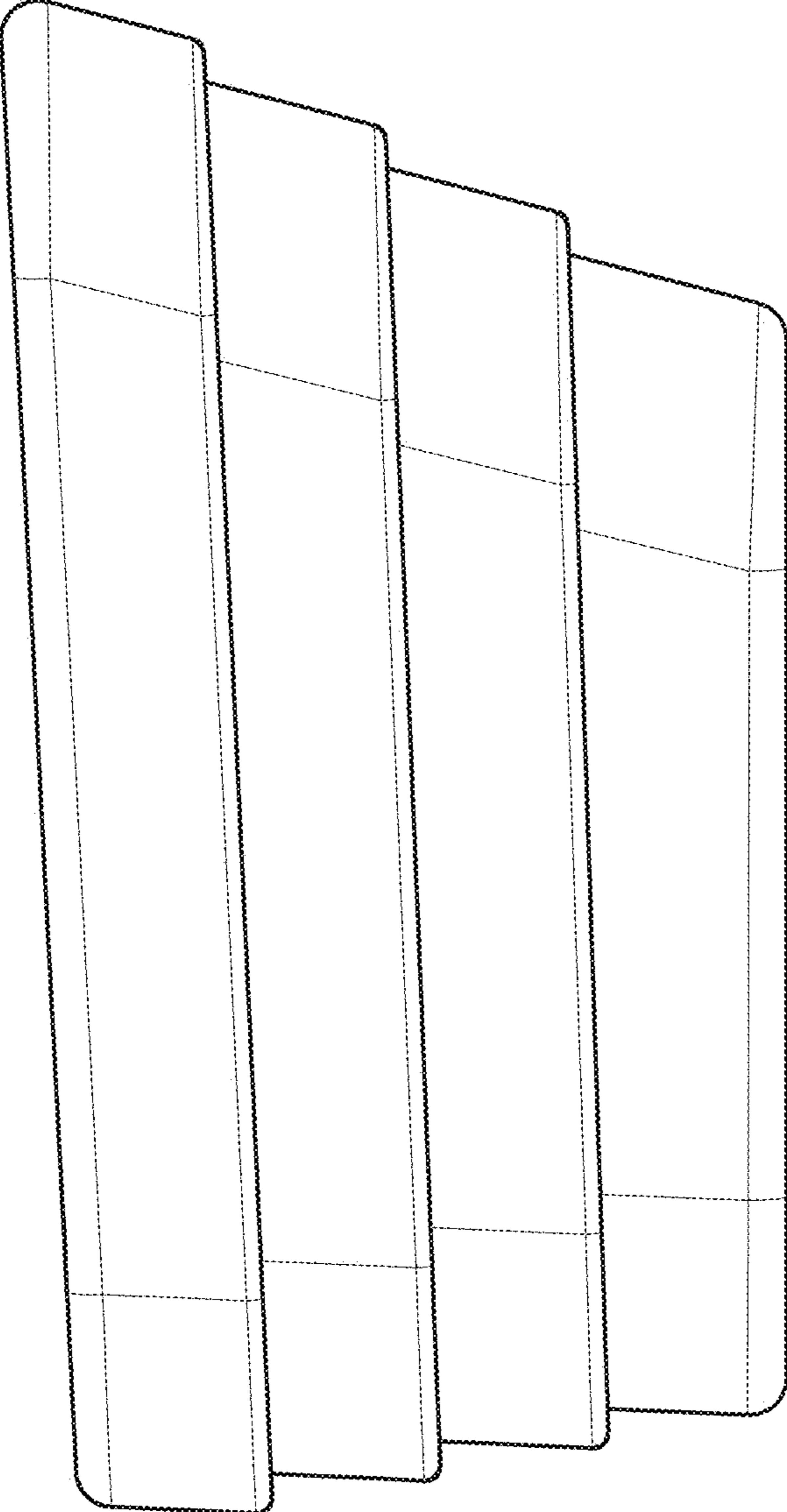


FIG. 4

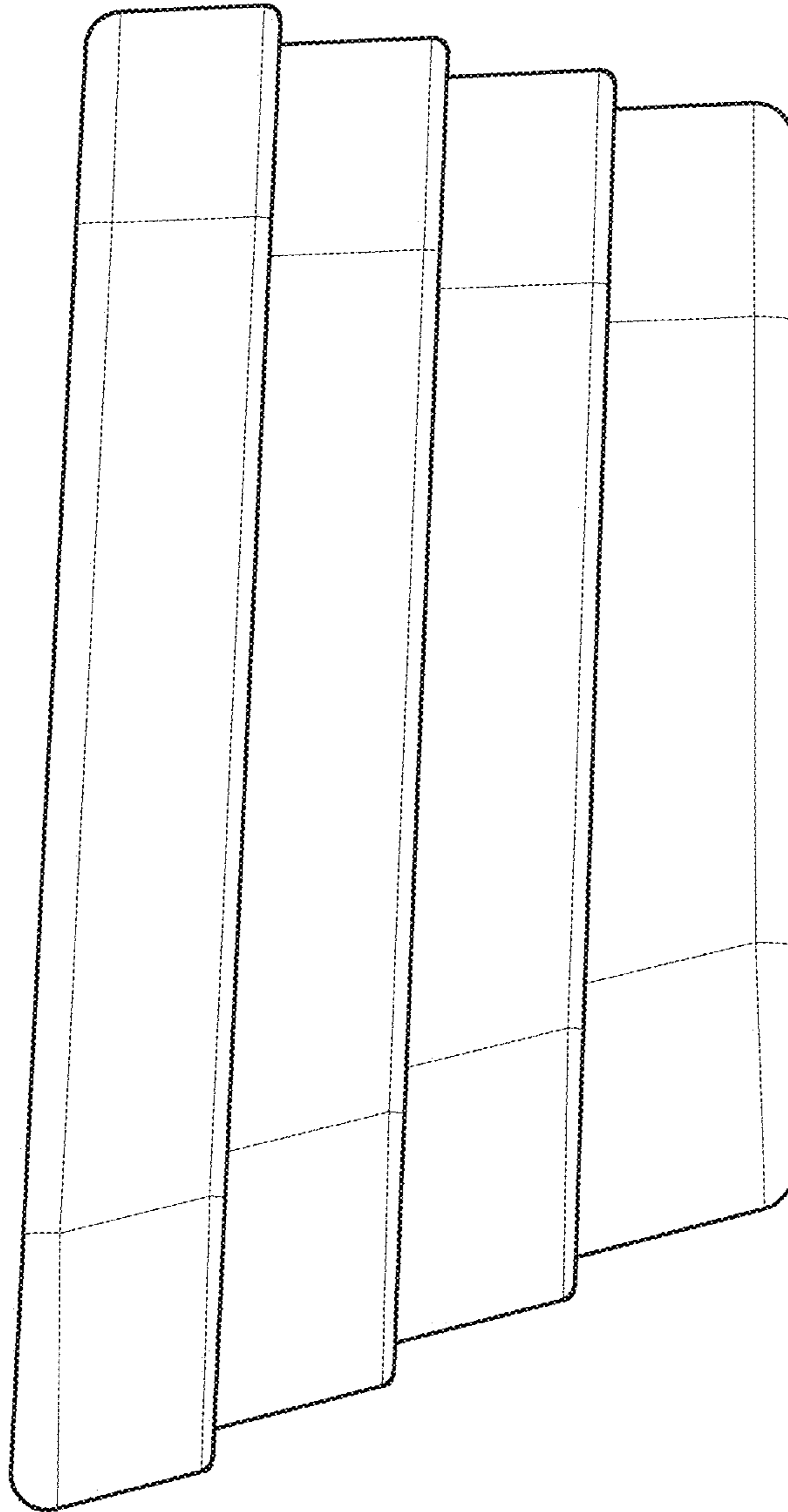


FIG. 5

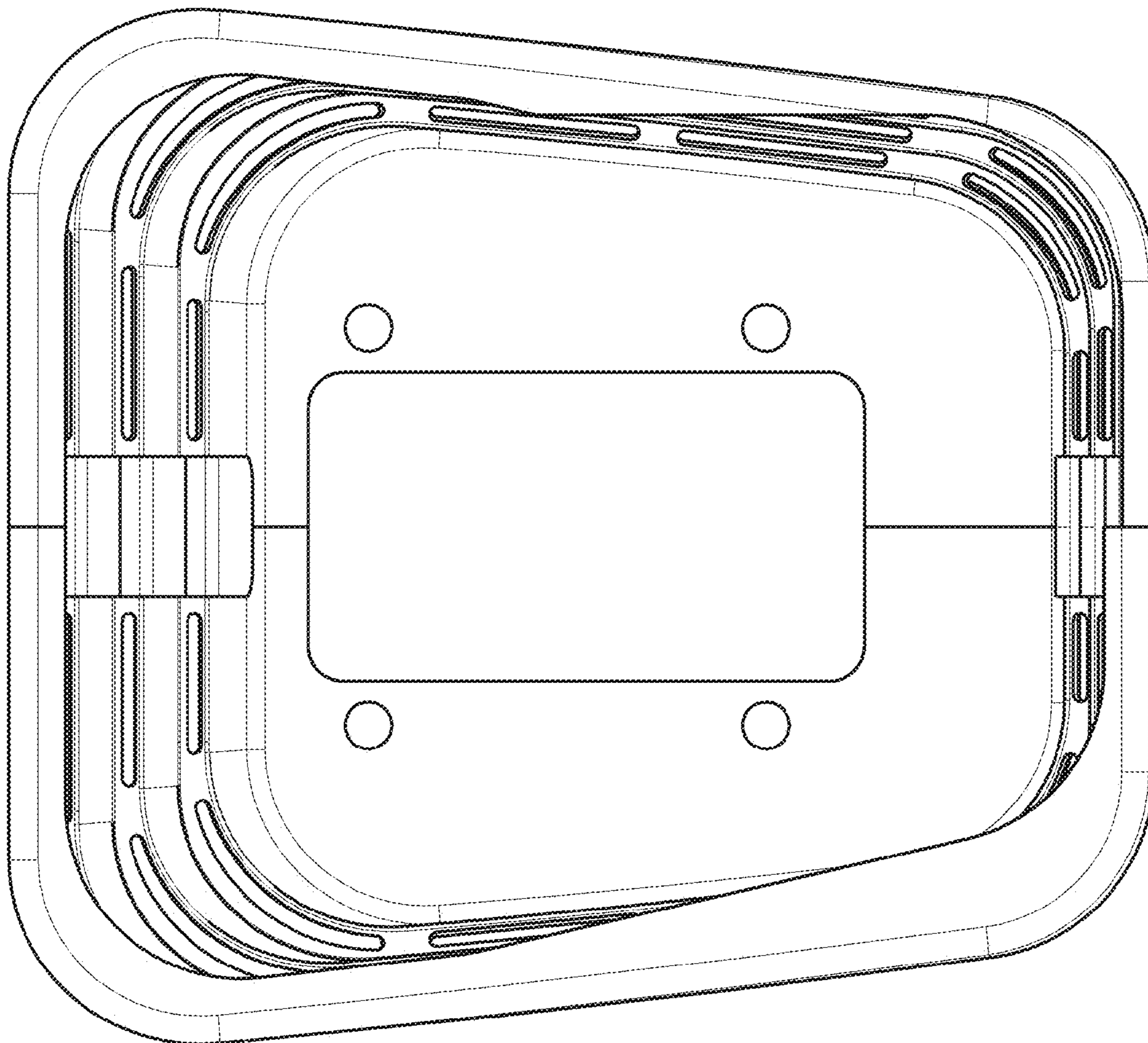


FIG. 6

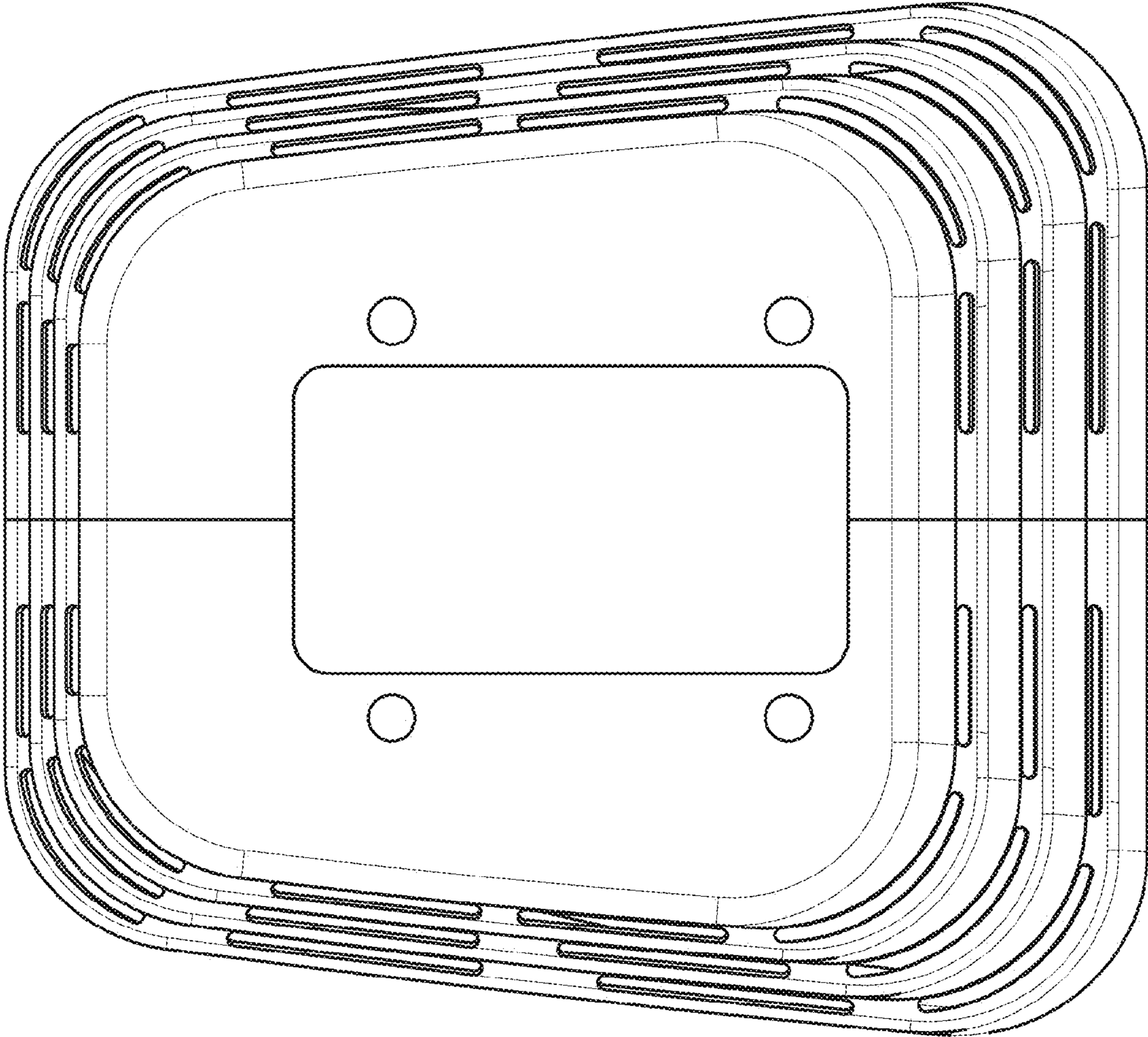


FIG. 7



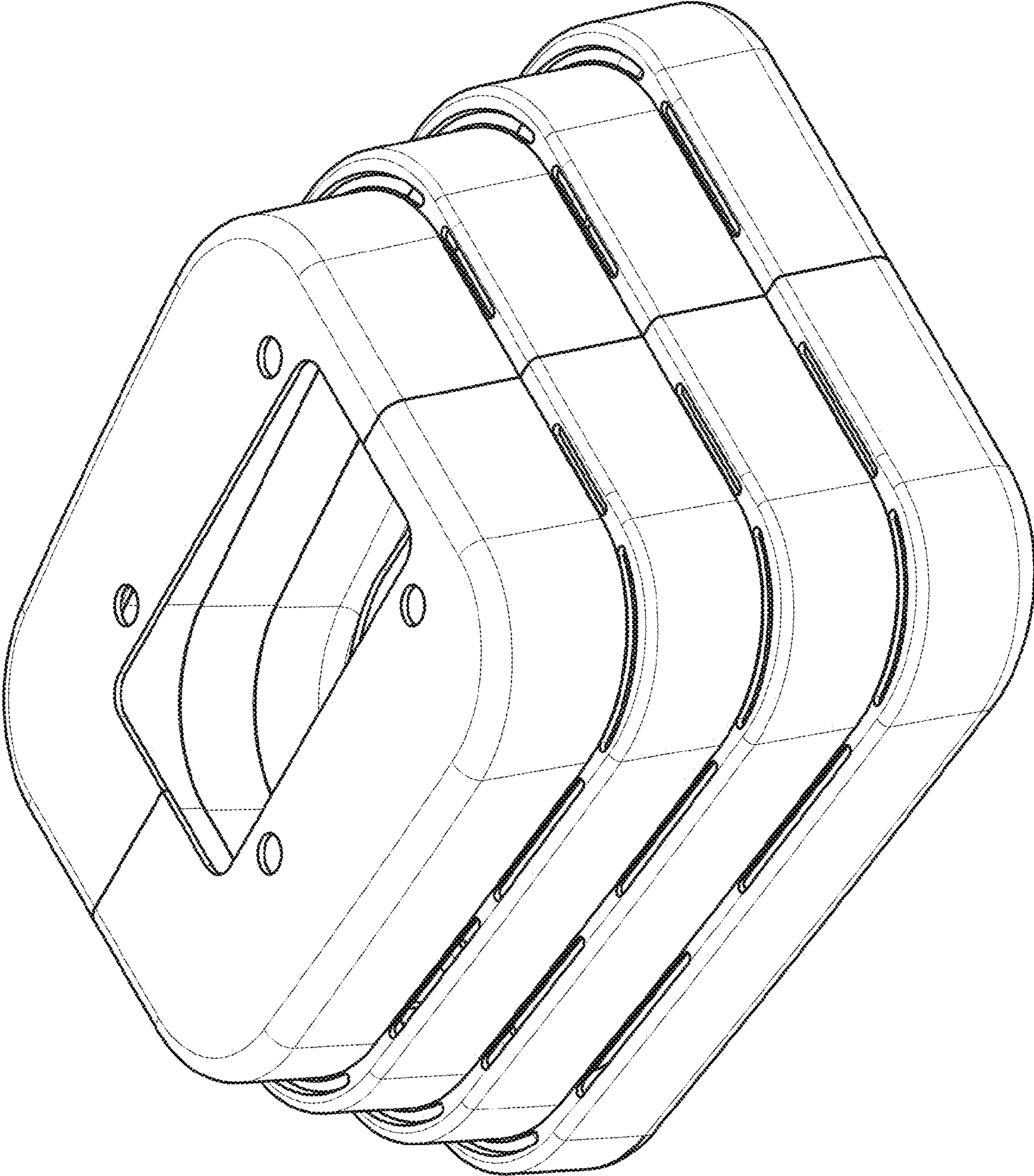


FIG. 8